

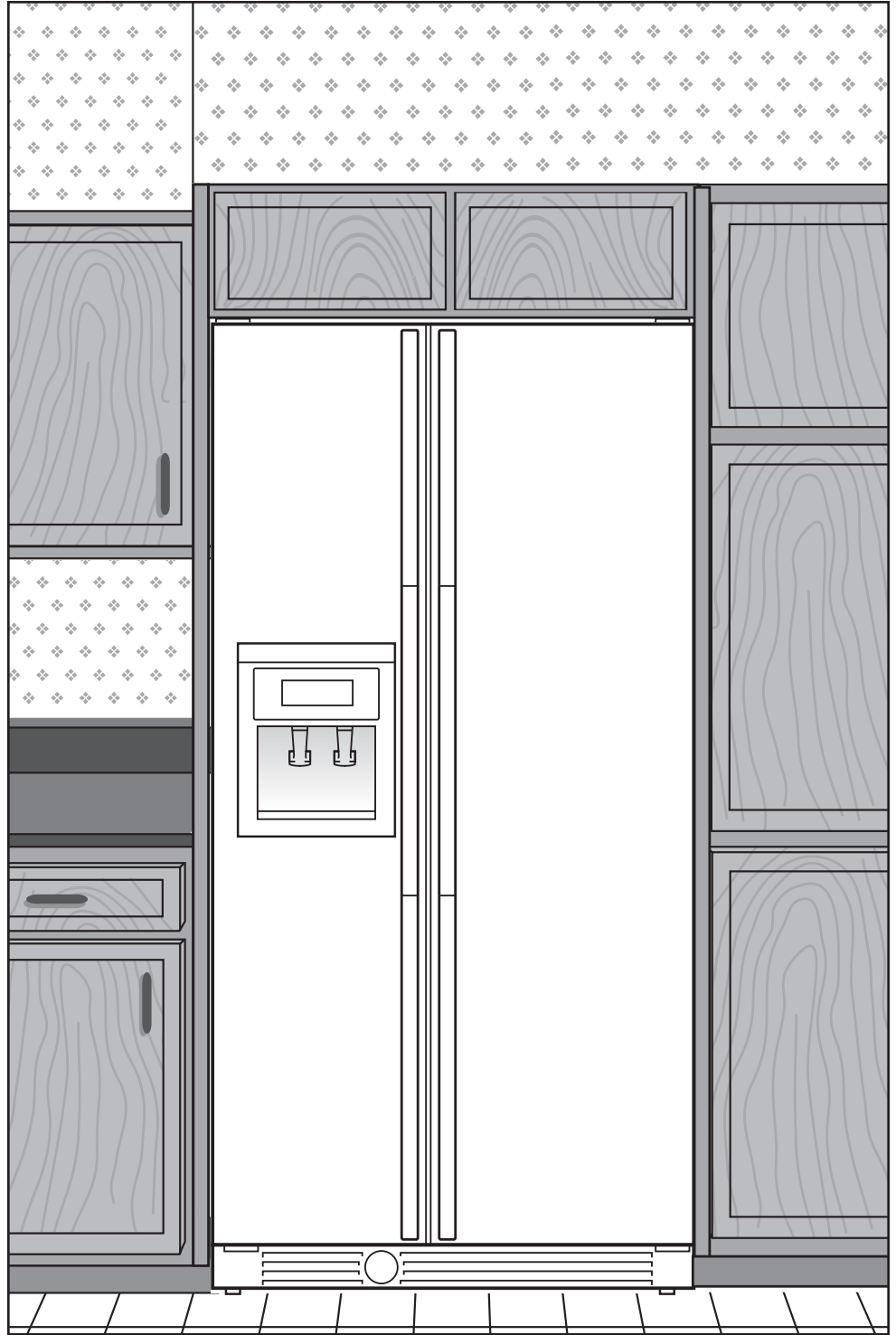
Installation Instructions

GOLD SERIES Counter-Depth Refrigerator

- Panel model
- Painted door model
- Wraparound stainless steel door model

Important:
Read and save
these instructions.

**Installation requires
2 or more people.**



www.whirlpool.com

Part No. 2210724

Important:

- **Installer:** Leave Installation Instructions with the homeowner.
- **Homeowner:** Keep Installation Instructions for future reference.
- **Save** these Installation Instructions for the local electrical inspector's use.



Before you start...

Your safety and the safety of others is very important.

We have provided many important safety messages in this manual and on your appliance. Always read and obey all safety messages.



This is the safety alert symbol. This symbol alerts you to hazards that can kill or hurt you and others. All safety messages will be preceded by the safety alert symbol and the word "DANGER" or "WARNING". These words mean:

DANGER

You **will** be killed or seriously injured if you don't follow instructions.

WARNING

You **can** be killed or seriously injured if you don't follow instructions.

All safety messages will identify the hazard, tell you how to reduce the chance of injury, and tell you what can happen if the instructions are not followed.

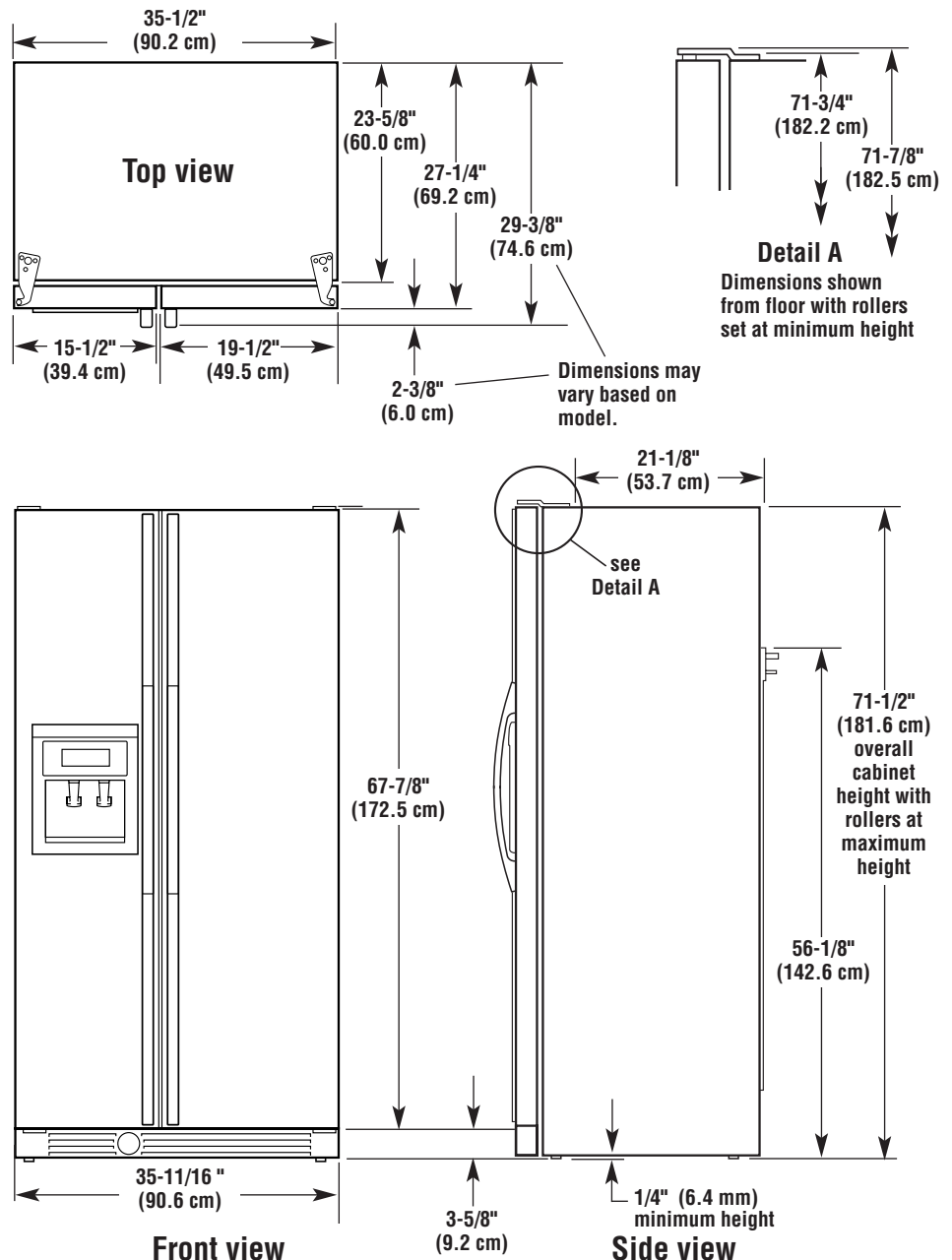
Keep cardboard shipping piece or plywood under refrigerator until it is installed in the operating position.

Important:
Observe all governing codes and ordinances.

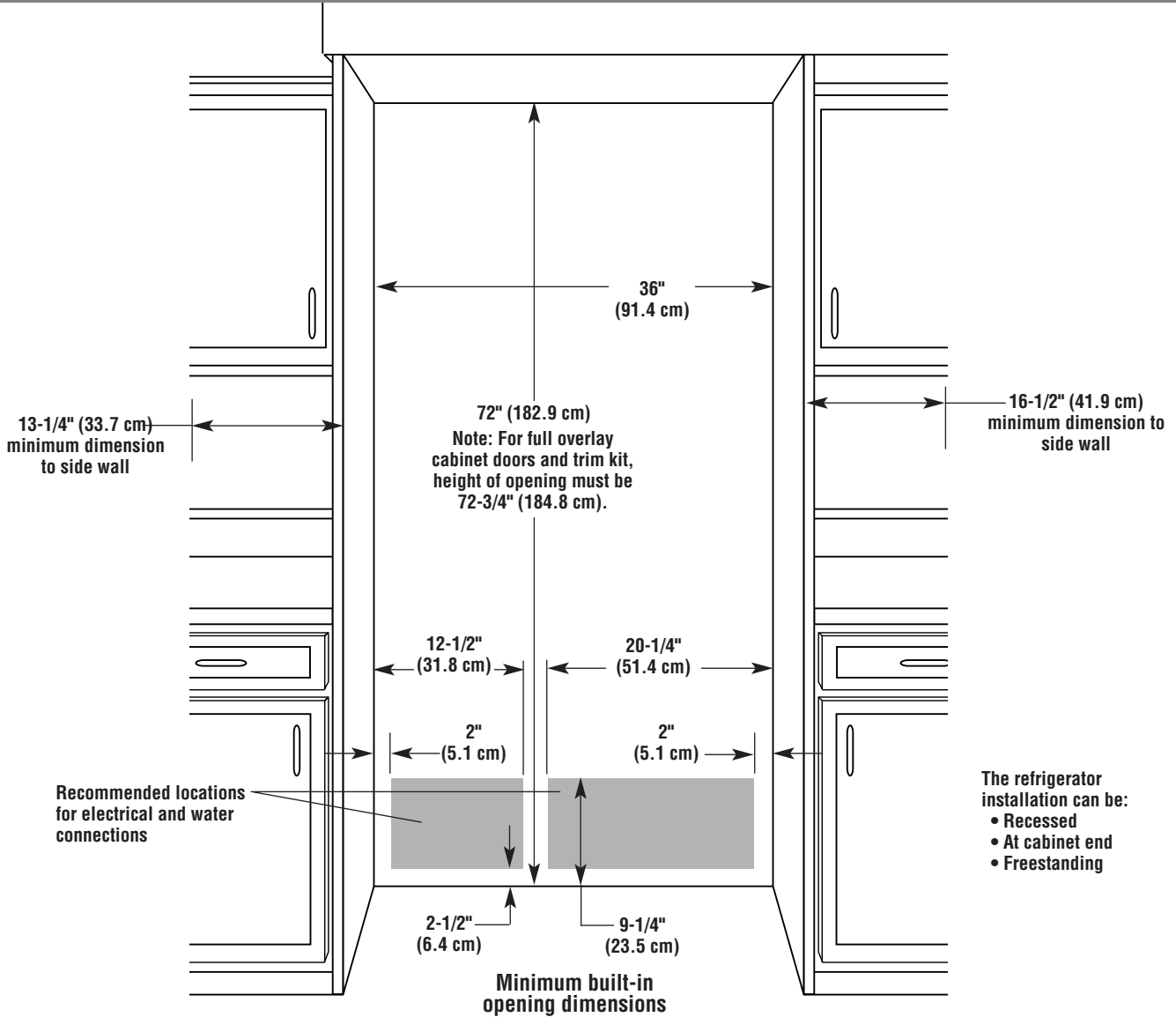
It is your responsibility to:

- Comply with installation specifications and dimensions.
- Properly install refrigerator.
- Remove any moldings or decorative panels that prevent the refrigerator from being serviced.
- Make sure that you have these materials necessary for proper installation:
 - 1/4" (6 mm) copper tubing with shutoff valve
 - 1/4" (6 mm) compression fitting (coupling)
 - Depending on water line connection (see Page 5), you may need:
 - 1/4" (6 mm) nut
 - 1/4" (6 mm) ferrule
- Assure that floor will support refrigerator weight including door panels, if used, and contents of at least 600 lb (272 kg).
- Provide a properly grounded electrical outlet.
- Assure that location will permit refrigerator doors to open fully (see Page 3).

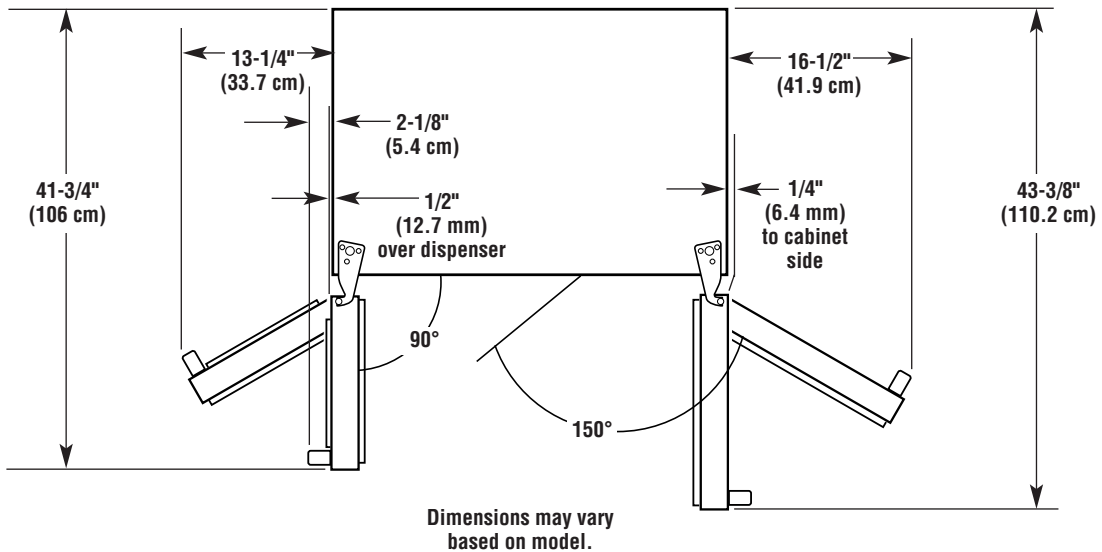
Product dimensions



Built-in opening requirements & dimensions



Door swing dimensions



Electrical & water supply requirements

Electrical requirements

! WARNING



Electrical Shock Hazard
Plug into a grounded 3-prong outlet.
Do not remove ground prong.
Do not use an adapter.
Do not use an extension cord.
Failure to follow these instructions can result in death, fire, or electrical shock.

Important: Observe all governing codes and ordinances.

If codes permit and a separate ground wire is used, it is recommended that a qualified electrician determine that the ground path is adequate.

Do Not ground to a gas pipe.

Check with a qualified electrician if you are not sure the refrigerator is properly grounded.

Do Not have a fuse in the neutral or ground circuit.

It is the customer's responsibility:

To contact a qualified electrical installer.

To assure that the electrical installation is adequate and in conformance with the National Electrical Code, ANSI/NFPA 70 — latest edition* or Canadian Electrical Code, C22.1-1982 and C22.2 No. 01982 (or latest edition), and all local codes and ordinances.**

A 120-volt, 60-Hz, AC-only, 15- or 20-ampere, fused, electrical supply is required. A time-delay fuse or circuit breaker is recommended. It is recommended that a separate circuit serving only this appliance be provided.

This appliance is equipped with a power supply cord having a 3-prong ground plug. To minimize possible shock hazard, the cord must be plugged into a mating 3-prong, ground-type outlet, grounded in accordance with the National Electrical Code, ANSI/NFPA 70 — latest edition* or Canadian Electrical Code, C22.1-1982 and C22.2 No. 01982 (or latest edition)**, and all local codes and ordinances. See Figure 1. If a mating outlet is not available, it is the personal responsibility and obligation of the customer to have a properly grounded 3-prong outlet installed by a qualified electrician.

Warning – Improper connection of the equipment-grounding conductor can result in a risk of electric shock. Check with a qualified electrician or serviceman if you are in doubt as to whether the appliance is properly grounded. Do not modify the plug provided with the appliance – if it will not fit the outlet, have a proper outlet installed by a qualified electrician.

Copies of the standard listed may be obtained from:

* National Fire Protection Association
One Batterymarch Park
Quincy, Massachusetts 02269

** Canadian Standard Association
178 Rexdale Boulevard
Etobicoke, Ontario M9W 1R3

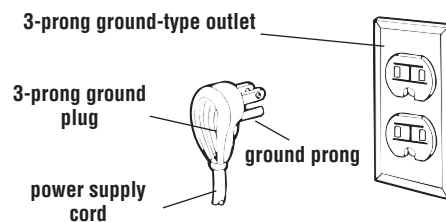


Figure 1

Water supply requirements

Use only 1/4" (6 mm) minimum copper tubing for water line.

Do Not install copper tubing in area where temperatures drop below 32°F (0°C).

Water line to refrigerator must provide 15-100 psi (103-690 kPa) water pressure.

Installation steps

Install new water line if required.

Calculate length of 1/4" (6 mm) O.D. copper tubing needed:

1. Locate a vertical 1/2" (1.3 cm) to 1-1/4" (3.2 cm) COLD water line near refrigerator area. A horizontal COLD water line can be used if directions in "To rough in water line" are carefully followed.

2. Measure distance from cold water line to refrigerator area. Add 24" (61 cm) to this measurement.

To rough in water line:

1. Turn OFF main water supply. Turn ON nearest faucet long enough to clear line of water.

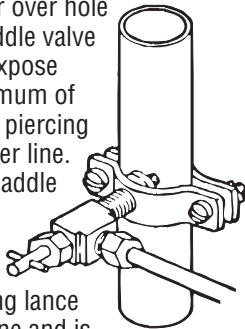
2. Vertical cold water line: Use grounded electric drill or hand drill to drill 3/16" (4.8 mm) hole in an easily accessible location in water line.

Horizontal cold water line:

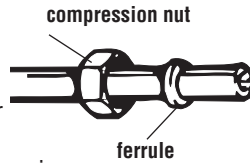
Use grounded electric drill or hand drill to drill 3/16" (4.8 mm) hole in the **top** of the water line. This will keep sediment from collecting in valve.

3. Position washer over hole in water line. Turn saddle valve handle clockwise to expose piercing lance a maximum of 3/16" (4.8 mm). Align piercing lance over hole in water line. Place both halves of saddle valve bracket against water line. Turn saddle valve handle clockwise until piercing lance enters hole in water line and is firmly seated. The saddle valve is not in the closed position. Tighten packing nut. Evenly and firmly tighten bracket screws so washer will make a water-tight connection.

Do Not overtighten screws; copper tubing could be crushed.



4. Check that both ends of copper tubing are cut square. Slide compression nut and sleeve onto copper tubing. Insert end of copper tubing completely into valve outlet. Tighten compression nut to outlet with adjustable wrench.



Do Not overtighten.

5. Turn on main water supply. Check for leaks. Turn saddle valve handle counterclockwise and run water through copper tubing and into a bucket. Turn saddle valve handle clockwise to shut off water to copper tubing.

6. Route copper tubing to refrigerator area.

⚠ WARNING

Excessive Weight Hazard
Use two or more people to move and install refrigerator.
Failure to do so can result in back or other injury.

Install refrigerator.

IMPORTANT

- All four leveling legs must contact the floor to support and stabilize the full weight of the refrigerator.
- Keep cardboard shipping piece or plywood under refrigerator until it is installed in operating position.

1. Remove and save literature package. Use 3/8-inch socket wrench to remove skids.

2. Remove tape and any labels from the refrigerator before using (except the model and serial number on the refrigerator side, top right corner.) To remove any remaining tape or glue, rub the area briskly with your thumb or a small amount of liquid dish soap. Wipe with warm water and dry.

Do not use sharp instruments, rubbing alcohol, flammable liquids or abrasive cleaners to remove tape or glue. These products can damage the surface of the refrigerator.

Do not remove any permanent instruction labels inside the refrigerator or the tech sheets that are fastened to the base grille.

Cleaning before use: After you remove all of the packaging materials, clean the inside of the refrigerator before use. See the cleaning instructions in the "Caring for your Refrigerator" section of the Use and Care Guide.

3. Place pieces of shipping carton or plywood on the floor when rolling dolly and refrigerator into the house. Move the refrigerator close to the refrigerator opening.

Connect water line to refrigerator.

4. Remove the shipping tape from gray, coiled water tubing on the rear of the refrigerator.

5. Before attaching copper tubing to refrigerator, flush at least 2 quarts (1.9 L) of water through the copper tubing and into a bucket to get rid of any particles in the water line.

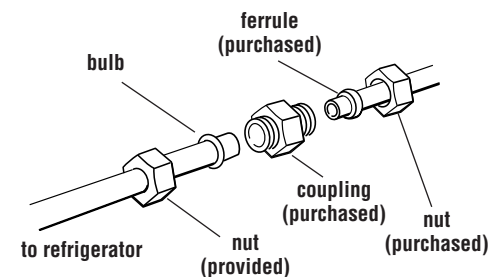
Check for leaks around saddle valve.

Do not overtighten clamp or sleeve. This will crush copper tubing.

Turn water valve off.

6. Make connection to refrigerator.

Style 1

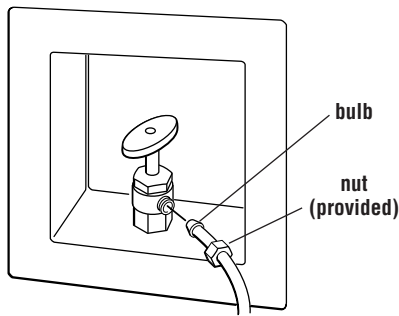


Slide the purchased nut then the purchased ferrule onto the tubing.

Push the tubing into the coupling as far as it will go. Slide the nut and ferrule forward and finger tighten the nut. Turn nut two (2) more turns with wrench.

Insert the bulb end of tubing into purchased coupling, slide nut down and finger tighten. Turn nut two (2) more turns with wrench.

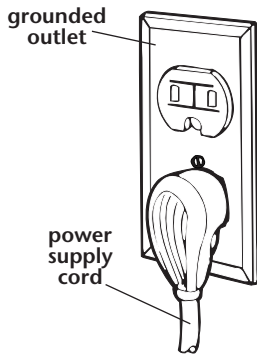
Style 2



Push the bulb end of the tubing into the water valve as far as it will go. Slide the nut forward and finger tighten. Tighten nut two (2) more turns with wrench.

Plug in refrigerator.

7. Plug power supply cord into grounded outlet.



8. Move refrigerator into final position.

Level refrigerator.

9. Remove base grille if it is installed.

- Open the refrigerator doors to 90°.

Style 1: Screw-on grille

- Find pockets located about 4 inches (10 cm) in from each end of grille. Use Phillips screwdriver to remove the screw found in each pocket.

Do Not remove the Tech Sheets fastened behind the grille.

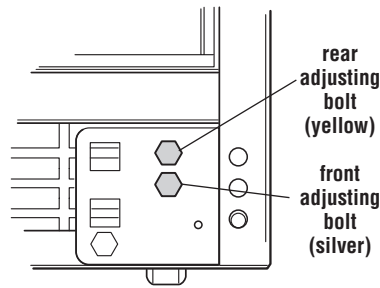
Style 2: Snap-on grille

- Grasp the grille with both hands. Lift up and tilt the top of the grill toward you.

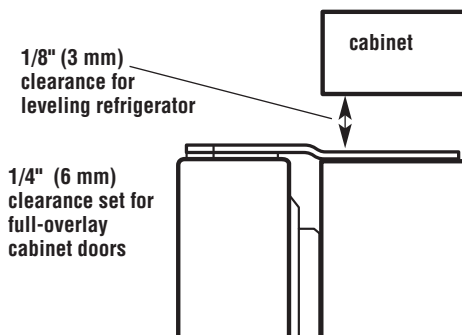
Do Not remove the Tech Sheets fastened behind the grille.

The roller adjusting bolts are located behind the base grille.

This refrigerator has 4 adjustable rollers (2 front and 2 rear). There are 2 sets of roller adjusting bolts found at the base of the refrigerator on each side. The yellow top bolt will adjust the rear roller and the silver bottom bolt will adjust the front roller.



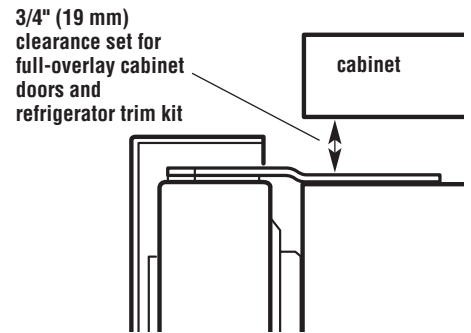
10. Use a 1/2" socket wrench to turn the roller adjusting bolts. Turning the bolt clockwise will raise the refrigerator and counterclockwise will lower the refrigerator. (NOTE: Be careful not to back the roller bolts out of the roller brackets when lowering the refrigerator. The bolt head will start to back out toward you when the roller is in its lowest position. If the screw does come out of the rear roller bracket, the compartment access cover on the back of the refrigerator will have to be removed to reinstall the bolt back into the nut.)



11. Adjust the front rollers to bring the refrigerator top parallel with the cabinet above the refrigerator; leave about 1/8" (3 mm) gap between the refrigerator top hinge and the cabinet. (If you do not have a cabinet above the refrigerator, adjust to make the top level.)

12. Adjust the rear bolts to bring the refrigerator level with the side cabinets or cabinet end panels.

13. If desired, the 4 rollers may now be raised to close the gap between the refrigerator top hinge and the cabinet opening. Check that all 4 rollers contact the floor and the cabinet doors above the refrigerator open fully.



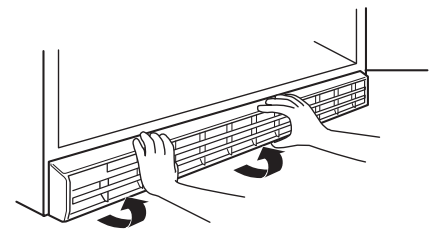
NOTE: Cabinets with full-overlay doors will require 1/4" (6 mm) additional clearance between the top hinge and cabinet to prevent the doors from hitting the hinge when opening. (If you have a trim/panel kit on the refrigerator doors, 3/4" (19 mm) additional clearance will be required to prevent the cabinet doors from interfering with the refrigerator door trims.)

14. Replace the base grille.

- Open the refrigerator doors to 90°.

Style 1: Screw-on grille

- Place the grille in front of the base grille area.
- Use a Phillips screwdriver and guide the screws through the grille holes and into the screw clips located in the corner plates on each side of the opening. Tighten screws securely.



Style 2: Snap-on grille

- Place the grille lower clips into the holes in the refrigerator panel. Roll the grille up toward the refrigerator until it snaps into place.

Parts that must be ordered separately or custom made

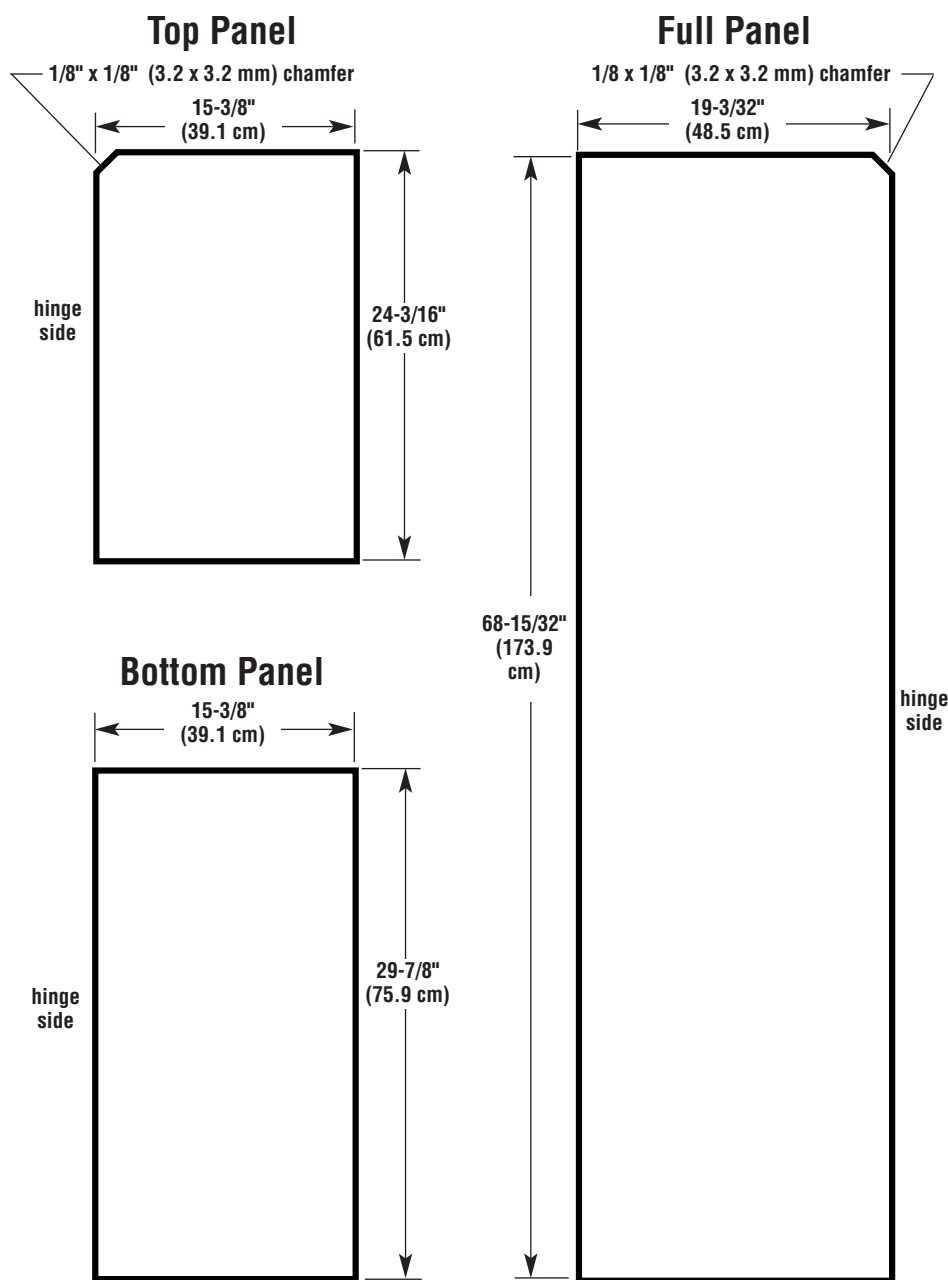
You can create panels by screwing or gluing wood panels to 1/4" plywood backing or by using 3/4" stock with routed edges.

Weight requirements for panel inserts:

- Refrigerator door panel should not exceed 28 lbs (12.7 kg).
- Freezer door panels should not exceed 21 lbs (9.5 kg).

These kits are available from your dealer. Complete installation instructions are included with each kit.

Dimensions for Decorator Panels



Cabinet side trim kits (fit refrigerator to cabinet face):

| Cabinet Color | Kit Number |
|---------------|------------|
| Stainless | 2208187S |
| White | 2208187W |
| Black | 2208187B |
| Biscuit | 2208187T |

Decorator door panel kits:

| Cabinet Color | Kit Number |
|---------------|------------|
| White | 8171405 |
| Black | 8171406 |
| Biscuit | 8171407 |

If refrigerator does not operate:

- Check that the circuit breaker is not tripped or the house fuse blown.
- Check that the power supply cord is plugged into the outlet.
- See Use and Care Guide for troubleshooting list.

If you need assistance:

If you have questions about operating, cleaning or maintaining your refrigerator:

- Refer to Use and Care Guide.
- Call the Consumer Assistance Center. Check your Use and Care Guide for the number to call or call the dealer from whom you purchased this appliance. The dealer is listed in the Yellow Pages of your phone directory under "Appliances — Household — Major — Service and Repair."

If you need service:

Maintain the quality built into your refrigerator by calling an authorized service company.

To obtain the name and number of the authorized service company:

- Contact the dealer from whom you purchased your refrigerator; or
- Look in the Yellow Pages of your telephone directory under "Appliances — Household — Major — Service and Repair;" or
- Call the Consumer Assistance Center. The number is listed in your Use and Care Guide.

When you call, you will need:

- The refrigerator model number.
- The refrigerator serial number.

Both numbers are listed on the model/serial rating plate located inside the refrigerator.



Instructions d'installation

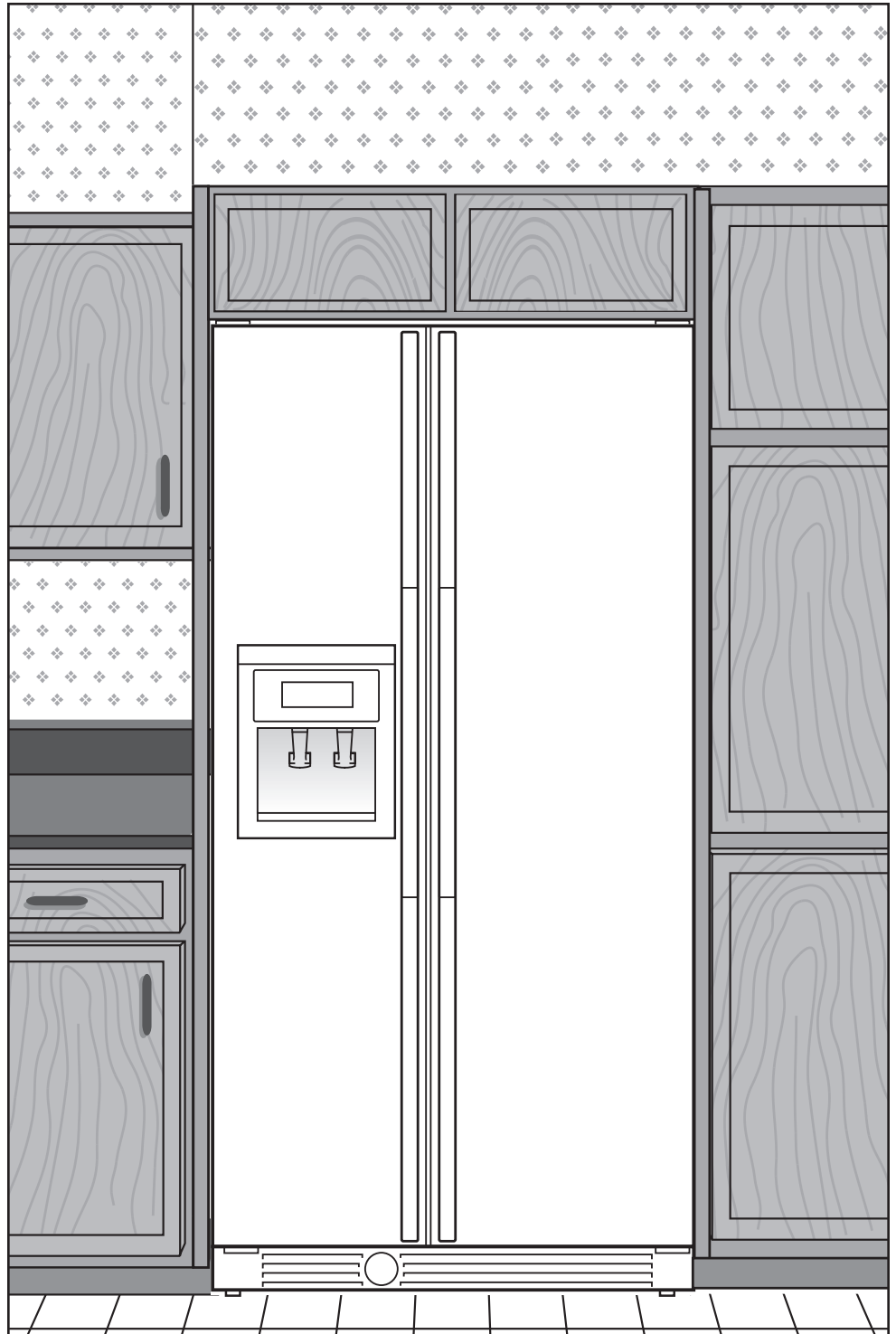
SÉRIE GOLD

Réfrigérateur - même profondeur que le comptoir

- Modèle à panneaux
- Modèle à portes peintes
- Modèle à portes enveloppantes d'acier inoxydable

Important:
Lire et conserver ces
instructions.

L'installation nécessite la
participation de deux
personnes ou plus.



www.whirlpool.com

Pièce n° 2210724

Important:

- **Installateur:** Remettre les instructions d'installation au propriétaire.
- **Propriétaire:** Conserver les instructions d'installation pour consultation ultérieure.
- **Conserver** les instructions d'installation pour consultation par l'inspecteur local des installations électriques.



Avant de commencer....

Votre sécurité et celle des autres, c'est très important.

Nous présentons de nombreux messages de sécurité importants dans ce manuel et sur votre appareil ménager. Vous devez lire tous les messages de sécurité et les respecter.



Ce symbole d'alerte-sécurité vous signale les dangers susceptibles de causer un décès ou des blessures graves. Tous les messages de sécurité seront précédés du symbole d'alerte-sécurité et du mot «DANGER» OU «AVERTISSEMENT». Ces mots signifient :

! DANGER

Risque certain de décès ou de blessure grave si vous ne respectez pas les instructions.

! AVERTISSEMENT

Risque possible de décès ou de blessure grave si vous ne respectez pas les instructions.

Chaque message de sécurité identifie le danger et indique comment réduire le risque de blessure, et indique ce qui peut se produire en cas de non-respect des instructions.

Laisser la plaque de contre-plaqué ou de carton d'emballage sous le réfrigérateur, jusqu'à son installation à la position de service.

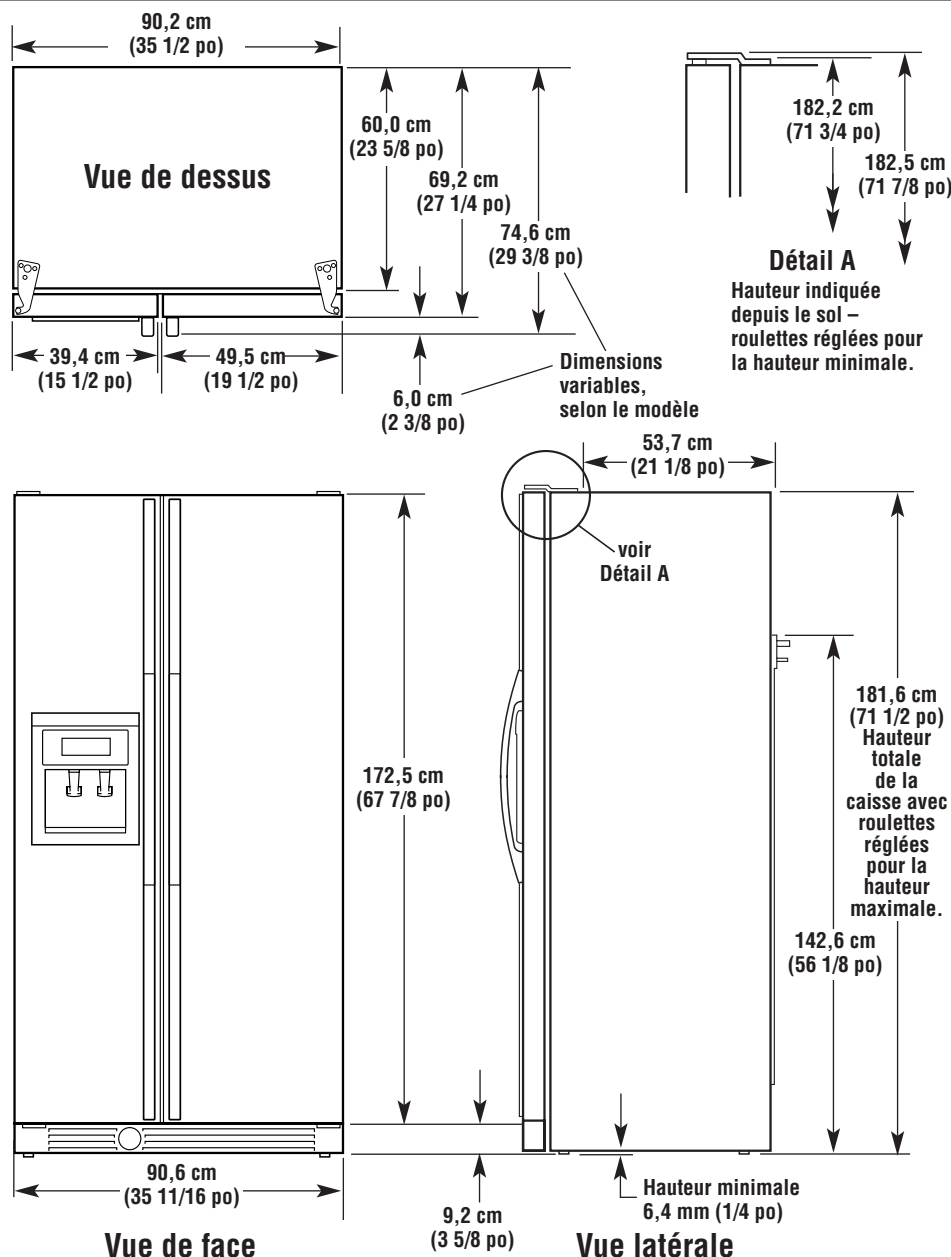
Important :

Observer les dispositions de tous les codes et règlements en vigueur.

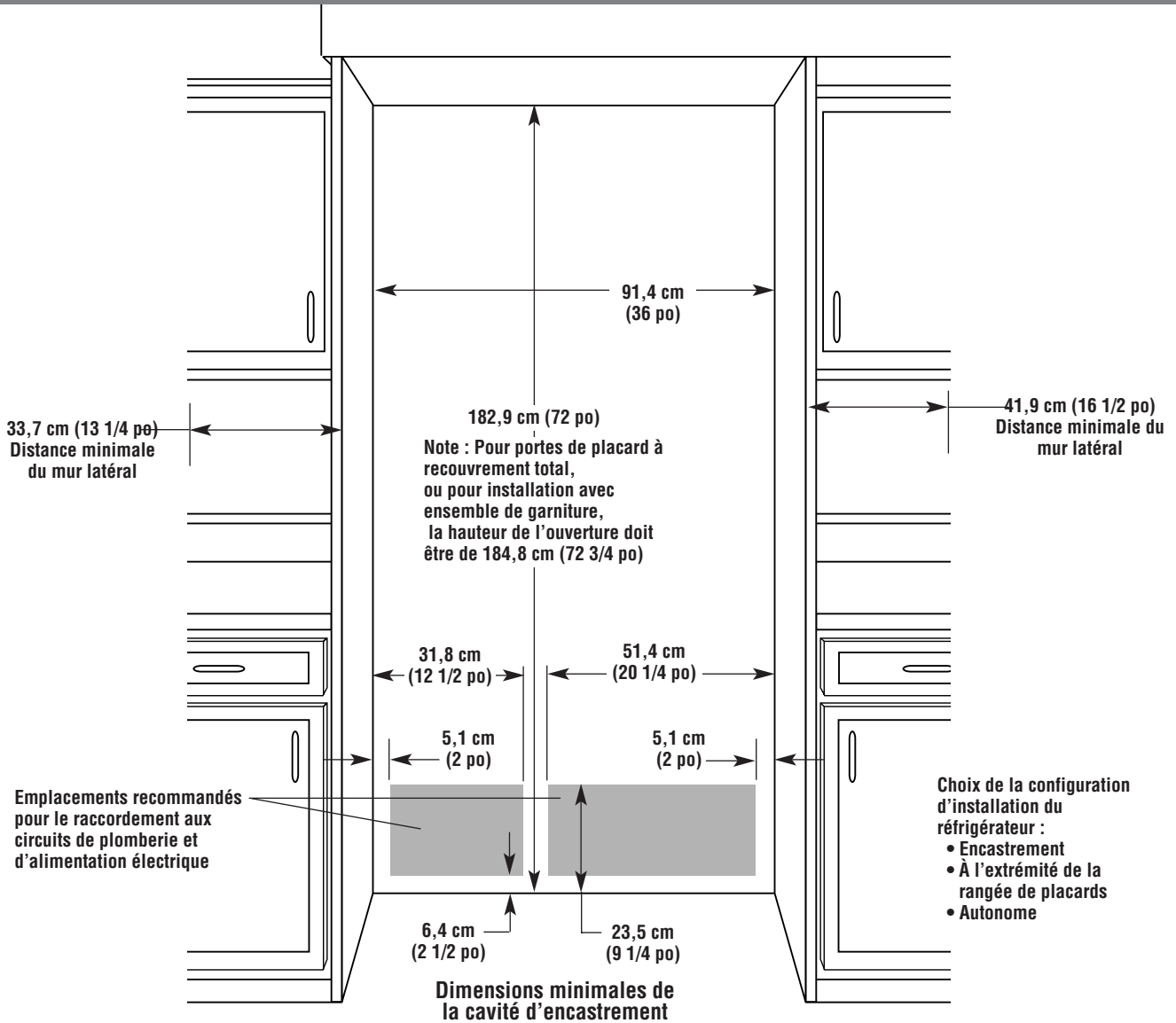
C'est à vous qu'incombe la responsabilité de :

- Respecter les spécifications d'installation et les dimensions indiquées.
- Installer correctement le réfrigérateur.
- Enlever tout panneau décoratif et toute moulure susceptible d'entraver l'accès au réfrigérateur pour l'entretien.
- Veiller à disposer des articles suivants pour réaliser une installation correcte.
 - tube de cuivre 1/4 po (6 mm) avec robinet d'arrêt
 - raccord à compression 1/4 po (6 mm)
 - selon la configuration de connexion à la canalisation d'eau (voir page 5), les pièces suivantes peuvent être nécessaires :
 - écrou de 1/4 po (6 mm)
 - virole de 1/4 po (6 mm)
- Vérifier que le plancher peut soutenir le poids du réfrigérateur lui-même et des panneaux de porte, et d'au moins 600 lb (272 kg) de contenu.
- Veiller à disposer d'une prise de courant électrique convenablement reliée à la terre.
- Vérifier que l'emplacement d'installation choisi permet l'ouverture totale des portes du réfrigérateur (voir page 3).

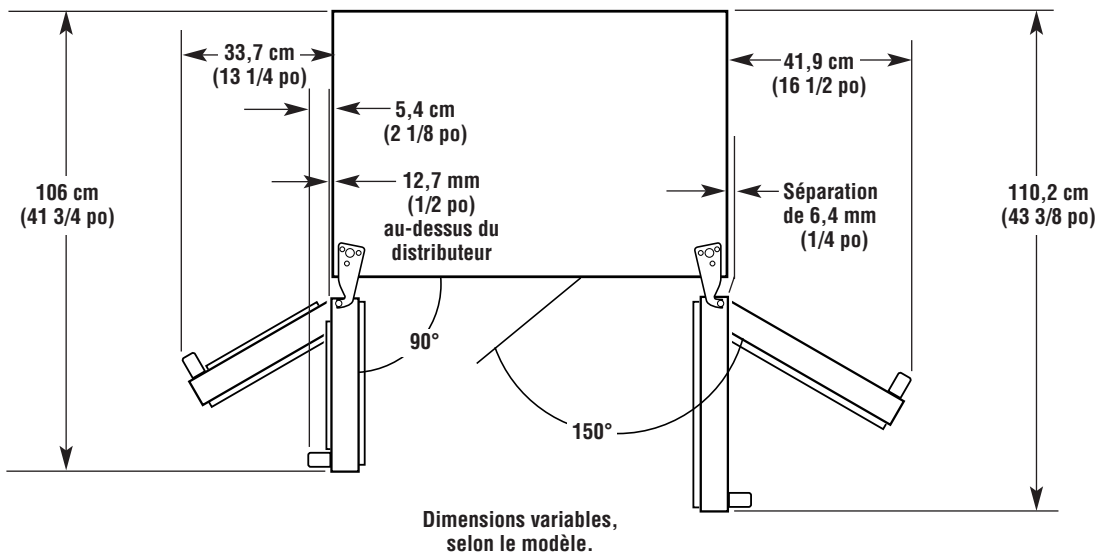
Dimensions du produit



Espace d'encastrement – dimensions



Dimensions pour l'ouverture des portes



Circuits de plomberie et d'électricité

Alimentation électrique

⚠️ AVERTISSEMENT



Risque de choc électrique

Brancher l'appareil sur une prise de courant à trois alvéoles reliée à la terre.

Ne pas enlever la broche de liaison à la terre de la fiche.

Ne pas utiliser un adaptateur.

Ne pas utiliser un câble de rallonge

Le non-respect de ces instructions peut provoquer un décès, un incendie ou un choc électrique.

Respecter les dispositions de tous les codes et règlements en vigueur :

Si un conducteur distinct de liaison à la terre est utilisé lorsque le code le permet, on recommande qu'un électricien qualifié vérifie que la liaison à la terre est adéquate.

Ne pas utiliser une tuyauterie de gaz pour la liaison à la terre.

En cas d'incertitude quant à la qualité de la liaison à la terre de la hotte, consulter un électricien qualifié.

Ne pas installer un fusible en série avec le conducteur neutre ou le conducteur de liaison à la terre.

C'est au client qu'incombe la responsabilité de :

Contacteur un électricien qualifié pour l'installation.

Veiller à ce que l'installation électrique soit réalisée d'une manière adéquate et en conformité avec les prescriptions du Code national des installations électriques ANSI/NFPA 70 - dernière édition*, ou des normes ACNOR C22.1-1982 / Code canadien de l'électricité et C22.2-1982 - dernière édition**, et avec les prescriptions de tous les codes et règlements locaux en vigueur.

L'appareil doit être alimenté uniquement par un circuit 120 V CA/60 Hz, protégé par un fusible de 15 A ou 20 A (on recommande l'utilisation d'un fusible temporisé). On recommande que cet appareil soit alimenté par un circuit indépendant.

Cet appareil est équipé d'un cordon d'alimentation doté d'une fiche de branchement à 3 broches, pour liaison à la terre. Pour minimiser le risque de choc électrique, le cordon doit être branché sur une prise de courant murale compatible, à 3 alvéoles, reliée à la terre, conformément aux dispositions de l'édition la plus récente de la norme ANSI/NFPA 70 ou des normes ACNOR C22.1-1982 / Code canadien de l'électricité et C22.2-1982, et aux prescriptions de tous les codes et règlements locaux en vigueur. Voir la figure 1. Si une prise de courant de même configuration n'est pas disponible, c'est au client qu'incombe la responsabilité et l'obligation personnelle de faire installer une prise de courant à 3 alvéoles convenablement reliée à la terre, par un électricien qualifié.

Avertissement – Le raccordement incorrect de l'équipement au conducteur de liaison à la terre peut susciter un risque de choc électrique. En cas de doute quant à la qualité de la liaison à la terre de l'appareil, consulter un électricien qualifié. Ne pas modifier la fiche de branchement fournie avec l'appareil – si sa configuration n'est pas compatible avec la prise de courant, demander à un électricien qualifié d'installer une prise de courant convenable.

On peut se procurer un exemplaire des normes mentionnées aux adresses suivantes :

* National Fire Protection Association
One Batterymarch Park
Quincy, Massachusetts 02269

** Canadian Standard Association
178 Rexdale Boulevard
Etobicoke, Ontario M9W 1R3

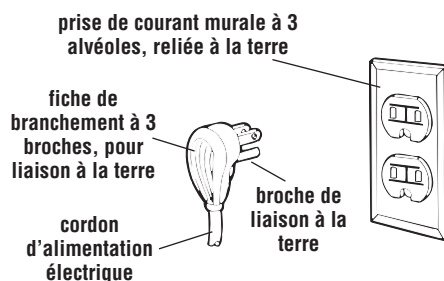


Figure 1

Alimentation en eau

Pour le circuit d'alimentation en eau, utiliser un tube de cuivre de diamètre 6 mm (1/4 po) ou plus.

Ne pas installer une canalisation de cuivre à un endroit où la température peut baisser au-dessous de 0°C (32°F)

La canalisation d'alimentation du réfrigérateur doit fournir une pression de 15-100 lb/po² (103-690 kPa).

Étapes de l'installation

Si nécessaire, installer la canalisation d'eau.

Calcul de la longueur nécessaire de tube de cuivre de 6 mm (1/4 po).

1. Identifier une canalisation d'eau froide verticale de 1,3 cm 1/2 po à 3,2 cm (1 1/4 po) au voisinage de l'emplacement d'installation du réfrigérateur. On peut aussi utiliser une canalisation d'eau FROIDE horizontale si on respecte scrupuleusement les instructions « Installation de la canalisation d'eau ».

2. Mesurer la distance entre la canalisation d'eau froide et le réfrigérateur. Ajouter 61 cm (24 po) à cette dimension.

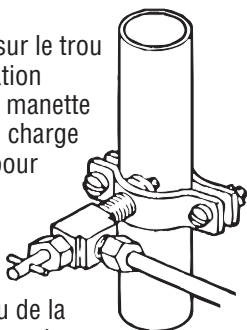
Installation de la canalisation d'eau :

1. Fermer le robinet principal d'alimentation. Ouvrir le robinet de puisage le plus proche pour purger la canalisation.

2. Canalisation d'eau froide verticale : Avec une perceuse électrique reliée à la terre ou une perceuse manuelle, percer un trou de 4,8 mm (3/16 po) en un endroit accessible de la canalisation d'alimentation.

Canalisation d'eau froide horizontale : À l'aide d'une perceuse électrique reliée à la terre ou d'une perceuse manuelle, percer un trou de 4,8 mm (3/16 po) **au sommet** de la canalisation d'eau; ainsi, les sédiments ne pourront s'accumuler dans le robinet de prise en charge.

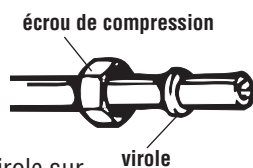
3. Placer un joint sur le trou percé dans la canalisation d'eau. Faire tourner la manette du robinet de prise en charge dans le sens horaire pour faire sortir le piton obturateur de 3/16 po (4,8 mm) au plus. Aligner le piton obturateur avec le trou de la canalisation d'eau. Placer les



deux moitiés de la bride de fixation contre la canalisation d'eau. Faire tourner la manette du robinet de prise en charge dans le sens horaire pour faire pénétrer le piton obturateur dans le trou, jusqu'à la position de butée. Le robinet de prise en charge est alors à la position de fermeture. Serrer l'écrou sur le joint de la manette. Serrer uniformément et fermement les vis de la bride de fixation pour que le joint placé précédemment forme une jonction étanche.

Ne pas trop serrer les vis; le tube de cuivre pourrait s'écraser.

4. Contrôler l'équerrage des deux extrémités du tube de cuivre. Enfiler l'écrou de compression et la virole sur le tube de cuivre. Serrer complètement l'extrémité du tube de cuivre dans le raccord de sortie du robinet. Serrer l'écrou de compression avec une clé à molette.



Ne pas serrer excessivement.

5. Ouvrir le robinet d'alimentation principal. Inspecter pour rechercher les fuites. Faire tourner la manette du robinet de prise en charge dans le sens antihoraire et laisser l'eau s'écouler à travers le tube de cuivre et dans un seau. Faire tourner la manette dans le sens horaire pour fermer le robinet de prise en charge.

6. Acheminer le tube de cuivre jusqu'au réfrigérateur.

⚠️ AVERTISSEMENT

Danger - Poids excessif

Deux personnes ou plus doivent participer aux opérations de déplacement du réfrigérateur.

Le non-respect de cette instruction peut susciter une blessure au dos ou d'autres blessures.

Installation du réfrigérateur.

IMPORTANT

- **Pour une bonne stabilisation du poids du réfrigérateur, il faut que les quatre pieds soient en contact avec le sol.**
- **Laisser la plaque de contre-plaqué ou de carton d'emballage sous le réfrigérateur, jusqu'à son installation à la position de service.**

1. Conserver en lieu sûr les documents fournis avec le réfrigérateur. Utiliser une clé à douille de 3/8 po pour enlever les patins placés sous le réfrigérateur.

2. Avant l'emploi, enlever les rubans adhésifs et toute étiquette placée sur le réfrigérateur (sauf la plaque signalétique, sur le côté du réfrigérateur, dans l'angle supérieur droit). Pour enlever tout résidu d'adhésif ou de colle, frotter la zone concernée avec le pouce; utiliser éventuellement un peu de détergent à vaisselle liquide; essuyer ensuite avec de l'eau tiède, et laisser sécher.

Pour éliminer les résidus d'adhésif ou de colle, ne pas utiliser un instrument acéré, de l'alcool à friction, un liquide inflammable ou un produit de nettoyage abrasif; ces produits peuvent endommager la surface du réfrigérateur.

N'enlever aucune étiquette d'instructions permanente à l'intérieur du réfrigérateur, ni les fiches techniques fixées sur la grille de la base.

Nettoyage avant l'utilisation : Après avoir enlevé tous les matériaux d'emballage, nettoyer l'intérieur du réfrigérateur avant l'emploi. Voir les instructions de nettoyage à la section « Entretien du réfrigérateur » dans le Guide d'utilisation et d'entretien.

3. Pour les déplacements du réfrigérateur sur un chariot dans la maison, placer sur le sol une planche de contre-plaqué ou des panneaux de carton de l'emballage. Approcher le réfrigérateur de l'ouverture de la cavité d'encastrement.

Raccordement de la canalisation d'eau au réfrigérateur.

4. Enlever le ruban adhésif sur le tube d'arrivée d'eau gris en spirale à l'arrière du réfrigérateur.

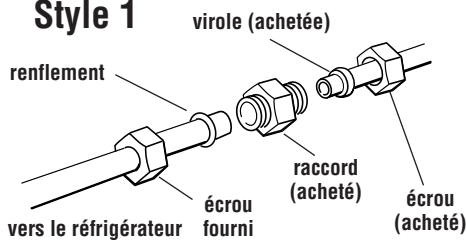
5. Avant de raccorder le tube de cuivre au réfrigérateur, laisser couler environ 2 litres d'eau à travers le tube de cuivre et dans un seau pour éliminer toutes les particules éventuellement présentes dans la canalisation.

Inspecter pour rechercher les fuites au voisinage du robinet de prise en charge. Ne pas serrer excessivement la bride de fixation du robinet pour ne pas écraser le tube de cuivre.

Fermer le robinet de prise en charge.

6. Raccordement au réfrigérateur.

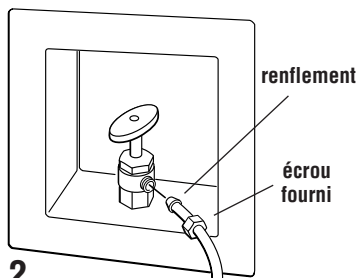
Style 1



Enfiler sur le tube l'écrou acheté, puis la virole achetée. Enfoncer le tube dans le raccord jusqu'à la position de butée.

Faire glisser la virole et l'écrou vers le raccord, et visser l'écrou à la main; serrer ensuite de deux tours de plus avec une clé.

Insérer dans le raccord l'extrémité renflée de l'autre section de tube; placer ensuite l'écrou et serrer à la main; serrer de deux tours de plus avec une clé.

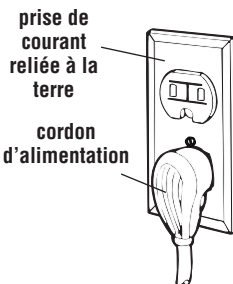


Style 2

Enfoncer l'extrémité renflée du tube dans le robinet, jusqu'à la position de butée. Placer l'écrou et serrer à la main; serrer ensuite de deux tours de plus avec une clé.

Branchement du réfrigérateur.

7. Brancher la fiche du cordon d'alimentation sur la prise de courant reliée à la terre



8. Déplacer le réfrigérateur jusqu'à sa position de service finale.

Aplomb du réfrigérateur.

9. Enlever la grille de la base si elle est installée.

- Ouvrir les portes du réfrigérateur à 90°.

Style 1 : Grille vissée

- Identifier les logements/cavités à environ 10 cm (4 po) de chaque extrémité de la grille. Avec un tournevis Phillips, enlever la vis de chaque logement.

Ne pas enlever les fiches techniques fixées derrière la grille.

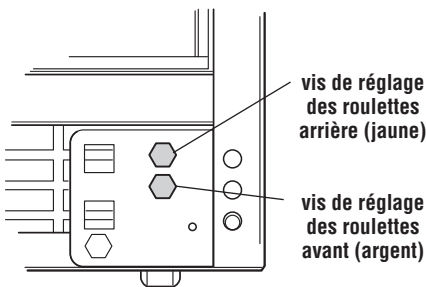
Style 2 : Grille emboîtée

- Saisir la grille avec les deux mains. Soulever la grille, et incliner le sommet vers l'extérieur du réfrigérateur.

Ne pas enlever les fiches techniques fixées derrière la grille.

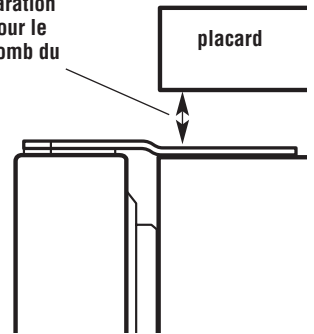
Les vis de réglage des roulettes sont accessibles derrière la grille de la base.

Ce réfrigérateur comporte 4 roulettes réglables (2 à l'avant et 2 à l'arrière). Il y a 2 paires de vis de réglage des roulettes (de part et d'autre de la base du réfrigérateur). Les vis supérieures jaunes permettent le réglage des roulettes arrière; les vis inférieures de couleur argent permettent le réglage des roulettes avant.



10. Faire tourner les vis de réglage des roulettes avec une clé à douille de 1/2 po. La rotation dans le sens horaire provoque le soulèvement du réfrigérateur; la rotation dans le sens antihoraire provoque l'abaissement du réfrigérateur. (NOTE : Lors de l'abaissement du réfrigérateur, veiller à ne pas faire sortir les vis de réglage des roulettes arrière hors de l'écrou de vissage. Lorsque la roulette est à sa position la plus basse, la tête de la vis commence à se déplacer en sortant du réfrigérateur. Si la vis sort de l'écrou de vissage, il faudra enlever le couvercle d'accès au compartiment arrière du réfrigérateur pour réinstaller la vis dans l'écrou.)

distance de séparation 3 mm (1/8 po) pour le réglage de l'aplomb du réfrigérateur

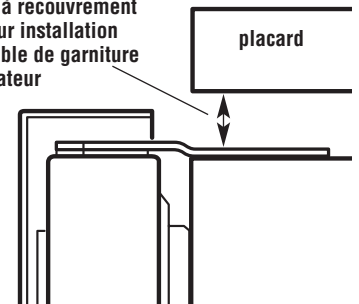


11. Ajuster la position des roulettes avant pour que le sommet du réfrigérateur soit parallèle au fond du placard situé au-dessus; laisser un espace libre d'environ 1/8 po (3 mm) entre la charnière supérieure du réfrigérateur et le placard mural. (S'il n'y a pas de placard au-dessus du réfrigérateur, ajuster l'aplomb pour que le sommet soit horizontal.)

12. Ajuster la position des roulettes arrière pour que le réfrigérateur soit parallèle aux placards latéraux ou aux panneaux d'extrémité.

13. Si on le souhaite, on peut ensuite déployer un peu plus les 4 roulettes pour minimiser l'espace libre entre la charnière supérieure du réfrigérateur et le placard mural. Vérifier que les 4 roulettes sont en contact avec le sol, et que les portes du placard peuvent librement manœuvrer au-dessus du réfrigérateur.

espace libre de 19 mm (3/4 po) pour porte de placard à recouvrement total ou pour installation de l'ensemble de garniture du réfrigérateur



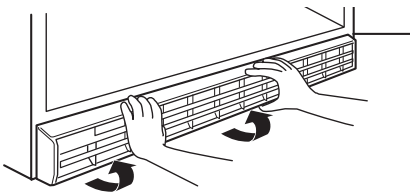
REMARQUE : Si les placards sont dotés de portes à recouvrement total, il faudra prévoir 6 mm (1/4 po) d'espace libre additionnel entre la charnière supérieure du réfrigérateur et le placard pour que la porte du placard ne heurte pas la charnière du réfrigérateur. (Si on installe des panneaux décoratifs ou une garniture sur le réfrigérateur, on devra prévoir un espace libre additionnel de 19 mm (3/4 po) pour que les portes du placard ne puissent heurter les éléments de garniture des portes du réfrigérateur.)

14. Réinstaller la grille de la base.

- Ouvrir les portes du réfrigérateur à 90°.

Style 1 : Grille vissée

- Placer la grille devant son emplacement d'installation.
- Utiliser un tournevis Phillips; guider les vis dans les trous de la grille et dans les écrous mobiles placés sur les plaques des angles, de part et d'autre de l'ouverture. Bien serrer les vis.



Style 2 : Grille emboîtable

- Placer les agrafes inférieures de la grille dans les trous du panneau de réfrigérateur. Faire pivoter le haut de la grille vers le réfrigérateur pour provoquer l'emboîtement.

Pièces à commander séparément ou à faire fabriquer

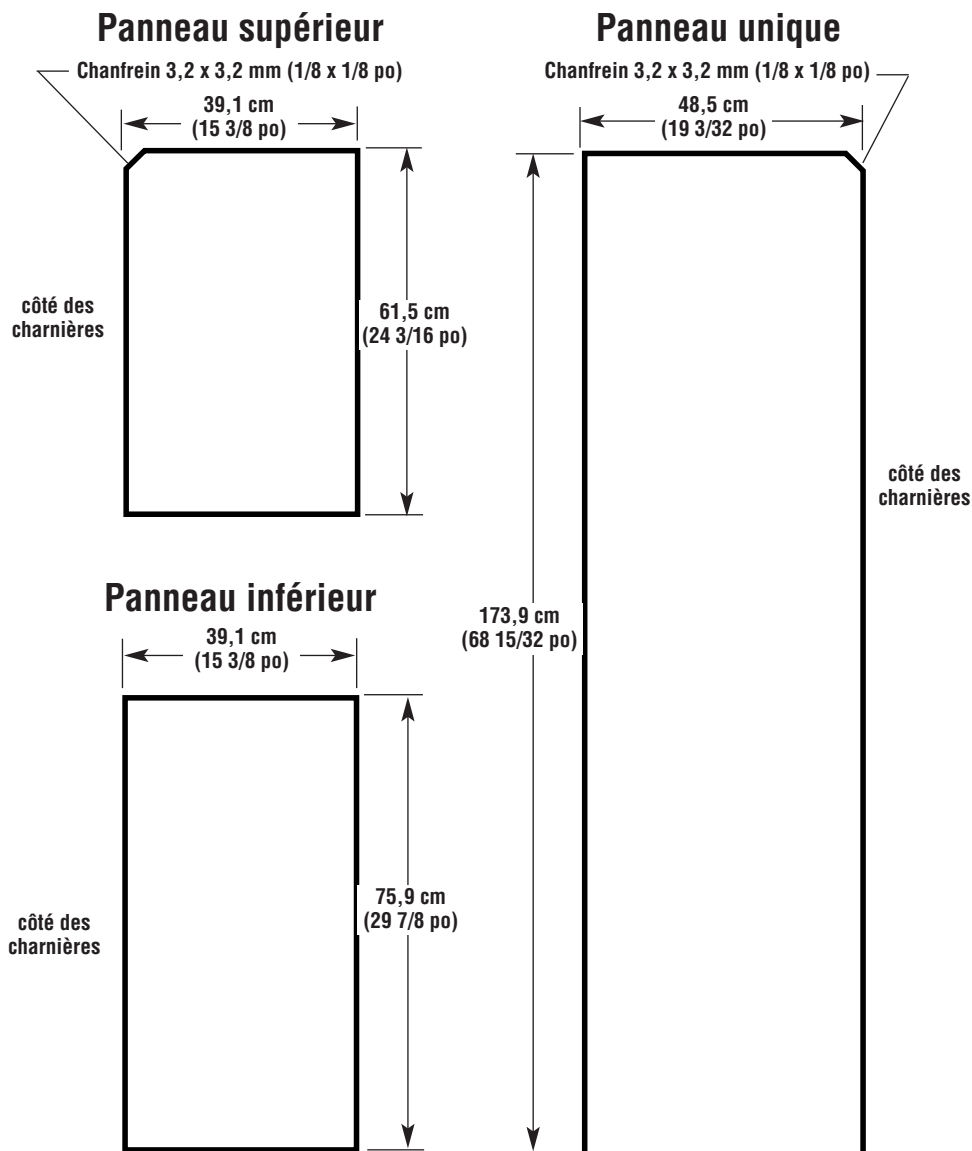
On peut réaliser les panneaux décoratifs par vissage ou collage sur une plaque d'endos de contre-plaqué de 1/4 po, ou par usinage à la toupie dans un panneau de 3/4 po.

Limite de poids pour les panneaux décoratifs :

- Le poids des panneaux décoratifs placés sur la porte du réfrigérateur ne doit pas dépasser 12,7 kg (28 lb).
- Le poids des panneaux décoratifs placés sur la porte du congélateur ne doit pas dépasser 9,5 kg (21 lb).

Ces ensembles (option) sont disponibles chez le détaillant. Les instructions d'installation complètes sont fournies avec chaque ensemble.

Dimensions des panneaux décoratifs



Ensemble de garniture (entre réfrigérateur et façade des placards) :

| Couleur du réfrigérateur | Produit numéro |
|--------------------------|----------------|
| Acier inox | 2208187S |
| Blanc | 2208187W |
| Noir | 2208187B |
| Biscuit | 2208187T |

Panneaux décoratifs :

| Couleur du réfrigérateur | Produit numéro |
|--------------------------|----------------|
| Blanc | 8171405 |
| Noir | 8171406 |
| Biscuit | 8171407 |

Si le réfrigérateur ne fonctionne pas :

- Vérifier que le circuit est alimenté : fusible grillé ou disjoncteur ouvert?
- Vérifier que le cordon d'alimentation est correctement branché sur la prise de courant.
- Consulter la section « Dépannage » du Guide d'utilisation et entretien .

Si une assistance est nécessaire :

Pour toute question concernant nettoyage, entretien ou utilisation du réfrigérateur :

- Consulter le Guide d'utilisation et entretien.
- Contacter le Centre d'assistance à la clientèle. On trouve le numéro de téléphone dans le Guide d'utilisation et entretien; ou bien contacter le détaillant chez qui l'appareil a été acheté. On trouve les coordonnées des détaillants dans l'annuaire téléphonique local Pages jaunes à la rubrique « Appareils ménagers – Gros – Entretien et réparations. »

Si une réparation est nécessaire :

Contactez une entreprise de service après-vente agréée pour préserver la qualité intrinsèque du réfrigérateur :

Pour obtenir les coordonnées d'une entreprise de service après-vente agréée :

- Contacter le détaillant chez qui le réfrigérateur a été acheté; ou
- Consulter l'annuaire téléphonique local Pages jaunes à la rubrique « Appareils ménagers – Gros – Entretien et réparations; » ou
- Contacter le Centre d'assistance à la clientèle. On trouve le numéro de téléphone dans le Guide d'utilisation et entretien.

Lors de la prise de contact, vous devrez communiquer l'information suivante :

- Numéro de modèle du réfrigérateur.
- Numéro de série du réfrigérateur.

On trouve ces deux numéros sur la plaque signalétique, à l'intérieur du réfrigérateur.

