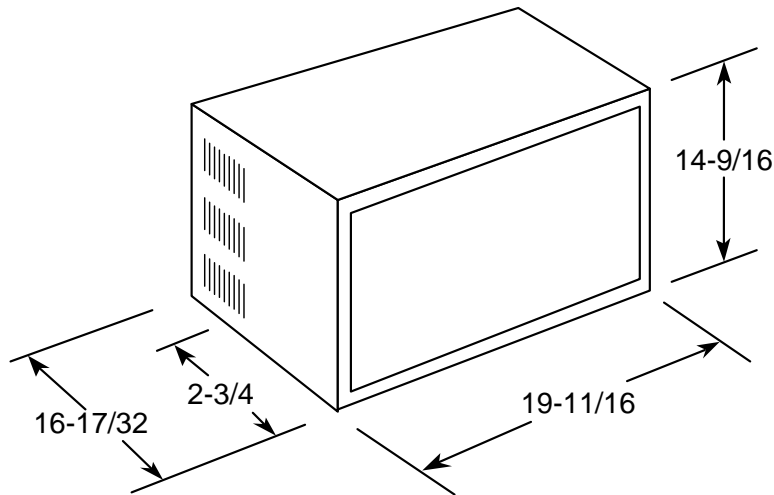




GE Appliances

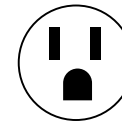
## AQV05LA—Value 115 Volt Room Air Conditioner

### Wall Case Dimensions (in inches)



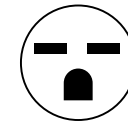
**Note:** When installing units in through-the-wall applications, keep louvers free. Do not restrict air flow areas. Carry-Cool® units are not designed for through-the-wall applications.

Parallel



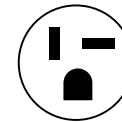
115V  
15 Amp

Tandem



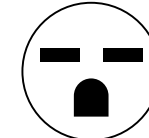
230/208V  
15 Amp

Perpendicular



230/208V  
20 Amp

Large Tandem



230/208V  
30 Amp

**Wall Outlets:** All wiring including installation of receptacle must be made in accordance with local electrical codes and regulations. Electrical outlet should be in reach of line cord.

**Note:** Aluminum wiring may pose special problems—consult a qualified electrician.

For answers to your GE appliance questions, call GE Answer Center® service, 800.626.2000.



Total capacity and E.E.R. ratings are calculated based on the Association of Home Appliance Manufacturers' standards.

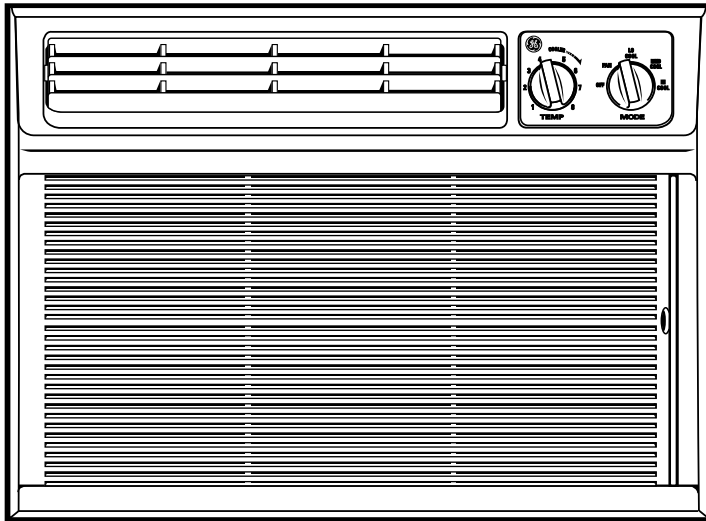


Listed by Underwriters Laboratories



*GE Appliances*

## AQV05LA—Value 115 Volt Room Air Conditioner



### Features and Benefits

- Contemporary White Front
- 5,000 BTUH, 9.0 EER, 115 Volts
- 8-Position Thermostat
- 3 Cooling/1 Fan Speeds
- EZ Installation
- Slide-Out Filter for Easy Cleaning
- Fixed Chassis
- Plug Type—Parallel