
OWNER'S GUIDE

READ AND SAVE THESE INSTRUCTIONS

REFRIGERATOR

Product Registration

This **Owner's Guide** will instruct you on how to properly operate and care for your product. Please read through the information contained in your literature pack to learn more about your new appliance.

Record Your Model and Serial Numbers

Record Model No. and Serial No. of this refrigerator in the spaces provided below. These numbers are found on serial plate located on ceiling of refrigerator compartment.

Model No. _____

Serial No. _____

Register Your Product

The self-addressed PRODUCT REGISTRATION CARD should be filled in completely, signed, and returned to Electrolux Home Products.

Contents

This Owner's Guide provides specific operating instructions for your model. Use refrigerator only as instructed in this Owner's Guide.

Versión en español

Si desea obtener una copia en español de este Manual del Usuario, sírvase escribir a la dirección que se incluye a continuación. Solicite la P/N 218716900.

Spanish Owner's Guides
Electrolux Home Products
P. O. Box 212378
Augusta, Georgia 30917

2	Product Registration
3	Important Safety Instructions
3	For Your Safety
3	Child Safety
3	Electrical Information
3	Other Precautions
4	First Steps
4	Location
4	Installation
4	Door Opening
4	Leveling
4	Cleaning
5	Energy Saving Ideas
5	Setting Controls
5	Cool Down Period
5	Refrigerator Control
5	Freezer Control
6	Fresh Food Storage
7-8	Care and Cleaning
7	Inside
7	Outside
7	Replacing Light Bulb
8	Vacation and Moving Tips
8	Automatic Ice Maker
8	Ice Maker Tips
9	Removing Handles and Doors
10-14	Avoid Service Checklist
15	Normal Operating Sounds
16	Warranty
17	Service Information in Canada

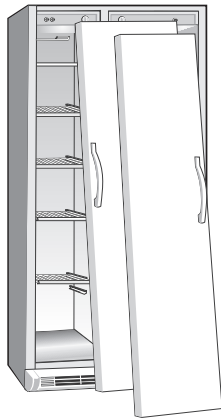
Important Safety Instructions

Proper Disposal of Your Refrigerator/Freezer

⚠ WARNING Risk of child entrapment. Child entrapment and suffocation are not problems of the past. Junked or abandoned refrigerators or freezers are still dangerous — even if they will sit for "just a few days." If you are getting rid of your old refrigerator or freezer, please follow the instructions below to help prevent accidents.

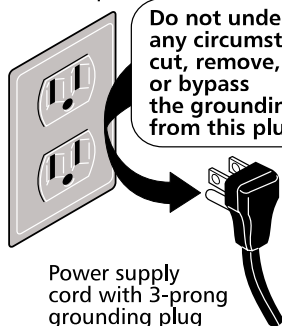
BEFORE YOU THROW AWAY YOUR OLD REFRIGERATOR/FREEZER:

- Remove doors.
- Leave shelves in place so children may not easily climb inside.



⚠ WARNING Avoid fire hazard or electric shock. Do not use an extension cord or an adapter plug. Do not remove any prong from power cord.

Grounding type wall receptacle



Power supply cord with 3-prong grounding plug

Read all instructions before using this refrigerator.

FOR YOUR SAFETY

Do not store or use gasoline or other flammable vapors and liquids in vicinity of this or any other appliance. Read product labels for flammability and other warnings.

⚠ WARNING Child Safety

- Destroy carton, plastic bags, and any exterior wrapping material immediately after the refrigerator is unpacked. Children should never use these items for play. Cartons covered with rugs, bedspreads, plastic sheets or stretch wrap may become airtight chambers and can quickly cause suffocation.
- Remove all staples from the carton. Staples can cause severe cuts and destroy finishes if they come in contact with other appliances or furniture.
- An empty, discarded ice box, refrigerator or freezer is a very dangerous attraction to children. **Remove the door of any appliance that is not in use, even if it is being discarded.**

⚠ WARNING Electrical Information

These guidelines must be followed to ensure that safety mechanisms in the design of this refrigerator will operate properly.

- **The refrigerator must be plugged into its own 115 Volt, 60 Hz, AC only electrical outlet.** The power cord of the appliance is equipped with a three-prong grounding plug for your protection against shock hazards. It must be plugged directly into a properly grounded three-prong receptacle. The receptacle must be installed in accordance with local codes and ordinances. Consult a qualified electrician. **DO NOT USE AN EXTENSION CORD OR AN ADAPTER PLUG.**
- If voltage varies by 10 percent or more, performance of your refrigerator may be affected. Operating the refrigerator with insufficient power can damage the compressor. Such damage is not covered under your warranty. If you suspect your voltage is high or low, consult your power company for testing.
- To prevent the refrigerator from being turned off accidentally, do not plug the unit into an outlet controlled by a wall switch or pull cord.
- Do not pinch, knot, or bend the power cord in any manner.

⚠ WARNING Other Precautions

- Never unplug the refrigerator by pulling on the power cord. Always grip the plug firmly and pull straight out from the receptacle.
- To avoid electrical shock, unplug the refrigerator before cleaning and before replacing a light bulb. **Note:** Turning the control to OFF turns off the compressor, but does not disconnect power to the light bulb or other electrical components.
- Do not operate the refrigerator in the presence of explosive fumes.
- If your refrigerator has an automatic ice maker, avoid contact with any moving parts.

First Steps

Before starting refrigerator, follow these important first steps:

Location

- Choose a place near a grounded electrical outlet. DO NOT use an extension cord or adapter plug.
- If possible, place refrigerator out of direct sunlight, and away from range, dishwasher, or other heat sources.
- Refrigerator must be installed on a floor that is level and strong enough to support a fully loaded refrigerator.
- Consider water supply availability for models equipped with an automatic ice maker.

Installation

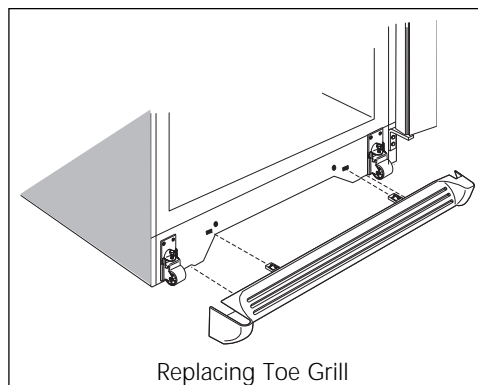
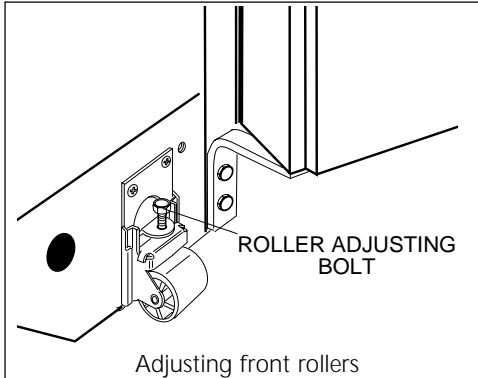
- Do not install refrigerator where temperature will drop below 60°F (15°C) or rise above 110°F (43°C). Compressor will not be able to maintain proper temperatures.
- In a recessed installation, allow an extra 1/2 inch (10-15 mm) on each side for ease of installation.
- If hinge side of unit will be placed against a wall, allow a 1 3/4 inch (44 mm) space between wall and refrigerator to permit proper door swing.

Door Opening

For best use of drawers and freezer basket, refrigerator should be in a position where both refrigerator and freezer doors can be opened about 135°.

Leveling

- Refrigerator must be leveled with all bottom corners resting firmly on a solid floor. Adjust front rollers to level cabinet both front-to-rear and side-to-side. Keep cabinet as low as possible for stability. *Never adjust cabinet rollers so front is lower than rear.*
- **To adjust front rollers:** Open refrigerator and freezer doors. Remove toe grill by pulling it straight out. Adjust rollers by turning each roller adjusting bolt with an adjustable wrench or socket wrench until refrigerator is level and stable. Rear rollers are not adjustable.
- Check both doors to be sure seals touch cabinet evenly on all four sides.
- If freezer door is higher than refrigerator door, raise right corner and/or lower left corner until doors align across top of cabinet.
- If refrigerator door is higher than freezer door, raise left corner and/or lower right corner until doors align across top of cabinet.
- **To replace toe grill:** Line up clips with holes, and push grill straight on.



Cleaning

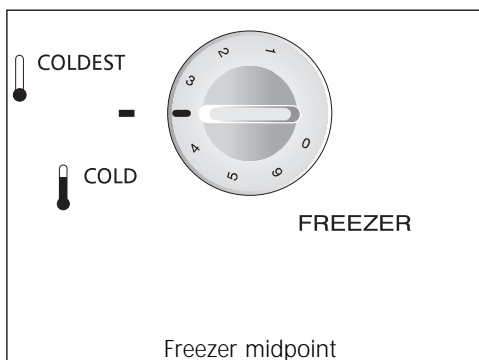
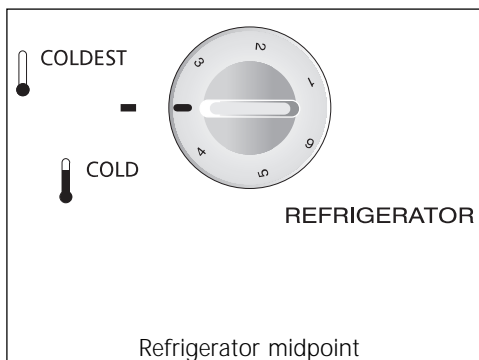
- Wash inside, all removable parts, and outside with mild detergent and warm water. Wipe dry. **DO NOT USE HARSH CLEANERS ON THESE SURFACES.**
- Do not use razor blades or other sharp instruments that can scratch appliance surface, when removing adhesive labels. Any glue left from tape or energy label can be removed with a mixture of warm water and mild detergent, or— touch residue with sticky side of tape already removed.
- DO NOT REMOVE SERIAL PLATE.

Energy Saving Ideas



- Install refrigerator in coolest part of room, out of direct sunlight, and away from heating ducts or registers. Do not place refrigerator next to heat-producing appliances such as a range, oven, or dishwasher. If this is not possible, a section of cabinetry or an added layer of insulation between the two appliances will help refrigerator operate more efficiently.
- Level refrigerator so doors close tightly.
- Refer to this instruction manual for suggested refrigerator settings.
- Periodically cleaning condenser will help refrigerator run more efficiently. See Outside in "Care and Cleaning" section.
- Do not overcrowd refrigerator or block cold air vents. Doing so causes refrigerator to run longer, and use more energy. Shelves should not be lined with aluminum foil, wax paper, or paper toweling. Liners block cold air circulation, making refrigerator less efficient, which could cause food spoilage.
- Cover foods, and wipe containers dry before placing them in refrigerator. This cuts down on moisture build-up inside unit.
- Organize refrigerator to reduce door openings. Remove as many items as needed at one time. Close door as soon as possible.

Setting Controls



Cool Down Period

To ensure safe food storage, allow refrigerator to operate with doors closed for at least 8 to 12 hours before loading with food.

Refrigerator Control

- Refrigerator control should be set at the dial midpoint for a trial period of 24 hours.
- After 24 hours, adjust control as needed. For colder temperatures, turn dial to markings under COLDEST. For warmer temperatures, turn dial to markings under COLD. Adjust temperatures by one increment at a time.

Freezer Control

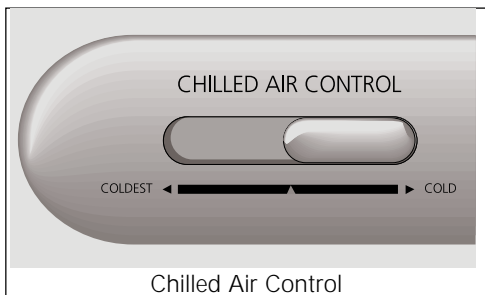
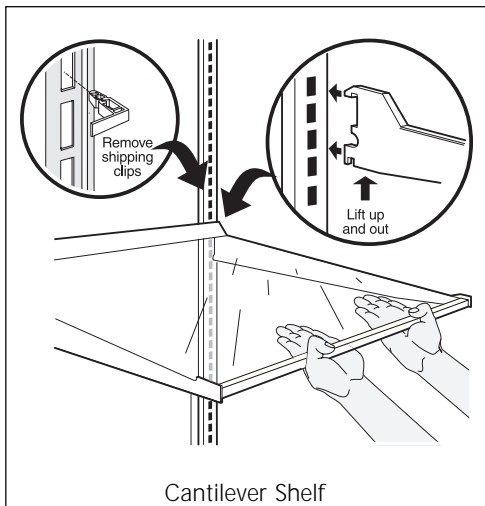
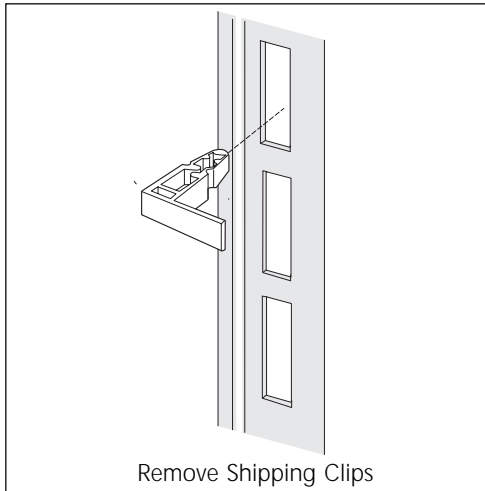
- Freezer control should be set at dial midpoint for 24 hours.
- After 24 hours, adjust control as needed. For colder temperatures, turn dial toward COLDEST. For warmer temperatures, turn dial toward COLD. Adjust temperatures by one increment at a time. **Temperature will increase or decrease, but not necessarily by 1, 2, or 3 degrees.**

Turning freezer control may change temperatures in both compartments. For example, if freezer control is turned to a colder setting, refrigerator control may have to be adjusted to a warmer one. Turning refrigerator control will change only refrigerator temperature.

Important: If freezer control is turned to **O**, cooling stops in both compartments.

You may hear "Frost Free" system working. A fan circulates air in refrigerator and freezer compartments. For good circulation and maintenance of proper cooling temperatures, do not block cold air vents with food items. Water draining into defrost water pan and hissing sounds are normal during automatic "Frost Free" cycle.

Fresh Food Storage



Shelf Adjustment

Refrigerator shelves are easily adjustable to suit your needs. Before adjusting shelves, remove all food. Remove and discard shipping clips that stabilize shelves for shipping.

To adjust cantilever shelves (shelves supported at rear of refrigerator), lift back of shelf up and out. Replace shelf by inserting hooks at rear into slots. Lower and lock into position.

Door Storage

Door bins and shelves are provided for convenient storage of jars, bottles and cans. Items used often are available for quick selection.

Some models have adjustable door bins that can be moved to suit your needs. Remove bins by lifting straight up. Place bins in desired position, and lower over supports.

The Dairy Compartment is warmer than the general food storage section, and is used for short term storage of cheese, spreads, or butter.

Crisper

The Crisper Drawer, located under bottom refrigerator shelf, is for storing fruits and vegetables. Most produce should be washed in clear water and drained before placing in this drawer. Items with strong odors or high moisture should be wrapped before storing. To remove drawer covers for cleaning, remove drawer. Lift up front of cover, and pull out.

Meat Keeper

The Meat Keeper is located at bottom of refrigerator. Temperature in this compartment can be made colder than the rest of refrigerator compartment, by sliding Chilled Air Control knob within the COLDEST or COLD range. Meat will be partially frozen, and may be kept fresh longer than if stored on a refrigerator shelf.

Before placing items in Meat Keeper, follow these steps to keep meat fresh:

1. Carefully handle meat with clean hands, and always keep the compartment clean.
2. Store meat in its original wrapper. If necessary, overwrap in plastic wrap, or foil to prevent drying. Wrap fish tightly to prevent odor transfer to other foods.
3. If spoilage ever occurs, disinfect compartment with liquid chlorine bleach following label directions. Then rinse with a solution of baking soda and water. Rinse with clear water and dry.

Freezer Basket (some models)

Some models are equipped with a slide-out wire basket below bottom freezer shelf. This basket provides easy access to frozen food packages.

Care and Cleaning

To prevent odor build-up, keep your refrigerator and freezer clean. Wipe up any spills immediately. Clean both sections of unit at least twice a year. **Never** use metallic scouring pads, brushes, abrasive cleaners or strong alkaline solutions on any surface. **Do not** wash any removable parts in a dishwasher. **Always unplug power cord from wall outlet before cleaning.** **NOTE:** Turning control to OFF does not disconnect power to controls, light bulb, or other electrical components.

Inside

Wash inside surfaces of refrigerator and freezer with a solution of 2 tablespoons baking soda in 1 quart warm water. Rinse and dry thoroughly. *Be sure to wring excess water out of sponge or cloth when cleaning around controls, light bulb, or any electrical parts.*

CAUTION Damp objects stick to cold metal surfaces. Do not touch refrigerated surfaces with wet or damp hands.

Wash removable parts such as shelves and drawers with baking soda solution, or mild detergent and warm water. **DO NOT USE HARSH CLEANERS ON THESE SURFACES.** Rinse and dry thoroughly. Clean door gaskets with mild suds, rinse with clear water and wipe dry. Do not use razor blades or other sharp instruments that can scratch appliance surface when removing adhesive labels. Any glue left from tape or energy label can be removed with a mixture of warm water and mild detergent, or— touch residue with sticky side of tape already removed. **DO NOT REMOVE SERIAL PLATE.**

Outside

Wash cabinet and handles with warm water and mild liquid detergent. Rinse well and wipe dry with a clean soft cloth. Do not use commercial household cleaners, ammonia, or alcohol to clean handles.

Remove any dust or dirt from front of toe grill using a vacuum cleaner with its dusting tool attachment. Remove toe grill by pulling it straight out. While grill is removed, vacuum backside of grill, and wipe with a sudsy cloth or sponge. Periodically clean condenser (black tubes and wires beneath the refrigerator, behind toe grill). Do not allow lint or dust to accumulate on coils. Insert a long handled brush or vacuum attachment between the two coils to bring lint forward. To replace toe grill, line up clips with holes and push grill straight on. **CAUTION Use caution when cleaning in area of the coils. Surfaces there may be sharp.**

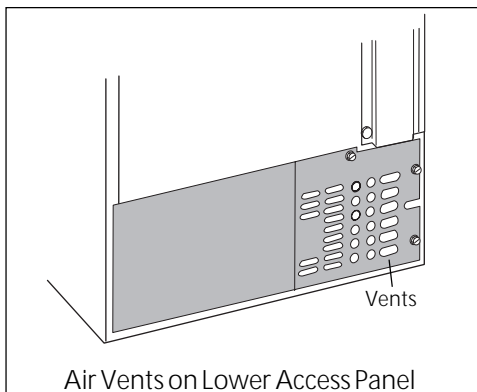
CAUTION To avoid damage and help the refrigerator run as efficiently as possible, clean the condenser and air vents periodically.

Air vents on lower access panel at rear of refrigerator should be cleaned periodically. Clean vents by using a vacuum cleaner with its dusting tool attachment. When moving refrigerator, pull straight out. Do not shift refrigerator from side to side as this may tear or gouge floor covering. Be careful not to move refrigerator beyond plumbing connections if unit is equipped with an automatic ice maker.

Replacing Light Bulb

To replace light bulb in either compartment:

1. Unplug refrigerator.
2. Wear gloves as protection against possible broken glass.
3. Replace old bulb with an appliance bulb of the same wattage.
4. Remember to plug refrigerator back in.



Care and Cleaning (continued)

Vacation and Moving Tips

Short vacations: Leave refrigerator operating during vacations of 1 to 3 weeks. Use all perishable items from refrigerator section. Wrap and store other items in freezer. If unit has an automatic ice maker, turn off ice maker.

Long vacations: Remove all food and ice if you will be gone 1 month or more. Turn controls to OFF. Disconnect power. If unit is equipped with automatic ice maker, turn off ice maker, and turn water supply valve to the closed position. Clean interior thoroughly. Leave both doors open to prevent odor and mold build-up. Block open if necessary.

Moving: When moving refrigerator, follow these guidelines to prevent damage:

- Remove all food and other items from both refrigerator and freezer compartments. Empty ice bucket.
- If a hand truck is used in moving, load refrigerator from the side.
- Turn rollers as far up as possible. This will protect them during sliding or moving.
- Cabinet should be well padded, and handled with care. **DO NOT DROP.**

Automatic Ice Maker

If your refrigerator has an automatic ice maker, it will provide a continuous supply of ice for normal use. The automatic ice maker is an optional accessory that may be installed in most models at any time. Call your local dealer for installation.

Remember, water quality determines your ice quality. It is best to connect the ice maker to water that is not softened. Chemicals from a softener that is not working properly, can damage the ice maker. If ice maker is connected to soft water, ensure the softener is maintained and working properly.

After plumbing connections have been completed, water supply valve must be opened. Place ice container under ice maker, pushing it as far back as possible. Lower wire signal arm to its "down" or ON position.

Because of new plumbing connections, the first production of ice cubes may be discolored or have an odd flavor. Throw the ice away until cubes made are free of discoloration and taste.

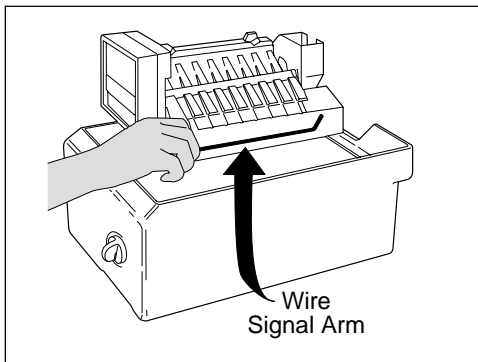
To stop ice maker, lift wire signal arm until it clicks and locks in the "up" or OFF position. Ice maker turns off automatically when ice container is full.

Ice Maker Tips

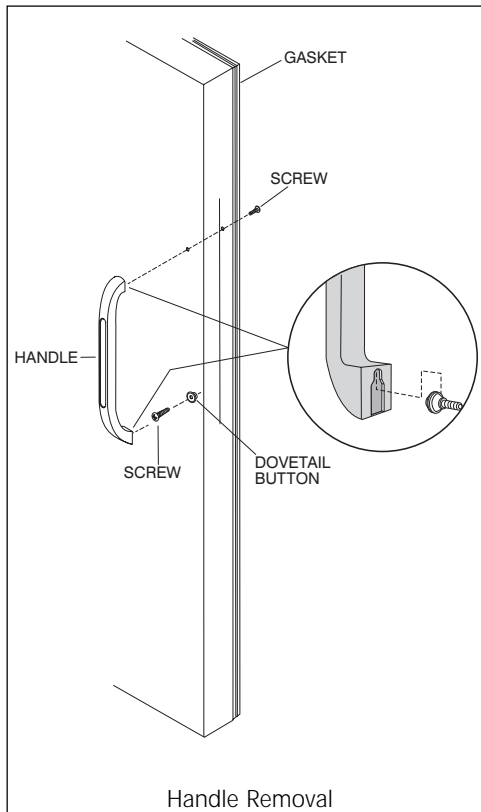
1. Ice stored too long may develop an odd flavor. Empty container and be sure wire signal arm is in its "down" or ON position. Ice maker will then produce more ice.
2. Occasionally shake container to keep ice separated.
3. Keep wire signal arm in its "up" or OFF position until refrigerator is connected to water supply, or whenever water supply is turned off.
4. **Certain sounds are normal when ice maker is operating.** They are:
 - Motor operation
 - Ice being loosened from tray
 - Ice being dropped into container
 - Running water
 - Water valve opening and closing

For more information on these operations, see "Normal Operating Sounds."

5. Wash ice container in warm water with mild detergent. Rinse well and dry.
6. Stop ice maker when cleaning freezer, or for short vacations.
7. If ice maker is to be turned off for a long period of time, turn water supply valve to the closed position.



Removing Handles and Doors



If it is necessary to move refrigerator through narrow doorways, follow these steps to remove handles, or refrigerator and freezer doors.

To Remove Handles

1. Open door and peel back the rubber gasket on inside of door.
2. Find screw holes in line with top of handles.
3. Using a Torx® screwdriver, remove top screw. This will free top of the handle. Swing top of handle away from door, and slide handle down and off of dovetail button.

Repeat these steps for each handle end.

To Remove Doors

Before removing doors, be sure controls are turned to OFF. Remove all food from doors. Unplug refrigerator. Remove toe grill.

First trace around hinges with a soft lead pencil. This will make it easier to realign doors when they are replaced. Completely remove one door before starting removal of the other, as follows.

1. Open door to door stop position (135°) and remove upper hinge screws. **DO NOT** remove upper hinge from door.
2. Carefully lift door off of lower hinge.
3. Remove lower hinge bolts and lower hinge.

Store doors in a safe place until the refrigerator is moved to the desired location. Keep all hardware for reinstallation.

To Reinstall Handles or Doors

To reinstall, reverse instructions used to remove handles or doors.

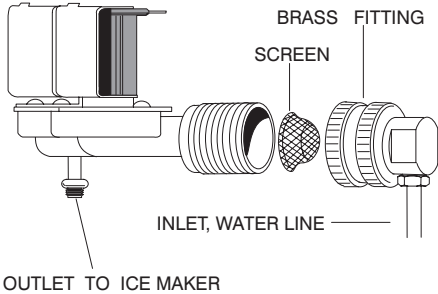
Avoid Service Checklist

Before calling for service, review this list. It may save you time and expense. The list includes common occurrences that are not the result of defective workmanship or materials in this appliance.

OCCURRENCE	POSSIBLE CAUSE	SOLUTION
RUNNING OF REFRIGERATOR Refrigerator compressor does not run.	Freezer control is off.	Freezer control must be on for cooling to begin in both compartments.
	Refrigerator is in defrost cycle.	This is normal for a fully automatic defrosting refrigerator. The defrost cycle occurs periodically, lasting about 20 minutes.
	Plug at wall outlet is disconnected.	Make sure plug is tightly pushed into outlet.
	House fuse has blown or circuit breaker has tripped.	Check and/or replace fuse with a 15 amp time-delay fuse. Reset circuit breaker.
	Power outage. Check house lights.	Call local electric company.
Refrigerator runs too much or too long.	Refrigerator is larger than the previous one you owned.	This is normal. Larger, more efficient units require longer running time.
	Room or outside weather is hot.	It is normal for the refrigerator to work longer under these conditions.
	Refrigerator has recently been disconnected for a period of time.	Allow 8-12 hours for the refrigerator to cool down completely.
	Automatic ice maker (some models) is operating.	Operation of the ice maker causes the refrigerator to run slightly longer and/or more frequently.
	Large amounts of warm or hot food may have been stored recently.	Warm food will cause the refrigerator to run more until the desired temperature is reached.
	Doors are opened too frequently or too long.	Warm air entering the refrigerator causes it to run more. Open the door less often.
	Refrigerator or freezer door may be slightly open.	Make sure refrigerator is level. Keep food and containers from blocking door. See Occurrence section OPENING/CLOSING OF DOORS/DRAWERS .
	Refrigerator or freezer control is set too cold.	Set the respective control to a warmer setting until the temperature is satisfactory. Allow 24 hours for the temperature to stabilize. Then, adjust the other compartment if necessary.

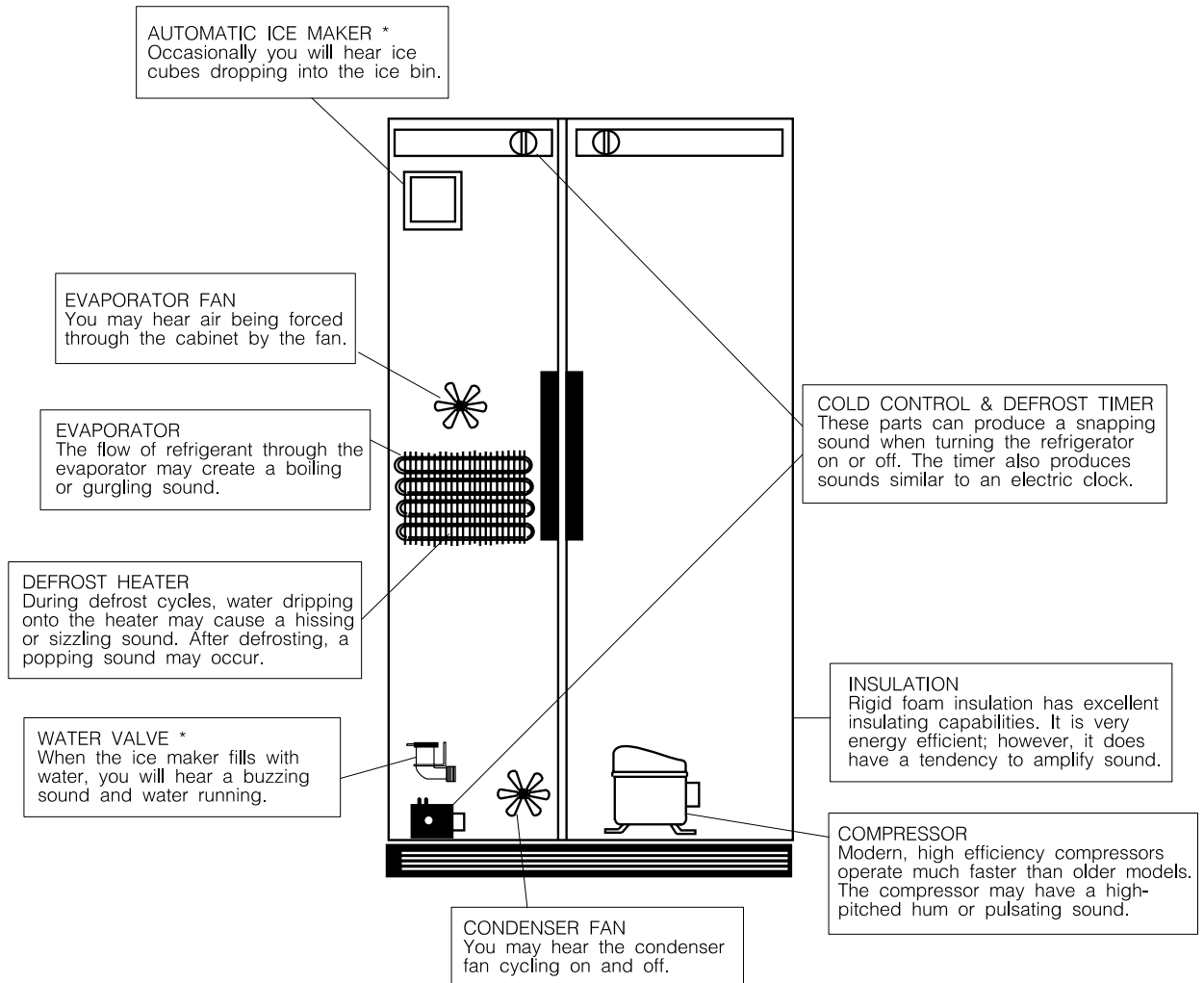
OCCURRENCE	POSSIBLE CAUSE	SOLUTION
RUNNING OF REFRIGERATOR		
Refrigerator runs too much or too long. (continued)	Refrigerator or freezer gasket is dirty, worn, cracked, or poorly fitted.	Clean or change gasket. Leaks in door seal will cause refrigerator to run longer in order to maintain desired temperatures.
Refrigerator compressor goes on and off frequently.	Thermostat is keeping the refrigerator at a constant temperature.	This is normal. Refrigerator goes on and off to keep temperature constant.
TEMPERATURES ARE TOO COLD		
Temperature in the freezer is too cold and the refrigerator temperature is satisfactory.	Freezer control is set too cold.	Set the freezer control to a warmer setting until the freezer temperature is satisfactory. Allow 24 hours for the temperature to stabilize. Then, if the refrigerator temperature is not right, set the refrigerator control to a colder setting.
Temperature in the refrigerator is too cold and the freezer temperature is satisfactory.	Refrigerator control is set too cold.	Set the refrigerator control to a warmer setting. Allow 24 hours for the temperature to stabilize.
Food stored in Crisper freezes.	Refrigerator control is set too cold.	See above solution.
Food stored in the Meat Keeper freezes.	Meat should be stored at a temperature just below the freezing point of water (32°F, 0°C) for maximum fresh storage time.	It is normal for ice crystals to form due to the moisture content of meat.
	Chilled Air Control is set too cold.	Slide knob toward the COLD setting.
TEMPERATURES ARE TOO WARM		
Temperature in the freezer is too warm.	Freezer control is set too warm.	Set the freezer control to a colder setting until the freezer temperature is satisfactory. Allow 24 hours for the temperature to stabilize. Then, if the refrigerator temperature is not right, set the refrigerator control to a warmer setting.
	Doors are opened too frequently or too long.	Warm air enters the refrigerator/freezer whenever the door is opened. Open the door less often.
	Door is open slightly.	See Occurrence section OPENING/CLOSING OF DOORS/DRAWERS.
	Large amounts of warm or hot food may have been stored recently.	Wait until the refrigerator or freezer has had a chance to reach its selected temperature.
	Refrigerator has recently been disconnected for a period of time.	A refrigerator requires 8-12 hours to cool down completely.

OCCURRENCE	POSSIBLE CAUSE	SOLUTION
Temperature in the refrigerator is too warm and the freezer temperature is satisfactory.	Refrigerator control is set too warm.	Set the refrigerator control to a colder setting. Allow 24 hours for the temperature to stabilize. Refer to "Setting the Controls."
Temperature in the Meat Keeper is too warm.	Chilled Air Control is set too warm.	Slide knob toward COLDEST setting.
SOUND AND NOISE		
Louder sound levels when refrigerator is on.	Today's refrigerators have increased storage capacity and maintain more even temperatures.	It is normal for sound levels to be higher.
Louder sound when compressor comes on.	Refrigerator operates at higher pressures during the start of the ON cycle.	This is normal. Sound will level off as refrigerator continues to run.
Various popping, cracking, dripping, bubbling, or gurgling sounds when motor is running.	This is normal.	See "Normal Operating Sounds" section of this manual.
Vibrating or rattling noise.	Refrigerator is not level. It rocks on the floor when it is moved slightly.	Adjust the rollers as needed.
	Floor is uneven or weak. Refrigerator rocks on the floor when it is moved slightly.	Be sure floor is level and solid and can adequately support refrigerator.
	Items placed on top of refrigerator are vibrating.	Remove items.
	Dishes are vibrating on the shelves in the refrigerator.	It is normal for dishes to vibrate slightly. Move the dishes slightly. Make sure refrigerator is level and solidly set on the floor.
	Refrigerator is touching wall or cabinets.	Relevel or move the refrigerator.
Running water sound.	Water is running into the ice maker (some models).	This is normal when the ice maker is filling.
Sizzling sound in freezer.	Water dripping on defrost heater coil during defrost cycle.	This is a normal sound which will occur during defrost cycles.
WATER/MOISTURE/FROST INSIDE REFRIGERATOR		
Moisture collects on inside of refrigerator walls.	Weather is hot and humid which increases rate of frost buildup and internal sweating.	This is normal.
	Door is slightly open.	See Occurrence section OPENING/CLOSING OF DOORS/DRAWERS.
	Door is opened too often or too long.	Open the door less often.
Water collects on bottom side of Crisper cover.	Vegetables contain and give off moisture.	It is not unusual to have moisture on the bottom side of the cover.
Water collects in bottom of Crisper.	Washed vegetables and fruits drain while in the Crisper.	Dry items before putting them into Crisper. Water collecting in bottom of Crisper is normal.

OCCURRENCE	POSSIBLE CAUSE	SOLUTION
WATER/MOISTURE/FROST OUTSIDE REFRIGERATOR		
Moisture forms on outside of refrigerator	Weather is humid.	This is normal in humid weather. When humidity is lower, the moisture should disappear.
	Door is slightly open, causing cold air from inside the refrigerator to meet warm air from outside.	See Occurrence section OPENING/CLOSING OF DOORS/DRAWERS.
AUTOMATIC ICE MAKER (some models)		
Ice maker is not making any ice.	Ice maker wire signal arm is in "up" or OFF position.	Move wire signal arm to "down" or ON position.
	Water supply valve in your home is not open.	Find the valve on water line near the refrigerator and turn it on.
	Water supply valve in refrigerator is being blocked by foreign material.	Unplug the refrigerator and turn off water supply. Slide refrigerator out and locate where water is connected to the valve. Unscrew the brass fitting and pull out the screen from inside the valve mesh. Clean the screen of foreign material. Replace screen and brass fitting and turn the water supply on; check for leaks. Plug in refrigerator and slide into place.
	Freezer is not cold enough.	See Occurrence section TEMPERATURES ARE TOO WARM.
	Saddle valve on cold water pipe is blocked or restricted by foreign material.	Turn off central water supply. Remove, clean, or replace valve.
Ice maker is not making enough ice.	Ice maker is producing less ice than you expect.	Ice maker should produce 2 1/2 to 4 pounds of ice every 24 hours.
	Freezer is not cold enough.	See Occurrence section TEMPERATURES ARE TOO WARM.
	Water supply valve in your home is not completely open.	Find the valve on water line near the refrigerator and turn it on.
	Water supply valve in refrigerator is being blocked by foreign material.	See Occurrence "Ice maker is not making any ice" above.
Ice maker is not separating the cubes.	Ice cubes are not being used frequently enough.	Remove and shake ice bucket to separate cubes.
Ice has bad odor and taste.	Ice has picked up odor or flavor from strong food stored in refrigerator or freezer.	Cover foods tightly. Discard stale ice. Ice maker will produce fresh supply.
	Water running to ice maker has poor taste or odor.	Add filter to ice maker. Consult a water purifying company.

OCCURRENCE	POSSIBLE CAUSE	SOLUTION
ODORS IN REFRIGERATOR		
	Interior needs to be cleaned.	Clean interior with sponge, warm water and baking soda.
	Food with strong odor is in refrigerator.	Cover food tightly.
	Some containers and wrapping paper produce odors.	Use a different container or brand of wrapping paper.
OPENING/CLOSING OF DOORS/ DRAWERS		
Door will not close.	Food package is keeping door open.	Move packages that keep door from closing.
	Door was closed too hard, causing other door to open slightly.	Close both doors gently.
	Refrigerator is not level. It rocks on the floor when it is moved slightly.	Adjust the rollers as needed.
	Floor is uneven or weak. Refrigerator rocks on the floor when it is moved slightly.	Be sure floor is level and can adequately support refrigerator. Contact a carpenter to correct a sagging or sloping floor.
	Refrigerator is touching the wall or cabinets.	Re-level or move refrigerator.
Drawers are difficult to move.	Food is touching shelf on top of drawer.	Keep less food in drawer.
	Track that drawer slides on is dirty.	Clean drawer, track and rollers.
LIGHT BULB IS NOT ON		
	Light bulb is burned out.	See "Replacing the Light Bulb" in the Care and Cleaning section.
	Light switch plunger is stuck. Plunger is located on the interior door frame next to the temperature control in each compartment.	Push in plunger to release.
	No electric current is reaching refrigerator.	See Occurrence section RUNNING OF REFRIGERATOR .

Normal Operating Sounds



* On models equipped with an Automatic Ice Maker.

REFRIGERATOR WARRANTY

Your refrigerator is protected by this warranty

	WARRANTY PERIOD	THROUGH OUR AUTHORIZED SERVICERS, WE WILL:	THE CONSUMER WILL BE RESPONSIBLE FOR:
FULL ONE-YEAR WARRANTY	One year from original purchase date	Pay all costs for repairing or replacing any parts of this appliance which prove to be defective in materials or workmanship. Excludes original and replacement Ice & Water filter cartridges (if equipped). Original and replacement cartridges are warranted for 30 days (parts only).	Costs of service calls that are listed under NORMAL RESPONSIBILITIES OF THE CONSUMER. *
LIMITED 2ND-5TH YEAR WARRANTY (Cabinet Liner and Sealed System)	Second through fifth years from original purchase date	Repair or replace any parts in the cabinet liner or Sealed Refrigeration System (compressor, condenser, evaporator, drier and tubing) which prove to be defective in materials or workmanship.	Costs for pick up and delivery of the appliance required because of service. Costs for labor, parts and transportation other than with respect to the cabinet liner or Sealed Refrigeration System.
LIMITED WARRANTY (Applicable to the State of Alaska)	Time periods listed above.	All of the provisions of the full warranties above and the exclusions listed below apply.	Costs of the technician's travel to the home and any costs for pick up and delivery of the appliance required because of service.

ADDITIONAL COVERAGE FOR "THROUGH-THE-DOOR" ICE AND WATER DISPENSER AND/OR ICE ONLY DISPENSER MODELS:

	WARRANTY PERIOD	THROUGH OUR AUTHORIZED SERVICERS, WE WILL:	THE CONSUMER WILL BE RESPONSIBLE FOR:
FULL TWO-YEAR WARRANTY (Ice and Water Dispensing System)	During the second year from original purchase date.	Repair or replace, without charge, any part(s) of the ice and water dispensing system which proves to be defective in materials or workmanship, and all labor associated with such repair.	Costs for pick up and delivery of the appliance required because of service. Costs for labor, parts and transportation other than with respect to the ice and water dispensing system.

In the U.S.A., your appliance is warranted by Electrolux Home Products North America, a division of White Consolidated Industries, Inc. We authorize no person to change or add to any of our obligations under this warranty. Our obligations for service and parts under this warranty must be performed by us or an authorized Electrolux Home Products North America servicer. In Canada, your appliance is warranted by WCI Canada, Inc.

*NORMAL RESPONSIBILITIES OF THE CONSUMER

This warranty applies only to products in ordinary household use, and the consumer is responsible for the items listed below:

1. Proper use of the appliance in accordance with instructions provided with the product.
2. Proper installation by an authorized servicer in accordance with instructions provided with the appliance and in accordance with all local plumbing, electrical and/or gas codes.
3. Proper connection to a grounded power supply of sufficient voltage, replacement of blown fuses, repair of loose connections or defects in house wiring.
4. Expenses for making the appliance accessible for servicing, such as removal of trim, cupboards, shelves, etc., which are not a part of the appliance when it was shipped from the factory.
5. Damages to finish after installation.
6. Replacement of light bulbs and/or fluorescent tubes (on models with these features).

EXCLUSIONS

This warranty does not cover the following:

1. CONSEQUENTIAL OR INCIDENTAL DAMAGES SUCH AS PROPERTY DAMAGE AND INCIDENTAL EXPENSES RESULTING FROM ANY BREACH OF THIS WRITTEN OR ANY IMPLIED WARRANTY.
NOTE: Some states do not allow the exclusion or limitation of incidental or consequential damages, so this limitation or exclusion may not apply to you.
2. Service calls which do not involve malfunction or defects in workmanship or material, or for appliances not in ordinary household use. The consumer shall pay for such service calls.
3. Damages caused by services performed by servicers other than Electrolux Home Products North America or its authorized servicers; use of parts other than genuine Electrolux Home Products parts; obtained from persons other than such servicers; or external causes such as abuse, misuse, inadequate power supply or acts of God.
4. Products with original serial numbers that have been removed or altered and cannot be readily determined.

IF YOU NEED SERVICE

Keep your bill of sale, delivery slip, or some other appropriate payment record. The date on the bill establishes the warranty period should service be required. If service is performed, it is in your best interest to obtain and keep all receipts. This written warranty gives you specific legal rights. You may also have other rights that vary from state to state. Service under this warranty must be obtained by contacting Electrolux Home Products:

This warranty only applies in the 50 states of the U.S.A., Puerto Rico, and Canada. Product features or specifications as described or illustrated are subject to change without notice. All warranties are made by Electrolux Home Products North America, a division of White Consolidated Industries, Inc. In Canada, your appliance is warranted by WCI Canada, Inc.

01-U-RE-03 (Rev. 01/2001)

USA

800•944•9044

Electrolux Home Products North America

P.O. Box 212378

Augusta, GA 30917

Canada

866•213•9397

Electrolux Home Products North America

6150 McLaughlin Road

Mississauga, Ontario

L5R 4C2

Service Information (Canada)

To avoid unnecessary cost and inconvenience, make a few simple checks before calling for service. Common occurrences and their solutions can be found in the Avoid Service Checklist. Be sure you have followed the instructions in this manual.

If you are unable to locate the cause of a problem, call for service. Insist on factory service by an authorized ELECTROLUX PARTS AND SERVICE depot.

ELECTROLUX PARTS AND SERVICE

All Electrolux appliances are backed by ELECTROLUX PARTS AND SERVICE, one of Canada's largest parts and service networks.

The Electrolux reputation means you can enjoy complete professional service from one of our hundreds of trained technicians across the country.

ELECTROLUX PARTS AND SERVICE

6150 McLaughlin Road
Mississauga, Ontario
L5R 4C2

Place the name, address and telephone number of your service depot in the spaces below.

Product and feature specifications as described or illustrated are subject to change without notice.

