

Use and Care Guide



Table of Contents (complete)	2
A Note to You	2
Refrigerator Safety	3
Parts and Features	4
Installing Your Refrigerator	5
Using Your Refrigerator	11
Caring for Your Refrigerator	23
Food Storage Guide ...	26
Troubleshooting	28
Requesting Assistance or Service	29
Warranty	31

1-800-422-1230
Call Us With Questions Or Comments.

KITCHENAID*
20' FREESTANDING/BUILT-IN
SIDE-BY-SIDE REFRIGERATOR

Table of Contents

	Page		Page
A Note to You	2	Adjusting the meat locker temperature	14
Refrigerator Safety	3	Removing the crispers and crisper covers	14
Parts and Features	4	Adjusting the crisper humidity control	14
Installing Your Refrigerator	5	Removing the freezer shelf	15
Cleaning your refrigerator	5	Using the utility compartment	15
Plugging it in	6	Removing the freezer baskets	15
To remove the wooden base	6	Using the automatic ice maker	16
Leveling it	6	Removing the ice maker storage bin	17
Removing the doors and handles	7	Using the cold water and ice dispensers	18
Aligning the doors	7	Removing the base grille	20
Attaching the ice maker to a water supply	8	Changing the light bulbs	20
Using Your Refrigerator	11	Understanding the sounds you may hear	22
Setting the controls	11	Saving energy	22
Changing the control settings	11	Caring for Your Refrigerator	23
Removing the snap-on door trivet	12	Food Storage Guide	26
Adjusting the door bins	12	Troubleshooting	28
Removing the can rack	12	Requesting Assistance or Service	29
Adjusting the cantilever refrigerator shelves	13	Warranty	31
Removing the meat locker and cover	13		

A Note to You

Thank you for buying a KITCHENAID® appliance!

KITCHENAID appliances have everything you would expect of a superior appliance, plus the distinct style and thoughtful details which contribute to the overall look of your home and your enjoyment of it. To ensure that you enjoy many years of trouble-free operation, we developed this Use and Care Guide. It contains valuable information concerning how to operate and maintain your new appliance properly and safely. Please read it carefully.

Also, please complete and mail the enclosed Product Registration Card.

Please record your model's information.

Whenever you call to request service on your appliance, you need to know your complete model number and serial number. You can find this information on the model and serial number label (see diagram on page 4 for location of label).

Please also record the purchase date of your appliance and your dealer's name, address, and telephone number.

Model Number _____
 Serial Number _____
 Purchase Date _____
 Dealer Name _____
 Dealer Address _____
 Dealer Phone _____

Keep this book and the sales slip together in a safe place for future reference.

Our Consumer Assistance Center number, 1-800-422-1230, is toll-free 24 hours a day.

Refrigerator Safety

Your safety is important to us.

This guide contains statements under warning symbols. Please pay special attention to these symbols and follow any instructions given. Here is a brief explanation of the use of the warning symbol.

WARNING

This symbol alerts you to such dangers as fire, electrical shock, burns, and personal injury.

IMPORTANT SAFETY INSTRUCTIONS

WARNING

To reduce the risk of fire, electrical shock, or injury when using your refrigerator, follow these basic precautions:

- Read all instructions before using the refrigerator.
 - Child entrapment and suffocation are not problems of the past. Junked or abandoned refrigerators are still dangerous ... even if they will “just sit in the garage a few days.”
If you are getting rid of your old refrigerator, do it safely. Please read the enclosed safety booklet from the Association of Home Appliance Manufacturers. Help prevent accidents.
 - Never allow children to operate, play with, or crawl inside the refrigerator.
 - Never clean refrigerator parts with flammable fluids. The fumes can create a fire hazard or explosion.
- FOR YOUR SAFETY •
- DO NOT STORE OR USE GASOLINE OR OTHER FLAMMABLE VAPORS AND LIQUIDS IN THE VICINITY OF THIS OR ANY OTHER APPLIANCE. THE FUMES CAN CREATE A FIRE HAZARD OR EXPLOSION.

– SAVE THESE INSTRUCTIONS –

Help us help you

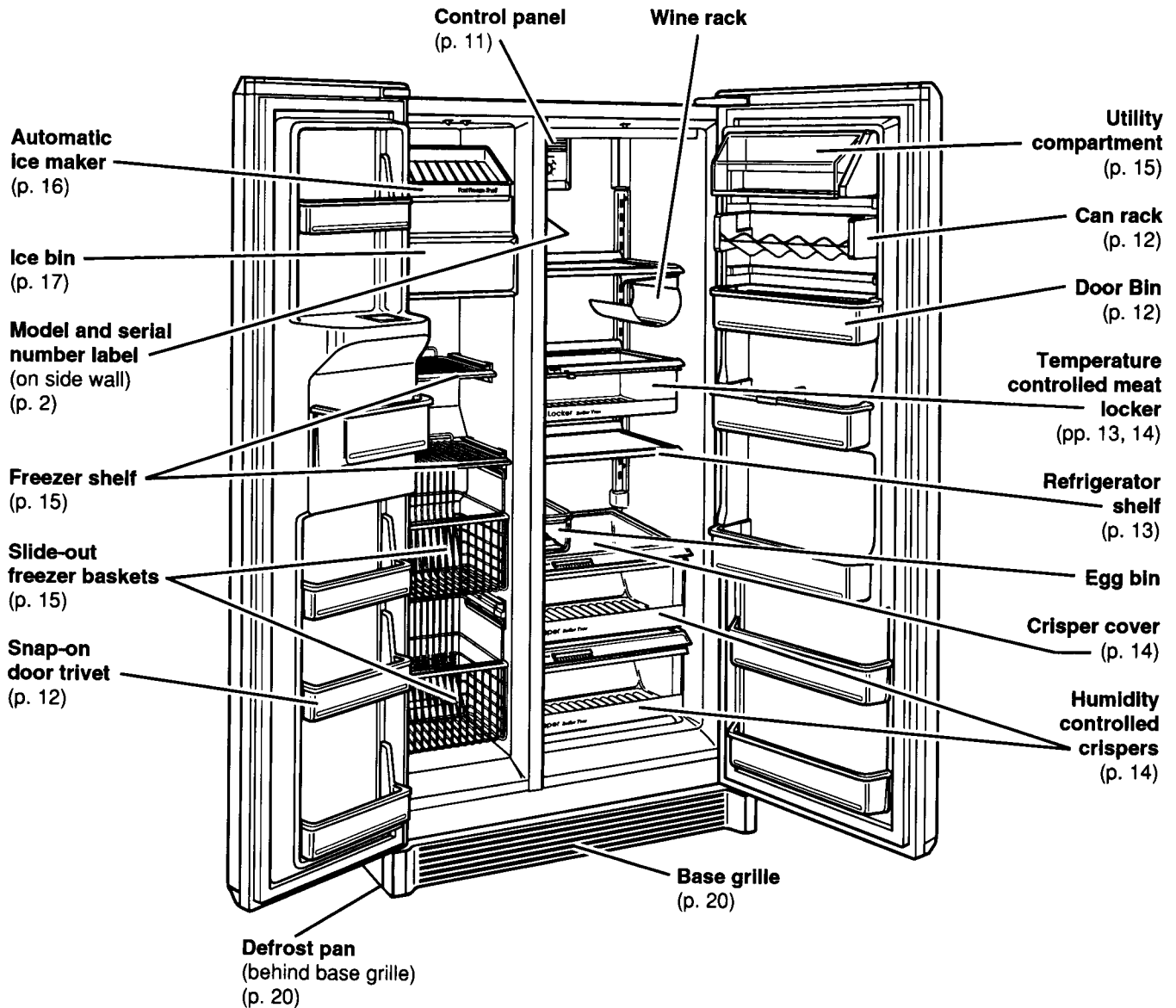
Please:

- Install and level the refrigerator on a floor that will hold the weight and in an area suitable for its size and use.
- Do not install the refrigerator near an oven, radiator, or other heat source.
- Do not use the refrigerator in an area where the room temperature will fall below 55°F (13°C).
- Keep the refrigerator out of the weather.
- Connect the refrigerator only to the proper kind of outlet, with the correct electrical supply and grounding. (Refer to the Electrical Requirements and Grounding Instructions Sheet.)
- Do not load the refrigerator with food before it has time to get properly cold.
- Use the refrigerator only for the uses described in this manual.
- Properly maintain the refrigerator.
- Be sure the refrigerator is not used by anyone unable to operate it properly.

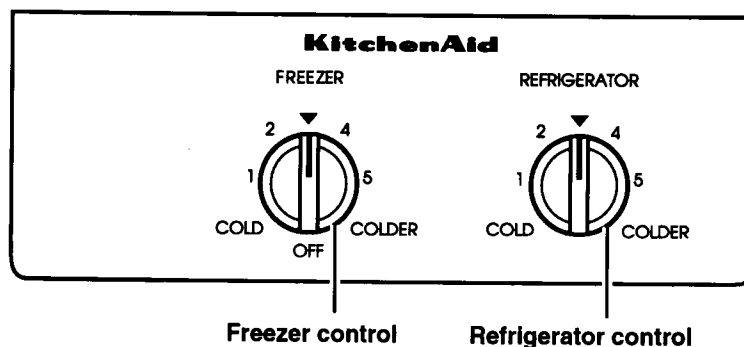
Parts and Features

Below are illustrations of your appliance with the parts and features called out. To help you find information on specific parts or features faster, page references are included.

NOTE: the model you have purchased may have all or some of the parts and features shown and they may not match the illustration exactly. This manual covers several models.



Control Panel



Installing Your Refrigerator

⚠ WARNING



Electric Shock Hazard

Unplug the refrigerator before performing any installation steps.

Failure to follow this instruction can result in death or electrical shock.

When you are installing your refrigerator, allow 1/2-inch (1.25cm) of space on each side and at the top of the refrigerator for ease of installation. It can be flush against the back wall. Be sure to wear gloves while installing the refrigerator.

Cleaning your refrigerator

Removing packaging materials

Remove tape and any inside labels (except the model and serial number label) before using the refrigerator.

To remove any remaining tape or label glue:

- Rub briskly with thumb.

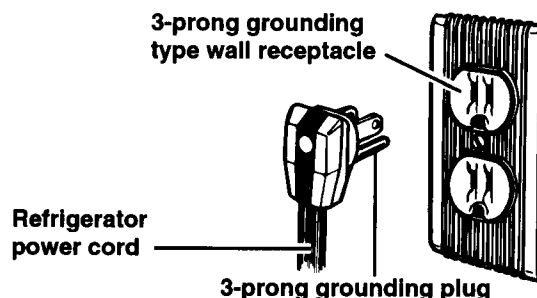
OR

- Apply liquid hand-dishwashing detergent to area before removing glue as described above. Do not use sharp instruments, rubbing alcohol, flammable fluids, or abrasive cleaners. These can damage the material. See "Important Safety Instructions" on page 3.

NOTE: Do not remove any permanent instruction labels inside your refrigerator. Do not remove the Tech Sheet fastened under the refrigerator at the front.

Plugging it in

Be sure you have a 115 Volt, 60 Hz., AC only 15 or 20 ampere fused and properly grounded electrical supply is required. It is recommended that a separate circuit serving only this appliance be provided. Use a receptacle which cannot be turned off with a switch or pull chain. Do not use an extension cord. See Electrical Requirements and Grounding Instructions Sheet in your Literature Package.



To remove the wooden base

⚠ WARNING

Excessive Weight Hazard

**Use two or more people to move refrigerator.
Failure to do so can result in back or other injury.**

1. Tape the doors shut with masking tape.
2. Slide an appliance cart under one side of the refrigerator.
3. Wrap the refrigerator with a blanket or pad for protection and thread the cart strap around the refrigerator. Then place foam shipping pads from the shipping carton under the strap and gently tighten.
4. Lower the appliance cart to the floor so the cart handles are resting on the floor. Remove the two bolts from the wooden base and return the appliance cart to the upright position. Remove the appliance strap.
5. Slide the appliance cart under the opposite side of the refrigerator and repeat steps 3-4. When you are finished, throw away the bolts and the wooden base.
6. When you have removed the wooden base, position the refrigerator where you want it to be. Make sure that the floor under the refrigerator is secure and can support 945 pounds.

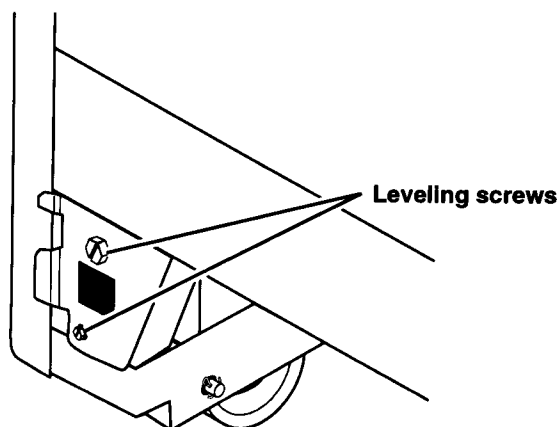
NOTE: On model KSBS20Q, see the installation instructions included with the refrigerator for directions on installing the panels and trim on the doors. You can purchase a separate trim kit from your local authorized appliance dealer for model KSFS20Q.

Leveling it

Move the refrigerator into its final position. Use a level and check that refrigerator is level. Do this before attaching the ice maker to a water supply. Level the refrigerator using the four leveling screws – two on the right and two on the left. To adjust one or all of these, follow the directions below.

1. Remove base grille (see page 20).
2. Turn the leveling screw clockwise to raise refrigerator or counterclockwise to lower the refrigerator. The top screw will control the rear of the refrigerator and the bottom screw will control the front of the refrigerator. The screws on the right side will control the refrigerator section and the screws on the left will control the freezer section.
3. Check the refrigerator with a level after it is adjusted.
4. If it is level, replace the base grille.

IMPORTANT: If refrigerator is not level because of uneven flooring, use shims under the rollers to level it.



Removing the doors and handles


The doors and the handles of your refrigerator can be removed if necessary.

To remove the handles:

1. Remove the crushed/cubed ice switch cover on the dispenser by pulling forward. Release the bottom clips on the dispenser cover by placing the taped edge of a putty knife underneath and pulling out. Release the top clips by holding bottom of dispenser cover out and sliding up.
2. On model KSBS20Q, remove the top handle end caps by removing the screws with a Phillips screwdriver. Then remove the door handle inserts by placing a tape covered end of a screwdriver at the top of the door handles in between the handle and insert, and pull the inserts out along the length of the handle.

On model KSFS20Q, remove the handles by removing screws with a 1/4-inch (6 millimeter) hex driver.

3. Replace handles in the reverse order.

⚠ WARNING

Electrical Shock Hazard
Do not remove green ground wire from wire connectors.
Doing so can result in death or electrical shock.

To remove the doors:

1. Remove the base grille by holding the end and pulling forward.
2. Loosen the screw from the water tube clamp on the left side of the refrigerator cabinet behind the base grille with a 1/4-inch (6 millimeter) hex nut driver.
3. Remove the top hinge covers by removing the screws with a Phillips screwdriver. Trace around the top hinges with a pencil to help maintain proper alignment when you reassemble the door.
4. Unplug the top hinge wire connectors.
5. Remove the top hinge screws with a 5/16-inch (8 millimeter) hex driver, then remove the hinges.
6. Lift the doors off of the bottom hinges.
7. To replace the doors, reverse steps 1-6.

Aligning the doors

After you have replaced the doors, you should make sure that the doors are properly aligned.

1. Slide the refrigerator into its final location and ensure that it is stable. If refrigerator is not stable, remove the base grille and turn the roller adjustment screws clockwise 1/4-inch (6 millimeter) with a hex nut driver until the refrigerator is firmly on all rollers. If the floor is uneven, you may need to place shims under the rear rollers to level the refrigerator.
2. Once the refrigerator is stable, make sure that the doors are aligned with each other. If they are not aligned, remove the base grille if it is not already removed, and turn the front roller adjustment screw clockwise with a 1/4-inch (6 millimeter) hex nut driver to lower the door.
3. Open and close both doors to make sure that the tops of the doors are aligned. Repeat step 2 until the doors are aligned.

4. Recheck to make sure that the refrigerator is stable, and if not stable, repeat step 1.
5. Once the refrigerator is stable again, make sure that the gap between the doors is consistent from top to bottom. If the gap is consistent, simply replace the base grille.
6. If the gap is not consistent, remove the top hinge covers with a Phillips screwdriver and loosen the screws with a 1/4-inch (6 millimeter) hex nut driver.
7. Push both doors toward the door that is lower and align the tops of the tops of the doors with each other while checking that the gap between them is consistent from top to bottom.
8. Tighten the top hinge screws, replace the top hinge covers and base grille.

Attaching the ice maker to a water supply

Read all directions carefully before you begin.

⚠ WARNING



Electrical Shock Hazard

**Unplug refrigerator before installing ice maker.
Failure to do so can result in death or
electrical shock.**

NOTE: Your appliance dealer has a kit available with a 1/4-inch saddle type shut-off valve, a union, and copper tubing. Before purchasing, make sure a saddle type valve complies with your local plumbing codes. **Do not use piercing type or 3/16-inch saddle valve which reduces water flow and clogs more easily.**

Cold water supply

Ice maker water valve contains a flow washer which is used as a water pressure regulator. **The ice maker needs to be connected to a cold water line with water pressure limitations of 20-120 psi. If a problem occurs, call your utility company.**

IMPORTANT:

- It may take up to 24 hours for your ice maker to begin producing ice.
- If operating the refrigerator before installing the water connection, turn ice maker to the OFF position to prevent operation without water.
- All installations must be in accordance with local plumbing code requirements.

IMPORTANT:

- Use copper tubing only and check for leaks.
- Install ice maker tubing in areas where temperatures are above freezing.

Tools required:

- Tightly fitting gloves
- Towel
- Water bucket
- Masking tape
- Center punch
- Hammer
- 3/8-inch drill bit
- Standard screwdriver
- Two 1/2-inch open-end wrenches or two adjustable wrenches
- 1/4-inch hex nut driver
- 1/4-inch drill bit
- Hand drill or electric drill (properly grounded)

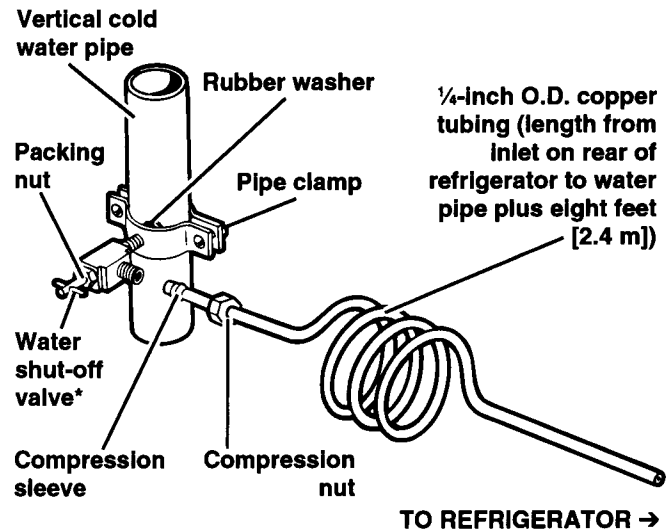
**INSTALLATION IS NOT WARRANTED
BY REFRIGERATOR OR ICE MAKER
MANUFACTURER.**

Connecting to water line

1. Find a ½-inch to 1¼-inch vertical COLD water pipe near the refrigerator.

NOTE: Horizontal pipe will work, but the following precaution must be taken: Drill on the top side of the pipe, not the bottom. This will help keep water away from the drill. This also keeps normal sediment from collecting in the valve.

2. Measure from connection on rear of refrigerator to water pipe. Add 8 feet (2.4 m) to allow for moving refrigerator for cleaning. This is the length of ¼-inch O.D. copper tubing you will need for the job (length from connection to water pipe PLUS 8 feet [2.4 m]). Be sure both ends of copper tubing are cut square.
3. Turn OFF main water supply. Turn ON nearest faucet at the lowest elevation long enough to clear line of water.
4. Using a grounded drill, drill a ¼-inch hole on one side of the cold water pipe you have selected.
5. Fasten shut-off valve to cold water pipe with pipe clamp. Be sure outlet end is solidly in the ¼-inch drilled hole in the water pipe and that washer is under the pipe clamp. Tighten packing nut. Tighten the pipe clamp screws carefully and evenly so washer makes a watertight seal. Do not overtighten or you may crush the copper tubing, especially if soft (coiled) copper tubing is used. Now you are ready to connect the copper tubing.
6. Slip compression nut and compression sleeve on copper tubing as shown in diagram. Insert end of tubing into outlet end squarely as far as it will go. Screw compression nut onto outlet end with adjustable wrench. Do not overtighten. Turn ON main water supply and flush out tubing until water is clear. Turn OFF shut-off valve on the water pipe. Coil copper tubing.



* Controls water supply

Connecting to refrigerator

1. While your refrigerator is away from the wall, remove and save the lower cover by removing the screws.
2. Remove the nut and sleeve from the adapter fitting and slide the brass nut and sleeve over the end of the copper tubing. Insert the copper tubing completely into the adapter fitting and make sure that the hose washer is in place. Tighten the adapter fitting by hand as much as possible, then tighten $\frac{1}{2}$ turn with an adjustable wrench. Make sure the copper tubing is secure by pulling on it gently.
3. **Turn shut-off valve ON. CHECK FOR LEAKS. TIGHTEN ANY CONNECTIONS (INCLUDING CONNECTIONS AT THE VALVE) OR NUTS THAT LEAK.**
4. Replace the lower back cover onto the refrigerator and replace and tighten the screws. Be sure to tuck wires inside the cover. Do not allow wires to be pinched.
5. Create a service loop with the copper tubing to avoid kinks and **secure it to the refrigerator cabinet using the "P" clamp.**
6. Plug in the refrigerator. Turn on electrical supply to grounded 3-prong receptacle. Turn refrigerator on and check for leaks while it is running. Make sure that the water inlet tube in the freezer section stays firmly in place.
7. Reposition the refrigerator against the wall.

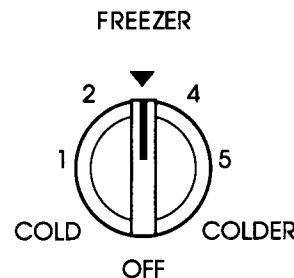
Using Your Refrigerator

To obtain the best possible results from your refrigerator, it is important that you operate it properly. This section tells you how to set the temperature controls, remove and adjust some of the features in your refrigerator, and how to save energy.

Setting the controls

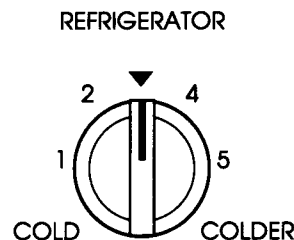
The controls for your refrigerator are located on the upper rear wall of the refrigerator section. The FREEZER control regulates the temperature in the freezer section, and the REFRIGERATOR control regulates the temperature in the refrigerator section. When the FREEZER control is turned to **off**, neither the REFRIGERATOR or FREEZER sections will cool. When you plug the refrigerator in for the first time:

1. Set the FREEZER control to ▼ (Recommended Setting). Freezer control settings range from 1 (warmest) to 5 (coldest).



2. Set the REFRIGERATOR control to ▼ (Recommended Setting). Refrigerator control settings range from 1 (warmest) to 5 (coldest).

Give the refrigerator 24 hours after connecting to cool down completely. After that, you can adjust the controls as needed. The setting indicated above should be correct for normal household use. Your controls will be set correctly when your milk or juice are as cold as you like and your ice cream is firm.



Changing the control settings

If you need to adjust temperatures in the refrigerator or freezer, use the settings listed in the chart below as a guide. If you have any questions, call our Consumer Assistance Center number, **1-800-422-1230**, from anywhere in the U.S.A.

- Wait at least 24 hours between adjustments.

CONDITION:	REASON:	RECOMMENDED SETTINGS:	
		Refrigerator	Freezer
Refrigerator section too warm	<ul style="list-style-type: none"> • Door opened often • Large amount of food added • Room temperature too warm 	4	▼
Freezer section too warm	<ul style="list-style-type: none"> • Door opened often • Large amount of food added • Very cold room temperature (can't cycle often enough) 	▼	2-▼
Refrigerator section too cold	<ul style="list-style-type: none"> • Controls not set correctly for your conditions 	2	▼

CONDITION:	REASON:	RECOMMENDED SETTINGS:	
		Refrigerator	Freezer
Ice not made fast enough	<ul style="list-style-type: none"> • Heavy ice usage • Very cold room temperature (can't cycle often enough) 	▼	4-5
Both sections too warm	<ul style="list-style-type: none"> • Door opened often • Large amount of food added • Very warm or very cold room temperatures 	4	4

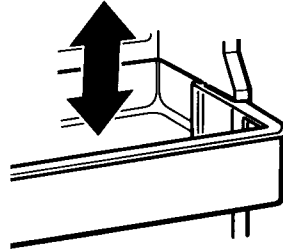
Removing the snap-on door trivet

To remove the trivet:

Remove all items from the shelf and lift trivet straight up.

To replace the trivet:

1. Line up ends of the trivet with the button on the door liner wall.
2. Push trivet straight down until it snaps securely into place.
3. Replace items on the shelf.



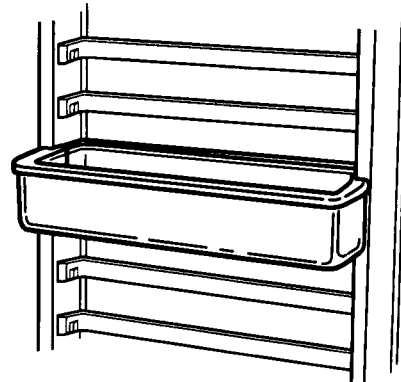
Adjusting the door bins

To remove the door bins:

1. Remove all items from the bin.
2. Push in on the tab at each side of the bin.
3. Pull bin straight out.

To replace the door bins:

1. Line up bin with the tabs on the door liner wall.
2. Push bin straight in until it snaps securely back into place.
3. Replace all items to the bin.



Removing the can rack

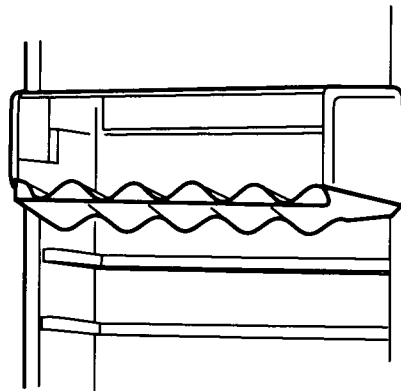
The dispenser holds five beverage cans in a convenient place, leaving more shelf space for larger items.

To remove dispenser:

1. Lift dispenser up.
2. Pull dispenser straight out.

To replace dispenser:

1. Hold back of dispenser above desired guide.
2. Push dispenser back and down until it stops.



Adjusting the cantilever refrigerator shelves

Adjust the shelves to match the way you use your refrigerator. Glass shelves are strong enough to hold bottles, milk, and other heavy food items.

To remove a shelf:

1. Remove items from shelf.
2. Tilt shelf up at front.
3. Lift shelf at back.
4. Pull shelf straight out.

To replace a shelf:

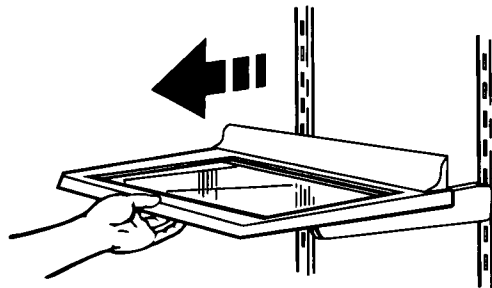
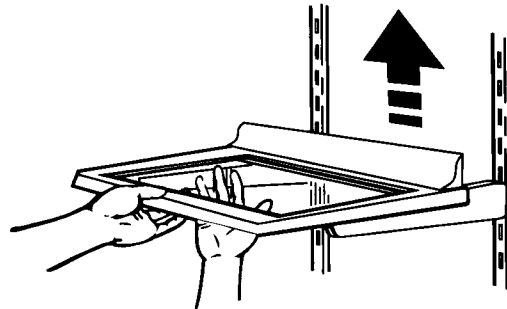
1. Guide the rear shelf hooks into the slots in the shelf supports on the back liner wall.
2. Tilt front of shelf up until hooks drop into slots.
3. Lower front of shelf to a level position.

To slide shelf out:

- Carefully pull front of shelf toward you.

To slide shelf in:

- Push shelf in until it stops.



Removing the meat locker and cover

To remove the meat locker:

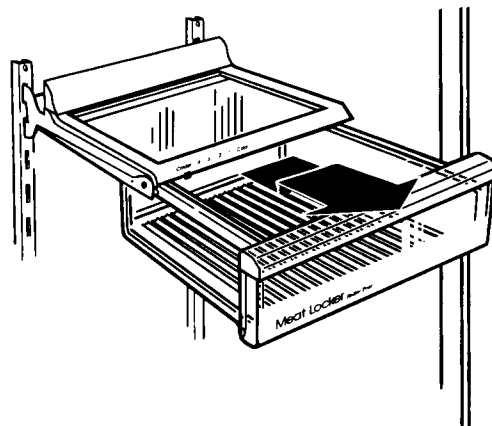
1. Slide meat locker straight out to the stop.
2. Lift the front slightly.
3. Slide out the rest of the way.
4. Replace in reverse order. Make sure boot is over air inlet in side wall.

To remove the cover:

1. Remove meat locker.
2. Lift front of cover off supports.
3. Lift cover out by pulling up and out.

To replace the cover:

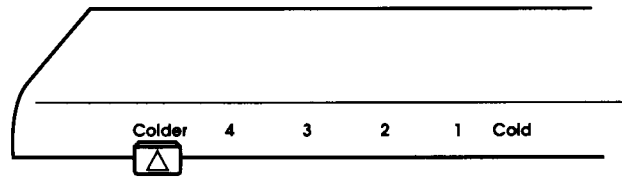
1. Fit back of cover into notch supports on walls of refrigerator.
2. Lower front into place.
3. Replace meat locker.



Adjusting the meat locker temperature

Cold air from the freezer flows into the meat locker. This helps keep the meat locker colder than the rest of the refrigerator for better storage of meats.

Slide the control from side to side to increase or decrease the temperature in the meat locker.



Removing the crispers and crisper covers

To remove the crispers:

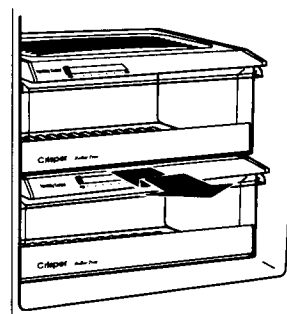
1. Slide crisper straight out to the stop.
2. Lift the front and slide out the rest of the way.
3. Replace in reverse order.

To remove the cover:

1. Hold cover firmly with both hands and lift front of cover off supports.
2. Lift cover out by pulling up and out.

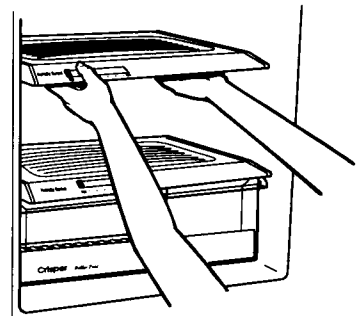
To replace the cover:

1. Fit back of cover into notch supports on walls of refrigerator.
2. Lower front into place.



Pull out to the stop, lift the front, and pull again.

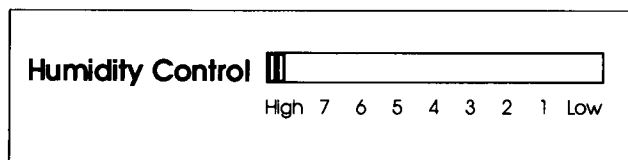
Remove the glass insert. Lift the cover front, then the back.
NOTE: Handle glass insert with care. It is heavy.



Adjusting the crisper humidity control

You can control the amount of humidity in the moisture-sealed crispers. Adjust the control to any setting between LOW and HIGH.

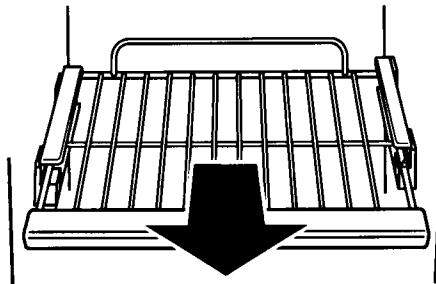
- LOW (open) lets moist air out of the crisper for best storage of fruits and vegetables with skins.
- HIGH (closed) keeps moist air in the crisper for best storage of fresh, leafy vegetables.



Removing the freezer shelf

To remove the shelf, lift up and pull the shelf all the way out.

To replace the shelf, place the shelf on the side rails and push it back until the round knob is behind the stop rail.



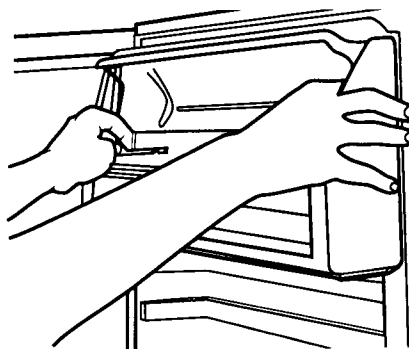
Using the utility compartment

The door on your utility compartment and the shelf are removable for easy access and cleaning.

To remove the door, open, push in slightly near the hinges and pull out.

To remove the shelf, lift and pull straight out.

Replace both in the reverse order.

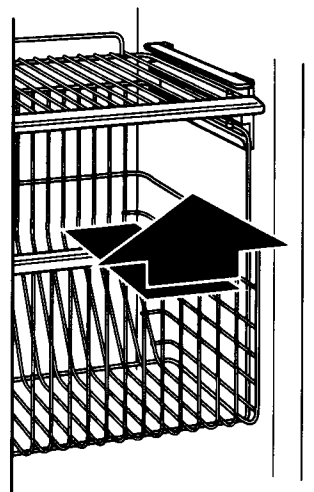


Removing the freezer baskets

The wire baskets are designed to be easily adjusted and to be slid out for access to items at the back of the basket.

To remove the basket, lift up and pull the basket all the way out.

To replace the basket, place the basket on the side rails and push it back until the round knob is behind the stop rail.



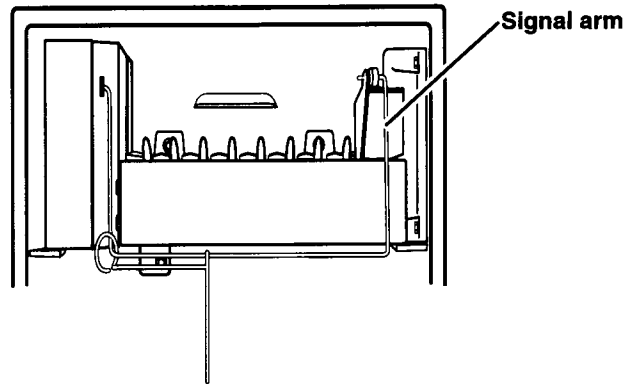
Using the automatic ice maker

Here are a few things you will want to know about your automatic ice maker:

- The ON/OFF lever is a wire signal arm. Move arm:
 DOWN to make ice automatically.
 UP to shut off the ice maker.

NOTE: Do not turn ice maker on until it is connected to the water supply. **Instructions for ice maker water supply hookup are attached to the back of the refrigerator cabinet.**

- It is normal for ice crescents to be attached by a corner. They break apart easily.
- The ice maker will not operate until the freezer is cold enough to make ice. This can take overnight.
- If ice is not being made fast enough and more ice is needed, turn the Refrigerator Control toward a higher number. Wait a day and, if necessary, turn the Freezer Control toward 7. Under normal conditions, the ice maker should produce seven to nine batches of ice within 24 hours.
- Good water quality is important for good ice quality. Try to avoid connecting the ice maker to a softened water supply. Water softener chemicals (such as salt from a malfunctioning softener) can damage the ice maker mold and lead to poor ice quality. If a softened water supply cannot be avoided, make sure the water softener is operating properly and is well maintained.



Solving common ice maker problems

PROBLEM	POSSIBLE CAUSE/SOLUTION
Ice crescents attached at corners	<ul style="list-style-type: none"> • This is normal. They break apart easily. Shake bin occasionally to keep cubes separated.
Ice maker will not operate or ice is not made fast enough	<ul style="list-style-type: none"> • ON/OFF lever is in the OFF (up) position. Lower lever to the ON (down) position. • Freezer is not cold enough. Adjust temperature controls and wait 24 hours. (See "Changing the control settings" on page 11.)
Off-taste or odor in ice	<ul style="list-style-type: none"> • New plumbing connections can cause discolored or off-flavored ice. Discard the first few batches of ice. • Cubes are stored too long. Throw them away and make a new supply. • Food is not wrapped properly. See page 27. • Freezer and ice bin need to be cleaned. See page 23. • Water may contain minerals (such as sulfur). A filter may be required to remove them.

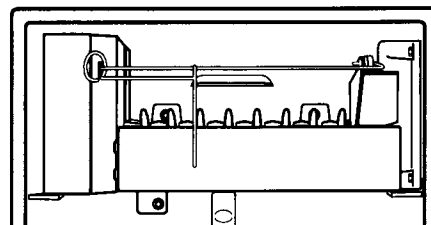
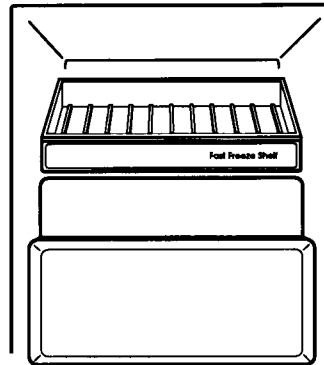
Removing the ice maker storage bin

Remove, empty, and clean the storage bin if:

- The ice dispenser has not, or will not, be used for a week or more
- A power failure causes ice in the bin to melt and freeze together
- The ice dispenser is not used regularly

To remove ice bin:

1. Pull the covering panel out from the bottom and slide it to the rear.
2. Lift the signal arm so it clicks into the OFF (up) position. Ice can still be dispensed, but no more can be made.
3. Lift the front of the storage bin and pull it out.
4. Empty the ice bin. Use hot or warm water to melt the ice if necessary. **Never use anything sharp** to break up ice in the bin. This can damage the bin and dispenser mechanism.
5. Wash with mild detergent. Rinse well. Do not use harsh or abrasive cleaners or solvents.
6. When replacing the bin, make sure it is pushed in all the way. Then push the signal arm down to the ON position to restart ice production.



Using the cold water and ice dispensers

The ice dispenser

Ice dispenses from the ice maker storage bin in the freezer. When you press the dispenser bar, a trapdoor opens in a chute between the dispenser and the ice bin. Ice moves from the bin and falls through the chute. When you release the dispenser bar, a buzzing sound may be heard for a few seconds as the trapdoor closes. The dispenser system will not operate when the freezer door is open.

For crushed ice, cubes are crushed before being dispensed. This may cause a slight delay when dispensing crushed ice. Noise from the ice crusher is normal, and pieces of ice may vary in size.

When changing from CRUSHED to CUBED, a few ounces of crushed ice will be dispensed along with the first cubes.

To dispense ice:


1. For **cubed ice**, move Ice Selector Switch to the CUBED position.

For **crushed ice**, move Ice Selector Switch to the CRUSHED position.

2. Press a **sturdy** glass against the ice dispenser bar. Hold the glass close to dispenser opening so ice does not fall outside of the glass.
3. Remove the glass to stop dispensing.

NOTE: The first few batches of ice may have an off-flavor from new plumbing and parts. Throw the ice away. Also, take large amounts of ice from the ice bin, not through the dispenser.

⚠ WARNING



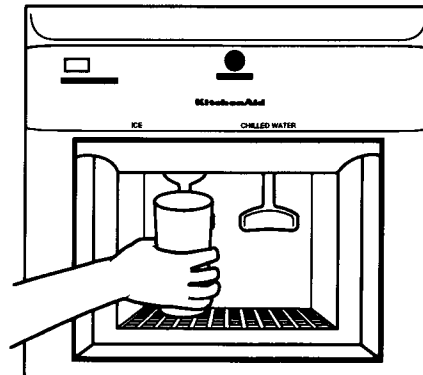
Cut Hazard
Use a sturdy glass when dispensing ice or water.
Failure to do so can result in cuts.



CRUSHED • CUBED



CRUSHED • CUBED



The water dispenser

Chilled water comes from a tank behind the meat drawer. It holds approximately 1½ quarts (1.5 L).

When the refrigerator is first hooked up, press the water dispenser bar with a glass or jar until you draw and discard two or three quarts (1.9 to 2.8 L). The water you draw and discard rinses the tank and pipes.

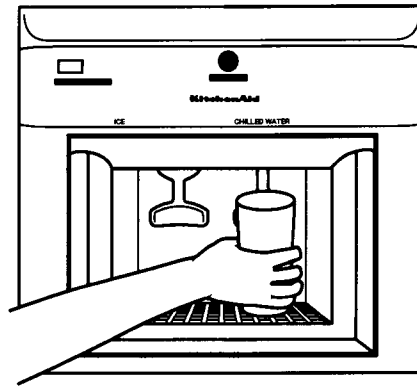
Allow several hours to cool a new tankful.

NOTE: The small tray beneath the dispenser is designed to evaporate **small** spills. There is no drain in this tray. **Do not** pour water into it.

To dispense water:

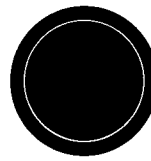
1. Press a **sturdy** glass against the water dispenser bar.
2. Remove the glass to stop dispensing.

NOTE: Dispense enough water every week to maintain a fresh supply.



The dispenser light

A light is activated when dispensing ice or water and an automatic night light that will come on when the room becomes dark.



NIGHT LITE

Solving common ice and water dispenser problems

PROBLEM	POSSIBLE CAUSE/SOLUTION
Ice dispenser will not work	<ul style="list-style-type: none"> • Freezer door is open. • Ice bin not properly installed. Make sure the bin is pushed in all the way. • Wrong ice in bin. Only use crescents from the ice maker. Shake the bin occasionally to separate cubes and increase storage room. • Dispenser not used for extended periods of time, causing ice cubes to melt together. Dump old ice and make a new supply.
Ice dispenser stops working	<ul style="list-style-type: none"> • Ice dispenser bar held in too long. Wait about three minutes for dispenser motor to reset. • Large amounts of ice should be taken from the bin, not through the dispenser.
Off taste or odor to ice or water	<ul style="list-style-type: none"> • New plumbing connections can cause discolored or off-flavored ice. Discard the first few batches of ice. • Cubes are stored too long. Throw them away and make a new supply. • Food is not wrapped properly. See page 27. • Freezer and ice bin need to be cleaned. See page 23. • Water may contain minerals (such as sulfur). A filter may be required to remove them.

Removing the base grille

To remove base grille:

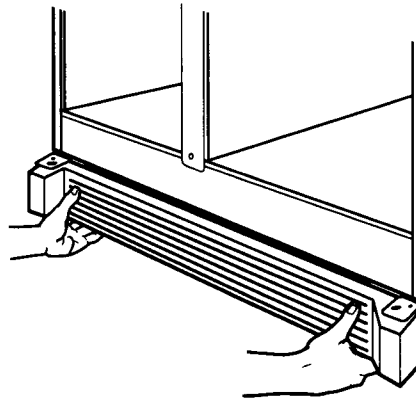
1. Open both doors.
2. Pull base grille forward to release the support tabs from the metal clips.

IMPORTANT: Do not remove Tech Sheet fastened behind the base grille.

To replace base grille:

1. Line up base grille support tabs with metal clips.
2. Push base grille firmly to snap into place.
3. Close the doors.

See cleaning instructions for defrost pan and condenser coils on page 24.



Changing the light bulbs

!WARNING



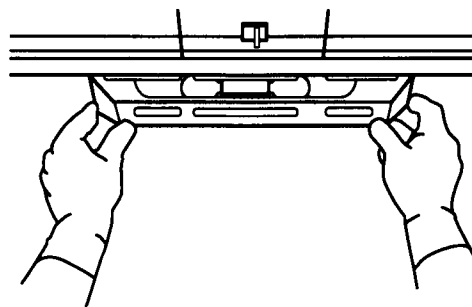
Electrical Shock Hazard

Unplug refrigerator before removing a light bulb.

Failure to do so can result in death or electrical shock.

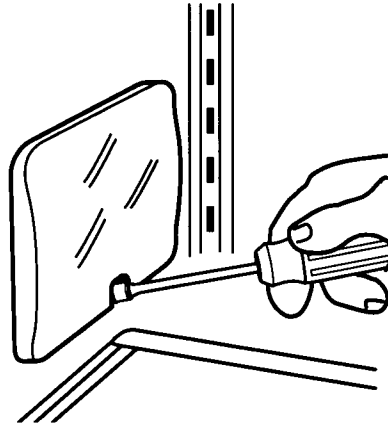
To change upper refrigerator light:

1. Unplug the refrigerator.
2. Remove the light bulb cover by pushing on the rear corners and slide back.
3. Replace bulb with a 40-watt appliance bulb.
4. Replace the light bulb cover by reversing step 2.
5. Plug in the refrigerator.



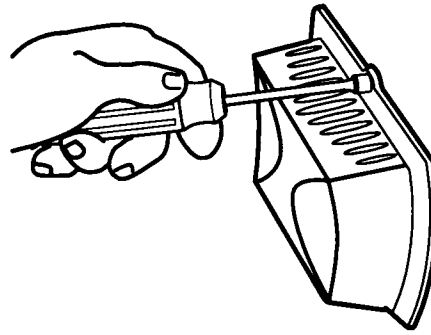
To change the lower refrigerator light:

1. Unplug the refrigerator.
2. Remove the light bulb cover using a socket wrench.
3. Replace bulb with a 40-watt appliance bulb.
4. Replace light bulb cover using the socket wrench.
5. Plug in the refrigerator.



To change the freezer light:

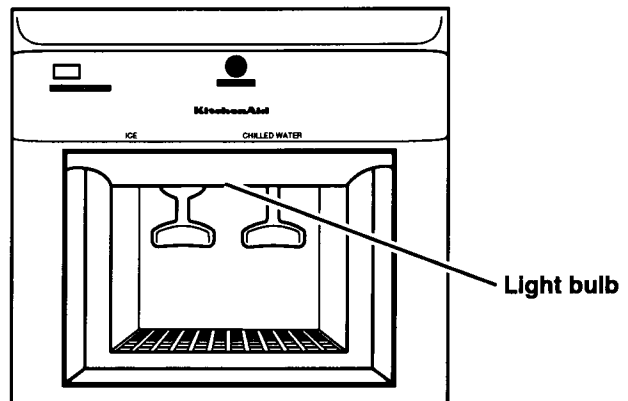
1. Unplug the refrigerator.
2. Remove the ice bucket by lifting and pulling forward.
3. Remove the light bulb cover using a socket wrench.
4. Replace bulb with a 40-watt appliance bulb.
5. Replace light bulb cover using the socket wrench.
6. Plug in the refrigerator.



To change dispenser area light:

1. Disconnect refrigerator from power supply.
2. Reach through dispenser area to remove bulb.
3. Replace with a heavy-duty 6-watt bulb, which can be purchased from your Whirlpool dealer.
4. Reconnect refrigerator to power supply.

NOTE: Not all commercial appliance bulbs will fit your refrigerator. Be sure to replace a bulb with one of the same size and shape.



Understanding the sounds you may hear

Your new refrigerator may make sounds that your old one didn't. Because the sounds are new to you, you might be concerned about them. Don't be. Most of the new sounds are normal. Hard surfaces like the floor, walls, and cabinets can make the sounds seem louder.

The following describes the kinds of sounds that might be new to you, and what may be making them.

Slight hum, soft hiss

You may hear the refrigerator's fan motor and moving air.

Clicking or snapping sounds

The thermostat makes a definite click when the refrigerator stops running. It also makes a sound when the refrigerator starts. The defrost timer will click when the defrost cycle starts. The defrost timer will click when the defrost cycle starts and the heater may sizzle or pop.

Water sounds

When the refrigerator stops running, you may hear gurgling in the tubing for a few minutes after it stops. You may also hear defrost water running into the defrost water pan.

Ice maker sounds

- trickling water
- thud (clatter of ice)

You may hear buzzing (from the water valve), trickling water, and the clatter of ice dumped into the bin.

Running sounds

Your refrigerator has a high-efficiency compressor and motor. It will run longer than older designs. It may even seem to run most of the time.

Saving energy

You can help your refrigerator use less electricity.

- Check door gaskets for a tight seal. Level the cabinet to be sure of a good seal.
- Clean the condenser coils regularly.
- Open the door as few times as possible. Think about what you need before you open the door. Get everything out at one time. Keep food organized so you won't have to search for what you want. Close door as soon as food is removed.
- Go ahead and fill up the refrigerator, but don't overcrowd it so air movement is blocked.
- It is a waste of electricity to set the refrigerator and freezer to temperatures colder than they need to be. If ice cream is firm in the freezer and drinks are as cold as your family likes them, that's cold enough.
- Make sure your refrigerator is not next to a heat source such as a range, water heater, furnace, radiator, or in direct sunlight.

Caring for Your Refrigerator

Your refrigerator is built to give you many years of dependable service. However, there are a few things you can do to help extend its product life. This section tells you how to clean your refrigerator and what to do when going on vacation, moving, or during a power outage.

Cleaning your refrigerator

Both the refrigerator and freezer sections defrost automatically. However, clean both about once a month to help prevent odors from building up. Wipe up spills right away.



To clean your refrigerator, unplug it, take out all removable parts, and clean the refrigerator according to the following directions.

⚠ WARNING

Burn Hazard

Do not touch refrigeration tubes near the defrost pan.

Doing so can result in burns.

PART	WHAT TO USE	HOW TO CLEAN
Removable parts (shelves, crisper, etc.)	Sponge or cloth with mild detergent and warm water	<ul style="list-style-type: none"> • Hand wash, rinse, and dry thoroughly.
Outside	Sponge, cloth, or paper towel with mild detergent, warm water, and a good appliance wax (or good auto paste wax)	<ul style="list-style-type: none"> • Wash outside of cabinet. Do not use abrasive or harsh cleaners. • Wipe and dry thoroughly. • Wax painted metal surfaces at least twice a year. Apply wax with a clean, soft cloth. Waxing painted metal surfaces provides rust protection. Do not wax plastic parts.
Inside walls (allow freezer to warm up so cloth won't stick)	Sponge, soft cloth, or paper towel with baking soda or mild detergent and warm water	<ul style="list-style-type: none"> • Wash with mixture of warm water and: <ul style="list-style-type: none"> – mild detergent, or – baking soda (2 tbs to 1 qt [26 g to .95 L] of water) • Wipe and dry thoroughly.
Door liners and gaskets	Sponge, soft cloth, or paper towel with mild detergent and warm water	<ul style="list-style-type: none"> • Wash, wipe, and dry thoroughly. <p>DO NOT USE cleaning waxes, concentrated detergents, bleaches, or cleaners containing petroleum on plastic parts.</p>
Plastic parts (covers and panels)	Soft, clean sponge or soft, clean cloth with mild detergent and warm water	<ul style="list-style-type: none"> • Wash, wipe, and dry thoroughly. <p>DO NOT USE paper towels, window sprays, scouring cleansers, or flammable fluids. These can scratch or damage material. See "Important Safety Instructions" on page 3.</p>

continued on next page

PART	WHAT TO USE	HOW TO CLEAN
Defrost pan	Sponge or cloth with mild detergent and warm water	<ul style="list-style-type: none"> • Remove base grille. (See page 20.) • Reach into small opening at right edge and remove the defrost pan. • Wash, rinse, and dry thoroughly. • Replace defrost pan. Make sure to push it completely into the opening. • Replace base grille.
Condenser coils	Vacuum cleaner with extended narrow attachment	<ul style="list-style-type: none"> • Remove base grille. • Vacuum coils when dusty or dirty. Coils may need to be cleaned as often as every other month. • Replace base grille.

Vacation and moving care

Short vacations

No need to shut off the refrigerator if you will be away for less than four weeks.

1. Use up any perishables.
2. Freeze other items.
3. If your refrigerator has an automatic ice maker:
 - Raise signal arm to OFF (up) position.
 - Shut off water supply to the ice maker.

Long vacations

If you will be gone a month or more:

1. Remove all food from the refrigerator.
2. If your refrigerator has an automatic ice maker:
 - Turn off the water supply to the ice maker at least one day ahead of time.
 - When the last load of ice drops, turn off the ice maker. Make sure all ice is dispensed out of the ice maker mechanism.
3. Unplug the refrigerator.
4. Clean it, wipe well, and dry.
5. Tape rubber or wood blocks to the tops of both doors to prop them open far enough for air to get in. This stops odor and mold from building up.

To restart refrigerator, see page 11.

Moving

When you are moving the refrigerator to a new home:

1. If your refrigerator has an automatic ice maker:
 - Turn off the water supply to the ice maker at least one day ahead of time.
 - Disconnect the water line.
 - After the last load of ice drops, lift the signal arm to the OFF (up) position.
2. Remove all food from the refrigerator.
3. Pack all frozen food in dry ice.
4. Unplug the refrigerator.
5. Clean it thoroughly. Wipe well and dry.
6. Take out all removable parts, wrap them well, and tape them together so they don't shift and rattle.
7. Screw in the leveling rollers.
8. Tape the doors shut and tape the power supply cord to the cabinet.

When you get to your new home, put everything back and refer to "Installing Your Refrigerator" on page 5.

Power interruptions

If electricity goes off, call the power company. Ask how long power will be off.

1. If service will be interrupted 24 hours or less, **keep both doors closed**. This helps foods stay frozen.
2. If service will be interrupted longer than 24 hours:
 - (a) Remove all frozen food and store in a frozen food locker.
 - OR**
 - (b) Place 2 lbs. (907 g) of dry ice in freezer for every cubic foot (liter) of freezer space. This will keep food frozen for two to four days. Wear gloves to protect your hands from dry ice burns.
 - OR**
 - (c) If neither a food locker nor dry ice is available, use or can perishable food at once.
3. A full freezer stays cold longer than a partly filled one. A freezer full of meat stays cold longer than a freezer full of baked goods. If food contains ice crystals, it may be safely refrozen, although the quality and flavor may be affected. If the condition of the food is poor, or if you feel it is unsafe, dispose of it.

Questions?

Call our Consumer Assistance Center telephone number, **1-800-422-1230**, from anywhere in the U.S.A.

Food Storage Guide

There is a correct way to package and store refrigerated or frozen food. To keep food fresher, longer, take the time to study these recommended steps.

Storing fresh food

Wrap or store food in the refrigerator in airtight and moisture-proof material. This prevents food odor and taste transfer throughout the refrigerator. For dated products, check code date to ensure freshness.

Leafy vegetables

Remove store wrapping and trim or tear off bruised and discolored areas. Wash in cold water and drain. Place in plastic bag or plastic container and store in crisper.

Vegetables with skins

(carrots, peppers)

Store in crisper, plastic bags, or plastic container.

Fruit

Wash, let dry, and store in refrigerator in plastic bags or crisper. Do not wash or hull berries until they are ready to use. Sort and keep berries in original container in a crisper, or store in a loosely closed paper bag on a refrigerator shelf.

Eggs

Store without washing in original carton on interior shelf. On some models, an egg storage container is provided for your convenience.

Milk

Wipe milk cartons. For best storage, place milk on interior shelf.

Butter or margarine

Keep opened butter in covered dish or closed compartment. When storing an extra supply, wrap in freezer packaging and freeze.

Cheese

Store in the original wrapping until you are ready to use it. Once opened, rewrap tightly in plastic wrap or aluminum foil.

Leftovers

Cover leftovers with plastic wrap or aluminum foil. Plastic containers with tight lids can also be used.

Meat

Store most meat in original wrapping as long as it is airtight and moisture-proof. Rewrap if necessary. See the following for storage times. When storing meat longer than the times given, freeze the meat.

Chicken	1-2 days	Bacon	5-7 days
Ground beef	1-2 days	Cold cuts	3-5 days
Steaks/roasts	3-5 days	Variety meats	1-2 days
Cured meats ...	7-10 days		

NOTE: Use fresh fish and shellfish the same day as purchased.

Storing frozen food

The freezer section is designed for storage of commercially frozen food and for freezing food at home.

NOTE: For further information about preparing food for freezing or food storage times, check a freezer guide or reliable cookbook.

Packaging

The secret of successful freezing is in the packaging. The way you close and seal the package must not allow air or moisture in or out. Packaging done in any other way could cause food odor and taste transfer throughout the refrigerator and drying of frozen food.

Do not use:

- Bread wrappers
- Non-polyethylene plastic containers
- Containers without tight lids
- Wax paper
- Wax-coated freezer wrap
- Thin, semi-permeable wrap

The use of these wrappings could cause food odor, taste transfer, and drying of frozen food.

Packaging recommended for use:

- Rigid plastic containers with tight-fitting lids
- Straight-sided canning/freezing jars
- Heavy-duty aluminum foil
- Plastic-coated paper
- Non-permeable plastic wraps (made from saran film)

Follow package or container instructions for proper freezing methods.

Freezing

Do not expect your freezer to quick-freeze any large quantity of food. Put no more unfrozen food into the freezer than will freeze within 24 hours (no more than 2-3 lbs. of food per cubic foot [900-1,350 g per liter] of freezer space). Leave enough space for air to circulate around packages. Be careful to leave enough room at the front so the door can close tightly.

Storage times will vary according to the quality of the food, the type of packaging or wrap used (airtight and moisture-proof), and the storage temperature, which should be 0°F (-17.8°C).

Troubleshooting

Performance problems often result from little things you can fix without tools. Please read through “Before calling for assistance ...” below before calling for service on your appliance.

Before calling for assistance ...

Listed in this chart are the most common problems consumers run into with their appliances. Please read through this and see if it can solve your problem.

PROBLEM	CHECK THE FOLLOWING
Your refrigerator will not operate	<p>Is the power supply cord firmly plugged into a live circuit with proper voltage?</p> <p>Has a household fuse or circuit breaker blown/tripped?</p> <p>Is the Refrigerator Control set to the OFF position?</p>
The lights do not work	<p>Is the power supply cord firmly plugged into a live circuit with proper voltage?</p> <p>Has a household fuse or circuit breaker blown/tripped?</p> <p>Is a bulb burned out?</p>
The ice maker does not work	<p>Is the freezer cold enough to make ice? It could take overnight for the freezer to reach the proper temperature.</p> <p>Is the ON/OFF lever in the ON (down) position? (See page 16.)</p> <p>Is the water valve turned on?</p> <p>Does the water line have a clog or leak?</p>
Dispensers do not work	<p>Is the freezer door closed?</p>
Unfamiliar sounds or a rattling/jingling noise	<p>Is something on top of or behind the refrigerator?</p> <p>Some new sounds are normal. See “Understanding the sounds you may hear” on page 22.</p>
There is water in the defrost pan	<p>This is normal on hot, muggy days. Make sure the refrigerator is level so the pan does not overflow.</p>
The motor seems to run too much	<p>Are the condenser coils dirty?</p> <p>Has the door been opened often? Has a large amount of food been added at one time? The motor naturally runs longer if these things happen.</p> <p>Is the room hot? If the room is too warm, the motor runs longer to keep the unit cool.</p>

Requesting Assistance or Service

Before calling for assistance or service, please check "Troubleshooting" on page 28. It may save you the cost of a service call. If you still need help, follow the instructions below.

For service in the U.S.

1. If the problem is not due to one of the items on page 28:

Call the KitchenAid Consumer Assistance Center toll-free:



1-800-422-1230

and talk with one of our trained consultants. The consultant can instruct you in how to obtain satisfactory operation from your appliance or, if service is necessary, recommend a qualified service company in your area.

If you prefer, write to:

Consumer Assistance Center
KitchenAid
2000 North M-63
Benton Harbor, MI 49022

Please include a daytime phone number in your correspondence.

2. If you need service:

- Call your dealer or the repair service he recommends.



All service should be handled locally by the dealer from whom you purchased the unit or an authorized KitchenAid servicer.

- If you are unable to obtain the name of a local authorized KitchenAid servicer, call our Consumer Assistance Center telephone number (see Step 1).

3. If you are not satisfied with the action taken:

- Contact the Major Appliance Consumer Action Program (MACAP). MACAP is a group of consumer experts that voices consumer views at the highest levels of the major appliance industry.
- Contact MACAP only when the dealer, authorized servicer, and KitchenAid have failed to resolve your problem.

Major Appliance Consumer Action Program
20 North Wacker Drive
Chicago, IL 60606

- MACAP will in turn inform us of your action.

* When asking for help or service:

Please provide a detailed description of the problem, your appliance's complete model and serial numbers, and the purchase date. (See page 2.) This information will help us respond properly to your request.

For service in Canada

1. If the problem is not due to one of the items on page 28 and you need service:

- Call your dealer or the repair service he recommends.



- In the event you are unable to obtain the name of a local authorized KitchenAid service outlet, look in the yellow pages of all metro area telephone directories under "Dishwashing Machines" for authorized KitchenAid servicing outlets.

- All service should be handled locally by the dealer from whom you purchased the refrigerator or by an authorized KitchenAid service outlet.

2. If you must call or write:

- Please provide your complete model number, serial number, date of purchase, and a complete description of the problem. Write to:

Consumer Relations Department
 KitchenAid Canada
 1901 Minnesota Court
 Mississauga, Ontario
 L5N 3A7
 Telephone: (905) 821-6606

Please include a daytime phone number in your correspondence.

KitchenAid Canada Appliance Service – Consumer Services

Direct service branches:

BRITISH COLUMBIA	Vancouver	KitchenAid Canada Appliance Service 3627 E. 4th Avenue	(604) 291-6426 1-800-665-6788
	Victoria	KitchenAid Canada Appliance Service 3117 Steele Street	(604) 383-2298 1-800-665-6788
ALBERTA	Calgary	KitchenAid Canada Appliance Service #15, 6025 12th Street S.E.	(403) 253-9267 1-800-661-1022
	Edmonton	KitchenAid Canada Appliance Service 16236 116th Avenue	(403) 453-3900 1-800-661-6291
ONTARIO	Toronto (Mississauga)	KitchenAid Canada Appliance Service 5945 Ambler Drive	(905) 624-2800 1-800-807-6777
	Toronto (Markham)	KitchenAid Canada Appliance Service Unit #1, 110 Torbay Road	(905) 475-9511 1-800-807-6777
	Ottawa	KitchenAid Canada Appliance Service 28 Capital Drive	(613) 225-0510 1-800-267-3456
MANITOBA	Winnipeg	KitchenAid Canada Appliance Service 1683 Church Avenue	(204) 694-5308 1-800-665-1683
SASKATCHEWAN	Montreal (Laval)	KitchenAid Canada Appliance Service 2750, Francis-Hughes	(514) 382-8110 1-800-361-3032
	Brossard	KitchenAid Canada Appliance Service 9605 F. Ignace Street	(514) 397-1840 1-800-361-0950
	Quebec City	KitchenAid Canada Appliance Service 5275, Blvd. Wilfrid-Hamel, Suite 140	(418) 871-5251 1-800-463-1523
	Sherbrooke (Rock Forest)	KitchenAid Canada Appliance Service 3475, Industrial Blvd.	(819) 564-6565 1-800-567-6966
NOVA SCOTIA	Dartmouth	KitchenAid Canada Appliance Service 900 Windmill Road	(902) 468-6634 1-800-565-1598

For service in areas other than those listed, contact your Appliance Dealer.

KitchenAid*

Freestanding Refrigerator

Warranty

LENGTH OF WARRANTY:	KITCHENAID WILL PAY FOR:	KITCHENAID WILL NOT PAY FOR:
ONE YEAR FULL WARRANTY FROM DATE OF PURCHASE	Replacement parts and repair labor costs to correct defects in materials or workmanship. Service must be provided by an authorized KitchenAid servicing outlet.	A. Service calls to: <ol style="list-style-type: none"> 1. Correct the installation of the refrigerator. 2. Instruct you how to use the refrigerator. 3. Replace house fuses or correct house wiring. 4. Replace house plumbing. B. Repairs when refrigerator is used in other than normal home use. C. Damage resulting from accident, alteration, misuse, abuse, improper installation, or installation not in accordance with local electrical codes or plumbing codes. D. Any food loss due to product failure. E. Any labor costs during the limited warranty. F. Replacement parts or repair labor costs for units operated outside the United States. G. Pickup and delivery. This product is designed to be repaired in the home. H. Repairs to parts or systems caused by unauthorized modifications made to the appliance.
SECOND THROUGH FIFTH YEAR FULL WARRANTY FROM DATE OF PURCHASE	Replacement or repair of the refrigerator/freezer cavity liner, (including labor costs) if the part cracks due to defective materials or workmanship. Service must be provided by an authorized KitchenAid servicing outlet. Replacement parts and repair labor costs to correct defects in materials or workmanship in the sealed refrigeration system. These parts are: <ol style="list-style-type: none"> 1. Compressor; 2. Evaporator; 3. Condenser; 4. Drier; 5. Connecting Tubing. Service must be provided by an authorized KitchenAid servicing outlet.	
SIXTH THROUGH TENTH YEAR LIMITED WARRANTY FROM DATE OF PURCHASE	Replacement parts to correct defects in materials or workmanship in the sealed refrigeration system. These parts are: <ol style="list-style-type: none"> 1. Compressor; 2. Evaporator; 3. Condenser; 4. Drier; 5. Connecting Tubing. 	

4/95

KITCHENAID AND KITCHENAID CANADA DO NOT ASSUME ANY RESPONSIBILITY FOR INCIDENTAL OR CONSEQUENTIAL DAMAGES. Some states or provinces do not allow the exclusion or limitation of incidental or consequential damages, so this exclusion or limitation may not apply to you.

This warranty gives you specific legal rights and you may also have other rights which may vary from state to state or province to province.

If you need service, first see the "Troubleshooting" section of this book. After checking "Troubleshooting," additional help can be found in the "Requesting Assistance or Service" section or by calling our Consumer Assistance Center telephone number, **1-800-422-1230**, from anywhere in the U.S. For service in Canada, see "For service in Canada" on page 30.

Guide d'utilisation et d'entretien



Table des matières (complète)	2
Veillez noter	2
Sécurité du réfrigérateur	3
Pièces et caractéristiques	4
Installation du réfrigérateur	5
Utilisation du réfrigérateur	11
Entretien du réfrigérateur	23
Conservation des aliments	26
Dépannage	28
Appel d'aide ou de service	29
Garantie	30

**RÉFRIGÉRATEUR – CONGÉLATEUR KITCHENAID*
AMOVIBLE/ENCASTRÉ DE 20 PI³**

Table des matières

	Page		Page
Veillez noter	2	Réglage de la température dans le casier à viande	14
Sécurité du réfrigérateur	3	Retrait des bacs à légumes et du couvercle	14
Pièces et caractéristiques	4	Réglage de l'hygrostat des bacs à légumes	14
Installation du réfrigérateur	5	Retrait de la clayette du congélateur	15
Nettoyage du réfrigérateur	5	Utilisation du compartiment utilitaire	15
Branchement	5	Retrait des paniers du congélateur	15
Enlèvement de la base de bois	6	Utilisation de la machine à glaçons automatique	16
Mise d'aplomb du réfrigérateur	6	Retrait du bac de la machine à glaçons	17
Enlèvement des portes et des poignées	7	Utilisation du système de distribution d'eau froide et de glaçons	18
Alignement des portes	7	Retrait de la grille de la base	20
Raccordement de la machine à glaçons à la canalisation d'eau	8	Remplacement des ampoules électriques	21
Utilisation du réfrigérateur	11	Les bruits de l'appareil	22
Réglage des commandes	11	Conseils pour économiser l'énergie	22
Changement du réglage des commandes	11	Entretien du réfrigérateur	23
Retrait du balconnet emboîtable	12	Conservation des aliments	26
Réglage des balconnets des portes	12	Dépannage	28
Extraction du distributeur de canettes	12	Appel d'aide ou de service	29
Réglage de la position des étagères du réfrigérateur	13	Garantie	30
Retrait du casier à viande et du couvercle	13		

Veillez noter

Merci d'avoir acheté un appareil ménager KITCHENAID*.

Les appareils KITCHENAID possèdent tout ce que vous prévoyez d'un appareil supérieur, plus le style distinct et les détails bien réfléchis qui contribuent à l'aspect général de votre foyer et à votre utilisation satisfaisante. Pour que cet appareil vous procure un service sans problème pendant plusieurs années, veuillez lire et suivre les instructions de ce Guide d'utilisation et d'entretien. Ce guide contient une foule de renseignements utiles qui vous aideront à utiliser et à entretenir votre appareil ménager convenable et en sécurité. Veuillez le lire attentivement.

Veillez aussi remplir et poster la carte ci-incluse d'enregistrement du produit.

Veillez inscrire les renseignements concernant votre réfrigérateur.

Si jamais vous avez besoin de service pour votre appareil ménager, vous devrez connaître le numéro de modèle et le numéro de série. Ces renseignements sont indiqués sur la plaque signalétique des numéros de modèle et de série (voir schéma, page 4).

Veillez également noter la date d'achat du produit ainsi que les nom, adresse et numéro de téléphone du marchand.

Numéro de modèle _____

Numéro de série _____

Date d'achat _____

Nom du marchand _____

Adresse du marchand _____

Téléphone du marchand _____

Conservez cette brochure et la facture de vente en lieu sûr pour référence ultérieure.

Sécurité du réfrigérateur

Votre sécurité nous tient à coeur.

Ce guide contient des instructions de sécurité sous des symboles d'avertissement. Veuillez accorder une attention particulière à ces symboles et observer toutes les instructions qui les accompagnent. Voici une brève explication du sens de ce symbole.

⚠ AVERTISSEMENT

Ce symbole vous avertit de dangers tels que incendie, choc électrique, brûlures, et blessures.

IMPORTANTES INSTRUCTIONS DE SÉCURITÉ

⚠ AVERTISSEMENT

Pour réduire les risques d'incendie, de choc électrique ou de blessures lors de l'utilisation du réfrigérateur, prendre quelques précautions fondamentales, y compris les suivantes :

- Lire toutes les instructions avant d'utiliser le réfrigérateur.
- Les enfants qui s'enferment ou qui suffoquent dans un réfrigérateur ne sont pas choses du passé. Les réfrigérateurs abandonnés ou mis au rebut présentent des risques ... même "s'ils ne sont dans le garage que pour quelques jours".
Ne prendre aucun risque au moment de se défaire d'un réfrigérateur usagé. Lire le livret ci-joint concernant la sécurité de l'Association des fabricants d'appareils électroménagers. Contribuer à la prévention des accidents.
- Ne jamais permettre à un enfant de faire fonctionner un réfrigérateur, de jouer avec l'appareil ou de se glisser à l'intérieur.
- Ne jamais nettoyer les pièces du réfrigérateur au moyen de liquides inflammables. Les vapeurs risquent de provoquer un incendie ou une explosion.

• POUR VOTRE SÉCURITÉ •

NE PAS FUMER NI N'UTILISER D'ESSENCE OU AUTRES VAPEURS ET LIQUIDES INFLAMMABLES À PROXIMITÉ DU RÉFRIGÉRATEUR OU DE TOUT AUTRE APPAREIL. LES VAPEURS RISQUENT DE PROVOQUER UN INCENDIE OU UNE EXPLOSION.

– CONSERVER CES INSTRUCTIONS –

Aidez-nous à vous aider

Veuillez :

- Installer le réfrigérateur et le mettre de niveau sur un plancher qui en supportera le poids, et dans un endroit convenant à sa taille et à son utilisation.
- Ne pas installer le réfrigérateur près d'un four, d'un radiateur ou autre source de chaleur.
- Ne pas utiliser le réfrigérateur dans un endroit où la température ambiante sera inférieure à 13°C (55°F).
- Garder le réfrigérateur à l'abri des intempéries.
- Brancher le réfrigérateur seulement à la prise de courant du type correct, avec l'alimentation électrique et la mise à la terre appropriées. (Se référer à la fiche "Spécifications de l'alimentation électrique et méthode de liaison à la terre".)
- Ne pas remplir le réfrigérateur d'aliments avant qu'il n'ait le temps d'être bien froid.
- Utiliser le réfrigérateur uniquement pour l'usage décrit dans ce manuel.
- Bien entretenir le réfrigérateur.
- Vérifier que le réfrigérateur n'est pas utilisé par une personne qui en ignore le fonctionnement.

Pièces et caractéristiques

Cette section présente des illustrations descriptives de l'appareil ménager. L'utilisateur pourra ainsi se familiariser avec toutes les pièces et caractéristiques de l'appareil, et leur apparence. Cette brochure contient également des pages de référence.

REMARQUE : Le réfrigérateur acheté peut comporter toutes les pièces et caractéristiques représentées ici ou seulement certaines d'entre elles, et elles peuvent parfois ne pas correspondre exactement à l'illustration. Ce manuel couvre plusieurs modèles.

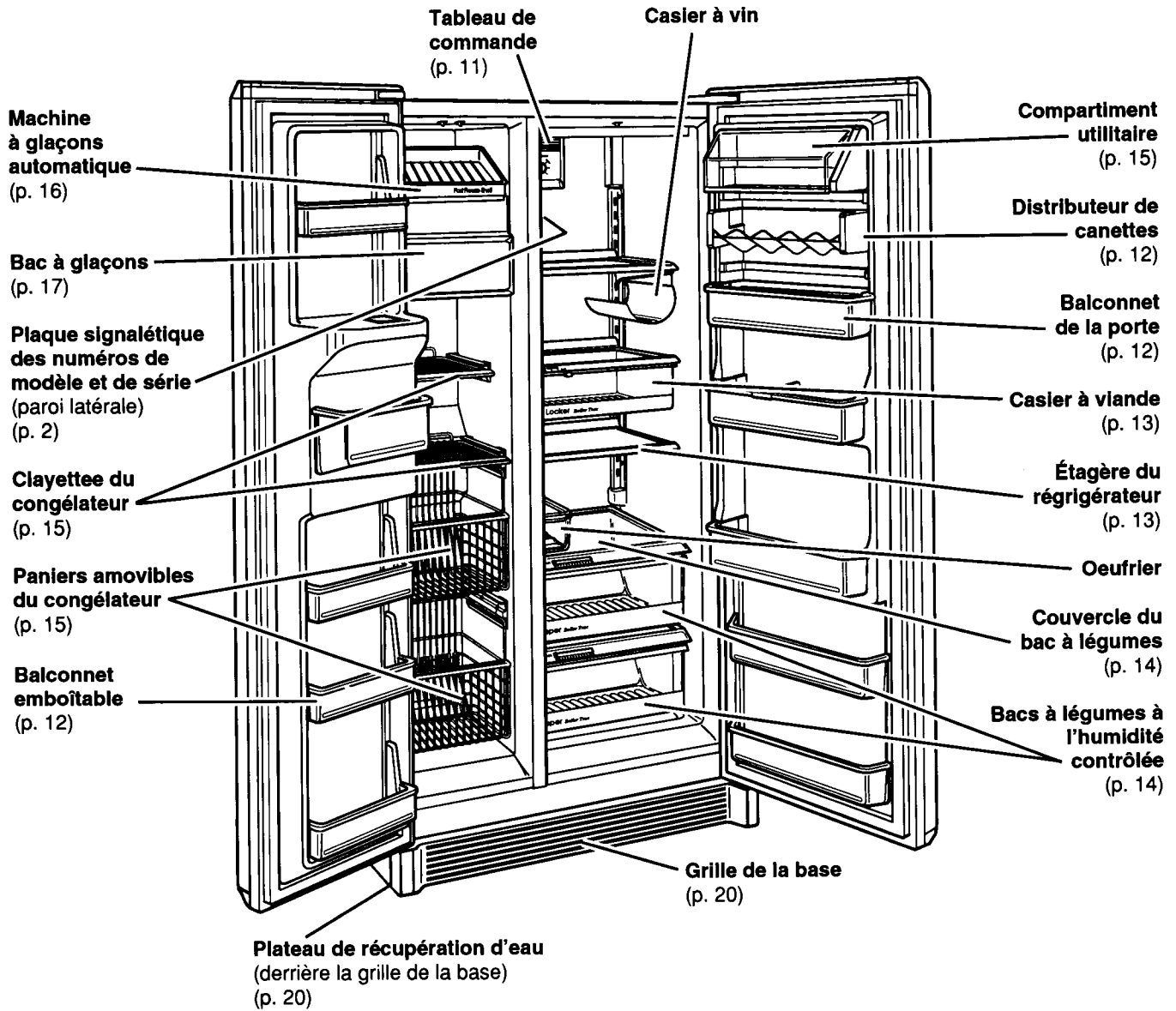
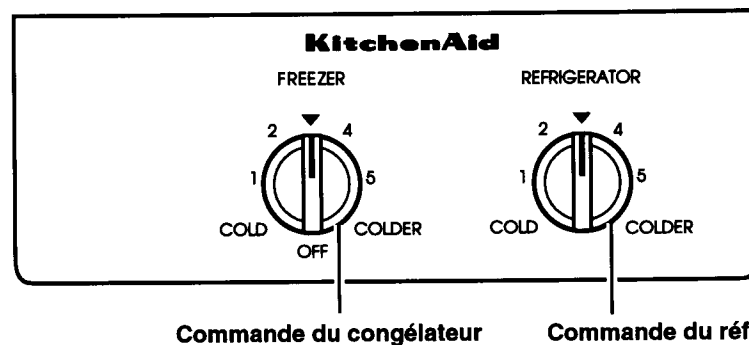


Tableau de commande



Installation du réfrigérateur

⚠ AVERTISSEMENT



Risque de choc électrique

Débrancher le réfrigérateur de la prise avant d'installer.

Le non-respect de cette instruction peut être la cause d'un accident mortel ou choc électrique.

Lors de l'installation du réfrigérateur, veiller à laisser un espace libre de 1,25 cm (1/2 po) de chaque côté et au sommet du réfrigérateur, pour faciliter la mise en place. On peut placer l'appareil en affleurement contre le mur arrière. Vous devez apporter des gantes pendant l'installation du réfrigérateur.

Nettoyage du réfrigérateur

Enlèvement des étiquettes commerciales

Avant d'utiliser le réfrigérateur, enlever le ruban adhésif et toutes les étiquettes à l'intérieur du réfrigérateur (sauf l'étiquette des numéros de modèle et de série).

Pour éliminer l'adhésif tenace :

- Frotter vivement à l'aide du pouce de façon à former une boule, puis enlever.

OU

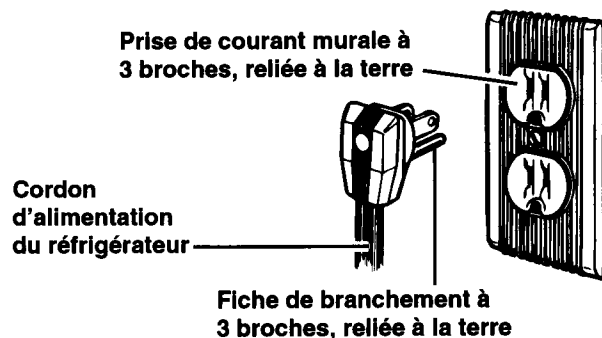
- Verser du détergent à vaisselle liquide sur la zone concernée et laisser tremper avant d'enlever l'adhésif comme décrit ci-dessus. Ne pas utiliser d'instruments acérés, d'alcool à friction, de solvants inflammables ou de produits d'entretien abrasifs; cela peut endommager le matériau du réfrigérateur. Voir "Importantes instructions de sécurité" à la page 3.

REMARQUE : Ne pas enlever les étiquettes d'instructions permanentes apposées à l'intérieur du réfrigérateur. Ne pas retirer la fiche technique fixée sous le réfrigérateur, à l'avant.

Branchement

Vérifier qu'il y a une source d'alimentation de 115 volts, 60 Hz, 15 ou 20 ampères CA seulement, protégée par fusible et adéquatement mise à la terre, est nécessaire. Il est recommandé d'utiliser un circuit distinct pour alimenter uniquement cet appareil. Utiliser une prise murale qui ne puisse être mise hors circuit à l'aide d'un commut-ateur ou d'une chaîne. Ne pas employer de rallonge.

Consulter la fiche "Spécifications de l'alimentation électrique et méthode de liaison à la terre" se trouvant dans la documentation.



Enlèvement de la base de bois

⚠ AVERTISSEMENT

Risque du poids excessif

Utiliser deux ou plus de personnes pour déplacer le réfrigérateur.

Le non respect de cette instruction peut être la cause d'une blessure au dos ou à l'autre partie du corps.

1. Immobiliser les portes à la position de fermeture avec du ruban adhésif.
2. Insérer un chariot sous un côté du réfrigérateur.
3. Envelopper le réfrigérateur d'une couverture ou d'un autre matériau de protection, et placer la sangle du chariot autour du réfrigérateur. Placer ensuite les matériaux de protection en mousse de l'emballage du réfrigérateur, sous la sangle, et serrer doucement.
4. Abaisser le chariot jusqu'au plancher, pour que les poignées du chariot reposent sur le sol. Ôter les deux vis de la base de bois; remettre le chariot à la position verticale. Ôter la sangle.

5. Insérer le chariot sous le côté opposé du réfrigérateur, et répéter les étapes 3 à 4. Lorsque ceci est terminé, jeter les vis et la base de bois.
6. Après avoir enlevé la base de bois, positionner le réfrigérateur à son emplacement de service. Vérifier que le plancher sous le réfrigérateur est suffisamment solide, et qu'il peut soutenir une charge de 945 livres.

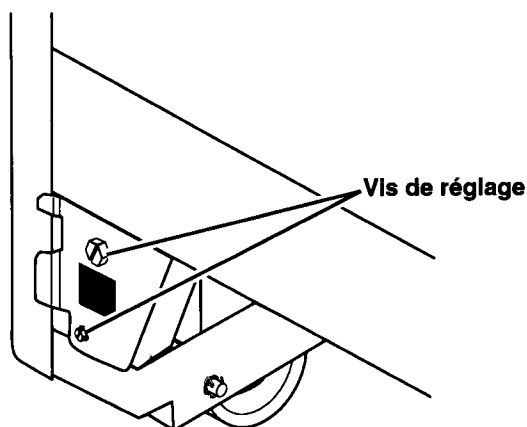
REMARQUE : Pour le modèle KSBS20Q, voir les instructions d'installation fournies avec le réfrigérateur, au sujet de l'installation des panneaux et pièces de garniture sur les portes. On peut acheter un ensemble de garniture séparé chez un concessionnaire autorisé local pour le modèle KSFS20Q

Mise d'aplomb du réfrigérateur

Faire déplacer le réfrigérateur à la position finale. Utiliser un niveau et vérifier qu'il est à niveau. Faites-le avant de raccorder la machine à glaçons à la canalisation d'eau. Le réfrigérateur comporte quatre vis dont le réglage détermine l'aplomb du réfrigérateur - deux à droite et deux à gauche. Lorsqu'un réglage est nécessaire, procéder comme suit.

1. Ôter la grille de la base (voir page 20).
2. Faire tourner la vis de réglage dans le sens horaire pour soulever le réfrigérateur, ou dans le sens antihoraire pour l'abaisser. La vis supérieure commande le réglage à l'arrière du réfrigérateur; la vis inférieure commande le réglage à l'arrière l'avant du réfrigérateur. Les vis du côté droit agissent sur la section réfrigérateur; les vis du côté gauche agissent sur la section congélateur.
3. Après le réglage, contrôler l'aplomb du réfrigérateur avec un niveau.
4. Si l'aplomb est correct, réinstaller la grille de la base.

IMPORTANT : Si le réfrigérateur n'est pas d'aplomb du fait d'imperfection du plancher, placer des cales sous les roulettes pour ajuster l'aplomb.



Enlèvement des portes et des poignées

On peut démonter les portes et les poignées du réfrigérateur si nécessaire.

Enlèvement des poignées :

1. Ôter le couvercle du commutateur du distributeur de glace broyée ou en cubes (tiré vers l'avant). Libérer les agrafes au bas du couvercle du distributeur en insérant la lame protégée par du ruban adhésif d'un couteau à mastic sous le couvercle, et tirer vers l'extérieur. Libérer les agrafes supérieures : maintenir le bas du couvercle du distributeur vers l'extérieur, et faire coulisser vers le haut.
2. Sur le modèle KSBS20Q, ôter l'embout de garniture au sommet de la poignée en ôtant les vis avec un tournevis Phillips. Ôter ensuite les garnitures encastrées de la poignée de porte en insérant la lame protégée par du ruban adhésif d'un tournevis au sommet de la poignée de porte, entre la poignée et la garniture encastrée; détacher les garnitures encastrées sur toute la longueur de la poignée. Sur le modèle KSFS20Q, pour ôter les poignées, enlever les vis avec un tourne-écrou de 6 mm (1/4 po).
3. Pour réinstaller les poignées, exécuter ces opérations dans l'ordre inverse.

Enlèvement des portes :

1. Ôter la grille de la base en tenant l'extrémité en tirant vers l'avant.
2. Desserrer la vis de la bride du tube d'arrivée d'eau sur le côté gauche de la caisse du réfrigérateur, derrière la grille de la base, avec un tourne-écrou de 6 mm (1/4 po).

Alignement des portes

Après la réinstallation des portes, on doit vérifier qu'elles sont convenablement alignées.

1. Faire glisser le réfrigérateur jusqu'à sa position de service finale; vérifier que l'appareil est stable. Si le réfrigérateur n'est pas stable, ôter la grille de la base et faire tourner les vis de réglage de l'aplomb dans le sens horaire avec un tourne-écrou; provoquer un soulèvement de 6 mm (1/4 po), ou visser jusqu'à ce que le réfrigérateur soit fermement en appui sur toutes les roulettes. Si le plancher n'est pas parfaitement plan, il peut être nécessaire de placer des cales sous les roulettes arrière pour établir l'aplomb du réfrigérateur.
2. Lorsque le réfrigérateur est stable, vérifier l'alignement des portes entre elles. Si les portes ne sont pas parfaitement alignées, ôter la grille de la base si elle ne l'est pas déjà, et faire tourner la vis de réglage de la roulette avant dans le sens horaire avec un tourne-écrou de 6 mm (1/4 po), pour abaisser la porte.
3. Ouvrir et refermer les deux portes; contrôler l'alignement au sommet des portes. Répéter l'étape 2 jusqu'à l'obtention d'un alignement convenable des portes.
4. Vérifier de nouveau la stabilité du réfrigérateur; s'il n'est pas stable, répéter l'étape 1.
5. Après avoir vérifié que le réfrigérateur est stable, vérifier que l'espace de séparation entre les portes est uniforme du sommet jusqu'en bas. Si l'espace de séparation est uniforme, réinstaller la grille de la base.
6. Si l'espace de séparation n'est pas uniforme, ôter les garnitures des charnières supérieures avec un tournevis Phillips, et desserrer les vis avec un tourne-écrou de 6 mm (1/4 po).
7. Pousser les deux portes dans la direction de la porte la plus basse, et établir l'alignement des deux portes au sommet, tout en vérifiant que l'espacement entre les deux portes est uniforme depuis le haut jusqu'en bas.
8. Serrer les vis des charnières supérieures; réinstaller les garnitures des charnières supérieures et la grille de la base.

⚠ AVERTISSEMENT



Risque de choc électrique

N'enlever pas le fil vert de terre des branchements du fil.

Le résultat peut être la mort ou le choc électrique si vous le faites.

3. Ôter la garniture de charnière supérieure : enlever les vis avec un tournevis Phillips. Tracer le périmètre des charnières supérieures avec un crayon pour pouvoir respecter l'alignement convenable lors de la réinstallation de la porte.
4. Débrancher les connecteurs de fil de la charnière supérieure.
5. Ôter les vis de la charnière supérieure avec un tourne-écrou de 8 mm (5/16 po). Enlever les charnières.
6. Soulever la porte pour la séparer des charnières inférieures.
7. Pour la réinstallation des portes, exécuter les opérations 1-6 dans l'ordre inverse.

Raccordement de la machine à glaçons à la canalisation d'eau

Lire attentivement toutes les instructions avant de commencer le travail.

⚠ AVERTISSEMENT



Risque de choc électrique

Débrancher le réfrigérateur de la source d'alimentation électrique avant l'installation.

Le non-respect de ces instructions peut-être la cause d'un accident mortel ou d'un choc électrique.

IMPORTANT :

- Utiliser uniquement des tubes en cuivre et vérifier s'ils fuient.
- Installer le tube en cuivre alimentant la machine à glaçons à un endroit où la température se maintient au-dessus du point de congélation de l'eau.

Outillage nécessaire :

- Gantes bien ajusté
- Essuie-mains
- Seau d'eau
- Papier collant
- Marteau
- Poinçonneuse
- Foret, $\frac{3}{8}$ po
- Tournevis
- Deux clés plates de $\frac{1}{2}$ po, ou 2 clés à molette
- Tourne-écrou, $\frac{1}{4}$ po
- Foret, $\frac{1}{4}$ po
- Perceuse manuelle ou perceuse électrique (convenablement reliée à la terre)

REMARQUE : On peut trouver chez le concessionnaire un ensemble comprenant un robinet d'arrêt de $\frac{1}{4}$ po avec bride de prise en charge, un raccord de connexion et un tube en cuivre. Avant d'acheter cet ensemble, vérifier que le robinet d'arrêt avec bride de prise en charge satisfait aux exigences des codes de plomberie locaux. **Ne pas utiliser un robinet d'arrêt à aiguille perforante ou un robinet monté sur une bride de prise en charge de $\frac{3}{16}$ po, qui réduit le débit d'eau et s'obstrue plus facilement.**

Arrivée d'eau froide

La valve d'entrée d'eau de la machine à glaçons comprend une rondelle de contrôle du débit, qui est utilisée comme élément de régulation de la pression d'eau. **La canalisation qui alimente la machine à glaçons en eau froide doit distribuer l'eau sous une pression de 20 à 120 lb/po². Si un problème survient, contacter la compagnie de distribution d'eau.**

IMPORTANT :

- Une période d'attente pouvant atteindre 24 heures est nécessaire avant que l'appareil commence à produire des glaçons.
- Si on doit utiliser le réfrigérateur avant qu'il soit raccordé à la canalisation d'eau, placer la commande de la machine à glaçons à la position d'arrêt (OFF) pour empêcher que la machine à glaçons fonctionne sans produire de glace.
- Tous les aspects de l'installation doivent être conformes aux exigences des codes de plomberie locaux.

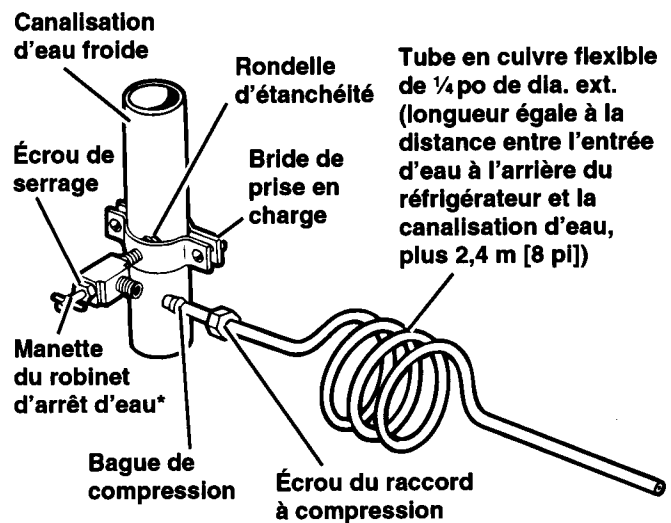
**LE FABRICANT DU RÉFRIGÉRATEUR
OU DE LA MACHINE À GLAÇONS
N'ACCORDE AUCUNE GARANTIE À
L'ÉGARD DE L'INSTALLATION.**

Raccordement à une canalisation d'eau

1. Trouver une canalisation d'eau FROIDE verticale de ½ po à 1¼ po au voisinage du réfrigérateur.

REMARQUE : On peut alimenter le réfrigérateur à partir d'une canalisation horizontale, mais on doit alors observer la précaution suivante : percer par le dessus de la canalisation, et pas par le dessous. Ainsi, l'eau ne risquera pas d'arroser la perceuse. Ceci empêche également les sédiments qu'on trouve normalement dans l'eau de s'accumuler dans le robinet d'arrêt.

2. Mesurer la distance entre le point de connexion à l'arrière du réfrigérateur et la tuyauterie d'arrivée d'eau. Ajouter une longueur de 2,4 m (8 pi) pour permettre le déplacement du réfrigérateur pour les opérations de nettoyage. C'est la longueur du tube en cuivre de ¼ po de dia. ext. qu'on doit utiliser pour le raccordement (distance entre le point de connexion et la tuyauterie d'arrivée PLUS 2,4 m [8 pi]). Veiller à ce que le tube soit coupé d'équerre aux deux extrémités.
3. FERMER le robinet de distribution d'eau principal. OUVRIR le robinet de puisage le plus proche pendant une période suffisante pour que la canalisation d'eau se vide.
4. À l'aide d'une perceuse électrique reliée à la terre, percer un trou de ¼ po dans la canalisation d'eau froide choisie.
5. Fixer le robinet d'arrêt sur la canalisation d'eau froide avec la bride de prise en charge. Vérifier que le raccord du robinet est bien engagé dans le trou de ¼ po percé dans la canalisation, et que la rondelle d'étanchéité est placée sous la bride de prise en charge. Serrer l'écrou de serrage sur la tige du robinet. Serrer soigneusement et uniformément les vis fixant la bride de prise en charge sur la tuyauterie, afin que la rondelle forme une jonction étanche. Ne pas serrer excessivement, car ceci pourrait provoquer l'écrasement du tube en cuivre, particulièrement s'il s'agit d'un tube en cuivre malléable. On est alors prêt à connecter le tube de raccordement en cuivre.
6. Enfiler l'écrou et la bague de compression du raccord sur le tube en cuivre, comme on le voit sur l'illustration. Insérer l'extrémité du tube aussi loin que possible dans l'ouverture de sortie du robinet. Visser l'écrou du raccord à compression sur le raccord de sortie avec une clé à molette. Ne pas serrer excessivement. Ouvrir le robinet d'arrivée d'eau principal, et laisser l'eau s'écouler par le tube de raccordement jusqu'à ce qu'elle soit limpide. Fermer le robinet d'arrivée d'eau principal. Enrouler le tube de raccordement en spirale.



VERS RÉFRIGÉRATEUR →

* Régler l'alimentation d'eau

Raccordement au réfrigérateur

1. Tandis que le réfrigérateur est éloigné du mur, ôter les vis et enlever le couvercle inférieure.
2. Ôter l'écrou et la virole du raccord d'adaptation; faire glisser la virole et l'écrou de laiton sur l'extrémité du tube de cuivre. Insérer complètement le tube de cuivre dans le raccord d'adaptation à la main autant que c'est possible, puis effectuer un serrage final de 1/2 tour avec une clé à molette. Tirer doucement sur le tube de cuivre pour vérifier qu'il est bien immobilisé.
3. **OUVRIER le robinet d'arrêt. Inspecter pour rechercher des fuites. Resserrer tout raccord ou écrou comportant une fuite (y compris les connexions du robinet).**
4. Réinstaller le couvercle inférieur sur le réfrigérateur et réinstaller les vis. Veiller à placer tous les fils à l'intérieur. Vérifier que le couvercle ne coince aucun fil.
5. Former une boucle avec le tube de cuivre pour qu'il n'y ait pas de brusques déformations ou écrasements; **immobiliser cette boucle sur la caisse du réfrigérateur avec la bride "P."**
6. Brancher le réfrigérateur. Faire allumer le réfrigérateur et rechercher les fuites pendant le fonctionnement du réfrigérateur. Veiller à ce que le tube d'arrivée d'eau dans la section du congélateur est fermement immobilisée en place.
7. Remettre le réfrigérateur à sa position près du mur.

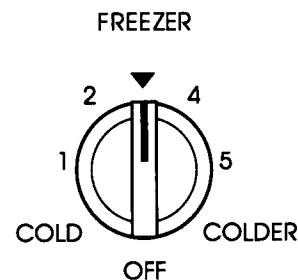
Utilisation du réfrigérateur

Pour pouvoir obtenir la meilleure performance du réfrigérateur, il convient de l'utiliser convenablement. Cette section décrit les opérations de réglage, les modes d'économie d'énergie, et l'utilisation des diverses caractéristiques et fonctions du réfrigérateur.

Réglage des commandes

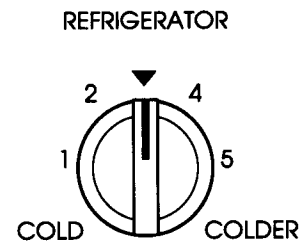
Les commandes du réfrigérateur et du congélateur se trouvent à l'intérieur du réfrigérateur. Le commande du congélateur règle le température du congélateur, et le commande du réfrigérateur règle le température du réfrigérateur. Si le commande du congélateur est à la position d'arrêt (off), les deux compartiments ne se refroidissent pas. Au moment du branchement initial de l'appareil :

1. Régler la commande du congélateur à ▼ (réglage recommandé). Les réglages du congélateur vont de 1 (le plus chaud) à 5 (le plus froid).



2. Régler la commande du réfrigérateur à ▼ (réglage recommandé). Les réglages du réfrigérateur vont de 1 (le plus chaud) à 5 (le plus froid).

Avant d'y placer des aliments, laisser le réfrigérateur refroidir complètement. Ceci peut prendre plusieurs heures. Ces réglages devraient convenir pour l'utilisation domestique normale de l'appareil. Les commandes sont réglées à la température appropriée lorsque le lait ou le jus est froid au goût et que la crème glacée est ferme.



Changement du réglage des commandes

S'il est nécessaire de modifier la température du réfrigérateur ou du congélateur, utiliser les réglages énumérés dans le tableau ci-dessous.

- Attendre au moins 24 heures entre chaque réglage.

CONDITION :	CAUSE :	RÉGLAGE RECOMMANDÉ DES COMMANDES :	
		Réfrigérateur	Congélateur
Compartiment réfrigérateur trop chaud	<ul style="list-style-type: none"> • Ouverture fréquente de la porte • Ajout d'une grande quantité d'aliments • Température ambiante trop chaude 	4	▼
Compartiment congélateur trop chaud	<ul style="list-style-type: none"> • Ouverture fréquente de la porte • Ajout d'une grande quantité d'aliments • Pièce très froide (réduction du nombre de cycles) 	▼	2-▼
Compartiment réfrigérateur trop froid	<ul style="list-style-type: none"> • Réglage incorrect des commandes pour les conditions chez vous 	2	▼

CONDITION :	CAUSE :	RÉGLAGE RECOMMANDÉ DES COMMANDES :	
		Réfrigérateur	Congélateur
Fabrication lente des glaçons	<ul style="list-style-type: none"> • Grande utilisation de glaçons • Pièce très froide (réduction du nombre de cycles) 	▼	4-5
Deux compartiments trop chauds	<ul style="list-style-type: none"> • Ouverture fréquente de la porte • Ajout d'une grande quantité d'aliments • Température ambiante très chaude ou très froide 	4	4

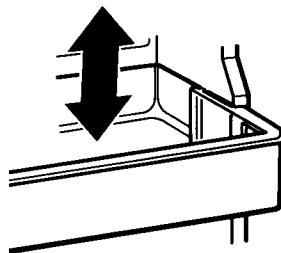
Retrait du balconnet emboîtable

Pour enlever le balconnet :

Enlever tous les articles de l'étagère et tirer le balconnet directement en haut.

Pour remettre le balconnet :

1. Aligner les extrémités du balconnet avec les ergots sur la paroi de la porte.
2. Pousser le balconnet directement en bas jusqu'au moment qu'il s'emboîte solidement.
3. Réinstaller les articles sur l'étagère.



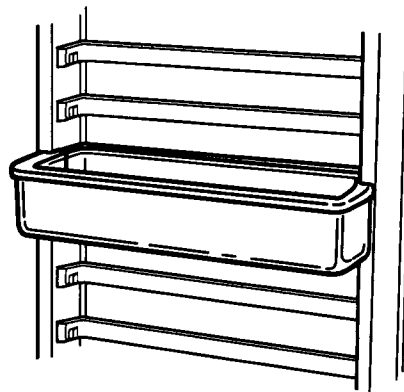
Réglage des balconnets des portes

Pour retirer le balconnet :

1. Enlever tous les articles du balconnet.
2. Pousser contre l'onglet interne du balconnet.
3. Le retirer en tirant en ligne droite.

Pour remettre le balconnet :

1. Aligner les extrémités du balconnet avec les ergots de la paroi de la porte.
2. Pousser le balconnet directement en place jusqu'au moment qu'il s'emboîte solidement.
3. Réinstaller les articles dans le balconnet.



Extraction du distributeur de canettes

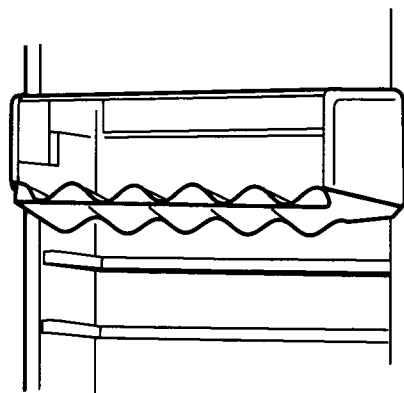
Le distributeur peut recevoir 5 canettes de boisson dans un espace pratique, ce qui lui laisse plus de place sur les étagères pour d'autres articles plus gros.

Pour enlever le distributeur :

1. Soulever le distributeur.
2. Retirer le distributeur en ligne droite.

Pour remettre le distributeur :

1. Tenir le distributeur au-dessus du support à utiliser.
2. Pousser le distributeur vers l'arrière et le laisser descendre jusqu'à la position d'appui.

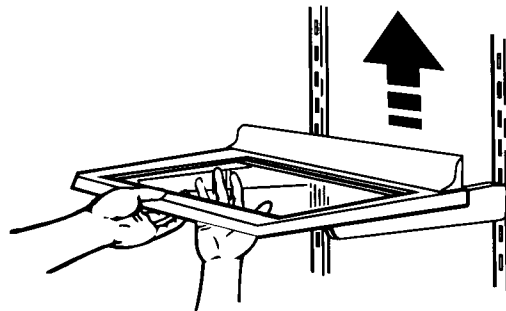


Réglage de la position des étagères du réfrigérateur

Ajuster la position des étagères dans le réfrigérateur en fonction des besoins. Les étagères de verre peuvent supporter les bouteilles, le lait, et les autres articles lourds dans votre réfrigérateur.

Pour enlever les étagères :

1. Enlever tous les articles de l'étagère.
2. Soulever l'étagère à l'avant.
3. Soulever l'étagère à l'arrière.
4. Tirer l'étagère en ligne droite pour l'extraire du réfrigérateur.



Pour remettre l'étagères :

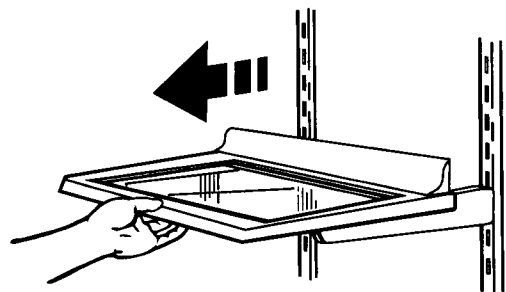
1. Guider les crochets arrière de l'étagère dans les ouvertures d'appui.
2. Incliner le métier vers le haut en avant jusqu'à ce que les crochets s'enfoncent dans les fentes.
3. Abaisser le devant du métier pour le mettre à niveau.

Pour avancer l'étagère :

- Retirer délicatement le devant de l'étagère vers vous.

Pour pousser l'étagère :

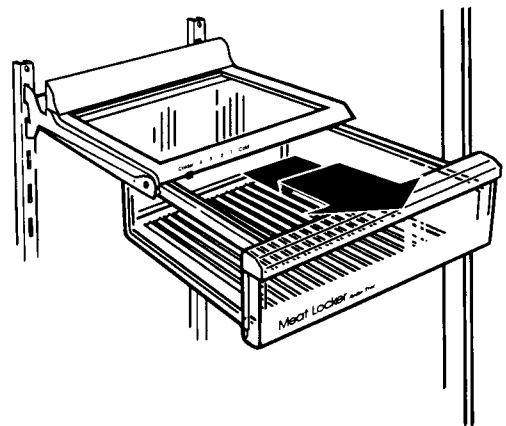
- Pousser l'étagère jusqu'à ce qu'elle s'arrête.



Retrait du casier à viande et du couvercle

Pour retirer le casier à viande :

1. En tirant, glisser le casier à viande jusqu'à la butée.
2. Soulever l'avant du casier à viande.
3. Le glisser complètement à l'extérieur.
4. Pour le remettre, refaire les étapes dans l'ordre inverse. Assurer que le casier est sur l'ouverture d'air dans le paroi latérale.



Pour retirer le couvercle :

1. Incliner l'avant du couvercle.
2. Soulever l'arrière.
3. Tirer tout droit.

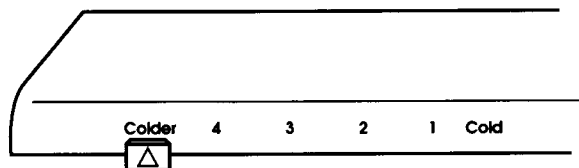
Pour remettre le couvercle :

1. Insérer les crochets arrière dans les fentes des supports du couvercle situés sur la paroi de la caisse.
2. Soulever l'avant du couvercle jusqu'à ce que les crochets s'enfoncent dans les fentes.
3. Abaisser l'avant du couvercle pour le mettre à niveau.

Réglage de la température dans le casier à viande

L'air froid circule dans le casier à viande. Ceci permet de maintenir la température dans le casier à viande plus basse que dans le reste du réfrigérateur, pour une meilleure conservation des viandes.

Faire coulisser le bouton de réglage pour déterminer la quantité d'air froid admise au niveau du casier à viande.



Retrait des bacs à légumes et du couvercle

Pour retirer le bac à légumes :

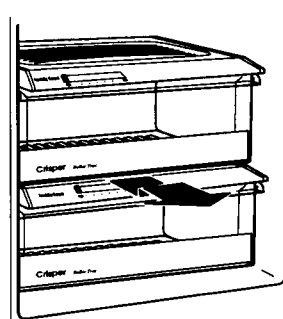
1. En tirant, glisser le bac à l'extérieur jusqu'à la butée.
2. Soulever l'avant et glisser complètement le bac à l'extérieur.
3. Pour le remettre, refaire les étapes dans l'ordre inverse.

Pour retirer le couvercle :

1. Placer les mains sous le panneau du couvercle, le soulever, puis le retirer.
2. Soulever le cadre du couvercle en le tirant.

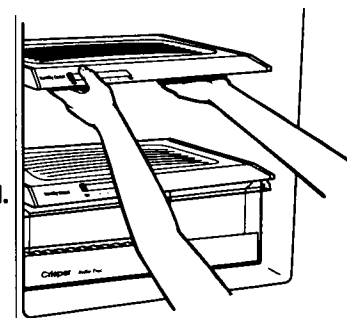
Pour remettre le couvercle :

1. Insérer l'arrière du cadre du couvercle dans les supports à encoches situés sur la paroi arrière du réfrigérateur, puis abaisser en place.
2. Glisser l'arrière du panneau du couvercle en place, puis abaisser l'avant.



Tirer jusqu'à la butée, soulever l'avant et tirer de nouveau.

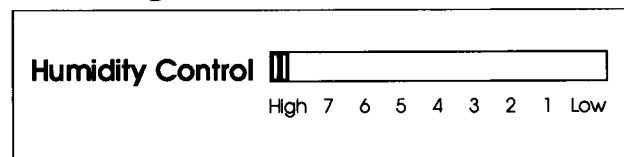
Retirer le panneau du couvercle. Soulever l'avant puis l'arrière du couvercle.
REMARQUE : Manipuler prudemment le panneau en verre. Il peut être lourd.



Réglage de l'hygrostat des bacs à légumes

Ce réglage permet de contrôler le degré d'humidité dans le bac étanche. La commande peut être réglée à n'importe quel réglage entre LOW (FAIBLE) et HIGH (ÉLEVÉ).

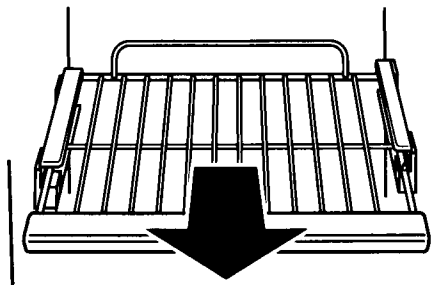
- En position FAIBLE (ouvert), le réglage laisse échapper l'air humide du réfrigérateur pour mieux conserver les fruits et légumes à pelure.
- En position ÉLEVÉ (fermé), le réglage permet de retenir l'humidité à l'intérieur du bac pour mieux conserver les légumes à feuilles frais.



Retrait de la clayette du congélateur

Pour retirer la clayette, soulever l'avant and glisser la clayette jusqu'au bout.

Pour remettre la clayette, mettre la clayette sur les rails and la pousser jusqu'au moment que le bouton est derrière du rail du bout.



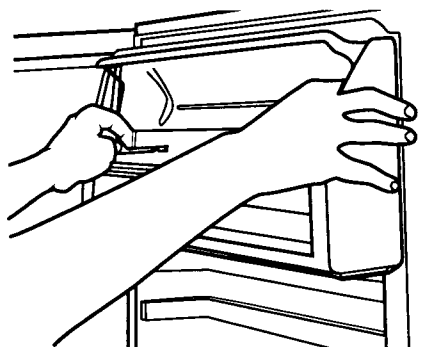
Utilisation du compartiment utilitaire

Vous pouvez enlever la porte sur votre compartiment utilitaire et la clayette pour la nettoyage plus facile et vite.

Pour retirer la porte, ouvrir la porte et la pousser sur les côtés et la tirer en avant.

Pour retirer la clayette, soulever et tirer en avant.

Remettre les deux dans l'ordre inverse.

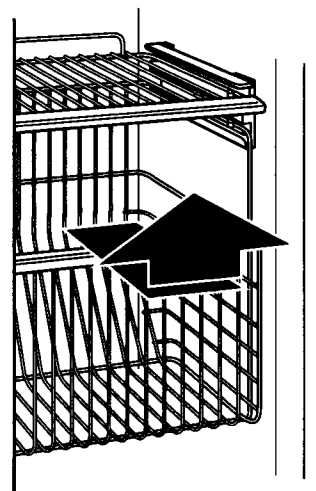


Retrait des paniers du congélateur

Les paniers sont conçus pour être réglés facilement et pour l'accès aux articles dans l'arrière du panier.

Pour retirer le panier, soulever and tirer le panier jusqu'au bout.

Pour remettre le panier, mettre le panier sur les rails and le pousser jusqu'au moment que le bouton est derrière le rail d'arrêt.



Utilisation de la machine à glaçons automatique

Voici quelques points qu'il est bon de connaître :

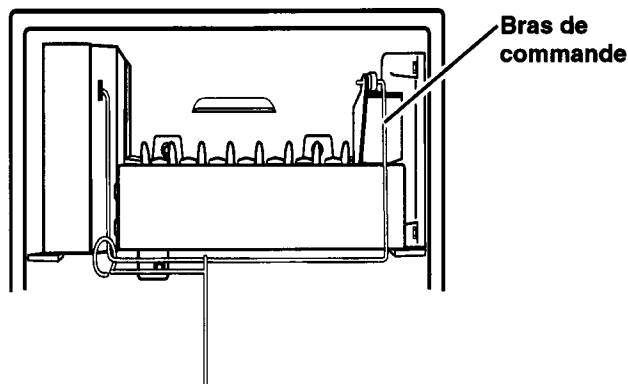
- Le levier MARCHE/ARRÊT est un bras de commande électrique.

ABAISSÉ la machine marche automatiquement.

SOULEVÉ la machine est hors circuit.

IMPORTANT : Ne pas mettre la machine à glaçons en marche tant qu'elle n'est pas raccordée à la canalisation d'eau.

- C'est normal pour les glaçons en demi-lune collés d'être joint par un coin. Ils se séparent facilement.
- La machine à glaçons ne fonctionne pas tant que le congélateur n'est pas assez froid pour faire de la glace. Le refroidissement peut prendre une nuit.
- Si les glaçons ne se forment pas assez rapidement pour combler vos besoins, tourner la commande du réfrigérateur à un chiffre plus élevé. Attendre une journée et, si nécessaire, tourner la commande du congélateur en direction du 7.
- Pour obtenir des glaçons de qualité, il faut de la bonne eau. Il n'est pas recommandé de raccorder la machine à glaçons à une source d'eau adoucie. Les produits chimiques, comme le sel provenant d'un adoucisseur d'eau en mauvais état de marche, risquent d'endommager le moule de la machine à glaçons et de produire des glaçons de piètre qualité. Si la machine doit être raccordée à une source d'eau adoucie, il est important que l'adoucisseur soit entretenu avec soin et maintenu en bon état de marche.



Solutions aux problèmes de fonctionnement de la machine à glaçons

PROBLÈME	CAUSE/SOLUTION POSSIBLE
Les glaçons en demi-lune sont collés	<ul style="list-style-type: none"> • C'est normal. Ils se séparent facilement. Agiter le bac occasionnellement pour séparer les glaçons.
Fabrication lente des glaçons	<ul style="list-style-type: none"> • Le levier MARCHE/ARRÊT est à la position ARRÊT (soulevé). Abaisser le levier à la position MARCHE (abaissé). • Le congélateur n'est pas assez froid. Régler d'abord les commandes et attendre au moins 24 heures. (Voir "Réglage des commandes" à la page 11.)
Arrière-goût ou mauvaise odeur de la glace	<ul style="list-style-type: none"> • On peut observer une coloration de la glace ou noter la présence d'un mauvais goût, après l'exécution de nouveaux raccordements de plomberie. Jeter la glace et en faire d'autre. • Les glaçons sont trop vieux. Les jeter et en faire d'autres. • Emballage incorrect des aliments dans le congélateur. Voir page 27. • Nettoyage nécessaire du bac à glaçons et du congélateur. Voir page 23. • L'eau peut contenir des minéraux (comme le soufre). Un filtre peut être requis pour les enlever.

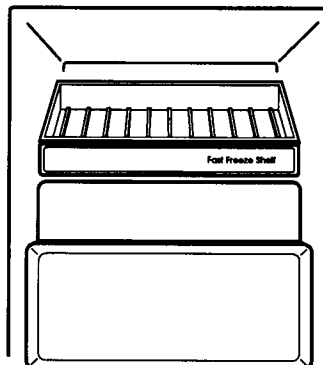
Retrait du bac de la machine à glaçons

Retirer, vider et nettoyer le bac :

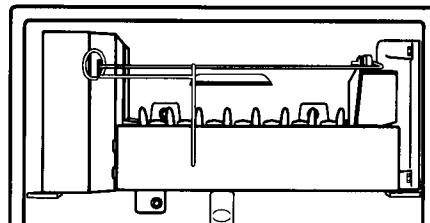
- Si le distributeur de glaçons n'a pas été ou ne sera pas utilisé durant une semaine ou plus
- Si les glaçons fondent puis gèlent en bloc par suite d'une panne de courant
- Si le distributeur n'est pas utilisé régulièrement

Pour retirer le bac :

1. Tirer le panneau protecteur par le bas et le glisser vers l'arrière.



2. Soulever le bras de commande de façon jusqu'à ce qu'il s'enclenche en position ARRÊT (en haut). Il est encore possible d'obtenir des glaçons, mais la machine a cessé d'en faire.
3. Soulever l'avant du bac. Le retirer.
4. Vider le bac. Si nécessaire, utiliser de l'eau bouillante ou chaude pour faire fondre la glace. **Ne jamais employer d'objet pointu** pour casser la glace, car ceci pourrait endommager le bac ou le mécanisme de distribution.
5. Laver à l'aide d'un détergent doux. Rincer à fond. Ne pas utiliser de nettoyeurs ou solvants durs ou abrasifs.
6. Au moment de réinstaller le bac, s'assurer de le pousser jusqu'au fond. Abaisser le bras de commande en position MARCHÉ pour remettre la machine en marche.



Utilisation du système de distribution d'eau froide et de glaçons

Distributeur de glaçons

Les glaçons sont distribués à partir du compartiment de la machine à glaçons situé dans le congélateur. La pression exercée sur la barre du distributeur actionne l'ouverture de la trappe installée dans une chute entre le distributeur et le bac à glaçons. Les glaçons du compartiment tombent dans la chute. Dès que la pression sur la barre est relâchée, une tonalité retentit durant quelques secondes pendant lesquelles la trappe se ferme. Le système de distribution ne fonctionne pas quand la porte du congélateur est ouverte.

Dans le cas de la glace pilée, les glaçons sont broyés avant d'être distribués, ce qui peut entraîner un léger délai. Le bruit émanant de la machine à glaçons est normal, et la taille des morceaux de glace peut varier.

Quand le commutateur est déplacé de la position CRUSHED (PILÉE) à la position CUBED (GLAÇONS), quelques onces de glace pilée seront distribuées avec les premiers glaçons.

Distribution de glace :

1. Pour obtenir des glaçons, placer le commutateur en position CUBED (GLAÇONS).



CRUSHED • CUBED

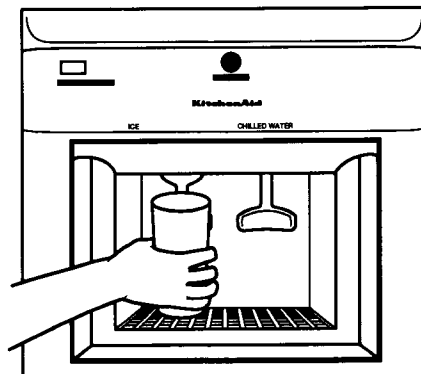
Pour obtenir de la glace pilée, (sur certains modèles), placer le commutateur en position CRUSHED (PILÉE).



CRUSHED • CUBED

2. Appuyer un verre résistant contre la barre du distributeur.
3. Retirer le verre pour mettre fin à la distribution.

REMARQUE : Il est possible que les premiers glaçons aient un arrière-goût en raison des pièces et tuyaux neufs. Les jeter. Aussi, les grandes quantités de glaçons devraient être puisées dans le bac à glaçons et non extraites du distributeur.



⚠ AVERTISSEMENT



Risque de blessures

Utiliser un verre résistant pour le distribution des glaçons ou d'eau.

Le non-respect de cette instruction peut être la cause des blessures.

Distributeur d'eau

L'eau froide provient d'un réservoir, situé à l'arrière du bac à viande, d'une teneur d'environ 1,5 L (1,5 pinte).

Au moment du raccordement initial du réfrigérateur, appuyer sur la barre du distributeur à l'aide d'un verre ou d'un bocal jusqu'à l'obtention de 2,9 à 3,8 L (3 ou 4 pintes) d'eau et jeter cette dernière. Ceci a pour effet de rincer le réservoir et les tuyaux.

Une fois que le réservoir est à nouveau rempli, laisser refroidir l'eau plusieurs heures.

REMARQUE : Le petit plateau se trouvant sous le distributeur est destiné à contenir les **petites** quantités renversées. Il n'est pas muni d'une rigole d'écoulement. **Ne pas** y verser d'eau.

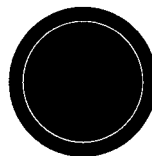
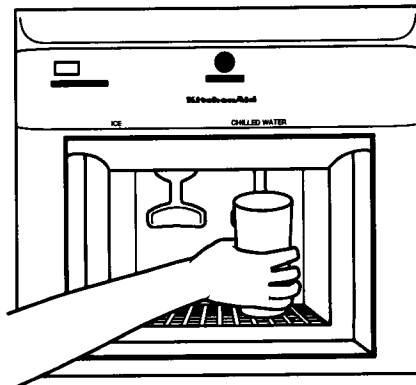
Distribution d'eau :

1. Appuyer un verre **résistant** contre la barre du distributeur d'eau.
2. Retirer le verre pour mettre fin à la distribution d'eau.

REMARQUE : Utiliser suffisamment d'eau chaque semaine pour la garder fraîche.

Éclairage du distributeur

Une lampe s'allume lors du prélèvement de glace ou d'eau et une lampe de veille s'allume automatiquement lorsque la pièce est obscure.



NIGHT LITE

Solution aux problèmes communs du distributeur

PROBLÈME	CAUSE/SOLUTION POSSIBLE
Le distributeur de glaçons ne fonctionne pas	<ul style="list-style-type: none">• Porte du congélateur ouverte.• Le bac à glaçons n'est pas bien installé. S'assurer que le bac est poussé jusqu'au fond.• Glaçon incorrect dans le bac. Utiliser seulement des croissants de la machine à glaçons. Secouer le bac de temps à autre pour séparer les cubes et augmenter l'espace d'entreposage.• Le distributeur n'est pas utilisé pour des périodes prolongées, de telle sorte que les glaçons collent ensemble en fondant. Jeter les vieux glaçons et en préparer d'autres.
Le distributeur à glaçons s'arrête	<ul style="list-style-type: none">• La barre du distributeur à glaçons est tenue trop longtemps. Attendre environ trois minutes pour que le moteur du distributeur reprenne son action.• De grandes quantités de glaçons doivent être retirées du bac, et non extraites du distributeur.

suite à la page suivante

PROBLÈME	CAUSE/SOLUTION POSSIBLE
Arrière-goût ou mauvaise odeur de la glace	<ul style="list-style-type: none"> • On peut observer une coloration de la glace ou noter la présence d'un mauvais goût, après l'exécution de nouveaux raccordements de plomberie. Jeter la glace et en faire d'autre. • Les glaçons sont trop vieux. Les jeter et en faire d'autres. • Emballage incorrect des aliments dans le congélateur. Voir page 27. • Nettoyage nécessaire du bac à glaçons et du congélateur. Voir page 23. • L'eau peut contenir des minéraux (comme le soufre). Un filtre peut être requis pour les enlever.

Retrait de la grille de la base

Pour la retirer :

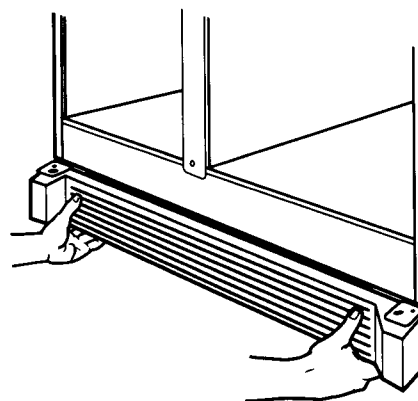
1. Ouvrir les portes des deux côtés.
2. Tirer la grille vers l'avant pour dégager les pattes de support des pinces métalliques.

REMARQUE : Ne pas enlever le feuille de spécifications techniques fixée derrière la grille.

Pour la replacer :

1. Aligner les pattes de support de la grille avec les pinces métalliques.
2. Appuyer fermement pour enclencher en place.
3. Fermer les portes.

Voir les instructions de nettoyage du plateau d'écoulement et des serpentins du condenseur à la page 24.



Remplacement des ampoules électriques

⚠ AVERTISSEMENT



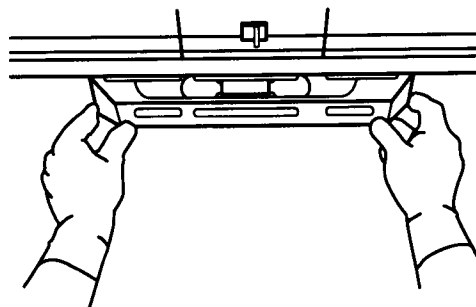
Risque de choc électrique

Débrancher l'alimentation principale avant de retirer une ampoule.

Le non-respect de cette instruction peut être la cause d'un accident mortel ou de choc électrique.

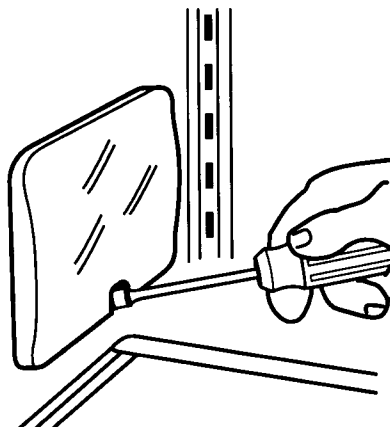
Pour changer l'ampoule du réfrigérateur supérieur :

1. Débrancher le réfrigérateur de la prise.
2. Pousser sur l'arrière du couvercle and glisser vers l'arrière du réfrigérateur pour le retirer.
3. Remplacer l'ampoule avec une ampoule de 40 watts pour appareil électroménager.
4. Remplacer le couvercle avec l'inverse d'étape 2.
5. Brancher le réfrigérateur à la prise.



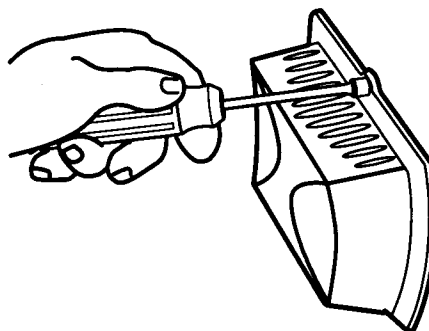
Pour changer l'ampoule du réfrigérateur inférieur :

1. Débrancher le réfrigérateur de la prise.
2. Retirer le couvercle de l'ampoule avec un clé.
3. Remplacer l'ampoule avec une ampoule de 40 watts pour appareil électroménager.
4. Remplacer le couvercle avec un clé.
5. Brancher le réfrigérateur à la prise.



Pour changer l'ampoule du congélateur :

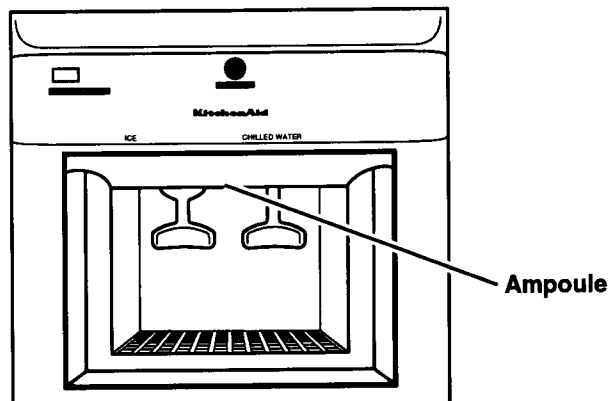
1. Débrancher le réfrigérateur de la prise.
2. Soulever and tirer sur le bac à glaçons pour le retirer.
3. Retirer le couvercle de l'ampoule avec un clé.
4. Remplacer l'ampoule avec une ampoule de 40 watts pour appareil électroménager.
5. Remplacer le couvercle avec un clé.
6. Brancher le réfrigérateur à la prise.



Pour changer l'ampoule du distributeur :

1. Débrancher le réfrigérateur de la prise.
2. Atteindre l'ampoule par l'avant du distributeur.
3. Remplacer l'ampoule par une ampoule de 10 watts à haut rendement.
4. Rebrancher l'appareil.

IMPORTANT : Votre réfrigérateur ne pourra pas accommoder toutes les ampoules commerciales pour appareils électro-ménagers. Assurez-vous de faire le remplacement par une ampoule de grosseur et de forme similaires.



Les bruits de l'appareil

Il est possible que le réfrigérateur émette des bruits que le précédent ne produisait pas. Comme ces bruits sont nouveaux, ils peuvent vous inquiéter. Ne vous faites pas de souci. La plupart des bruits nouveaux sont normaux. Les surfaces dures, comme le plancher, les murs, les armoires, peuvent faire paraître les bruits plus forts.

Les paragraphes suivants décrivent les bruits qui sont susceptibles de vous sembler nouveaux et leur origine.

Bourdonnement léger, sifflement doux

Ils peuvent être dus au moteur du ventilateur du réfrigérateur et à la circulation de l'air.

Bruits secs ou claquements

Le thermostat émet un bruit sec distinctif lorsque le moteur du réfrigérateur s'arrête. Il en émet aussi un lorsqu'il se remet en marche. La minuterie du dégivreur produit un bruit sec au début et à la fin du cycle de dégivrage.

Gargouillement

Lorsque le réfrigérateur cesse de fonctionner, un gargouillement peut se produire dans la tuyauterie durant les quelques minutes suivantes. Il est aussi possible que l'eau du dégivrage émette un bruit en tombant dans le plateau de dégivrage.

Bruits de la machine à glaçons

- Écoulement de l'eau
- Bruit sourd (entrechoquement des glaçons)

Comme le réfrigérateur est muni d'une machine à glaçons, vous entendrez peut-être des bourdonnements (du robinet d'eau), des glouglous et le bruit des glaçons qui s'entrechoquent.

Bruits mécaniques

Le réfrigérateur est équipé d'un moteur et d'un compresseur à haute efficacité. Il fonctionne plus longtemps que les anciens modèles. Il peut même sembler fonctionner sans arrêt.

Conseils pour économiser l'énergie

Vous êtes en mesure de réduire la consommation d'énergie du réfrigérateur en prenant quelques précautions.

- Vérifier si les joints des portes sont étanches. Installer la caisse de niveau pour assurer l'étanchéité.
- Nettoyer régulièrement les serpentins du condenseur.
- Ouvrir la porte le moins souvent possible. Décider des articles requis avant d'ouvrir la porte. Retirer tout le nécessaire en une seule fois. Organiser adéquatement le contenu afin d'éviter de chercher. Fermer la porte dès que les aliments ont été retirés.
- Remplir le réfrigérateur au besoin, mais éviter de le surcharger et d'empêcher ainsi la circulation de l'air.
- Le réglage du réfrigérateur et du congélateur à des températures plus élevées que nécessaires consomme inutilement de l'électricité. Si la crème glacée est ferme dans le congélateur et que les boissons sont aussi froides que voulues, la température est correcte.
- S'assurer que le réfrigérateur n'est pas installé à proximité d'une source de chaleur, telle que cuisinière, chauffe-eau, fournaise, appareil de chauffage, ou directement exposé au soleil.

Entretien du réfrigérateur

Ce réfrigérateur a été conçu et construit pour offrir de nombreuses années de service fiable. L'utilisateur peut cependant faire certaines choses pour en augmenter la longévité. Cette section décrit comment nettoyer le réfrigérateur, et ce qu'il faut faire avant une période de vacances, avant un déménagement, ou à l'occasion d'une interruption de l'alimentation électrique.

Nettoyage du réfrigérateur

Les compartiments réfrigérateur et congélateur se dégivrent automatiquement. Tous deux doivent cependant être nettoyés environ une fois par mois, afin de prévenir l'accumulation d'odeurs. Essuyer immédiatement les produits renversés.



Pour nettoyer le réfrigérateur, débrancher l'appareil, retirer toutes les pièces amovibles et les nettoyer conformément aux instructions suivantes.

⚠ AVERTISSEMENT



Risque de brûlures

Ne toucher pas les tubes du système de réfrigération près du plateau du dégivrage. Si vous le faites, le résultat peut être la cause de brûlures.

PIÈCE	MATÉRIEL	MÉTHODE DE NETTOYAGE
Pièces amovibles (clayettes, bac à légumes, etc.)	Éponge ou chiffon avec détergent doux et eau tiède	<ul style="list-style-type: none"> • Laver à la main, rincer et sécher à fond.
Extérieur	Éponge, chiffon ou essuie-tout en papier avec détergent doux, eau tiède et cire pour appareil électroménager (ou cire en pâte de qualité pour automobile)	<ul style="list-style-type: none"> • Laver l'extérieur du réfrigérateur. Ne pas utiliser de nettoyants durs ou abrasifs. • Essuyer et sécher à fond. • Cirer les surfaces métalliques peintes au moins deux fois par an. Appliquer la cire avec un chiffon doux et propre. Le cirage des surfaces métalliques peintes les protège contre la rouille. Ne pas utiliser de cire sur les pièces en plastique.
Parois intérieures (le congélateur doit être assez tiède pour que le chiffon n'adhère pas)	Éponge, chiffon doux ou essuie-tout en papier avec bicarbonate de soude ou détergent doux et eau tiède	<ul style="list-style-type: none"> • Laver avec de l'eau tiède et <ul style="list-style-type: none"> – du détergent doux ou – du bicarbonate de soude (26 g [2 cuillères à soupe] ajoutés à 0,95 L [1 pinte] d'eau) • Essuyer et sécher à fond.
Garnitures et joints des portes	Éponge, chiffon doux ou essuie-tout en papier avec détergent doux et eau tiède	<ul style="list-style-type: none"> • Laver, essuyer et sécher à fond. NE PAS UTILISER de cires nettoyantes, de détergents concentrés, d'eau de Javel ni de nettoyants contenant du pétrole, sur des pièces en plastique.
Pièces en plastique (couvercles et panneaux)	Éponge douce et propre ou chiffon doux et propre avec détergent doux et eau tiède	<ul style="list-style-type: none"> • Laver, essuyer et sécher à fond. NE PAS UTILISER d'essuie-tout en papier, de nettoyants pour vitres, de produits à récurer ni de solvants inflammables, car ils risquent d'égratigner ou d'endommager le matériel. Voir "Importantes instructions de sécurité" à la page 3.

suite à la page suivante

PIÈCE	MATÉRIEL	MÉTHODE DE NETTOYAGE
Plateau de dégivrage	Éponge ou chiffon avec détergent doux et eau tiède	<ul style="list-style-type: none"> • Retirer la grille de la base. (Voir page 20.) • Soulever le plateau de récupération au-dessus des supports. Ôter le ruban adhésif s'il y en a. • Laver, rincer et sécher à fond. • Réinstaller le plateau de dégivrage. Vérifier que le tube d'acheminement de l'eau de dégivrage aboutit dans le plateau de récupération. • Réinstaller la grille de la base.
Serpentins du condenseur	Accessoire étroit et long de l'aspirateur	<ul style="list-style-type: none"> • Retirer la grille de la base. • Nettoyer les serpentins lorsqu'ils sont sales ou poussiéreux. Il se peut que les serpentins aient besoin d'être nettoyés tous les deux mois. • Réinstaller la grille de la base.

Préparatifs avant le départ en vacances ou un déménagement

Longues vacances

Si les vacances durent un mois ou plus :

1. Retirer tous les aliments du réfrigérateur.
2. Si votre réfrigérateur est équipé d'une machine à glaçons :
 - Fermer l'approvisionnement d'eau de la machine à glaçons au moins une journée à l'avance.
 - Lorsque tous les glaçons sont épuisés, mettre hors circuit la machine à glaçons.
3. Débrancher le réfrigérateur.
4. Le nettoyer l'essuyer à fond, et sécher.
5. À l'aide de ruban adhésif, fixer des blocs de caoutchouc ou de bois à la partie supérieure de chaque porte de façon à ce qu'elles soient suffisamment ouvertes pour permettre la circulation de l'air à l'intérieur, afin d'éviter l'accumulation d'odeurs ou de moisissure.

Pour remettre le réfrigérateur en marche, consulter la page 6.

Courtes vacances

Il n'est pas nécessaire de débrancher le réfrigérateur pour une absence de moins de quatre semaines.

1. Consommer les aliments périssables.
2. Faire congeler les autres.
3. Si votre réfrigérateur est équipé d'une machine à glaçons :
 - Soulever le bras de commande et mettre hors circuit la machine à glaçons.
 - Fermer l'approvisionnement d'eau de la machine à glaçons.

Déménagement

1. Si votre réfrigérateur est équipé d'une machine à glaçons :
 - Fermer l'approvisionnement d'eau de la machine à glaçons au moins une journée à l'avance.
 - Débrancher la canalisation d'eau.
 - Une fois la glace épuisée, soulever le bras de commande et mettre hors circuit la machine à glaçons.
2. Retirer tous les aliments.
3. Emballer les aliments congelés dans de la neige carbonique.
4. Débrancher le réfrigérateur.
5. Le nettoyer à fond. Bien essuyer et sécher à fond.
6. Retirer toutes les pièces amovibles, bien les envelopper et les attacher ensemble à l'aide de ruban adhésif pour qu'elles ne bougent ni ne s'entrechoquent.
7. Visser les roulettes de nivellement.
8. Fermer les portes à l'aide de ruban adhésif et fixer le cordon d'alimentation à la caisse.

Lorsque vous arriverez dans votre nouveau domicile, remettre tout en place et se référer à la page 5. Aussi, rebrancher l'approvisionnement d'eau à la machine à glaçons si votre réfrigérateur est équipé d'une machine à glaçons.

Pannes de courant

En cas de panne de courant, téléphoner à la régie d'électricité pour s'enquérir de la durée de la panne.

1. Si le service doit être interrompu durant 24 heures ou moins, **garder fermées les deux portes**. Ceci permettra d'éviter que les aliments dégèlent.
2. Si le service doit être interrompu durant plus de 24 heures :
 - (a) Retirer tous les aliments congelés et les déposer dans un entrepôt frigorifique.

OU

- (b) Placer 907 g de neige carbonique par litre (2 lb par pied cube) d'espace de congélation. Cela permettra de garder les aliments congelés durant 2 à 4 jours. Porter des gants pour se protéger les mains contre les morsures de la neige.

OU

- (c) S'il n'y a pas d'entrepôt frigorifique ni de neige carbonique, consommer ou mettre immédiatement en conserve les aliments périssables.
3. Un congélateur plein restera froid plus longtemps qu'un congélateur à moitié rempli. Un congélateur plein de viande restera froid plus longtemps qu'un congélateur rempli de pains et pâtisseries. Si les aliments contiennent des cristaux de glace, ils peuvent être remis à congeler sans danger même si leur qualité et saveur risquent d'être inférieures. Si les aliments semblent de piètre qualité ou douteux, les jeter.

Conservation des aliments

Il existe une façon correcte d'emballer et de conserver des aliments au réfrigérateur et au congélateur. Si vous voulez que vos aliments restent plus frais plus longtemps, prenez le temps d'étudier les suggestions suivantes.

Conservation des aliments frais

Les aliments placés au réfrigérateur doivent être enveloppés ou gardés dans un emballage hermétique et à l'épreuve de l'humidité. Cela empêche l'odeur et le goût des aliments de se répandre dans tout le réfrigérateur. Pour des produits datés, vérifier les dates indiquées pour s'assurer de la fraîcheur des aliments.

Légumes à feuilles

Retirer l'emballage original et éliminer les taches ou zones décolorées. Laver à l'eau froide et égoutter. Placer dans un sac ou un contenant en plastique et ranger dans le bac à légumes.

Légumes à pelure

(carottes, poivrons)

Ranger dans le bac à légumes, un sac ou un contenant en plastique.

Fruits

Laver, laisser sécher et mettre au réfrigérateur dans un sac en plastique ou le bac à légumes. Ne pas laver ni équeuter les petits fruits avant le moment de leur utilisation. Les trier et les conserver dans l'emballage du magasin, dans le bac à légumes, ou les conserver sur une clayette du réfrigérateur dans un sac en papier fermé sans être serré.

Oeufs

Ranger sans laver dans le carton original, sur la clayette intérieure. Sur certains modèles, un contenant pour les oeufs est aussi fourni.

Lait

Essuyer le contenant. Pour qu'il se conserve mieux, placer le lait sur la clayette intérieure.

Beurre ou margarine

Garder le beurre entamé dans un beurrier muni d'un couvercle ou dans le compartiment universel. Envelopper les quantités supplémentaires dans un emballage pour congélateur et les faire congeler.

Fromage

Le conserver dans son emballage original jusqu'à l'emploi. Une fois le paquet ouvert, réemballer hermétiquement le fromage dans une pellicule plastique ou du papier d'aluminium.

Restes

Couvrir les restes avec de la pellicule plastique ou du papier d'aluminium. Il est aussi convenable d'utiliser des contenants en plastique à couvercle hermétique.

Viande

La plupart des viandes peuvent être conservées dans leur emballage original tant que cet emballage est hermétique et à l'épreuve de l'humidité. Emballer de nouveau si nécessaire. Voir le tableau suivant pour les périodes de conservation. Si la viande doit être conservée durant une période plus longue, suivre les instructions relatives à la congélation.

Poulet	1 à 2 jours	Bacon	5 à 7 jours
Boeuf haché	1 à 2 jours	Charcuteries	3 à 5 jours
Biftecks/ rôtis	3 à 5 jours	Abats	1 à 2 jours
Viandes salées	7 à 10 jours		

REMARQUE : Les poissons et fruits de mer frais devraient être consommés le jour même de l'achat.

Conservation des aliments congelés

Le compartiment congélateur est conçu pour conserver les aliments surgelés en usine ou pour faire congeler de la nourriture.

REMARQUE : Pour d'autres renseignements au sujet de la préparation des aliments pour la congélation, consulter un guide de congélation ou un livre de cuisine.

Emballage

Le secret de la congélation efficace réside dans l'emballage. Il doit être fermé et scellé de façon à prévenir la pénétration et l'évacuation d'air ou d'humidité. Toute autre méthode d'emballage risque d'entraîner la propagation de saveurs et d'odeurs dans tout le réfrigérateur et l'assèchement des aliments congelés.

Emballage recommandé :

- Conteneurs en polyéthylène (plastique) rigide munis de couvercles hermétiques
- Bocaux de conserve/congélation à bord droit
- Papier d'aluminium résistant
- Papier recouvert de plastique
- Emballages en plastique étanches (faits à partir d'une pellicule saran)

Suivre les instructions de l'emballage ou du contenant pour les méthodes de congélation correctes.

Ne pas utiliser :

- Emballages pour pain
- Conteneurs en plastique autres qu'en polyéthylène
- Conteneurs non munis d'un couvercle hermétique
- Papier paraffiné
- Emballages pour congélateur enduits de cire
- Emballages minces semi-perméables

Leur emploi risque de donner lieu à des transferts d'odeurs et de saveurs et à l'assèchement des aliments congelés.

Congélation

Le congélateur ne congèle pas rapidement de grandes quantités d'aliments. Veiller à ce que la quantité d'aliments ne prenne pas plus de 24 heures à congeler (au plus 900 à 1,350 g d'aliments par litre [2 à 3 livres par pied cube] d'espace. Laisser suffisamment d'espace pour permettre la circulation d'air entre les aliments. S'assurer aussi de laisser assez d'espace à l'avant pour que la porte ferme hermétiquement.

La période de conservation varie selon la qualité des aliments, le type d'emballage ou de pellicule utilisé (hermétique) et la température de conservation, qui devrait être de -17,8°C (0°F).

Dépannage

Les problèmes de performance sont souvent dus à des petits détails que vous êtes en mesure de détecter et de régler vous-même sans outils d'aucune sorte. Avant de contacter le service de dépannage, veuillez lire ci-dessous la section "Avant de faire un appel de service ..."

Avant de faire un appel de service ...

Le tableau ci-dessous présente une liste des problèmes auxquels les utilisateurs des appareils ménagers sont le plus souvent confrontés. Les solutions suggérées vous permettront peut-être de résoudre votre problème actuel.

PROBLÈME	VÉRIFIER LES POINTS SUIVANTS
Le réfrigérateur ne fonctionne pas	Le cordon d'alimentation est-il branché dans un circuit sous tension de voltage approprié? Un fusible a-t-il sauté ou le disjoncteur s'est-il déclenché? La commande du réfrigérateur est-elle à la position ARRÊT (OFF)?
Les ampoules n'éclairent pas	Le cordon d'alimentation est-il branché dans un circuit sous tension de voltage approprié? Un fusible a-t-il sauté ou le disjoncteur s'est-il déclenché? Une ampoule est-elle grillée?
La machine à glaçons ne fonctionne pas	Le congélateur est-il suffisamment froid? Permettre au congélateur d'atteindre la température correcte. Ceci peut prendre une nuit. Le levier de la machine à glaçons est-il en position MARCHE (ON) (en bas)? (Voir page 17.) La valve d'arrivée d'eau est-elle ouverte? La canalisation d'eau est-elle bouchée ou fuit-elle?
Le réfrigérateur fait des bruits inhabituels	Y a-t-il quelque chose sur ou derrière le réfrigérateur? Certains nouveaux bruits sont normaux. Consulter la section "Les bruits de l'appareil" à la page 22.
Le plateau de dégivrage contient de l'eau	Ceci est normal par temps chaud et humide. S'assurer que le plateau est de niveau de façon à ce qu'il ne déborde pas.
Le moteur semble fonctionner trop souvent	Les serpentins du condenseur sont-ils sales? La porte est-elle ouverte fréquemment? Une grande quantité d'aliments a-t-elle été ajoutée d'un coup? Le moteur fonctionne évidemment plus longtemps dans ces cas. La pièce est-elle chaude? Si la pièce est trop chaude, le moteur tourne plus longtemps pour conserver l'appareil froid.
Les distributeurs ne fonctionnent pas	Voir la section "Solution aux problèmes communs du distributeur" à la page 19.

Appel d'aide ou de service

Avant de contacter le service de dépannage, veuillez voir "Dépannage" à la page 28. Cela pourrait vous économiser le coût d'un appel de service.

1. Si la cause du problème n'est pas indiquée dans la rubrique "Dépannage" :

- Appelez votre dépositaire ou le service de réparations qu'il vous recommande.



- Au cas où vous ne pouvez pas obtenir le nom d'un atelier de service de votre région autorisé par KitchenAid, consultez les Pages Jaunes de n'importe quel botin téléphonique de la région métropolitaine sous la rubrique "Lave-vaisselle" pour trouver les ateliers de service autorisés par KitchenAid.

- Tous les appels de service devront être traités par le dépositaire qui vous a vendu le réfrigérateur ou par un atelier de service autorisé par KitchenAid.

2. Si vous devez téléphoner ou écrire :

- Veuillez fournir le numéro de modèle, le numéro de série, la date d'achat et une description complète du problème. Adressez toute la correspondance à :



Service à la clientèle
KitchenAid Canada
1901 Minnesota Court
Mississauga, Ontario
L5N 3A7
Téléphone : (905) 821-6606

Veuillez indiquer dans votre correspondance un numéro de téléphone où on peut vous joindre pendant la journée.

KitchenAid Canada service d'appareils ménagers – Service aux consommateurs

Succursales de service direct :

COLOMBIE-BRITANNIQUE	KitchenAid Canada Service d'appareils ménagers 3627 E. 4th Avenue	(604) 291-6426 1-800-665-6788
	KitchenAid Canada Service d'appareils ménagers 3117 Steele Street	(604) 383-2298 1-800-665-6788
ALBERTA	KitchenAid Canada Service d'appareils ménagers #15, 6025 12th Street S.E.	(403) 253-9267 1-800-661-1022
	KitchenAid Canada Service d'appareils ménagers 16236 116th Avenue	(403) 453-3900 1-800-661-6291
ONTARIO	KitchenAid Canada Service d'appareils ménagers 5945 Ambler Drive	(905) 624-2800 1-800-807-6777
	KitchenAid Canada Service d'appareils ménagers Unit #1, 110 Torbay Road	(905) 475-9511 1-800-807-6777
	KitchenAid Canada Service d'appareils ménagers 28 Capital Drive	(613) 225-0510 1-800-267-3456
MANITOBA SASKATCHEWAN	KitchenAid Canada Service d'appareils ménagers 1683 Church Avenue	(204) 694-5308 1-800-665-1683
QUÉBEC	KitchenAid Canada Service d'appareils ménagers 2750, Francis-Hughes	(514) 382-8110 1-800-361-3032
	KitchenAid Canada Service d'appareils ménagers 9605, rue F. Ignace	(514) 397-1840 1-800-361-0950
	KitchenAid Canada Service d'appareils ménagers 5275, boul. Wilfrid-Hamel, Bureau 140	(418) 871-5251 1-800-463-1523
	KitchenAid Canada Service d'appareils ménagers 3475, boul. Industriel	(819) 564-6565 1-800-567-6966
NOUVELLE-ÉCOSSE	KitchenAid Canada Service d'appareils ménagers 900 Windmill Road	(902) 468-6634 1-800-565-1598

Pour obtenir des services techniques en dehors des centres mentionnés,
contactez votre marchand d'appareils ménagers.

KitchenAid*

Garantie du réfrigérateur amovible

DURÉE DE LA GARANTIE :	KITCHENAID PAIERA :	KITCHENAID NE PAIERA PAS :
GARANTIE TOTALE D'UN AN À COMPTER DE LA DATE D'ACHAT	Pièces de rechange et main-d'oeuvre pour corriger les défauts de matériaux ou de fabrication. Les travaux doivent être effectués par un service de réparations autorisé par KitchenAid.	A. Les demandes de service pour : <ol style="list-style-type: none"> 1. Rectifier l'installation du réfrigérateur. 2. Vous montrer comment vous servir du réfrigérateur. 3. Remplacer des fusibles ou rectifier le câblage électrique du domicile. 4. Rectifier la plomberie du domicile.
GARANTIE TOTALE DE LA DEUXIÈME À LA CINQUIÈME ANNÉE À COMPTER DE LA DATE D'ACHAT	Remplacement ou réparation du revêtement intérieur du réfrigérateur/congélateur si la pièce se fend par suite d'un défaut de matériaux ou de main-d'oeuvre. Les travaux doivent être effectués par un service de réparations autorisé par KitchenAid. Les pièces de rechange et de main-d'oeuvre pour rectifier les défauts de matériaux ou de fabrication du système scellé de réfrigération. Ces pièces sont : 1. Le compresseur; 2. L'évaporateur; 3. Le condenseur; 4. Le déshydrateur; 5. Les tuyaux de raccordement. Les travaux doivent être effectués par un service de réparations autorisé par KitchenAid.	B. Les réparations lorsque le réfrigérateur est utilisé à des fins autres qu'un usage ménager normal. C. Des dommages causés par un accident, des modifications, un mauvais usage, un abus, une installation inappropriée ou une installation non conforme aux règles locales en matière d'électricité ou de plomberie. D. La perte d'aliments due à une panne de l'appareil. E. Tous frais de main-d'oeuvre pendant les garantie limitée. F. Le coût des pièces de rechange et de la main-d'oeuvre pour les appareils utilisés en dehors du Canada. G. L'enlèvement et la livraison. Cet appareil est conçu pour être réparé à domicile. H. Les réparations des pièces ou systèmes résultant de modifications inappropriées apportées à l'appareil.
GARANTIE LIMITÉE DE LA SIXIÈME À LA DIXIÈME ANNÉE À COMPTER DE LA DATE D'ACHAT	Les pièces de rechange pour rectifier les défauts de matériaux ou de fabrication du système scellé de réfrigération. Ces pièces sont : 1. Le compresseur; 2. L'évaporateur; 3. Le condenseur; 4. Le déshydrateur; 5. Les tuyaux de raccordement.	

4/95

KITCHENAID CANADA N'ASSUME PAS DE RESPONSABILITÉ POUR LES DOMMAGES FORTUITS OU INDIRECTS.

Cette garantie vous donne des droits légaux spécifiques et vous avez peut-être d'autres droits qui varient d'une province à l'autre.

KitchenAid Canada
Mississauga, Ontario L5N 3A7

12100702S/4343602

©1995 KitchenAid, U.S.A.

* Marque de commerce enregistrée/MC marque déposée de KitchenAid,
KitchenAid Canada, titulaire d'une licence au Canada.

10/95

Imprimé aux Etats-Unis