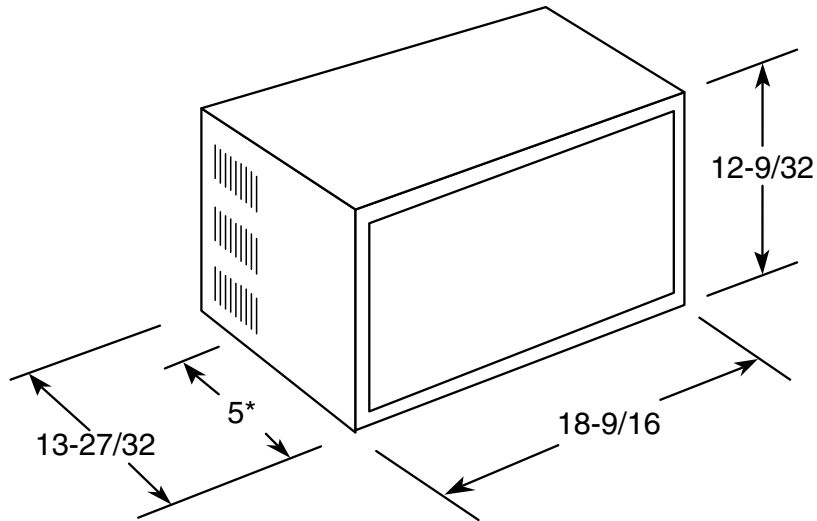




GE Appliances

AGN06LA–GE Quiet-Aire™ 115 Volt Room Air Conditioner

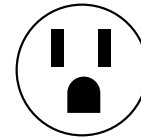
Wall Case Dimensions (in inches)



*Distance from front of case to side louvers (excluding grille).

Note: When installing units in through-the-wall applications, keep louvers free. Do not restrict air flow areas. Fixed chassis units are not designed for through-the-wall applications.

Parallel



115V
15 Amp

Wall Outlets: All wiring including installation of receptacle must be made in accordance with local electrical codes and regulations. Electrical outlet should be in reach of line cord.

Note: Aluminum wiring may pose special problems—consult a qualified electrician.

Specification Created 2/00

For answers to your Monogram®,
GE Profile Performance Series™,
GE Profile™ or GE appliance questions, call
GE Answer Center® service, 800.626.2000.



Total capacity and E.E.R.
ratings are calculated
based on the Association
of Home Appliance
Manufacturers' standards.

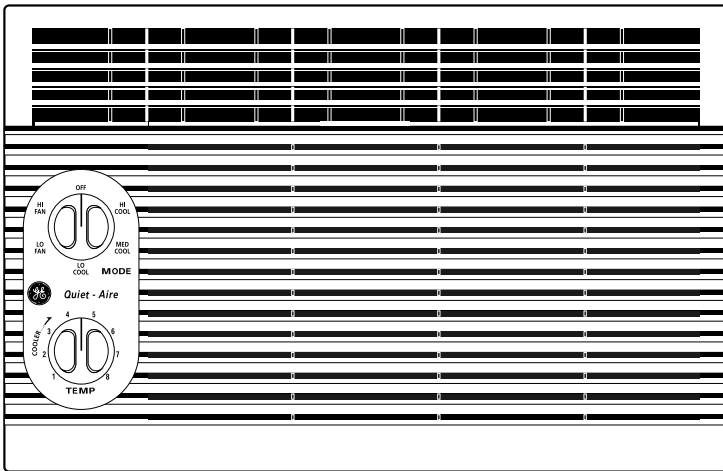


Listed by
Underwriters
Laboratories



GE Appliances

AGN06LA–GE Quiet-Aire™ 115 Volt Room Air Conditioner



Features and Benefits

- 5,800 BTUH / 8.8 EER / 115 Volts
- 8-Position Thermostat
- 3 Cooling / 2 Fan Speeds
- 660 Watts / 6.0 Amps
- 1.8 Dehumidification (pints/hr)
- 140 CFM
- Fixed Chassis
- Easy Access Rigid Frame, Slide-Out Filter
- Plug Type - Parallel
- EZ Mount Window Installation
- Model AGN06LA - White