

# SERVICE DATA SHEET

## Electric Ranges with ES 510 Electronic Oven Control & Bake-N-Warm™ Oven (some models)

**NOTICE -** This service data sheet is intended for use by persons having electrical and mechanical training and a level of knowledge of these subjects generally considered acceptable in the appliance repair trade. The manufacturer cannot be responsible, nor assume any liability for injury or damage of any kind arising from the use of this data sheet.

### SAFE SERVICING PRACTICES

To avoid the possibility of personal injury and/or property damage, it is important that safe servicing practices be observed. The following are examples, but without limitation, of such practices.

1. Before servicing or moving an appliance remove power cord from electrical outlet, trip circuit breaker to OFF, or remove fuse.
2. Never interfere with the proper installation of any safety device.
3. **GROUNDING:** The standard color coding for safety ground wires is **GREEN** or **GREEN WITH YELLOW STRIPES**. Ground leads are not to be used as current carrying conductors. **It is extremely important that the service technician reestablish all safety grounds prior to completion of service. Failure to do so will create a potential safety hazard.**

4. Prior to returning the product to service, ensure that:
  - All electric connections are correct and secure.
  - All electrical leads are properly dressed and secured away from sharp edges, high-temperature components, and moving parts.
  - All uninsulated electrical terminals, connectors, heaters, etc. are adequately spaced away from all metal parts and panels.
  - All safety grounds (both internal and external) are correctly and securely reassembled.

### OVEN CALIBRATION

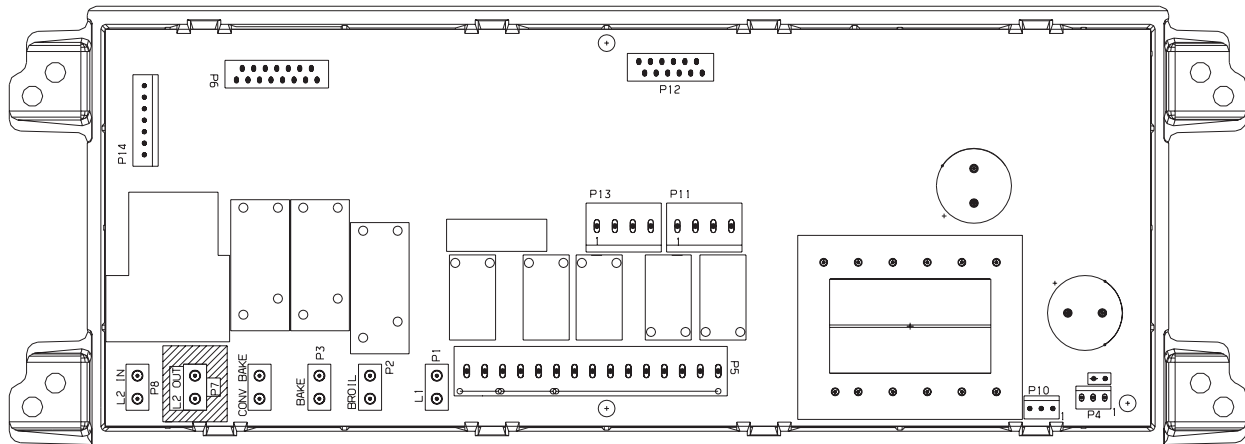
Set the electronic oven control for normal baking at 350°F. Obtain an average oven temperature after a minimum of 5 cycles. Press **STOP/CLEAR** to end bake mode.

### TEMPERATURE ADJUSTMENT

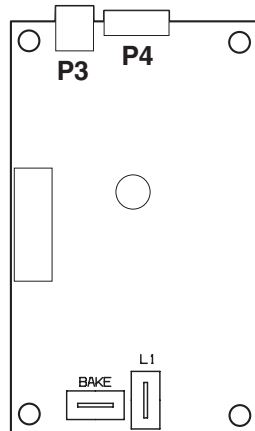
1. Set EOC to bake at 550°F.
2. Within 5 seconds of setting 550°F, press and hold the bake pad for approximately 15 seconds until a single beep is heard (longer may cause **F11** shorted keypad alarm).
3. Calibration offset should appear in the display.
4. Refer to the instructions in the Use & Care to adjust the oven temperature up or down.
5. Once the desired (-35° to 35°) offset has been applied, press **STOP/CLEAR**.

**Note:** Changing calibration affects normal Bake mode. The adjustments made will not change the Self-Cleaning cycle temperature.

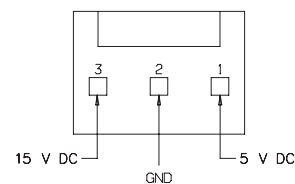
### ELECTRONIC OVEN CONTROL (EOC rear view)



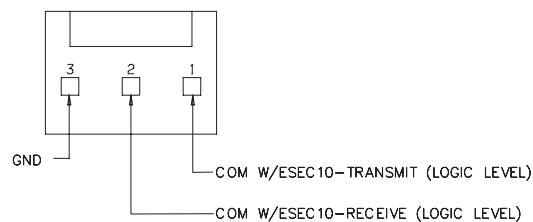
### BAKE-N-WARM™ DOUBLE OVEN CONTROL BOARD (REAR VIEW)



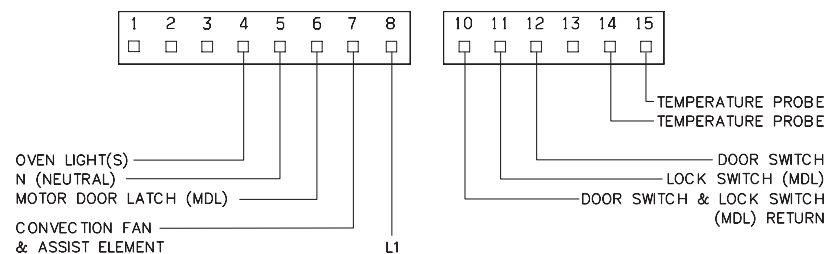
### EOC P10 BAKE-N-WARM™ CONNECTION (some models)



### EOC P4 BAKE-N-WARM™ CONNECTION (some models)



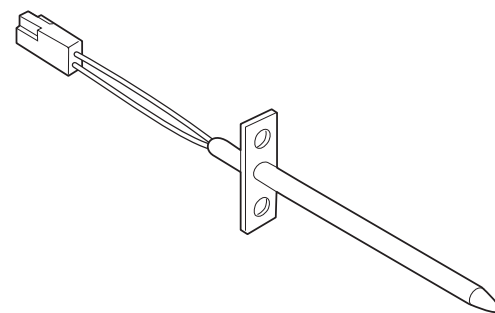
### EOC P5 CONNECTIONS



**IMPORTANT**  
**DO NOT REMOVE THIS BAG**  
**OR DESTROY THE CONTENTS**  
 WIRING DIAGRAMS AND SERVICE  
 INFORMATION ENCLOSED  
**REPLACE CONTENTS IN BAG**

p/n 316441475 (0607)

### RESISTANCE TEMPERATURE DETECTOR



RTD SCALE	
Temperature (°F)	Resistance (ohms)
32 ± 1.9	1000 ± 4.0
75 ± 2.5	1091 ± 5.3
250 ± 4.4	1453 ± 8.9
350 ± 5.4	1654 ± 10.8
450 ± 6.9	1852 ± 13.5
550 ± 8.2	2047 ± 15.8
650 ± 9.6	2237 ± 18.5
900 ± 13.6	2697 ± 24.4

### ELECTRONIC OVEN CONTROL FAULT CODE DESCRIPTIONS

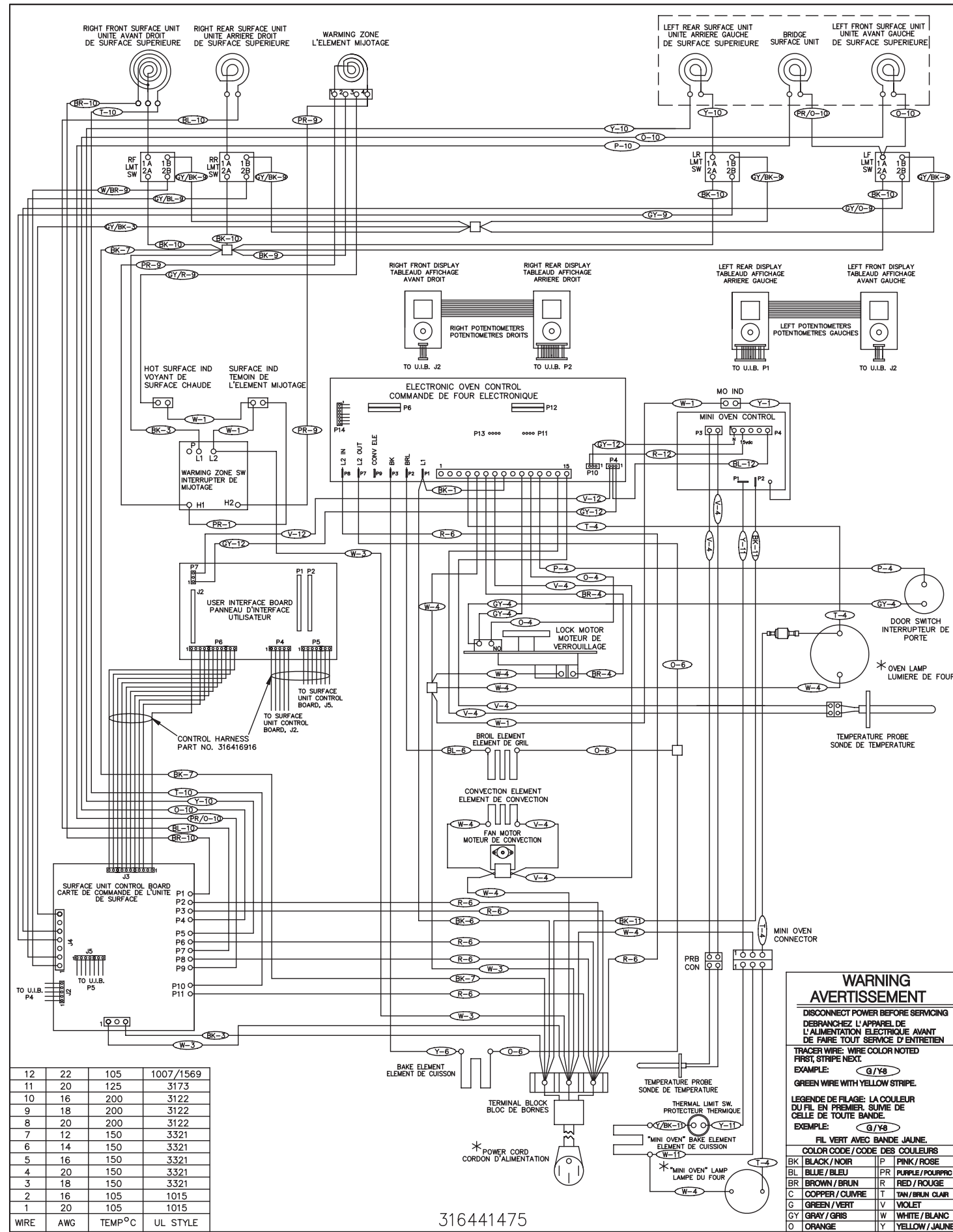
Fault Code	Likely Failure Condition/Cause	Suggested Corrective Action
<b>F10</b>	<b>Runaway Temperature.</b>	1. (F10 only) Check RTD Sensor Probe & replace if necessary. If oven is overheating, disconnect power. If oven continues to overheat when the power is reapplied, replace EOC. Severe overheating may require the entire oven to be replaced should damage be extensive. 2. (F11, 12 & 13) Disconnect power, wait 30 seconds and reapply power. 3. (F11, 12 & 13) If fault returns upon power-up, replace EOC.
<b>F11</b>	<b>Shorted Keypad.</b>	
<b>F12</b>	<b>Bad Micro Identification.</b>	
<b>F13</b>	<b>Bad EEPROM Identification/Checksum error.</b>	
<b>F20</b>	<b>Communication failure between EOC &amp; ESEC system</b>	1. Test harness/connections P4 (EOC) & P11 (Surface Element Control Board) 2. If harness checks O.K. failure can be caused by faulty UIB, Surface Element Control Board or EOC.
<b>F26</b>	<b>Communication failure with Mini Oven Control Board.</b>	
<b>F30</b>	<b>Shorted Probe connection.</b>	1. (F30 or F31) Check resistance at room temperature & compare to RTD Sensor resistance chart. If resistance does not match the RTD chart replace RTD Sensor Probe. Check Sensor wiring harness between EOC & Sensor Probe connector. 2. (F30 or F31) Check resistance at room temperature, if less than 500 ohms, replace RTD Sensor Probe. Check for shorted Sensor Probe harness between EOC & Probe connector.
<b>F31</b>		
<b>F90</b>	<b>Maximum oven door unlock time exceeded.</b>	1. (F90, 91, 92, 93 & 94) Check the wiring between EOC & Lock Motor Micro Switch. 2. (F90, 91, 92, 93 & 94) Replace the Motor Door Latch assembly if necessary. 3. (F90, 91, 92, 93 & 94) Check for binding of the Latch Cam, Lock Motor Rod & Lock Motor Cam. 4. (F90, 91, 92, 93 & 94) Check to see if Lock Motor Coil is open. If open, replace Lock Motor Assembly. 5. (F90, 91, 92, 93 & 94) Lock Motor continuously runs - if Micro Switch is open, replace Lock Motor Assembly. 6. (F92, 93 & 94) Check oven door Light Switch - if open, replace Switch. 7. If all situations above do not solve problem, replace EOC.
<b>F91</b>	<b>Maximum oven door unlock attempts exceeded.</b>	
<b>F92</b>	<b>Maximum oven door open time exceeded.</b>	
<b>F93</b>	<b>Maximum oven door lock time exceeded.</b>	
<b>F94</b>	<b>Maximum oven door lock attempts exceeded.</b>	

### CIRCUIT ANALYSIS MATRIX

	EOC Relays					
	L1 to Bake	L1 to Broil	L1 to Motor Door Latch	L1 to Conv/Speed Bake Fan	L2 IN to L2 OUT	Door Switch COM-NO
Bake/Time Bake	X	X*			X	
Conv/Speed Bake	X	X*		X	X	
Broil		X			X	
Clean	X				X	
Locking			X			
Unlocking			X			
Door Open						
Door Closed						X
Cooktop Active						

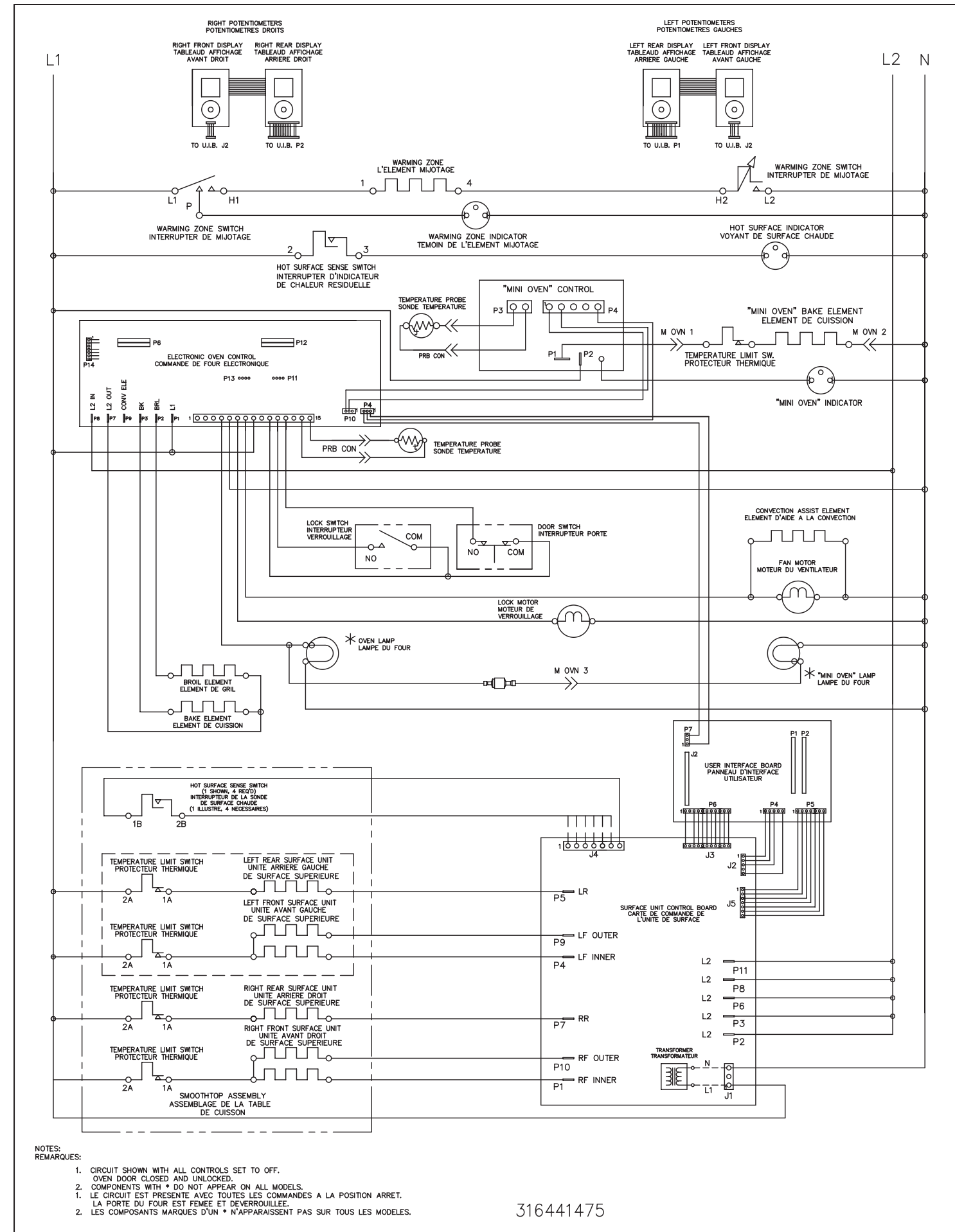
Note: X=Relay Contacts Closed. \*Alternates with the Bake Element.

# GENERAL TROUBLESHOOTING DIAGRAM



316441475

# GENERAL TROUBLESHOOTING SCHEMATIC



316441475

## SERVICE DATA SHEET

### Electric Smoothtop Ranges with Electronic Surface Element Control (ESEC20R)

**NOTICE** - This service data sheet is intended for use by persons having electrical and mechanical training and a level of knowledge of these subjects generally considered acceptable in the appliance repair trade. The manufacturer cannot be responsible, nor assume any liability for injury or damage of any kind arising from the use of this data sheet.

#### SAFE SERVICING PRACTICES

To avoid the possibility of personal injury and/or property damage, it is important that safe servicing practices be observed. The following are examples, but without limitation, of such practices.

- Before servicing or moving an appliance remove power cord from electrical outlet, trip circuit breaker to OFF, or remove fuse.
- Never interfere with the proper installation of any safety device.
- GROUNDING:** The standard color coding for safety ground wires is *GREEN* or *GREEN WITH YELLOW STRIPES*. Ground leads are not to be used as current carrying conductors. **It is extremely important that the service technician reestablish all safety grounds prior to completion of service. Failure to do so will create a potential safety hazard.**
- Prior to returning the product to service, ensure that:
  - All electric connections are correct and secure.
  - All electrical leads are properly dressed and secured away from sharp edges, high-temperature components, and moving parts.
  - All uninsulated electrical terminals, connectors, heaters, etc. are adequately spaced away from all metal parts and panels.
  - All safety grounds (both internal and external) are correctly and securely reassembled.

#### ELECTRONIC SURFACE ELEMENT CONTROL (ESEC)-

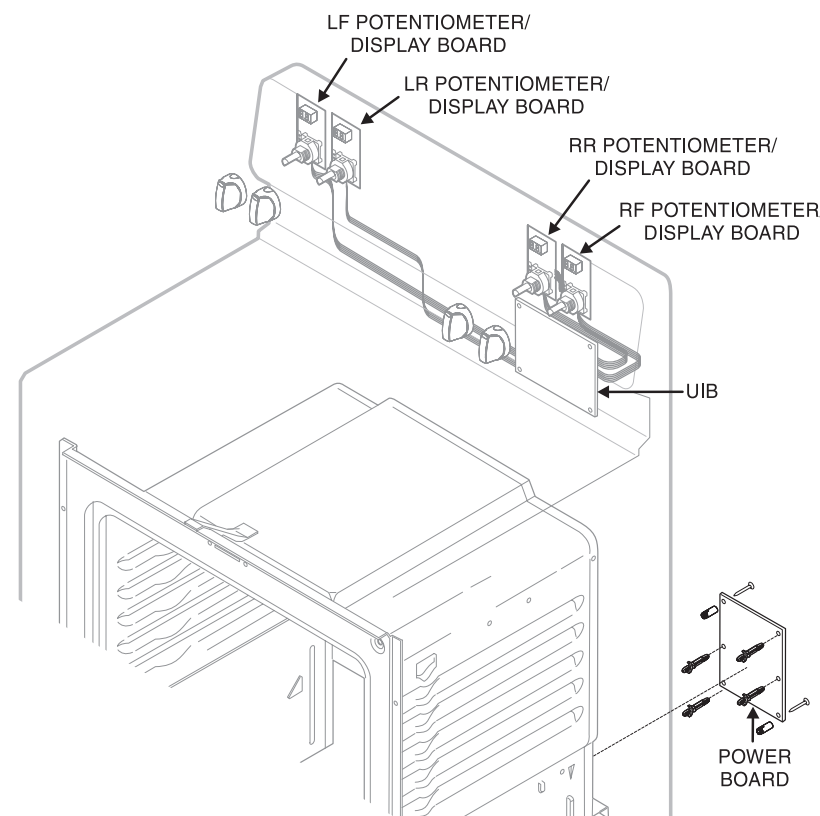
This range is equipped with an Electronic Surface Element Control (ESEC), which precisely controls the smoothtop cooking elements at multiple settings. (The Warming Zone element is not controlled by the ESEC). For the user, the elements are operated in the same way as with conventional controls, by pushing in and turning the knob to the desired setting. The setting is shown in the digital display above the knob, instead of using graphics on the control panel.

**ESEC Hot Element Indicator ("HE")** - While an element surface is hot, that element's display will show "HE". This is in place of the usual hot surface indicator light on ranges with conventional controls.

**ESEC Lockout Feature ( "- -" )** - The electronic oven control's Clean feature will not operate when a surface element is ON. Conversely, the surface elements controlled by the ESEC will not operate when an oven control Clean mode is active. When the oven control is in a Clean mode, "- -" will appear in the ESEC displays to signify that the surface elements are locked out.

NOTE: The "HE" (hot element) display will always have priority over the "- -" display.

**ESEC System Components** - The ESEC system consists of a **Power Board** (control board mounted on the mainback of the range) and User Interface Board or **UIB** (main circuit board mounted in the control panel), four **Potentiometer Display Boards** (push-to-turn control for each element) and the **ESEC Harness** that connects the boards and the oven control. The ESEC boards communicate with each other to control the elements and with the oven control for the lockout modes (See the ESEC System Diagram on reverse side of this Service Data Sheet).



## SERVICE DATA SHEET

### Electric Smoothtop Ranges with Electronic Surface Element Control (ESEC20R)

#### ELECTRONIC SURFACE ELEMENT CONTROL (ESEC20R) TROUBLESHOOTING GUIDE

Symptom	Likely Failure Condition/Cause	Suggested Corrective Action
F0 13	Bad EEPROM checksum.	1. Replace UIB.
F0 15	ESEC Self-test failure.	1. Replace UIB.
F5 00	No LinBUS master communication.	1. Bad ESEC harness connections. 2. Bad EOC. 3. Bad UIB. 4. Contact technical line for further assistance.
F7 00 F7 01 F7 10	Missing connection between Potentiometer/Display Board and UIB.	1. Bad ESEC harness connections 2. Bad UIB. 3. Bad Potentiometer/Display Board. 4. Contact technical line for further assistance.

#### Notes on Replacing ESEC Parts

**\*NOTE:** Electronic boards are very sensitive to static electricity. Static electricity can permanently damage electronic boards. Before handling these parts, be sure to drain static electricity from your body by properly grounding yourself.

**Replacing Potentiometer/Display Boards \*** - Each of the four push-to-turn controls (Potentiometer/Display Boards) are mounted to the control panel with a hex nut and lockwasher. When replacing a potentiometer, do not over-tighten the hex nut - a torque of only 5 in.-lbs. is required to properly mount the potentiometer. Over-tightening the hex nut will negatively affect the smooth feel of the knob turn and can damage the potentiometer.

NOTE: Both Potentiometer/Display Boards must be replaced in pairs (LH or RH sides) at the same time.

**Replacing the Power Board \*** - When replacing the main control board (Power Board) on the back of the range, do not over-tighten the 2 screws that secure the Power Board. A torque of only 10 in.-lbs. is required to tighten the screws. Over-tightening the screws can damage the plastic standoffs and possibly the board itself.

**Replacing the UIB \*** - When replacing the UIB, DO NOT over-tighten the 2 screws that secure the UIB.

## IMPORTANT

**DO NOT REMOVE THIS BAG  
OR DESTROY THE CONTENTS**

WIRING DIAGRAMS AND SERVICE  
INFORMATION ENCLOSED

**REPLACE CONTENTS IN BAG**

# ESEC20R SYSTEM DIAGRAM

