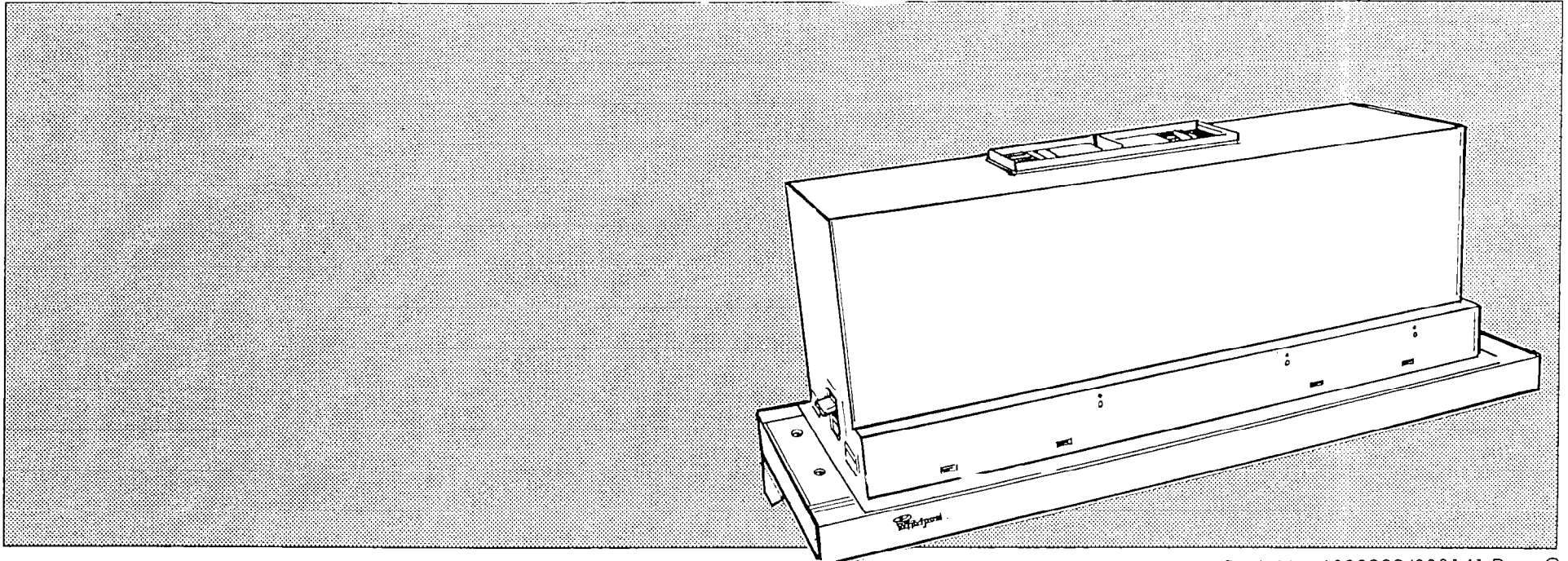


Installation Instructions



Part No. 6899000/863141 Rev. C

IMPORTANT:
Read and save
these instructions.

IMPORTANT

Installer: Leave Installation Instructions with homeowner.

Homeowner: Keep Installation Instructions for future reference.

Save Installation Instructions for local electrical inspector's use.

30" and 36"
Kitchen Slide-out
Range Hood

10193

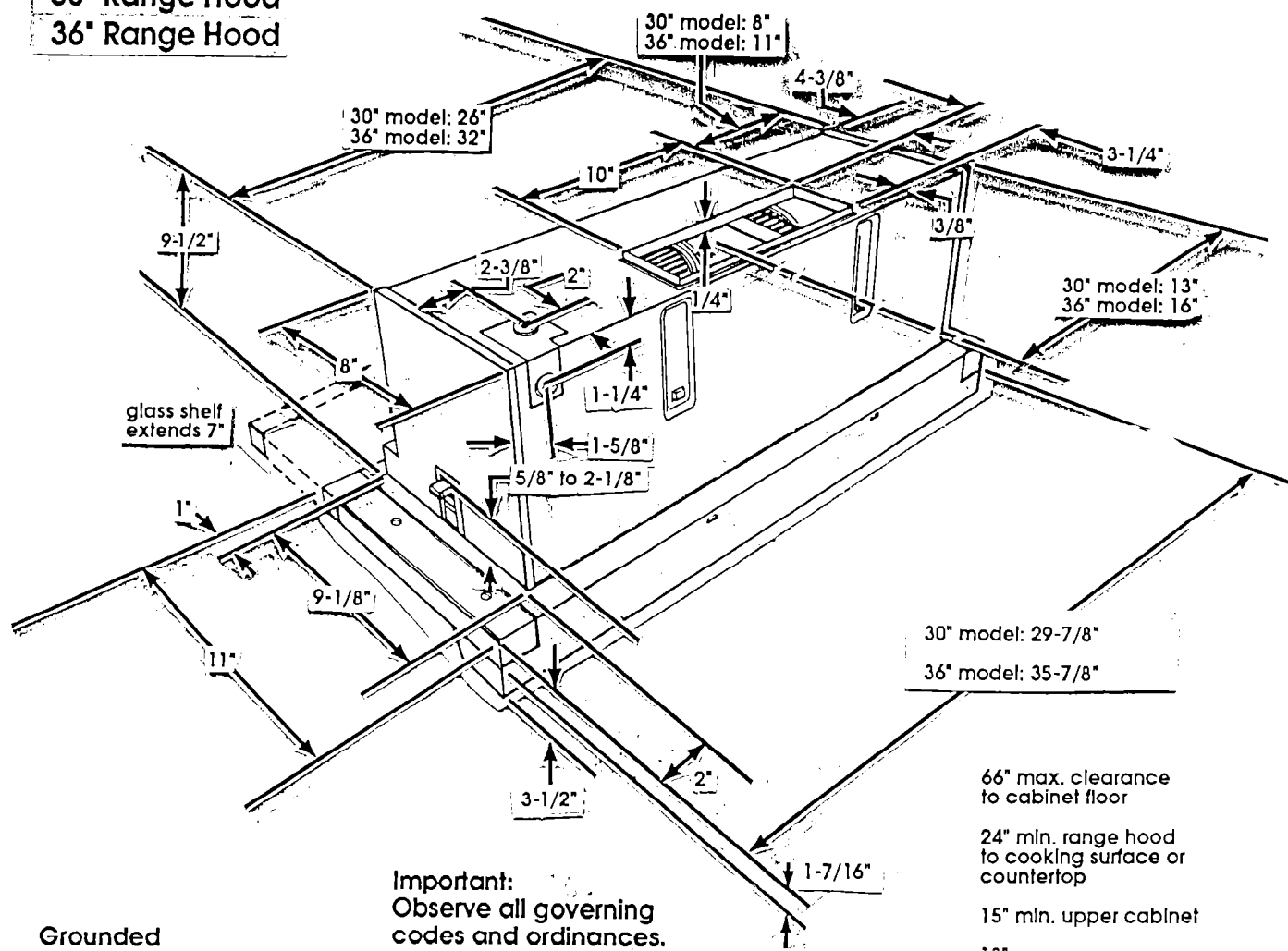


Before you start...

Proper installation is your responsibility. Make sure you have everything necessary for correct installation. It is the responsibility of the installer to comply with the clearances specified.

Check the location where the range hood will be installed. The location should be away from strong draft areas, such as windows, doors, and strong heating vents.

30" Range Hood 36" Range Hood



Grounded electrical supply is required. See Electrical requirements.

Important: Observe all governing codes and ordinances.

66" max. clearance to cabinet floor
24" min. range hood to cooking surface or countertop
15" min. upper cabinet
13" max. upper cabinet depth

WARNING

Electrical Shock Hazard

It is the customer's responsibility:

- To contact a qualified electrical installer.
- To assure that the electrical installation is adequate and in conformance with National Electrical Code, ANSI/NFPA 70 — latest edition*, and all local codes and ordinances.
- Do Not use the fan with any solid-state speed control device.

Failure to do so could result in fire, electrical shock or other personal injury.

Care must be taken when drilling holes into wall. Electrical wires may be concealed behind the wall covering.

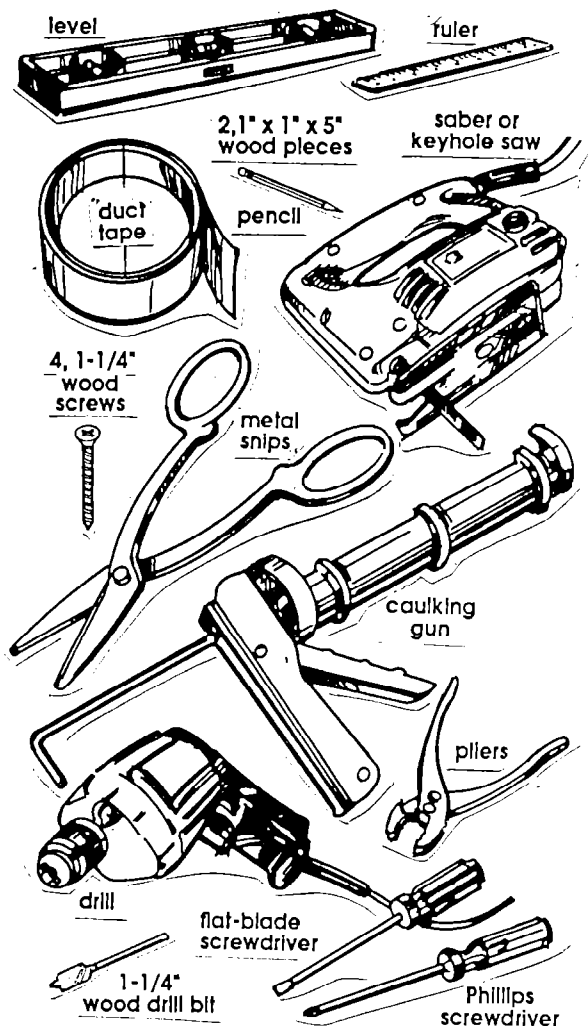
Failure to do so could result in electrical shock or other personal injury.

Personal Injury Hazard

Reaching over a heated cooking surface should be avoided. To reduce the hazard of being burned while cooking, the range hood glass screen should be extended out from under the cabinet.

Reaching over a heated cooking surface could result in a serious burn.

Tools and materials needed for installation:



Parts supplied for installation:

damper 2 screws

Mobile home installation

The installation of this range hood must conform to the Manufactured Home Construction and Safety Standards, Title 24 CFR, Part 3280 (formerly the Federal Standard for Mobile Home Construction and Safety, Title 24, HUD, Part 280).

Four-wire power supply must be used and the appliance wiring must be revised. See Electrical requirements. Copies of the standards listed may be obtained from:

* National Fire Protection Association
Batterymarch Park
Quincy, Massachusetts 02269

Electrical requirements

WARNING

Electrical Shock Hazard

- Electrical ground is required on this appliance.
- Improper connection of the equipment-grounding conductor can result in electrical shock.
- Check with a qualified electrician if you are in doubt as to whether the appliance is properly grounded.
- Do Not have a fuse in the neutral or grounding circuit. A fuse in the neutral or grounding circuit could result in electrical shock.

Failure to follow these instructions could result in an electrical shock or other personal injury.

A.

A 115-volt, 60-Hz, AC only, 15 ampere fused electrical supply is required. A time-delay fuse or circuit breaker is recommended. It is recommended that a separate circuit serving only this appliance be provided.

B.

It is the personal responsibility and obligation of the customer to contact a qualified electrician to assure that the electrical installation is adequate and in conformance with the National Electrical Code ANSI/NFPA 70-latest edition* and all local codes and ordinances.

C.

The range hood must be connected with copper wire only.

D.

The range hood should be connected directly to the fused disconnect (or circuit breaker) box through flexible armored or non-metallic sheathed copper cable. A U.L.-listed conduit connector must be provided at each end of the power supply cable. Wire sizes (COPPER WIRE ONLY) and connect or must conform with the rating of the appliance as specified on the serial/rating plate located behind the left filter on the rear wall of the range hood.

Wire sizes must conform to the requirements of the National Electrical Code ANSI/NFPA 70-latest edition*, and all local codes and ordinances.

Temporary grounding method

This, however, is not recommended.

If the recommended grounding method is impossible—connect a separate, grounding wire (No.-16 minimum) to the green, grounding screw inside the range hood terminal box. Connect the other end of the separate grounding wire to a grounded, metal cold water pipe. ** (See Figure 1.)

Do not ground to a gas supply pipe or hot water pipe. Do Not connect to electrical supply until appliance is permanently grounded. (See Figure 1.)

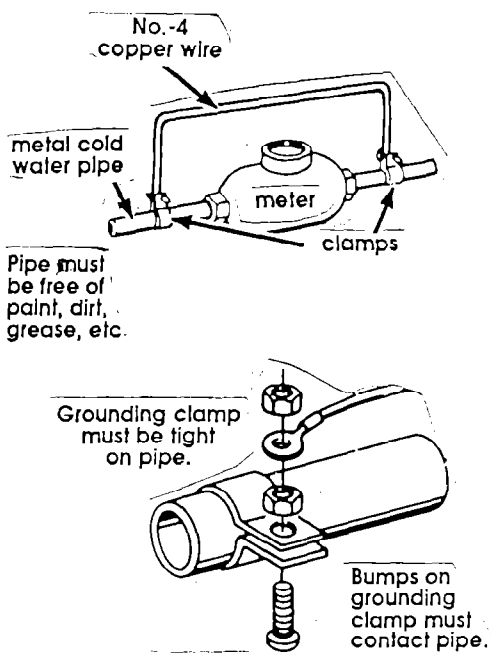


Figure 1

**Grounded, metal cold water pipe must have metal continuity to electrical ground and not be interrupted by plastic, rubber or other electrical insulating connectors such as hoses, fittings, washers or gaskets (including water meter or pump). Any electrical insulating connector should be jumped, as shown, with a length of No.-4 wire securely clamped to bare metal at both ends. (See Figure 1.)

Venting requirements

⚠ WARNING

Fire Hazard

- Terminate venting system to the outside or into the kitchen.
- Do Not terminate the venting system in an attic or other enclosed space.
- Use only metal ductwork.
- Seal all ductwork with duct tape.

Failure to follow these instructions could result in a fire.

Ductwork needed for installation is not included. Wall or roof caps used must have back-draft damper.

A Non-vent Kit, Part No. 883140 is available from your Whirlpool dealer or authorized parts distributor. The non-vent kit includes a grille to terminate recirculating venting systems and charcoal filters.

Determine which venting method you wish to use — outside venting or recirculating.

Ductwork can terminate either through the roof or wall for outside venting. Ductwork for recirculating venting must terminate into the kitchen either through the cabinet or soffit.

The length of the ductwork and number of elbows should be kept to a minimum to provide efficient performance. The size of the ductwork should be uniform. Do Not install two elbows together. Use duct tape to seal all joints in the ductwork system. Use caulking to seal exterior wall or roof opening. For the most efficient and quiet operation, it is recommended that the range hood be vented vertically through the roof. Figures 2-6 show common venting methods and what types of materials are needed.

Roof outside venting

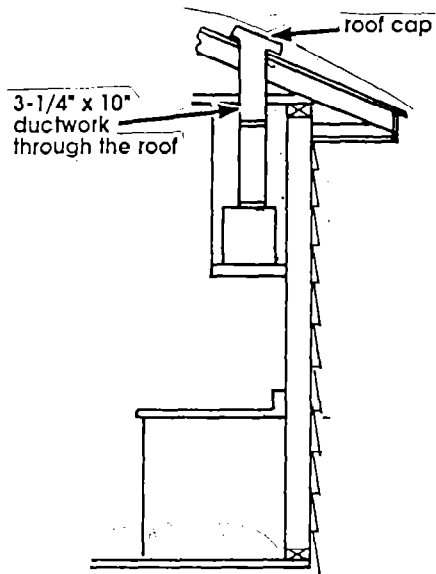


Figure 2

Wall outside venting

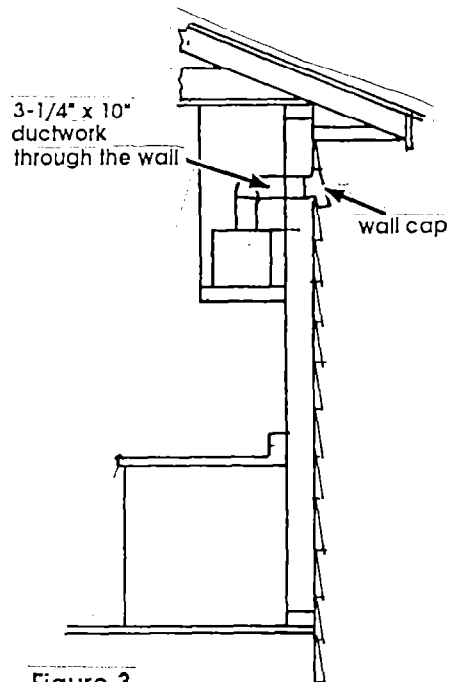


Figure 3

Recirculating venting through the soffit.

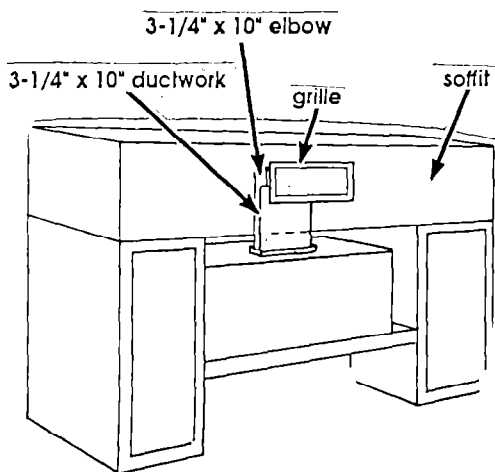
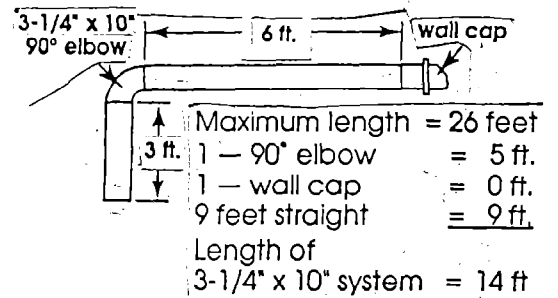


Figure 4

Recommended ductwork length
Use 3-1/4" x 10" ductwork with a maximum length of 26 feet for ductwork system. For best performance, use no more than three 90° elbows. To calculate the length of system you need, add the equivalent feet for each ductwork piece used in the system. See the following examples.

3-1/4" ductwork system



Recommended standard fittings

3/4" x 10" to 6" = 4.5 ft.	6" to 3/4" x 10" 90° elbow = 6 ft.	6" to 3/4" x 10" = 1 ft.
3/4" x 10" 90° elbow = 5 ft.	3/4" x 10" flat elbow = 12 ft.	3/4" x 10" wall cap = 0 ft.

Now start...

With range hood in kitchen.

CAUTION

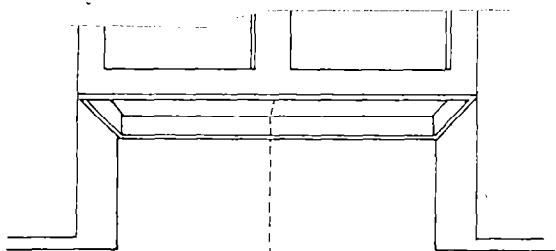
Property/Product Damage

- Slide cardboard or hardboard under range before moving range across floor.
- Cover countertop, cooktop or set-in range with a thick, protective covering.
- Install ductwork and wiring before removing range hood from carton.

Failure to do so may result in property or product damage.

1. Disconnect and move freestanding range from cabinet opening to provide easier access to upper cabinet and rear wall. Put a thick, protective covering over cooktop, set-in range or countertop to protect from damage or dirt.

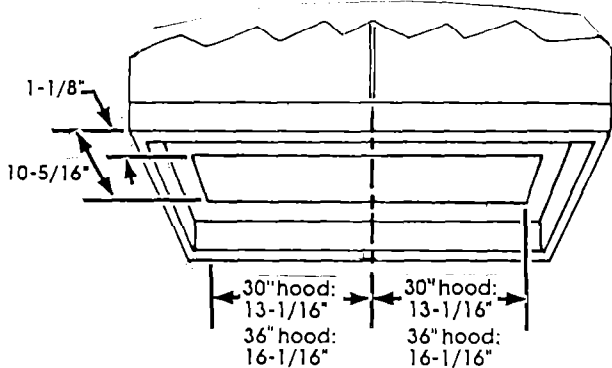
2. Determine which venting method (roof or wall outside venting or recirculating) you wish to use.



3.

centerline

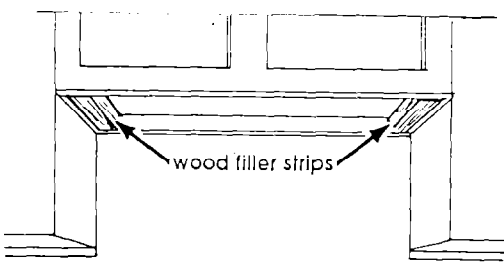
Determine and clearly mark a center line on the wall in the area where the range hood will be installed and on the underside of the cabinet.



The finished cut out size will be —
30" hood: 9-3/16" x 26-1/8"
36" hood: 9-3/16" x 32-1/8"

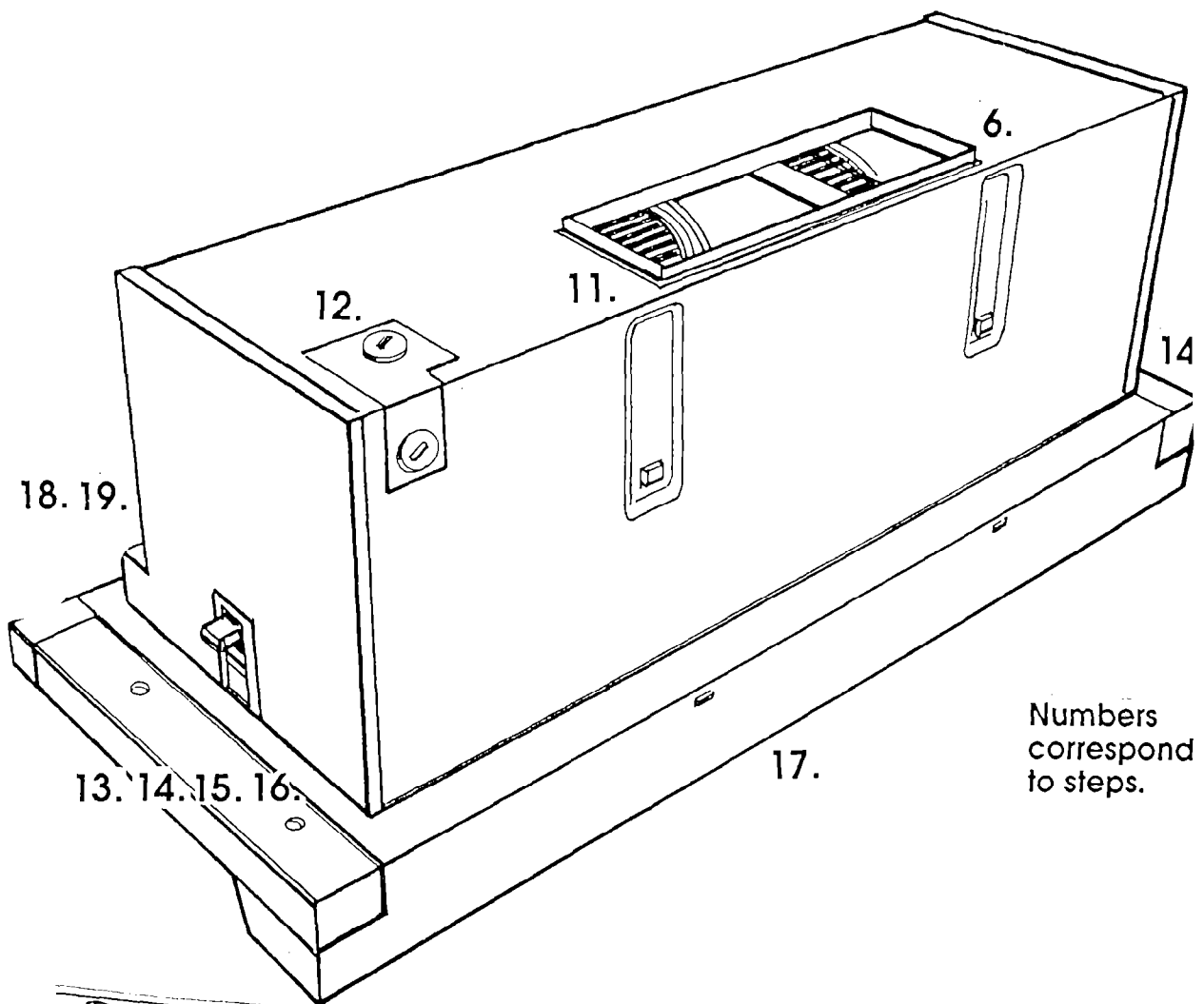
4.

Mark lines 1-1/8" and 10-5/16" back from the front on underside of cabinet. Measure and mark lines (as shown for your size of range hood) to the right and left of the center line that will connect the lines just drawn. Use a saber saw to cut opening through underside of cabinet.

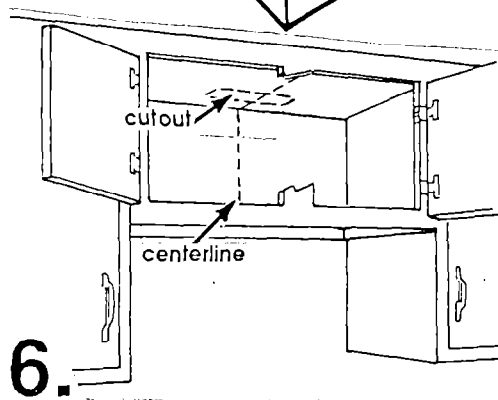


5.

If cabinet bottom is recessed, wood filler strips need to be installed on the right and left side of cutout to provide clearance for sliding glass screen. Wood filler strips should be flush or recessed 1/16" to 1/8" within cabinet bottom.



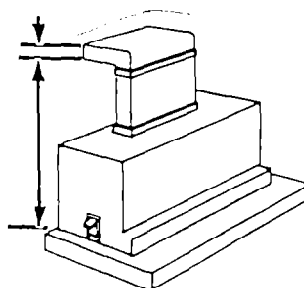
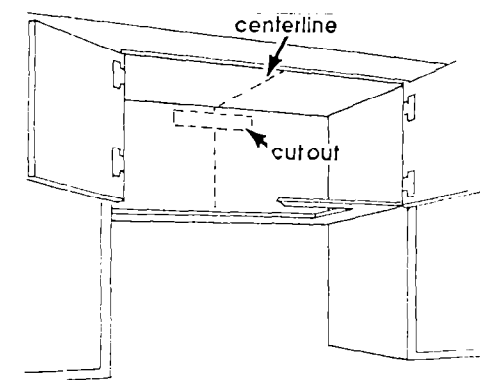
Numbers correspond to steps.



6.

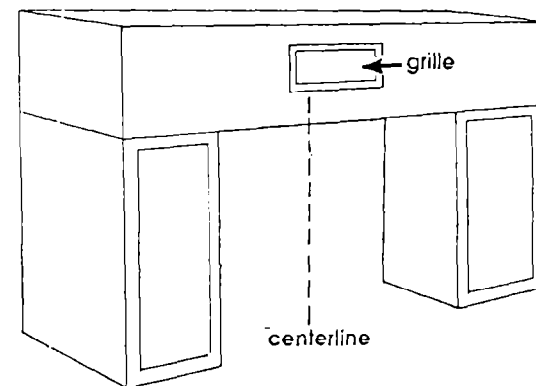
To vent outside through the roof with 3-1/4" x 10" rectangular ductwork, mark lines 1" and 5" from the back wall inside on the cabinet ceiling. Measure and mark lines 5" to right and left of center line that connect the lines just drawn. Use a saber saw to cut a rectangular opening for the ductwork.

To vent inside through top of cabinet with 3-1/4" x 10" rectangular ductwork, mark lines 1" and 5" from the back wall inside on the cabinet ceiling. Measure and mark lines 5" to right and left of center line that connect the lines just drawn on the cabinet ceiling. Use a saber saw to cut a rectangular opening for the ductwork.



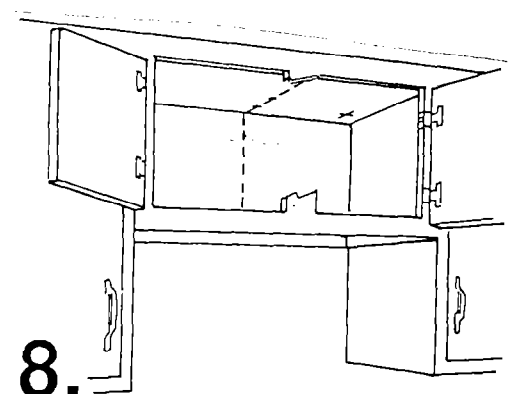
To vent outside through wall with 3-1/4" x 10" rectangular ductwork, assemble ductwork over vent opening. Do Not attach ductwork at this time. Measure from the top of the glass screen housing to top and bottom of ductwork opening.

Remove ductwork. Measure from the underside of the cutout or wood filler strip and mark lines on cabinet back wall using the measurements of the range hood and ductwork. Measure and mark lines 5" to right and left of center line that connect the lines just drawn. Use a saber saw to cut a rectangular opening for the ductwork.



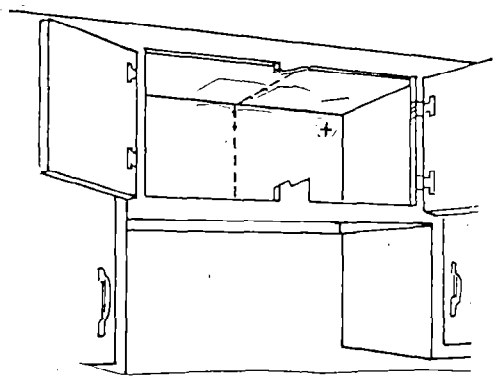
To vent inside through soffit with 3-1/4" x 10" rectangular ductwork, measure and mark a center line on the soffit above the range hood area. Use the grille from the Nonvent Kit or other grille as a template to outline opening for ductwork. Use a saber saw to cut a rectangular opening for the ductwork.

7. Install ductwork according to method needed. (See Venting requirements.) Use caulking to seal exterior wall or roof opening. If ductwork vents into the kitchen, attach the vent cover to the cabinet or soffit to terminate ductwork.



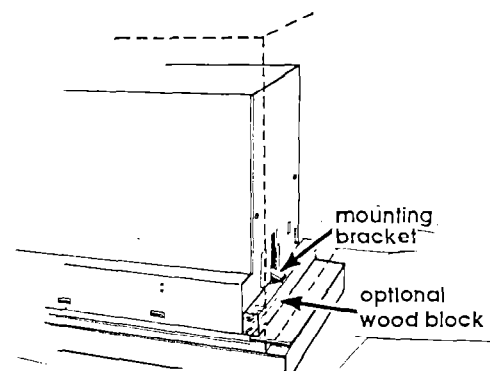
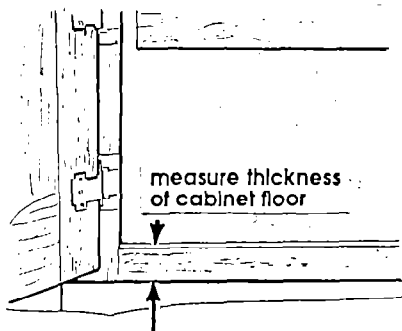
8.

To wire through top wiring knockout, measure and mark a line 10-5/8" (for 30" hood) or 11-5/8" (for 36" hood) from right of center line on cabinet ceiling. Mark the point on this line that is 4" from back wall of the cabinet. Drill a 1-1/4" diameter hole through the cabinet ceiling.

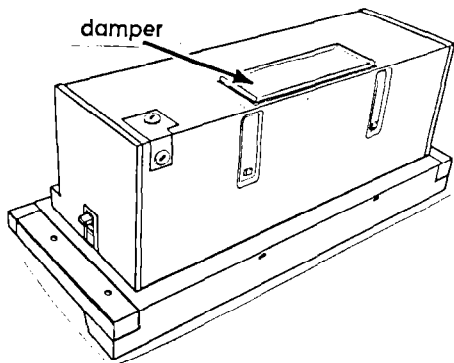


To wire through rear wiring knockout, mark a line 11-3/8" (for 30" hood) or 14-3/8" (for 36" hood) from right of center line on back wall of cabinet. Mark the point on this line that is 8-1/4" from the bottom of the cabinet. Drill 1 1/4" diameter hole through the cabinet wall.

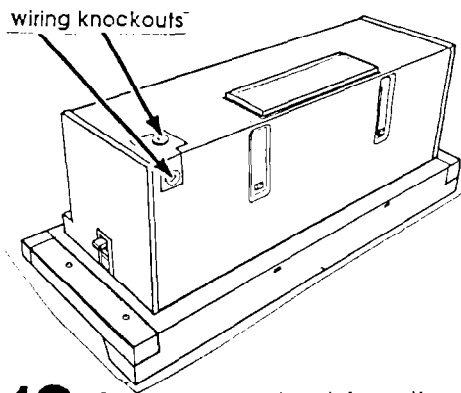
9. Run wiring through wall or cabinet according to the National Electrical Code and all local codes and ordinances. **Do Not turn on power until installation is complete.** Use caulking to seal around wire opening.



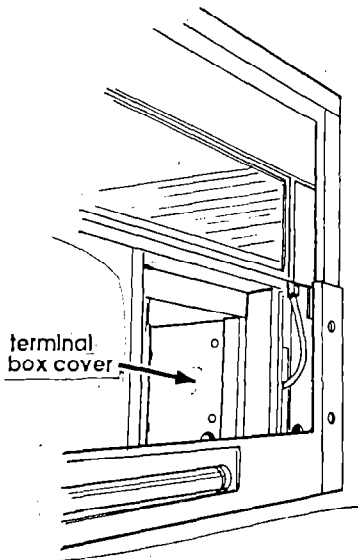
10. Measure the thickness of the cabinet floor (including filler strips if used). If the thickness is less than 5/8", install a 5"-long wood block on each side cabinet wall so that the mounting bracket overlaps it. One end of the wood block should be against the cabinet front wall or edge. The mounting bracket will adjust 5/8" to 2-1/8" for the wood block.



11. Remove range hood from carton. Attach damper to vent opening. If roof cap has a damper, do not attach damper to range hood.

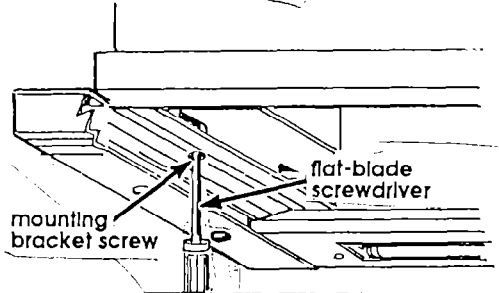
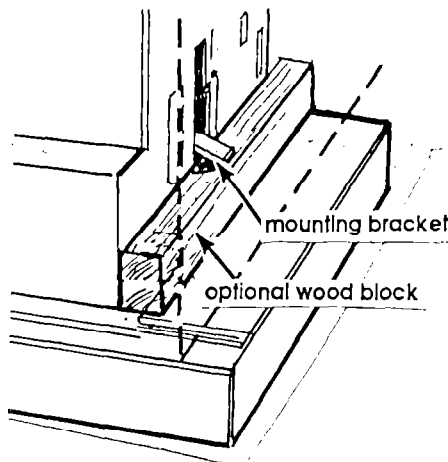


12. Remove knockout from the wiring opening (top or rear) to be used.

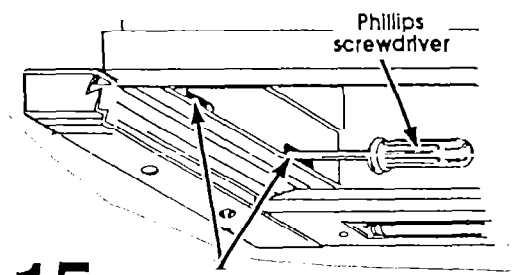


13. Place range hood on its back on a protected surface. Slide glass screen forward. Pull tabs to remove filters. Remove terminal box cover. Close glass screen. Slide mounting brackets to top position.

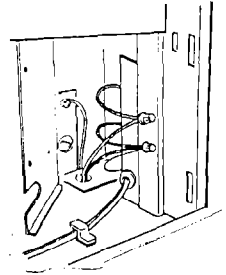
⚠ WARNING
Personal Injury Hazard
 More than one person is required to help with appliance installation because of its weight and size. Failure to follow these instructions may result in personal injury.



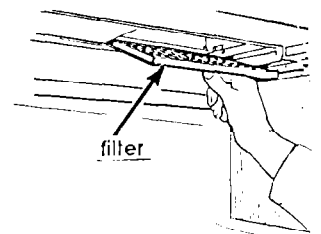
14. Lift range hood into final position and feed electrical wire through wiring opening. Mounting brackets should overlap cabinet bottom or wood blocks. Center range hood. Check that the front panel is parallel with the cabinet front when the screen is pushed in. Slide glass screen forward. Tighten mounting bracket screws so that range hood is secured to cabinet.



15. Align the hood's front panel with the cabinet: Slide glass screen forward. Locate two screws on each side and turn counterclockwise to loosen screws. Adjust front of range hood vertically (3/8" up or down) or horizontally (3/4" front to back) until front is flush with cabinet. Tighten screws. **Do Not** adjust more than dimensions given.



16. Connect the white and black wires of the power supply cable to the white and black leads in the hood with twist-on connectors. Connect the power supply grounding wire to the green, grounding screw inside the range hood terminal box. Replace terminal box cover.



17. Outside vented range hood: Replace metal filters.

Recirculating vented range hood: Insert charcoal filters on top of small round pins located on edges of metal flange with plastic tab towards the front of range hood. Replace metal filters. Close glass screen.

18. Turn power supply on. Slide glass screen forward. Check operation of range hood fan and light. Close glass screen.

19. The front panel of the range hood can be changed for a customized or more blended look. Black or white acrylic panel kits are available from your Whirlpool dealer.

Kit Numbers for Acrylic Front Panel

	30" Range Hood	36" Range Hood
White	883144	883145
Black	883142	883143

Custom front panel can be cut 30" or 36" long (depending on size of range hood) by 1-1/2" wide and 3/4" thick. Remove three cross-recess screws located behind the front trim panel in the glass screen frame. Attach new front trim panel to glass screen frame.

You have just finished installing your new range hood.
Congratulations!
 Keep Installation Instructions close to range hood for easy reference.

Use & Care Information

⚠ WARNING

Electrical Shock Hazard

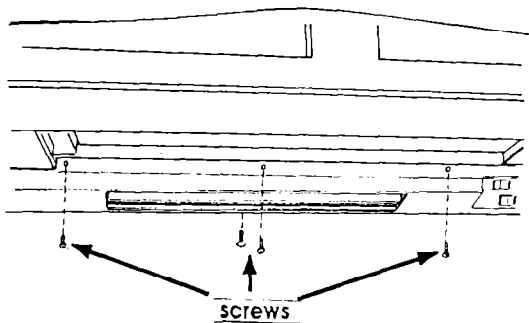
- Disconnect power supply before cleaning or servicing.
 - Disconnect power to range hood if any electrical problem becomes evident during use.
- Failure to follow these instructions could result in an electrical shock or other personal injury.

Exterior surfaces

Clean the range hood with a mild detergent and soft cloth. Do Not use abrasive cleansers or steel wool pads.

Filters.

For best results, clean filters often. Pull tabs downward to remove filters. Place filters in dishwasher or hot sudsy water to clean.

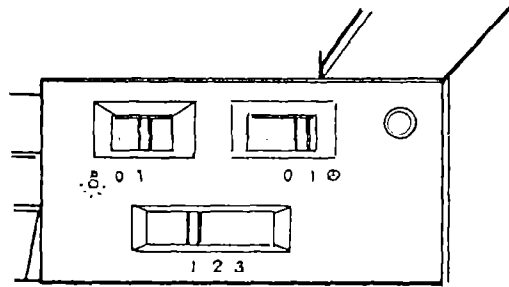


Replacing light bulb

1. Remove four screws above light cover and set aside.
2. Pull light cover forward slightly and then downward. The cover is not removable.
3. Replace light bulb with a 12 inch, 15 watt fluorescent light bulb.
4. Lift cover back into position. Replace screws.

Operation of range hood.

For best results, turn range hood fan on at beginning of cooking and allow it to run until all smoke and odors are removed from room.



To turn fan ON:

Slide glass screen forward. Slide the fan "ON/OFF" button to the right. Slide the fan "Speed" button to the right until fan reaches desired speed. Speed may be increased or decreased anytime during range hood operation. An indicator light should be on.

To turn fan OFF:

Close the glass screen. When the glass screen is opened again, the fan will operate at the last setting. The fan can also be turned off by sliding the "ON/OFF" button to the left.

To turn range hood light ON:

Slide the light switch to the right. The light will also be on each time the glass screen is opened.

To turn light OFF:

Slide light "OFF" button to the left. Or close glass screen.

If range hood does not operate...

Check that the circuit breaker is not tripped or the fuse blown.

If you need assistance...

The Whirlpool Consumer Assistance Center will answer any questions about operating or maintaining your cooktop not covered in the Installation Instructions. The Whirlpool Consumer Assistance Center is open 24 hours a day, 7 days a week. Just dial 1-800-253-1301 — the call is free.

When you call, you will need the range hood model number and serial number. Both numbers can be found on the serial/rating plate located behind the left filter on the rear wall of the range hood.

If you need service...

In the event your Whirlpool appliance should need service, call the dealer from whom you purchased the appliance or a Whirlpool-authorized service company. A Whirlpool-authorized service company is listed in the Yellow Pages of your phone directory under "Appliance — Household — Major — Service or Repair." You can also obtain the service company's name and number by dialing, free, within the continental United States, the Whirlpool Consumer Assistance Center number, 1-800-253-1301. A special operator will tell you the name and number of your nearest Whirlpool-authorized service company.

Maintain the quality built into your Whirlpool appliance — call a Whirlpool-authorized service company.

Whirlpool® Range Hood Warranty

LENGTH OF WARRANTY	WHIRLPOOL WILL PAY FOR
FULL ONE-YEAR WARRANTY From Date of Purchase	FSP® replacement parts and repair labor to correct defects in materials or workmanship. Service must be provided by an authorized Whirlpool SM service company.
WHIRLPOOL WILL NOT PAY FOR	
A. Consumable parts such as light bulbs and filters. B. Service calls to: 1. Correct the installation of the range hood. 2. Instruct you how to use the range hood. 3. Replace house fuses or correct house wiring. C. Repairs when range hood is used in other than normal, single-family household use. D. Pickup and delivery. This product is designed to be repaired in the home. E. Damage to range hood caused by accident, misuse, fire, flood, act of God or use of products not approved by Whirlpool.	

WHIRLPOOL CORPORATION SHALL NOT BE LIABLE FOR INCIDENTAL OR CONSEQUENTIAL DAMAGES. Some states do not allow the exclusion or limitation of incidental or consequential damages so this limitation or exclusion may not apply to you. This warranty gives you specific legal rights, and you may also have other rights which vary from state to state.

Outside the United States, a different warranty may also apply. For details, please contact your franchised Whirlpool distributor or military exchange.

