



PERFORMANCE DATA NO LOAD & NO DOOR OPENINGS AT MID-POINT CONTROL SETTING		
Type A with Run/Start Capacitor	65°F (18°C) Ambient	90°F (32°C) Ambient
Operating Time	N/A	30 to 50%
Temperature	34° F to 45° F	34° F to 45° F
Low Side Pressure (cut-in)	30 to 45 psig 208 to 310 kPa	30 to 45 psig 208 to 310 kPa
Low Side Pressure (cut-out)	-2 to 4 psig -14 to 28 kPa	-2 to 4 psig -14 to 28 kPa
High Side Pressure (last 1/3 cycle)	90 to 120 psig 621 to 827 kPa	130 to 175 psig 896 to 1207 kPa
Wattage (last 1/3 cycle)	85 to 125	85 to 125
Amps (running)	.75 to 1.2	.75 to 1.2
Base Voltage	115 vac (127 vac max)	
CONDENSER FAN MOTOR		
Watts	RPM	Amps
3.1	1100 CW Opposite Shaft	0.03 Running
EVAPORATOR FAN MOTOR		
1.7 each	9000	.02 each

**SERVICE DATA SHEET**  
**241958200**  
**REFRIGERATOR DRAWERS - R134a**

**IMPORTANT SAFETY NOTE**

The information provided herein is designed to assist qualified repair personnel only. Untrained persons should not attempt to make repairs due to the possibility of electrical shock. Disconnect power cord before servicing this appliance.

**IMPORTANT**

If any green grounding wires are removed during servicing, they must be returned to their original position and properly secured.

**CAUTION**

All electrical parts and wiring must be shielded from torch flame. **DO NOT** allow torch to touch insulation; it will char at 200°F and flash ignite (burn) at 500°F. Excessive heat will distort the plastic liner.

**NOTE**

Your Electrolux refrigerator drawers has been designed for built-in installation. Your refrigerator drawers do not require additional air space for top, sides or rear. The front grille must **NOT** be obstructed.

To ease unit installation and removal, it is recommended that the cabinet rough opening dimensions be increased by at least ¼ inch over the dimensions given for your unit.

**IMPORTANT: PLEASE RETURN THIS SHEET TO IT'S ORIGINAL LOCATION.**

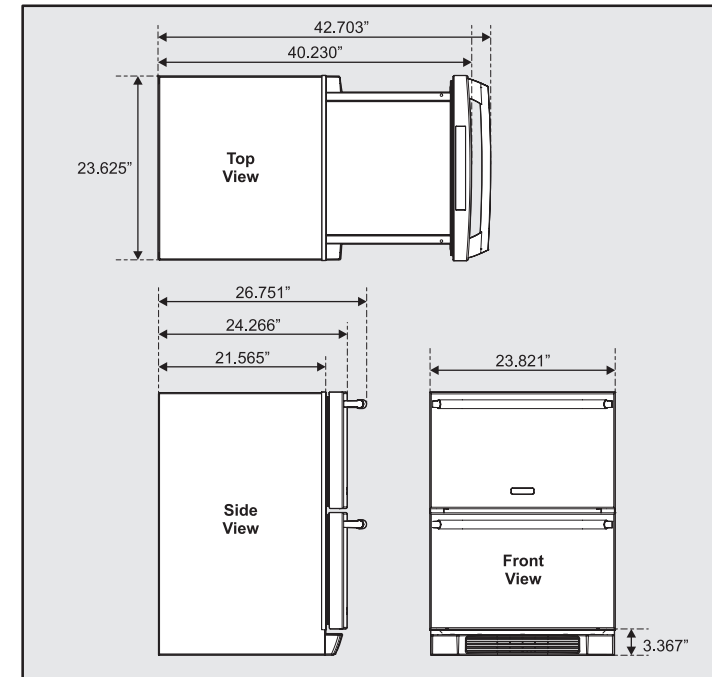
**WARNING**

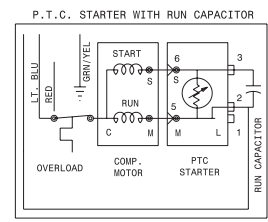
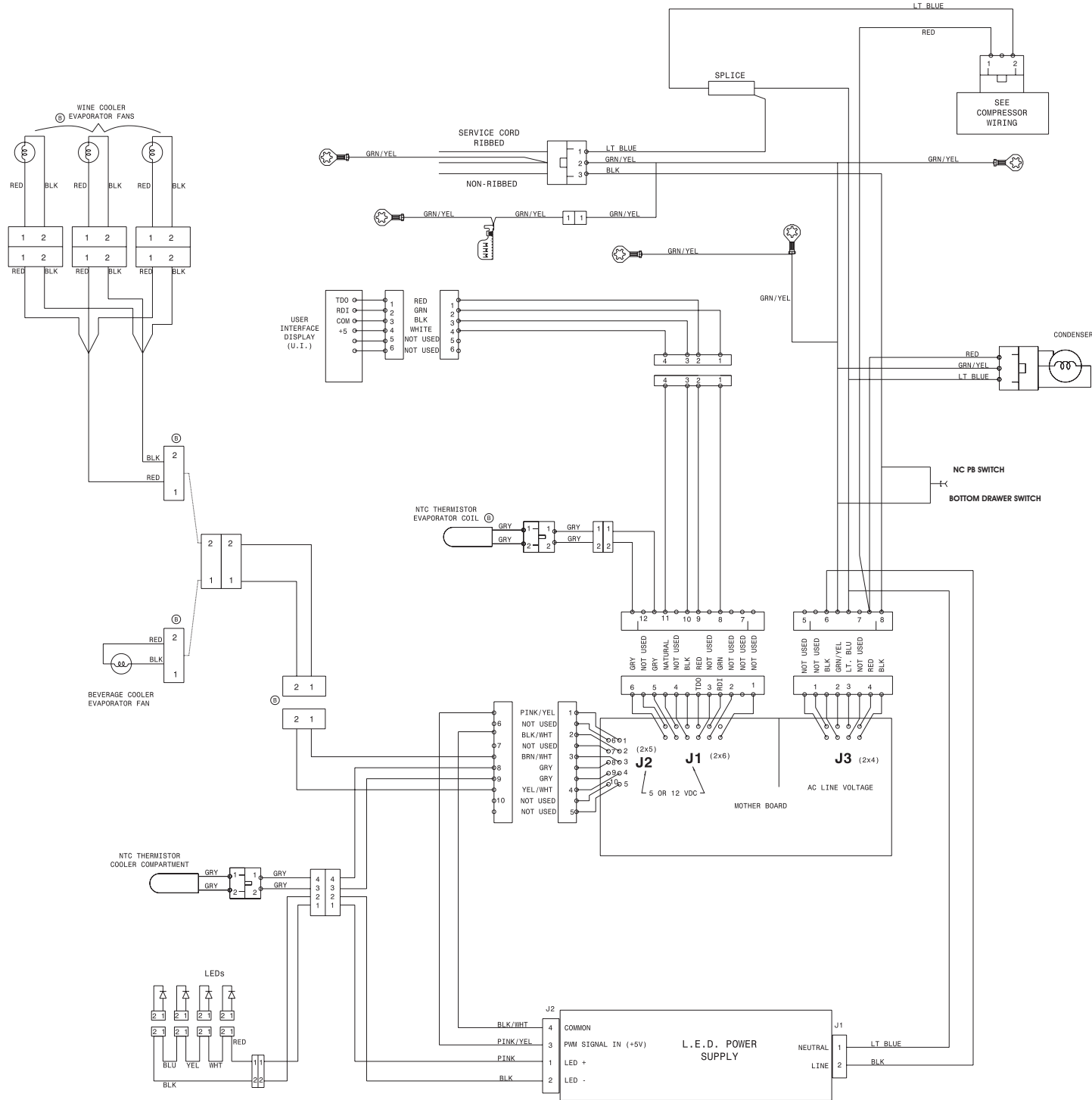
Double drawer Refrigerator Drawers are designed to be built-in only. They can not be used for free-standing.

All screws supplied with the Anti-Tip Kit are for mounting the bracket directly to wall studs. These screws will not work if used with sheetrock (dry wall) or anything other than wall studs.

**Unit Dimensions**

Width	Height	Depth
23 <sup>13</sup> / <sub>16</sub> inch	34-35 inches	26 <sup>3</sup> / <sub>4</sub> inch





\*CAPACITOR IS ONLY USED WITH SOME P.T.C. MODELS  
 STANDARD AC COMPRESSOR

