

BACKGUARD KIT INSTALLATION INSTRUCTIONS

Before you begin - Read these instructions completely and carefully.

IMPORTANT - Save these instructions for local inspector's use.

IMPORTANT - OBSERVE ALL GOVERNING CODES AND ORDINANCES.

Note to Installer - Be sure to leave these instructions with the Consumer.

Note to Consumer - Keep these instructions with your Use and Care Book for future reference.

Remove the thin, clear plastic film that covers the backguard (Peel up from corner).

This kit is used in an installation where the standard 25" deep countertop has a backsplash, and the countertop is completely removed to the back wall, as shown in Fig. 1.

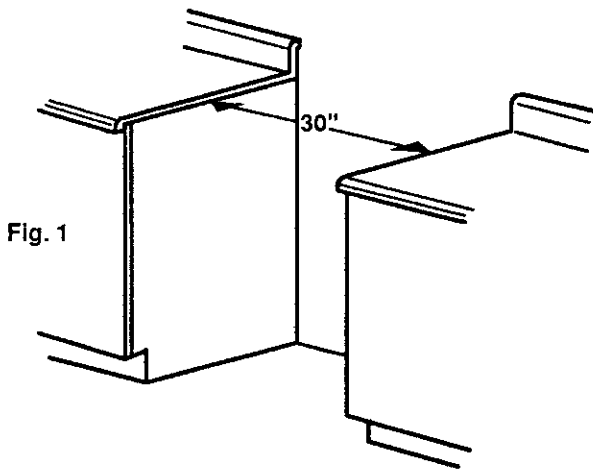


Fig. 1

STEP 1:

Review the following methods of backguard assembly and determine which method you will use:

METHOD A

The backguard kit as assembled has a right and a left endcap which will provide an assembly that will fit entirely within counter cutout.

Assemble the backguard, the endcaps and the brackets, using the Phillips head screws (through the sides of the backguard). The brackets fit inside the backguard, and the endcaps fit on the outside. See Figs 2 and 3.

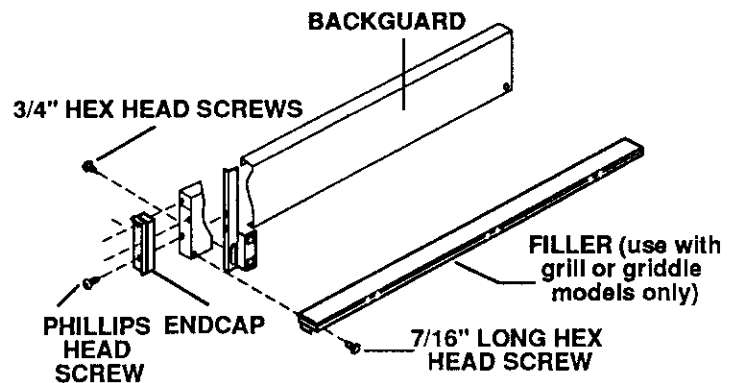


Fig. 2

METHOD B

The backsplash kit can be assembled so that endcaps overlap and cover the ends of the counter backsplash. To assemble, remove the Phillips head screw from each endcap and exchange one endcap for the other. See Fig. 3.

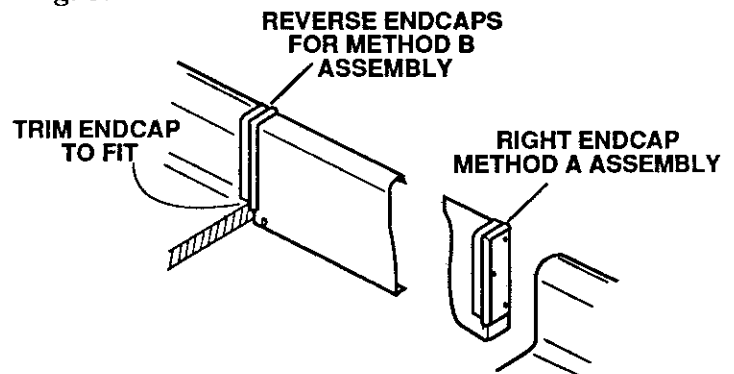


Fig. 3

Assemble the backguard, the endcaps and the brackets, using the Phillips head screws (through the sides of the backguard). The brackets fit inside the backguard. The brackets are marked right and left.

NOTE: If the distance from the back wall to the front of the counter backsplash (Dimension A in Fig. 4) is greater than 1 1/8", there will be a small gap between the wall behind the range and the backguard. This is normal.

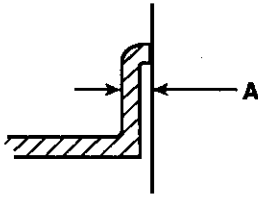


Fig. 4

Before attaching the backguard to the range, hold the backguard in place, between the counter backsplash sections on the backwall, to see how the backsplash fits the counter backsplash. If the base of the counter backsplash is curved, the endcaps may have to be trimmed to fit this radius (See Fig. 3). Use a hacksaw and/or file to do this.

Additionally, on some models, it may not be desirable or possible to adjust the backguard up high enough for the bottom of the endcaps to clear the countertop. In this case the bottom of the endcaps may be trimmed as explained above.

GRILL OR GRIDDLE MODELS

If the range is a Grill or Griddle model, attach the filler to the front of the backguard assembly using 7/16" long hex head screws. See Fig. 2. **The filler will not be used if the range is not a Grill or Griddle model.** After installation on the range, the backguard should be adjusted up or down so that the lower lip of the filler is just under the range maintop. See Fig. 5. This gives a flush look between the maintop and the filler.

STEP 2:

There are two basic range body types for which this kit is used:

- A. Slide-in ranges that have notched bodysides (as shown in Fig. 5).
- B. Slide-in ranges that do not have notched bodysides (as shown in Fig. 6).

IF THE RANGE BODYSIDES ARE NOTCHED:

Attach the backguard assembly to the range back on each side, as shown in Figure 5. See note at right.

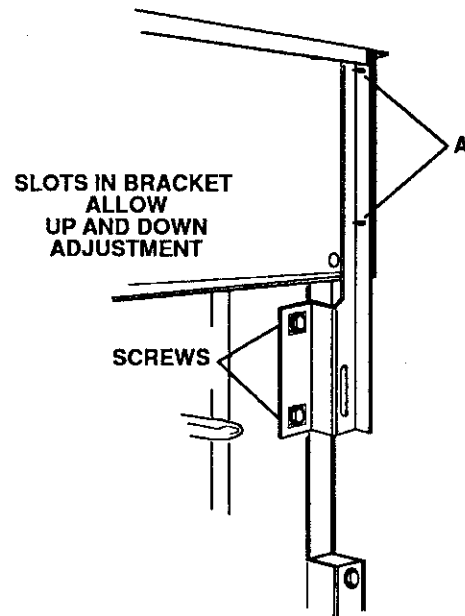


Fig. 5

IF THE RANGE BODYSIDES ARE NOT NOTCHED:

Remove the existing screw in the bodyside. Attach the bracket to the back of the bodyside, through the lower slot in the bracket, using screw removed earlier. See note below. See Fig. 6.

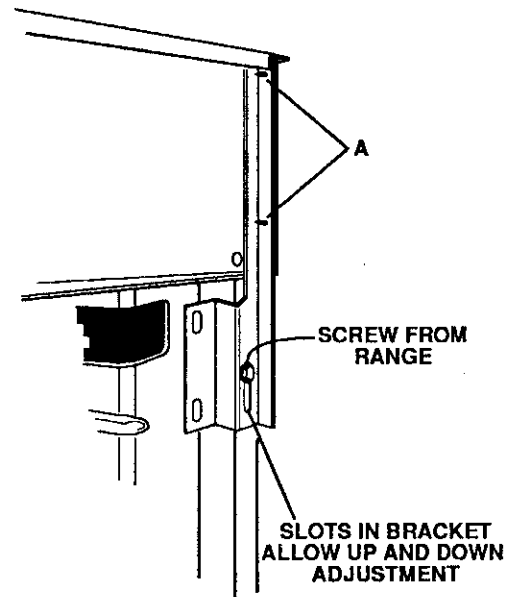


Fig. 6

NOTE: The front to back position of the backguard can be adjusted after it is installed by removing screws marked "A" one at a time and moving them in their slots.

SPECIFICATIONS SUBJECT TO CHANGE WITHOUT NOTICE

GENERAL ELECTRIC COMPANY
APPLIANCE PARK
LOUISVILLE, KENTUCKY 40225