


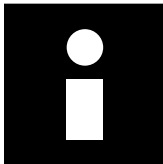





Air Conditioner

Owner's Manual

	<i>Important Safety Information</i>	3
	<i>Operating Instructions</i> <i>The Controls on Your Air Conditioner</i> <i>Care of Product</i>	4
	<i>Installation Instructions</i> <i>Important Electrical Safety</i> <i>Window Installation</i>	7
	<i>Helpful Information</i> <i>Things That Are Normal</i>	12
	<i>If Something Goes Wrong</i> <i>Before You Call for Service</i> <i>GE Service Numbers</i> <i>Warranty</i>	13

GE Answer Center[®]
800.626.2000

GE Appliances

Welcome

Welcome to the GE family. We're proud of our quality products and we believe in dependable service. You'll see it in this easy-to-use manual and you'll hear it in the friendly voices of our customer service department.

Best of all, you'll experience these values each time you enjoy the comfort of your air conditioner. That's important, because your new air conditioner will be part of your family for a long time.

Start Here!

*Before using
your air
conditioner*

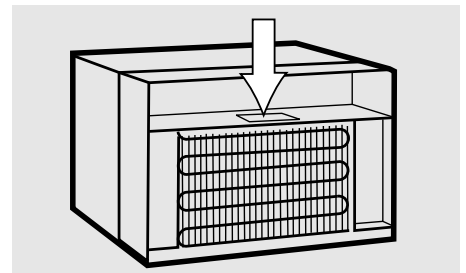
Staple your receipt to the inside back cover of this manual. You will need it to obtain service under warranty.

Write down the model and serial numbers here. They are on a label in the middle of the air conditioner below the air discharge area.

Model number

Serial number

Date of purchase



Need Help?

*Help us
help you*

800.626.2000

Before you call for service, there are a few things you can do to help us serve you better.

Read this manual. It contains instructions to help you use and maintain your air conditioner properly.

Save time and money. Check the section titled "If Something Goes Wrong" before calling. This section was designed to solve common problems that might occur.

If you do need service, you can relax knowing help is only a phone call away. Toll-free customer service numbers are included in the back of this manual. Or call the GE Answer Center® at 800.626.2000, 24 hours a day, 7 days a week.

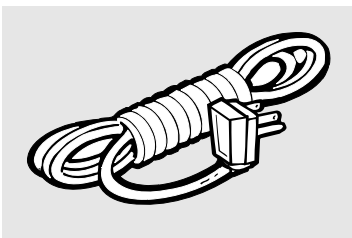
Important Safety Information



Read all safety information before using

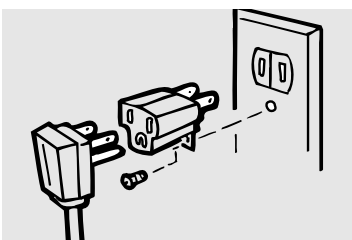
- This air conditioner must be properly installed in accordance with the Installation Instructions before it is used.
 - Repair or replace immediately all electric service cords that have become frayed or otherwise damaged.
 - Turn the mode control knob to **OFF** and unplug your air conditioner before making any repairs.
- NOTE:** We strongly recommend that any servicing be performed by a qualified individual.

Extension Cord



If an extension cord is required to reach the nearest wall receptacle, use only a UL Listed, 3-wire, grounded, 14 gauge, 15A, 125V appliance extension cord. For models with nameplate ratings greater than 12 amperes, do not use an extension cord.

Adapter Plug



This is a temporary method. UL-listed adapters are available at most hardware stores.

Because most 2-prong outlets are not grounded, we strongly advise against using an adapter plug. However, a temporary connection may be made where local codes permit and if the 2-prong wall outlet is properly grounded.

When you plug the adapter in, make sure the larger prong goes into the larger slot to provide the proper polarity for the power cord.

FOR PROPER GROUNDING:

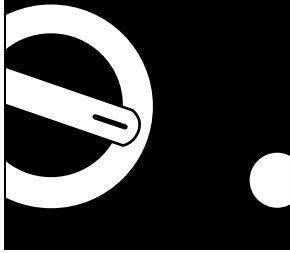
- 1 Screw the adapter to the outlet, using the outlet cover screw.**
- 2 Ground the outlet through the house wiring.**

When disconnecting the power cord from the adapter, hold the adapter close to the outlet while pulling the plug out. If this is not done, the grounding connector is likely to break with repeated use.

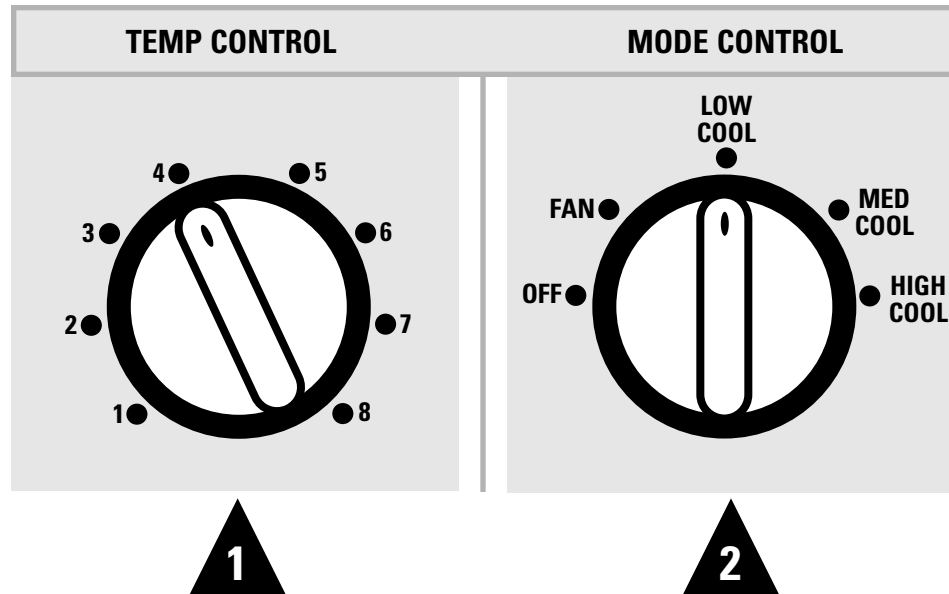
If the grounding connector breaks, **DO NOT USE** the air conditioner until a proper ground has again been made.

SAVE THESE INSTRUCTIONS

Operating Instructions



The controls on your air conditioner



1 *Temp Control*

The temp control is used to maintain the room temperature. The compressor will cycle on and off to keep the room at the same level of comfort. The higher the number selected, the cooler the indoor air will become.

The blower runs as long as the mode control is not on **OFF**.

2 *Mode Control*

HIGH COOL, **MED COOL** and **LOW COOL** provide cooling with different fan speeds.

FAN provides air circulation and filtering without cooling.

NOTE:

If you move the switch from a cool setting to OFF or to the FAN setting, wait at least 3 minutes before switching back to a cool setting.

Cooling Descriptions



FOR NORMAL COOLING

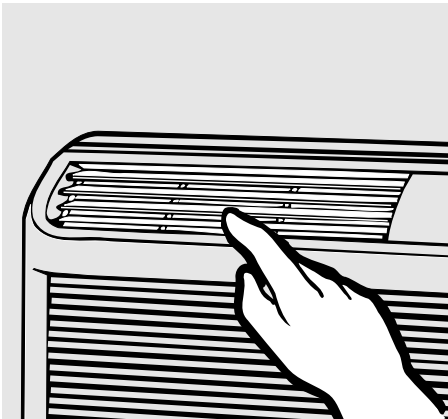
Select **MED COOL** with the thermostat at 4.

FOR MAXIMUM COOLING

Select **HIGH COOL** with the thermostat at 8.

FOR QUIETER & NIGHTTIME COOLING

Select **LOW COOL** with the thermostat at 4.



3

3 **Air Direction**

Fingertip pressure on the louvers adjusts the air direction up or straight ahead.



Operating Instructions

Care & Cleaning

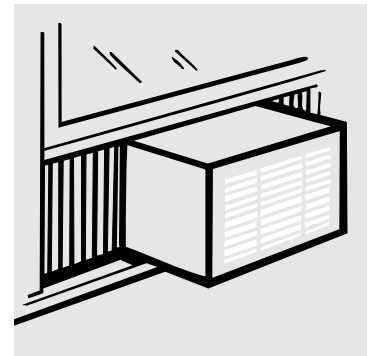
Grille and Case

Turn the air conditioner off and remove the plug from the wall outlet before cleaning.

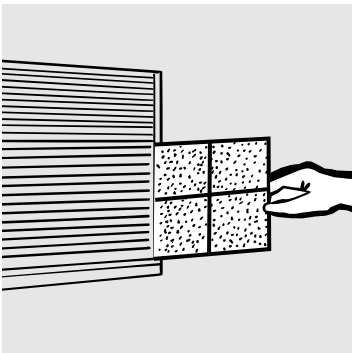
To clean, use water and a mild detergent. Do not use bleach or abrasives.

Outdoor Coils

The coils on the outdoor side of the air conditioner should be checked regularly. If they are clogged with dirt or soot they may be professionally steam cleaned, a service available through your GE service outlet.



Air Filter



The air filter behind the front grille should be checked and cleaned at least every 30 days or more often if necessary.

To remove: Gently pull the filter tab to the right and slide it out.

The filter can be cleaned with a vacuum cleaner to remove light dust or washed in warm, soapy water. Rinse and let the filter dry before replacing it. **DO NOT** expose the filter to heat or direct sunlight when drying.

⚠ CAUTION:

DO NOT operate the air conditioner without a filter because dirt and lint will clog it and reduce performance.

Installation Instructions

Important electrical safety—read carefully



Important Notes

Installer: Leave these instructions with the appliance.

Owner: Keep these instructions for future use.

- For personal safety, this air conditioner must be properly grounded.
- It is important to have the wall outlet and circuit checked by a qualified electrician if there is any doubt as to whether a proper ground exists.
- Follow National Electrical Code (NEC) or local codes and ordinances.

CAUTION:

- **Do not, under any circumstances, cut or remove the third (ground) prong from the power cord.**
- **Do not change the plug on the power cord of this air conditioner.**
- **Aluminum house wiring may present special problems—consult a qualified electrician.**

Electrical Requirements



Parallel
115V., 15 Amp.

The **115-volt models** require a 115/120- volt a.c., 60 Hz grounded outlet protected with a 15-amp time delay fuse or circuit breaker.

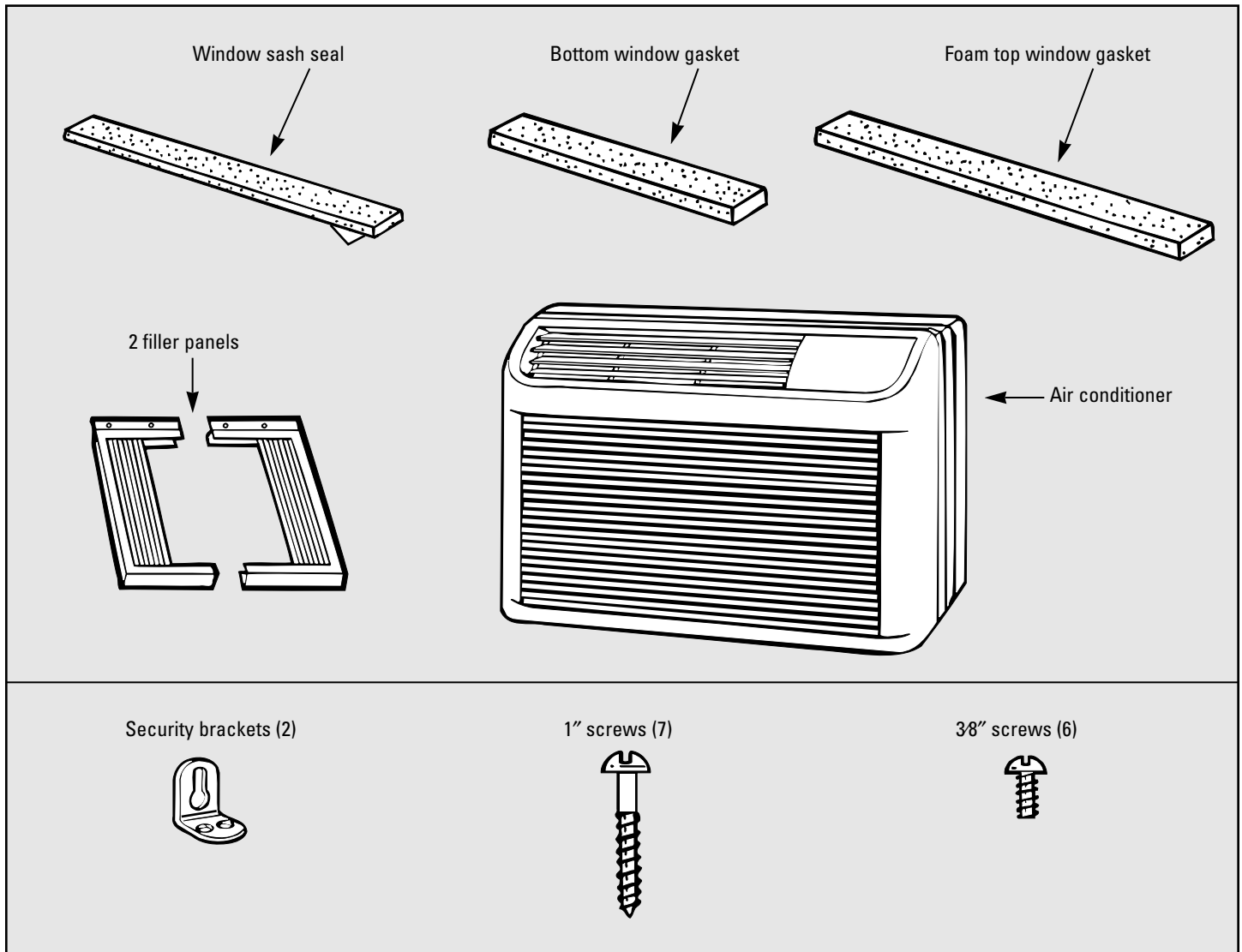
The 3-prong grounding plug minimizes the possibility of electric shock hazard. If the wall outlet you plan to use is only a 2-prong outlet, it is your responsibility to have it replaced with a properly grounded 3-prong wall outlet.



Installation Instructions

Before you begin

Parts Included



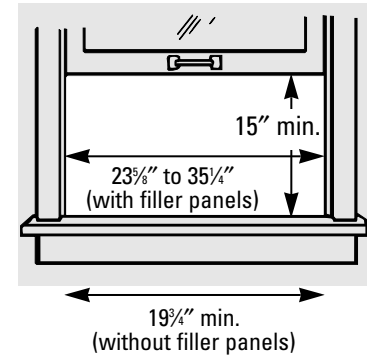
Tools Needed

- Phillips screwdriver
- Ruler or tape measure
- Knife or scissors



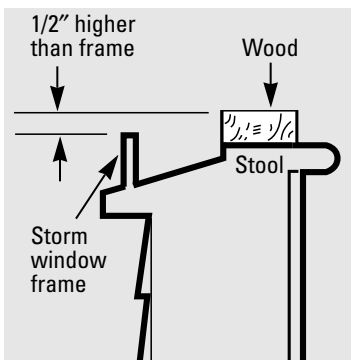
Window Requirements

- These instructions are for a standard double-hung window. You will need to modify them for other types of windows.
- The air conditioner can be installed without the filler panels if needed to fit in a narrow opening. See the window opening dimensions to the right.
- All supporting parts should be secured to firm wood, masonry or metal.
- The electrical outlet must be within reach of the power cord. Do not use an extension cord.



Window opening dimensions are for a standard double-hung window.

Storm Window Requirements



A storm window frame will not allow the air conditioner to tilt towards the outside and will keep it from draining properly. To adjust for this, attach a piece of wood to the stool.

WOOD PIECES:

WIDTH: 2"

LENGTH: Long enough to fit inside the window frame.

THICKNESS: To determine the thickness, place a piece of wood on the stool to make it 1/2" higher than the top of the storm window frame.

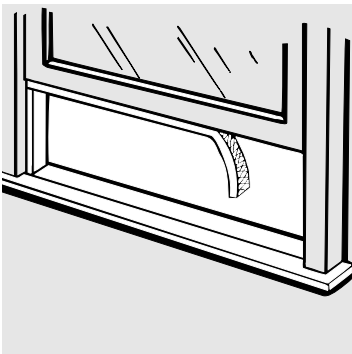
Attach securely with nails or screws.



Installation Instructions

Read completely then follow step-by-step

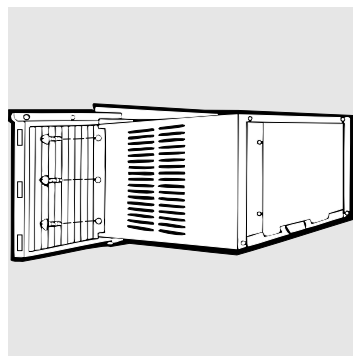
Attach the Window Sash Seal



- 1 Cut the window sash seal to the proper length.
- 2 Peel off the backing and attach the seal to the underside of the window sash.

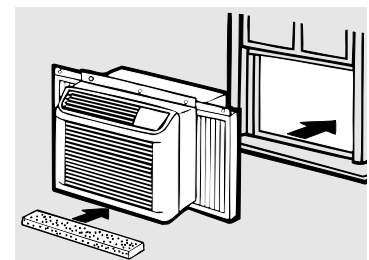
Install the Filler Panels

- 1 Insert the right and left hand filler panels into the top and bottom rails.
- 2 Secure them with six 3/8" screws, three on each side.



Install the Air Conditioner in the Window

- 1 Open the window and place the air conditioner on the stool. Balance it and close the window securely behind the top rail. The unit should be leveled or slightly tilted to the outside.
- 2 Slide the filler panels out on both sides into the sides of the window jamb.

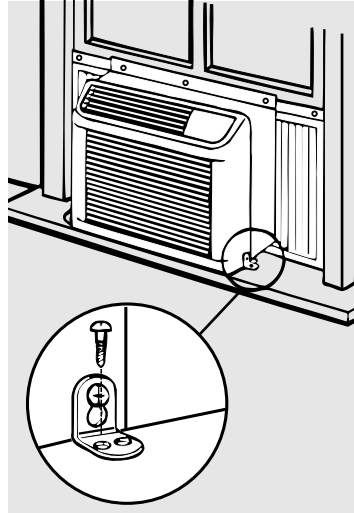


- 3 Insert the bottom window gasket into the space between the window stool and the bottom of the air conditioner to seal outside air.

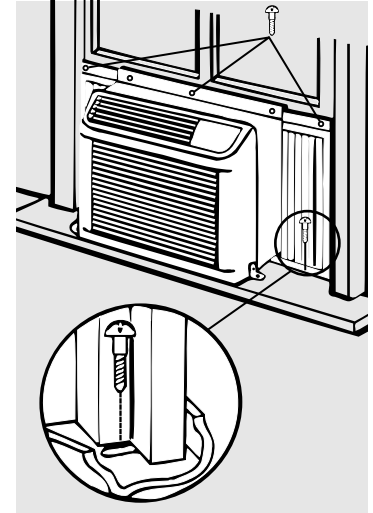


Secure the Air Conditioner

- 1 Loosen the screws on both sides of the case. Hang the security brackets on and attach them to the case using the same screws.
- 3 Secure the top rail of the air conditioner and the top of the filler panels to the sash using three 1" screws.



- 2 Secure the brackets to the stool on both sides using 1" screws.



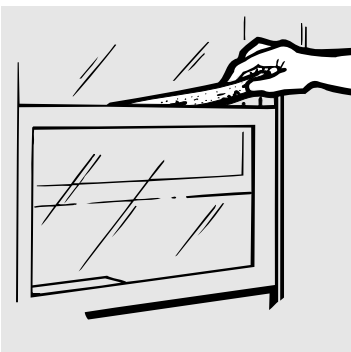
- 3 Using two 1" screws, attach the filler panels to the sill, one on each side. Do not overtighten the screws.

NOTE:

The security brackets and top rail screws are used to keep the window from being raised from the outside.

Install the Window Gasket





- 1 Cut the foam top window gasket to the window width.
- 2 Stuff the foam between the glass and the window to prevent air and insects from getting into the room.
- 3 If no filler panels are used, you need to seal between the window and the air conditioner with filler.



Helpful Information



Things that are normal

Noise	Explanation
PING! 	You may hear a pinging noise caused by water being picked up and thrown against the condenser on rainy days or when the humidity is high. This design feature helps remove moisture and improve efficiency.
"CLICK" 	You may hear the thermostat click when the compressor cycles on and off.
DRIP 	Water will collect in the base pan during high humidity or on rainy days. The water may overflow and drip from the outdoor side of the unit.
WHIR! 	The fan may run even when the compressor is not on.

If Something Goes Wrong

Before you call for service



Problem	Possible Causes	What to Do
Air Conditioner Doesn't Start	The air conditioner is unplugged	<ul style="list-style-type: none">• Make sure the air conditioner plug is pushed completely into the outlet.
	The fuse is blown/circuit breaker is tripped	<ul style="list-style-type: none">• Check the house fuse/circuit breaker box and replace fuse or reset the breaker.
	Power failure	<ul style="list-style-type: none">• Wait 3 minutes to restart the air conditioner.
Air Conditioner Does Not Cool as it Should	Air flow is restricted	<ul style="list-style-type: none">• Make sure there are no curtains, blinds or furniture blocking the front of the air conditioner.
	The thermostat control may not be set high enough	<ul style="list-style-type: none">• Turn the knob to a higher number. The highest setting provides maximum cooling.
	The air filter is dirty	<ul style="list-style-type: none">• Clean the filter at least every 30 days. See the Care and Cleaning section.
	The room may have been hot	<ul style="list-style-type: none">• When the air conditioner is first turned on you need to allow time for the room to cool down.
	Cold air is escaping	<ul style="list-style-type: none">• Check for open furnace floor registers and cold air returns.
	Cooling coils have iced up	<ul style="list-style-type: none">• See Freezing Up below.
Air Conditioner Freezing Up	Ice blocks the air flow and stops the air conditioner from cooling the room	<ul style="list-style-type: none">• Set the mode control at FAN or HIGH COOL with the temp at 1 or 2.

GE Service Numbers



We'll be there!

GE Answer Center®

800.626.2000

Whatever your question about any GE major appliance, GE Answer Center® information service is available to help. Your call—and your question—will be answered promptly and courteously.

And you can call any time. GE Answer Center® service is open 24 hours a day, 7 days a week.

In-Home Repair Service

**800-GE-CARES
(800-432-2737)**

A GE consumer service professional will provide expert repair service, scheduled at a time that's convenient for you. Many GE Consumer Service company-operated locations offer you service today or tomorrow, or at your convenience (7:00 a.m. to 7:00 p.m. weekdays, 9:00 a.m. to 2:00 p.m. Saturdays).

Our factory-trained technicians know your appliance inside and out—so most repairs can be handled in just one visit.

For Customers With Special Needs

800.626.2000

Upon request, GE will provide Braille controls for a variety of GE appliances, and a brochure to assist in planning a barrier-free kitchen for persons with limited mobility. To obtain these items, free of charge, call 800.626.2000.

Consumers with impaired hearing or speech who have access to a TDD or a conventional teletypewriter may call 800-TDD-GEAC (800-833-4322) to request information or service.



Service Contracts

800-626-2224

You can have the secure feeling that GE Consumer Service will still be there after your warranty expires. Purchase a GE contract while your warranty is still in effect and you'll receive a substantial discount. With a multiple-year contract, you're assured of future service at today's prices.

Parts and Accessories

800-626-2002

Individuals qualified to service their own appliances can have parts or accessories sent directly to their home. The GE parts system provides access to over 47,000 parts...and all GE Genuine Renewal Parts are fully warranted. VISA, MasterCard and Discover cards are accepted.

Care and cleaning instructions contained in this manual cover procedures to be performed by any user. Other servicing generally should be referred to qualified service personnel. Caution must be exercised, since improper servicing may cause unsafe operation.

Further Service

We're proud of our service and want you to be pleased. If for some reason you are not happy with the service you receive, here are three steps to follow for further help.

First, contact the people who serviced your appliance. Explain why you are not pleased. In most cases, this will solve the problem.

Next, if you are still not pleased, write all the details—including your phone number—to:

Manager, Consumer Relations
GE Appliances, Appliance Park
Louisville, KY 40225

Finally, if your problem is still not resolved, write:

Major Appliance Consumer
Action Program
20 North Wacker Drive
Chicago, IL 60606

AIR CONDITIONER WARRANTY

Staple sales slip or cancelled check here. Proof of original purchase date is needed to obtain service under warranty.

What is Covered

FULL ONE-YEAR WARRANTY

For one year from date of original purchase, we will provide, free of charge, parts and service labor in your home to repair or replace *any part of the room air conditioner* that fails because of a manufacturing defect.

FULL FIVE-YEAR WARRANTY

For five years from the date of original purchase, we will provide, free of charge, parts and service labor in your home to repair or replace *any part of the sealed refrigerating system* (the compressor, condenser, evaporator and all connecting tubing) that fails because of a manufacturing defect.

This warranty is extended to the original purchaser and any succeeding owner for products purchased for use in the 48 mainland states, Hawaii and Washington, D.C. In Alaska the warranty is the same except that it is LIMITED because you must pay to ship the product to the service shop or for the service technician's travel costs to your home.

All warranty service will be provided by our Factory Service Centers or by our authorized Customer Care® servicers during normal working hours.

Should your appliance need service, during warranty period or beyond, call 800-GE-CARES (800-432-2737).

What is Not Covered

- Service trips to your home to teach you how to use the product.

Read your Owner's Manual. If you then have any questions about operating the product, please contact your dealer or our Consumer Affairs office at the address below, or call, toll free:

GE Answer Center®
800.626.2000
consumer information service

- Improper installation.

If you have an installation problem, or if the air conditioner is of improper cooling capacity for the intended use, contact your dealer or installer. You are responsible for providing adequate electrical connecting facilities.

- Replacement of house fuses or resetting of circuit breakers.
- In commercial locations labor necessary to move the unit to a location where it is accessible for service by an individual technician.
- Failure of the product resulting from modifications to the product or due to unreasonable use including failure to provide reasonable and necessary maintenance.
- Failure due to corrosion on models not corrosion-protected.
- Damage to product caused by improper power supply voltage, accident, fire, floods or acts of God.

WARRANTOR IS NOT RESPONSIBLE FOR CONSEQUENTIAL DAMAGES.

Some states do not allow the exclusion or limitation of incidental or consequential damages, so the above limitation or exclusion may not apply to you. This warranty gives you specific legal rights, and you may also have other rights which vary from state to state. To know what your legal rights are in your state, consult your local or state consumer affairs office or your state's Attorney General.

Warrantor: General Electric Company

**If further help is needed concerning this warranty, write:
Manager—Consumer Affairs, GE Appliances, Louisville, KY 40225**