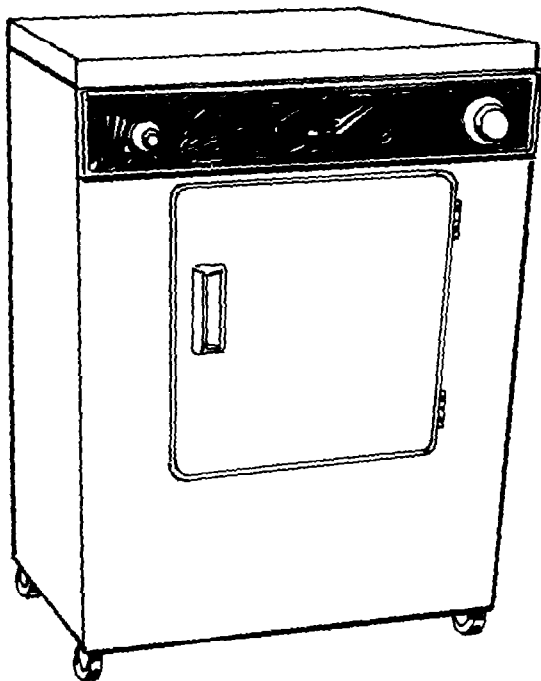
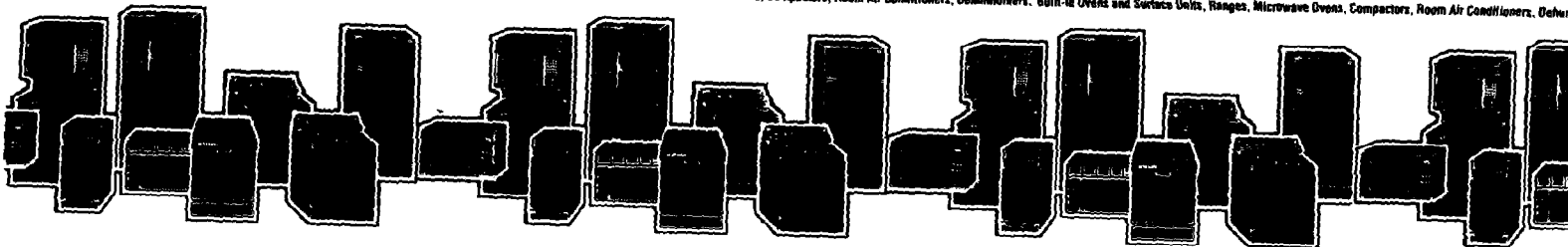


Installation Instructions



**CONVERTIBLE COMPACT
DRYER 120 VOLT**

Washers, Clothes Dryers, Freezers, Refrigerators-Freezers, Ice Makers, Dishwashers, Built-In Ovens and Surface Units, Ranges, Microwave Ovens, Compactors, Room Air Conditioners, Dehumidifiers, Built-In Ovens and Surface Units, Ranges, Microwave Ovens, Compactors, Room Air Conditioners, Dehum



Before you start...

Check location where dryer will be installed. Proper installation is your responsibility. Make sure you have everything necessary for correct installation.

Protection from weather: Proper operation of the dryer requires temperatures above 45° F.

Location: must be large enough to fully open dryer door. See Panel B for recessed area requirements and product dimensions.

Important: Observe all governing codes and ordinances.

Check code requirements:

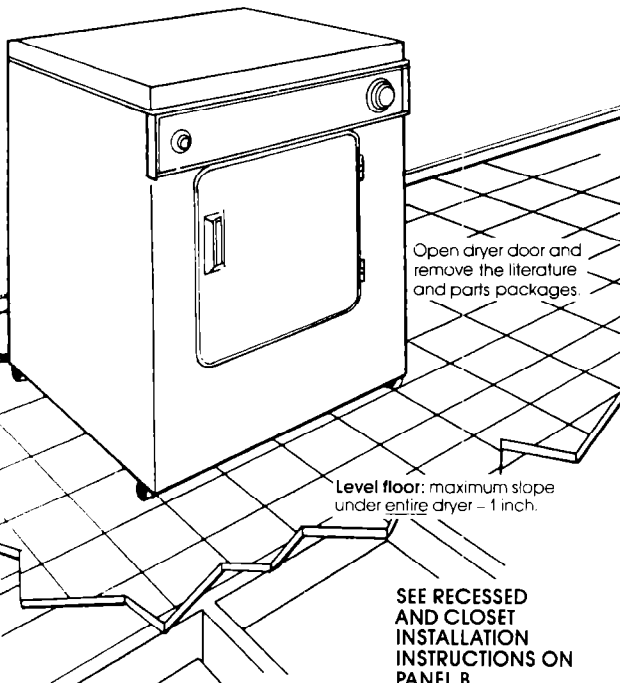
Some codes do not permit or limit installation of clothes dryers in garages, closets, mobile homes, and sleeping quarters. Contact your local building inspector.

Grounded electrical outlet is required. See Electrical requirements.

Dryer may be exhausted from the rear. See Exhaust requirements, Panel B.

Assistance will be needed during certain steps to move dryer.

Support: Floor must be sturdy enough to support dryer weight of 92 pounds.



WARNING:

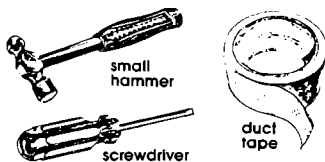
Potential Fire Hazard

- It is the personal responsibility of the customer to ensure that gasoline, paint thinners and other flammable materials are not used or stored near dryer. Fumes from these materials could result in fire or explosion.
- **Never** install dryer up against draperies or curtains. Keep any and all items from falling or collecting behind the dryer.
- Replace all access or service panels before operating the dryer.

For Your Safety:

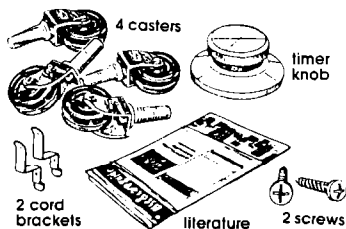
- Do not exhaust dryer into a chimney, furnace cold air duct, attic or crawl space, or any other duct used for venting. Accumulated lint could become a fire hazard or moisture could cause damage.
- The exhaust system should be cleaned at least once every 2 years.
- Flexible duct should never be installed concealed in wall, ceiling or floor.

Tools needed for installation



Parts supplied for installation

Remove parts from packages. Check that all parts were included.



Note: For permanent installations, leveling legs, Part No. 233550, are available from your Whirlpool dealer. Four legs are required. The legs should extend about 1" below the bottom of the dryer.

Electrical requirements

A three-wire, single phase, 120 volt, 60 Hz, AC only 15 or 20 ampere, fused electrical supply is required. (Time-delay fuse or circuit breaker is recommended.) If your home has a circuit wired and fused for 20 amperes, this is preferred. If you are installing a new circuit, one wired and fused for 20 amperes is

recommended. It is also recommended that a separate circuit serving only this appliance be provided.

WARNING: AN EXTENSION CORD SHOULD NOT BE USED WITH THIS APPLIANCE. SUCH USE MAY RESULT IN A FIRE, ELECTRICAL SHOCK, OR OTHER PERSONAL INJURY.

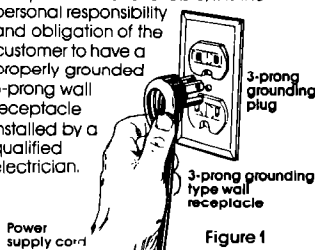
Recommended grounding method

DANGER: Improper connection of the equipment grounding conductor can result in the risk of electrical shock. Check with a qualified electrician or serviceman if you are in doubt as to whether the dryer is properly grounded.

Do Not, modify the plug provided with the appliance. If the plug will not fit the outlet, have a proper outlet installed by a qualified electrician.

Electrical ground is required on this appliance.

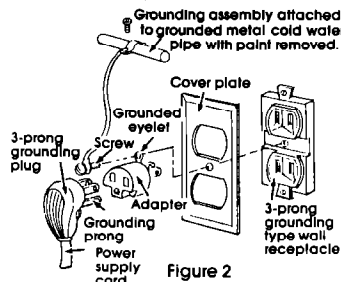
For your personal safety, this appliance must be grounded. This dryer is equipped with a power supply cord having a 3-prong grounding plug, to minimize possible shock hazard, the cord must be plugged into a mating 3-prong grounding type wall receptacle, grounded in accordance with the National Electrical Code, ANSI/NFPA 70-1987 and local codes and ordinances. See Figure 1. If a mating wall receptacle is not available, it is the personal responsibility and obligation of the customer to have a properly grounded 3-prong wall receptacle installed by a qualified electrician.



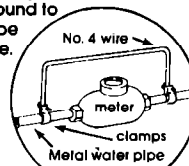
Alternate grounding method

DO NOT, UNDER ANY CIRCUMSTANCES, REMOVE THE POWER SUPPLY CORD GROUNDING PRONG.

If changing and properly grounding the wall receptacle is impossible and where local codes permit (consult your electrical inspector), a temporary adapter may be plugged into the existing 2-prong wall receptacle to mate with the 3-prong power supply cord. THIS, HOWEVER, IS NOT RECOMMENDED.

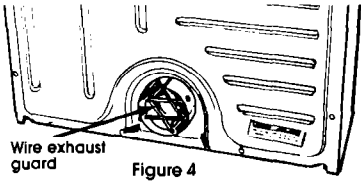


If this is done, you must connect a separate copper grounding wire (No. 14 minimum) to a grounded cold water pipe* by means of a clamp and then to the external ground connector screw. Do not ground to a gas supply pipe or hot water pipe. Do not connect to electrical supply until appliance is permanently grounded. See Figure 3.



*Grounded cold water pipe must have metal continuity to electrical ground and not be interrupted by plastic, rubber or other electrically insulating connectors such as hoses, fittings, washers or gaskets (including water meter or pump). Any electrical insulating connector should be jumped as shown in Figure 3 with a length of No. 4 wire securely clamped to bare metal at both ends.

Exhaust requirements



WARNING: Potential Fire Hazard

- **Metal**, flexible duct may be used. Do Not use non-metal flexible duct since it is a potential fire hazard.
- **Four-Inch Metal Exhaust Duct** is required.
- Before installing the exhaust system or exhaust deflector, make sure to remove the wire exhaust guard that is located at the exhaust outlet. See Figure 4.

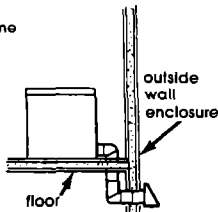
Use Duct Tape to seal all joints.



Exhausting the dryer outside is recommended. A closet installation **must** be exhausted outside. Recessed installation that is not exhausted outside must use Exhaust Deflector Kit Part No. 346001 available from your Whirlpool dealer. See Recessed and Closet Installation instructions on Panel B for adequate unobstructed air opening requirements.

Mobile home installation

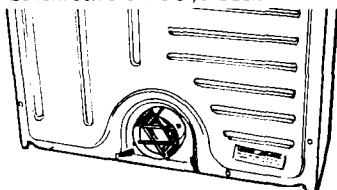
Figure 5



Mobile Home Exhaust Requirements: The dryer **must** have an outside exhaust. If the dryer is exhausted through the floor and the area under the mobile home is enclosed, the exhaust system **must** terminate outside the enclosed area. Extension beyond the enclosure will prevent lint and moisture buildup under the mobile home.

If the dryer is installed in a confined area such as a bedroom, bathroom, or closet, it must be exhausted to the outside, and provisions must be made for enough air for combustion and ventilation. (Check governing codes and ordinances.) Also, refer to the Recessed and Closet Installation instructions.

The **Exhaust Outlet** is located at the bottom center of the dryer back.



The **Exhaust Duct** can be routed up, down, left, right or straight out the back of the dryer. Detailed space requirements can be found in Recessed and Closet Installation instructions, Panel B, and on the label on the back panel of the dryer.

Metal, Flexible Duct must be fully extended and supported when the dryer is in its final position. **DO NOT KINK OR CRUSH THE DUCT.**

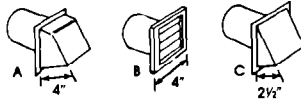
An **Exhaust Hood** should cap the exhaust duct to prevent exhausted air from returning into dryer. The outlet of the hood must be at least 12 inches from the ground or any object that may be in the path of the exhaust.

A **2½-inch outlet Exhaust Hood** may be used only with short systems. (This outlet creates greater back pressure than other hood types.)

PANEL B

Exhaust Hoods with magnetic latches should **not** be used.

Maximum Length of the exhaust system depends upon the type of duct used, number of elbows and type of exhaust hood. The maximum length for both rigid and flexible duct is shown in chart.



NUMBER OF 90° TURNS	EXHAUST HOOD TYPE			
	A	B	C	
0	43 FT.	41 FT.	36 FT.	MAXIMUM LENGTH OF 4" DIA. RIGID METAL DUCT.
1	33 FT.	31 FT.	26 FT.	
2	23 FT.	21 FT.	16 FT.	
0	30 FT.	28 FT.	24 FT.	MAXIMUM LENGTH OF 4" DIA. FLEXIBLE METAL DUCT.
1	24 FT.	23 FT.	18 FT.	
2	16 FT.	15 FT.	10 FT.	

WARNING: Potential Fire Hazard

Exhaust Systems longer than specified will:

- Accumulate lint.
- Shorten the life of the dryer.
- Reduce the performance – cause longer drying times and increase energy usage.

For **Exhaust Systems** not covered by the exhaust length chart, see Whirlpool Service Manual, **Exhausting Whirlpool Dryers**, Part No. 603197, available from your Whirlpool parts distributor. The back pressure in any exhaust system used must not exceed 0.3 inches of water column, measured with an incline manometer, at the point that the exhaust system connects to the dryer.

For permanent installations, a stationary exhaust system is required.

Recessed and Closet Installation

This dryer may be installed in a recessed area or closet.

The installation spacing is in inches and is minimum allowable.

Additional spacing should be considered for ease of installation, servicing, and compliance with local codes and requirements.

If a closet door is installed, the minimum, unobstructed air openings in top and bottom are required. Louvered doors with equivalent air openings are acceptable. Unobstructed air openings are required for laundry equipment when the door is installed.

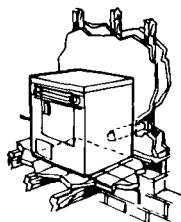
WARNING for closet installation: To reduce the risk of fire, this appliance **MUST BE EXHAUSTED OUTDOORS.**

Companion appliance spacing should be considered. Detailed space requirements are located on the label on back panel of the dryer.

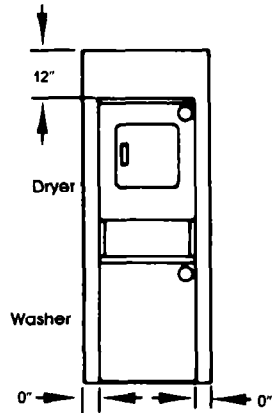
This compact dryer may be installed with the compact washer companion appliance using one of the Stack Stand Kits, Part Nos. 695570, 3390175 (white) or 3390196 (almond). The electric dryer may also use Wall Mount Kit, Part No. 345994. Do Not use in mobile home.

Other installations must use the minimum dimensions indicated.

TO PREVENT LARGE AMOUNTS OF LINT AND MOISTURE FROM ACCUMULATING AND TO MAINTAIN EFFICIENCY, THIS DRYER MUST BE EXHAUSTED OUTDOORS.



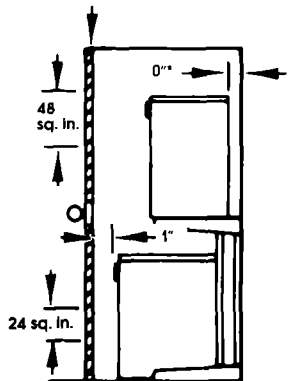
Recessed non-exhausted installation must use only the rear exhaust position, and Exhaust Deflector Kit, Part No. 346001 is required.



Recessed Front View

Minimum installation spacing

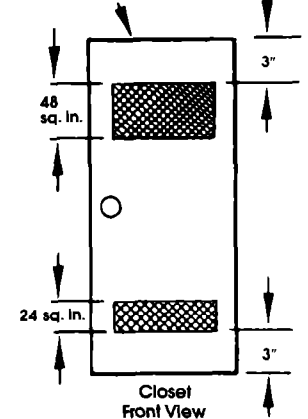
Closet Door



*3" are provided when installed on Stack Stand.

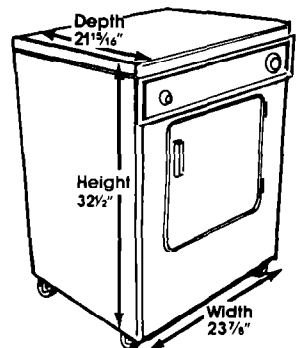
Closet Side view

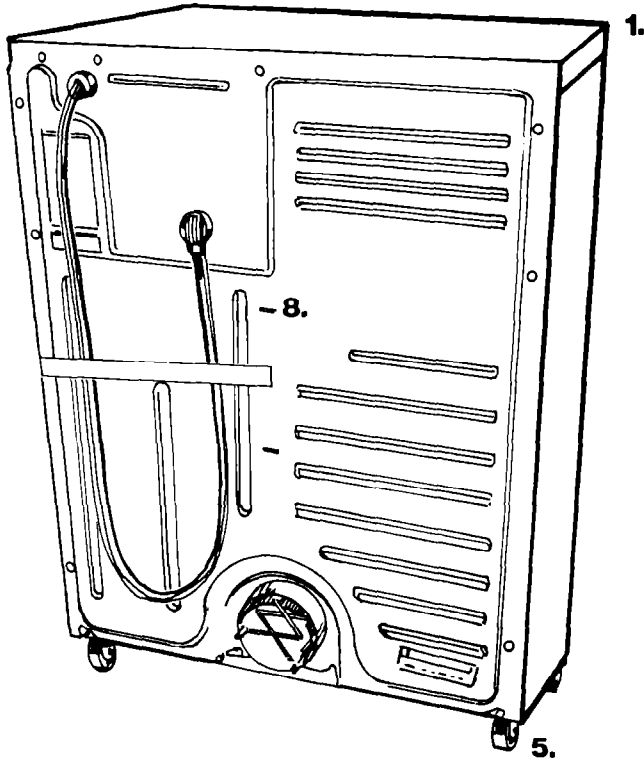
Closet Door



Closet Installation **must** be exhausted.

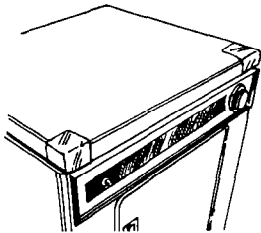
Product dimensions



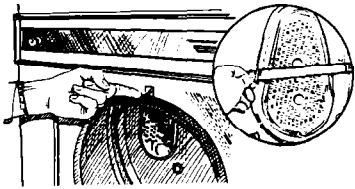


Numbers correspond to steps.

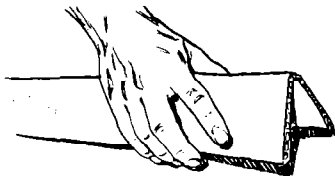
Now start...



1. Take tape off of front corners of dryer.



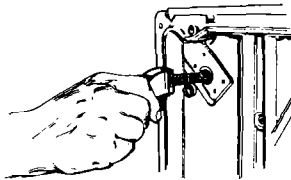
2. Remove the tape that holds the drum to the cabinet. (Some dryer drums are not taped for shipping.) Move the drum by hand to make certain all tape has been removed. Wipe the interior of the drum thoroughly with a damp cloth before using the dryer. Remove tape from lint screen.



3. Take two of the cardboard corners from the carton and place them on the floor to right side of the dryer.

PANEL C

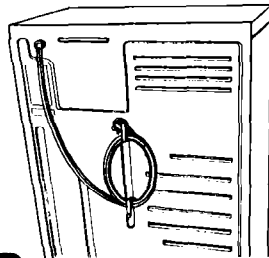
4. Stand in front of dryer. With assistance from another person, firmly grasp the body of the dryer and gently lay it right side down on the cardboard corners.



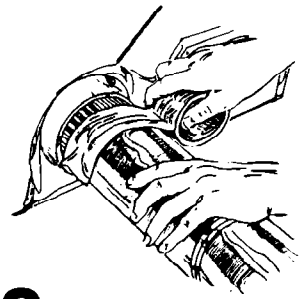
5. Screw casters into holes at corners of dryer.

6. With assistance, stand the dryer up.
CAUTION: Be careful that dryer does not roll out on casters.

7. Move the dryer to the location where it will be used.



8. Remove the tape from the power supply cord and the rear panel. Insert cord brackets into slotted holes in rear panel. Secure cord brackets to rear panel using the two screws provided. The power supply cord may be stored around the brackets when the dryer is not in use.



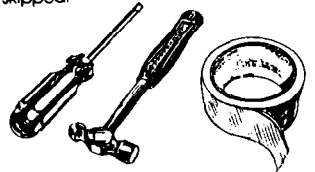
9. For non-exhausted installation, use Exhaust Deflector LCK4000.

To permanently exhaust the dryer, see Exhaust requirements. **Remove the wire exhaust guard** located at the exhaust outlet. Connect exhaust duct to exhaust hood. Use duct tape to seal all joints in the exhaust duct. Use caulking compound to seal exterior wall opening around exhaust hood.



10. Carefully push timer knob into place on the timer shaft at the front of the dryer.

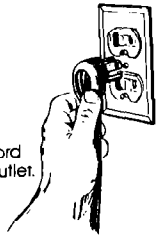
11. Check that all parts are now installed. See parts list, Panel A. If there is an extra part, go back through the steps to see which step was skipped.



12. Check that you have all the tools that you started with.

13.

Plug the electrical cord into the grounded outlet.



14.

Take a few minutes to read the Use and Care Guide to fully understand your new dryer. Now start the dryer and allow it to complete a cycle to make sure it is working properly. When cycle is complete, unplug the power supply cord and wrap it around the brackets for storage.

You have just successfully installed your new Whirlpool convertible compact dryer. To get the most efficient use from your new dryer, read your Whirlpool Use and Care Guide.

Congratulations!

Keep installation instructions nearby where you can refer to them. The instructions will make reinstalling your Whirlpool dryer in another home as easy as the first installation.

When moving the dryer...

- Disconnect electrical cord and wrap securely around cord brackets.
- Tape the drum to the front panel.
- Tape the dryer door and the lint screen.
- Make sure casters are secure in dryer base or screw leveling legs all the way in.
- Before installing your electric compact dryer in your new home, check with a licensed electrician to confirm that the supply voltage matches the voltage specified on the nameplate.

Use caution when moving this appliance to prevent damage to floor coverings. Before moving, slide dryer onto cardboard or hardboard to prevent damage.

If the dryer does not operate properly...

Check to be sure that:

- A. Electric supply is connected.
- B. Fuse is intact and tight.
- C. Door is closed.
- D. Controls are set in a running or "on" position.
- E. Start button has been pushed firmly.

During the normal business hours, the Whirlpool COOL-LINE® Service will answer any questions about operating and maintaining your dryer not covered in your Operating Instructions. The Whirlpool COOL-LINE® Service number is (800) 253-1301. Dial just as you normally dial long distance – the call is free.

