

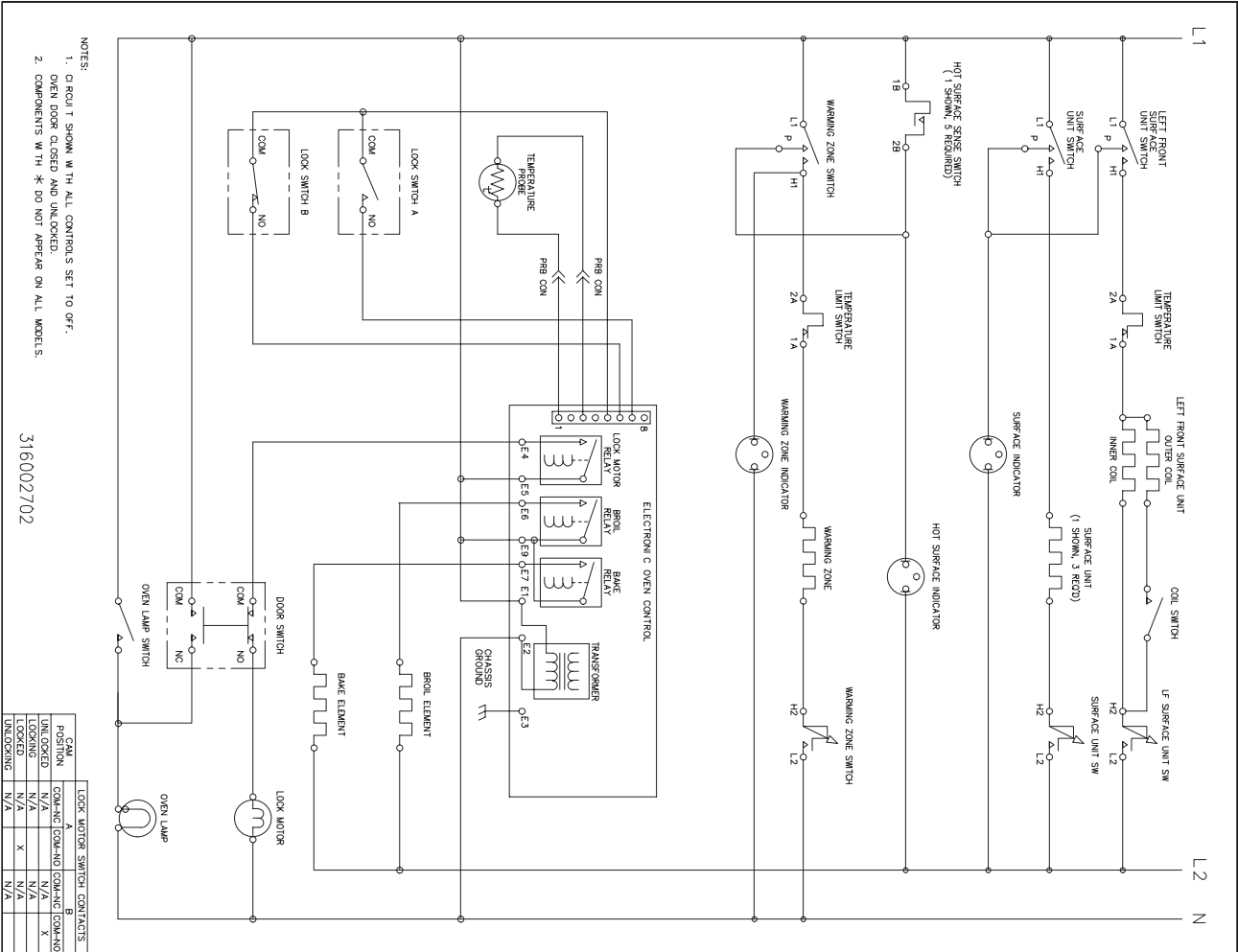
WARNING
DISCONNECT POWER, BEFORE SERVICING UNIT.

TRACER WIRE - WIRE COLOR NOTED FIRST, STRIPE NEXT. EXAMPLE: GREEN WIRE WITH YELLOW STRIPE.

NOTE: THESE COMPONENTS MAY NOT APPEAR ON ALL MODELS

WIRE	TEMP °C	UL STYLE
1	20	105
2	16	105
3	14	105
4	20	150
5	16	150
6	14	150
7	12	150
8	18	150

316002702



NOTES:

1. O RIG 1 SHOWN WITH ALL CONTROLS SET TO OFF.
2. COMPONENTS WITH * DO NOT APPEAR ON ALL MODELS.

316002702

LOCK MOTOR SWITCH CONTACTS	COM-NC	COM-NO	COM-NO	COM-NO
LOCKING	N/A	N/A	N/A	X
UNLOCKING	N/A	N/A	N/A	X
UNLOCKING	N/A	N/A	N/A	N/A