

Factory Parts Catalog

Product No.	E36PC75GSS
Market	North America
Color	stainless/glass
Volts	120
Owner's Guide	316495008
Installation Instructions	316495008
Wiring Diagram	5995495248



Electrolux Major Appliances
North & Latin America
P.O. BOX 212378
AUGUSTA, GA 30917

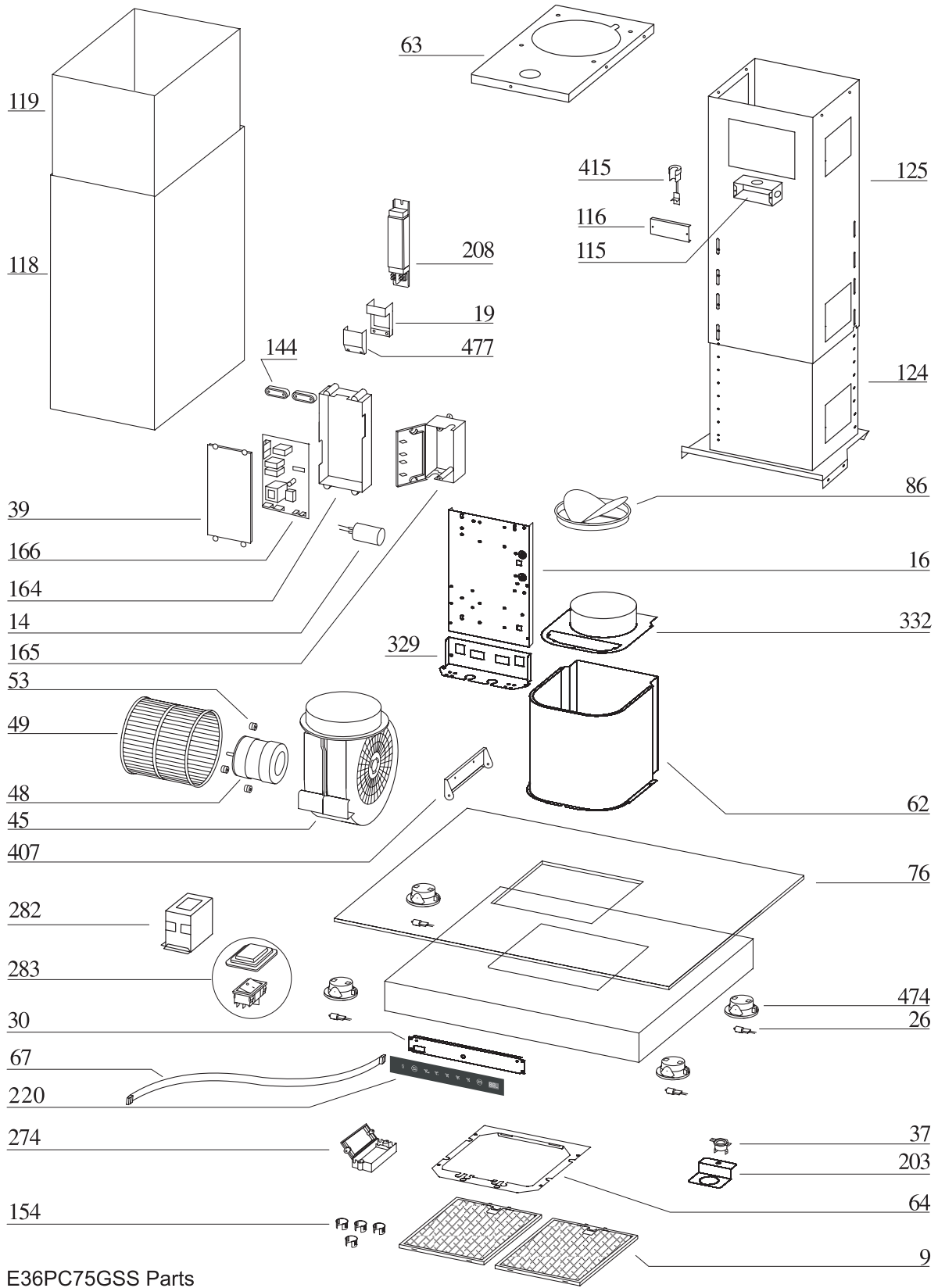
Publication No.
5995495248
07/07/19
(EN/SERVICE/KC)
099

RANGE HOOD

Model No.
E36PC75G

Copyright © 2007 Electrolux Home Products, Inc.
All rights reserved.

REPLACEMENT PARTS



E36PC75GSS Parts

REPLACEMENT PARTS

POS. NO	PART NO.	DESCRIPTION
9 #	530445733	Filter, grease, aluminum
14 #	5304454900	Capacitor, motor
16	5304455010	Plate, mounting, electric system
19	5304454950	Bracket, transformer, protector
26	5304454951	Lamp, halogen, 20 W, 12 V
30	5304462833	Control Box, switch board
37 #	530445734	Thermostat, Heat Sentry
39	5304454954	Cover, electrical box
45	5304454955	Housing, blower fan, scroll
48 #	5304462834	Motor, blower
49 #	5304455031	Blower Wheel, fan
53	5304462835	Washer, motor mount, rubber
62	5304455006	Housing, blower assembly
63	5304462836	Bracket, support frame, upper
64	5304462837	Panel, filter support
67 #	5304462838	Wiring Harness, control panel
76 #	5304462839	Canopy, hood, glass
86 #	5304454974	Discharge Collar, damper
115	5304455023	Wiring Box
116	5304455018	Cover, wiring box
118	5304462844	Chimney, duct cover, lower flue
119	5304455020	Chimney, duct cover, upper flue
124	5304455021	Frame, support, lower
125	5304455022	Frame, support, upper
144	5304454982	Clamp, wiring
154	5304454988	Clamp, power cord
164	5304455947	Electrical Box
165	5304454989	Electrical Box, with cover
166#	5304462841	Control Board, printed circuit
203	5304462845	Bracket, thermostat
208#	5304455011	Transformer
220#	5304462840	Switch Assembly, controls
274	5304455009	Fuse box
282	5304462843	Support, main switch
283#	5304462842	Switch Assembly, main
329	5304455008	Bracket, support plate
332	5304455007	Cover, blower, duct connector
407	5304454997	Bracket, blower support
415	5304455017	Clamp, wiring
474#	5304454999	Housing, lamp receptacle
477	5304455950	Cover, terminal, transformer
*	5304462846	Installation Kit, mtg. hardware
* #	5304455332	Fuse, 5 x 20 mm, 4 Amp, 125 V
* #	5304455333	Fuse Holder

WIRING DIAGRAM

