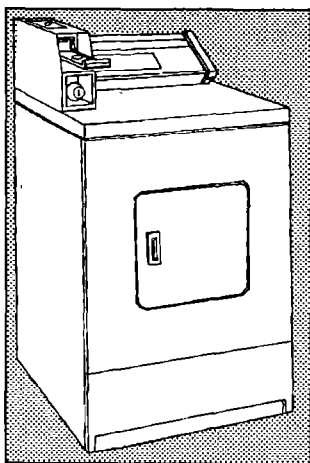


Installation Instructions



Whirlpool®
CORPORATION
COMMERCIAL
LAUNDRY
PRODUCTS
**Commercial
Dryer**

Electric

230-Volt 50-Hz

Part No. 3402396

**IMPORTANT:
Read and save
these instructions.**

Important:

Read these instructions before you start to install the dryer.

Save Installation Instructions for local electrical inspector's use.

Keep Installation Instructions for future reference.

Before you start...

Check location where dryer will be used. Proper installation is your responsibility. The dryer must not be installed or stored in an area where it will be exposed to water and/or weather. Make sure you have everything necessary for correct installation.

Each dryer is equipped with a timer, selector switch and indicator lights. The timer is set to provide 45 minutes (4 pins) of drying time when activated by the coin slide. Timer cams for 30-minute (6 pins) and 60-minute (3 pins) drying times are supplied with the unit in the parts bag. See Page 3 for timer cam change instructions.

⚠ WARNING

Electrical Shock Hazard

It is the customer's responsibility:

- To contact a licensed electrician.
- To have dryer installed according to all national and local governing codes and ordinances.
- To replace all access panels before operating the dryer.

Failure to do so could result in death or serious injury.

Fire Hazard

- Do Not store gasoline, paint thinners, or other flammable materials near dryer. Fumes from such materials may result in fire or explosion.
- Never install dryer up against draperies or curtains or on carpet.
- Keep any and all items from falling or collecting behind the dryer.

Failure to follow these instructions could result in a fire or explosion.

Post this warning in a prominent location.

The coin-slide mechanisms, control panel lock and key, coin box lock and key are not included and are available from usual industry sources.

Electrical requirements

⚠ WARNING

Electrical Shock Hazard

- **Electrical earth is required on this appliance.**
- **Do Not earth to a gas pipe.**
- **Do Not modify the power supply cord plug. If it does not fit the outlet, have a proper outlet installed by a qualified electrician.**
- **Do Not have a fuse in the neutral or earthing circuit. A fuse in the neutral or earthing circuit could result in an electrical shock.**
- **Do Not use an extension cord with this appliance.**
- **Check with a qualified electrician if you are in doubt as to whether the appliance is properly earthed.**

Failure to follow these instructions may result in death or serious injury.

If codes permit and a separate earthing wire is used, it is recommended that a qualified electrician determine that the earthing path is adequate.

1. A two-wire plus earthing wire, single-phase 230-volt, 50-Hz, AC-only electrical supply is required on a separate 20-ampere circuit, fused in the active line. Time-delay fuse or circuit breaker is recommended.
2. THE DRYER MUST BE CONNECTED WITH COPPER WIRE ONLY.
3. The appliance may be connected directly to the fused disconnect or circuit breaker box through flexible, armored or non-metallic sheathed copper cable. Allow two or three feet of slack in the line between the wall and the appliance so that it can be moved if servicing is ever necessary. A conduit connector must be provided at each end of the power supply cable (at the appliance and at the junction box). Wire sizes (COPPER WIRE ONLY) and connections must conform with the rating of the appliance (20 amperes).

Important: Observe all governing codes and ordinances.

Electrical connection

Earthing Instructions

This appliance must be connected to earthed metal permanent wiring system; or an equipment-earthing conductor must be run with the circuit conductors and connected to the equipment-earthing terminal or lead on the appliance.

4/95

THE ELECTRICAL CONNECTION OF THIS APPLIANCE MUST BE CARRIED OUT BY A LICENSED ELECTRICIAN AND MUST CONFORM WITH THE RELEVANT AUSTRALIAN STANDARDS.

Exhaust requirements

⚠ WARNING

Fire/Health Hazard

- Do Not use non-metal flexible duct.
- Do Not use metal duct smaller than four inches (10.2 cm) in diameter.
- Do Not use exhaust hoods with magnetic latches.
- Check that exhaust system is not longer than specified. Exhaust systems longer than specified will:
 - Accumulate lint.
 - Shorten the life of the dryer.
 - Reduce performance, resulting in longer drying times and increased energy usage.

Failure to follow specifications may result in a fire.

- Do Not exhaust dryer into a chimney, furnace cold air duct, attic or crawl space, or any other duct used for venting.
- Clean the exhaust system at least every other year or more often if needed.
- Do Not install flexible duct in enclosed walls, ceilings or floors.

Accumulated lint could result in moisture damage.

Use **duct tape** to seal all joints.

Four-inch (10.2 cm), rigid, metal pipe is preferred. Plan installation to use the fewest number of elbows and turns.

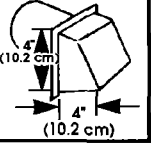
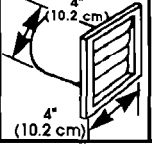
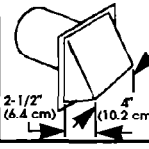
Metal flexible duct must be fully extended and supported when the dryer is in its final position. DO NOT KINK OR CRUSH THE DUCT. The metal flexible duct must be completely open to allow adequate exhaust air to flow.

Allow as much room as possible when using elbows or making turns. Bend duct gradually to avoid kinking. Remove excess flexible duct to avoid sagging and kinking that may result in reduced air flow.

Exhaust outlet is located at the center of the bottom dryer back.

The exhaust duct can be routed up, down, left, right, behind the dryer or straight out the back of the dryer. Detailed space requirements can be found in the "Recessed area and closet installation instructions," Page 4.

Maximum length of exhaust system depends upon the type of duct used, number of elbows and type of exhaust hood. The maximum length for both rigid and flexible duct is shown in the chart.

EXHAUST HOOD TYPE			
No. of 90° turns			
MAXIMUM LENGTH OF 4-INCH (10.2 cm) DIAMETER RIGID METAL DUCT			
0	43' (13.1 m)	41' (12.5 m)	36' (11.0 m)
1	33' (10.1 m)	31' (9.4 m)	26' (7.9 m)
2	23' (7.0 m)	21' (6.4 m)	16' (4.9 m)
MAXIMUM LENGTH OF 4-INCH (10.2 cm) DIAMETER FLEXIBLE METAL DUCT			
0	30' (9.1 m)	29' (8.8 m)	24' (7.3 m)
1	24' (7.3 m)	23' (7.0 m)	18' (5.5 m)
2	16' (4.9 m)	15' (4.6 m)	10' (3.0 m)

Service check: The back pressure in any exhaust system must not exceed 0.6 inches of water column measured with an incline manometer at the point that the exhaust duct connects to the dryer.

Exhausting the dryer outside is recommended. A closet installation must be exhausted outside. Recessed installation that is not exhausted outside must use Exhaust Deflector Part No. 3391278, available from your dealer.

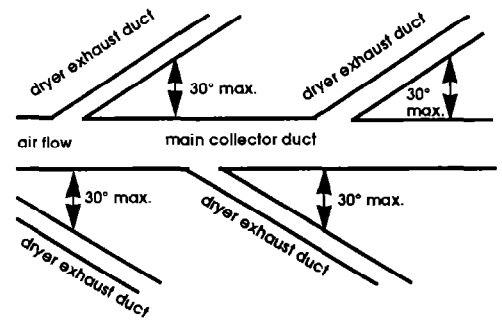
If dryer is installed in a confined area, such as a bedroom, bathroom or closet, it **must** be exhausted to the outside and provision made for enough air for combustion and ventilation. (Check governing codes and ordinances.) See "Recessed area and closet installation instructions," Page 4.

An **exhaust hood** should cap the exhaust duct to prevent exhausted air from returning into the dryer. The outlet of the hood must be at least 12 inches (30.5 cm) from the ground or anything else that may be in the path of the exhaust.

Four-inch (10.2 cm) outlet hood is preferred. However, a 2-1/2-inch (6.4 cm) outlet exhaust hood may be used. A 2-1/2-inch (6.4 cm) outlet creates greater back pressure than other hood types.

A main exhaust duct can be used for exhausting a group of dryers. Main exhaust duct should be sized to remove 200 CFM (18.6 CMM) of air per dryer. Large-capacity lint screens of proper design may be used in the main exhaust duct if checked and cleaned frequently. The room where

the dryers are located should have make-up air equal to or greater than the CFM (CMM) of all the dryers in the room.



Back-draft damper kits (Part No. 3391910) are available from your Whirlpool dealer and should be installed in each dryer's exhaust duct to prevent exhausted air from returning into the dryers and to keep the exhaust in balance within the main exhaust duct. Unobstructed air openings are required.

Each exhaust duct should enter the main duct at an angle pointing in the direction of the airflow. Ducts entering from the opposite side should be staggered to reduce the exhausted air from interfering with the other ducts.

The **maximum angle** of each duct entering the main duct should be no more than 30°.

⚠ CAUTION

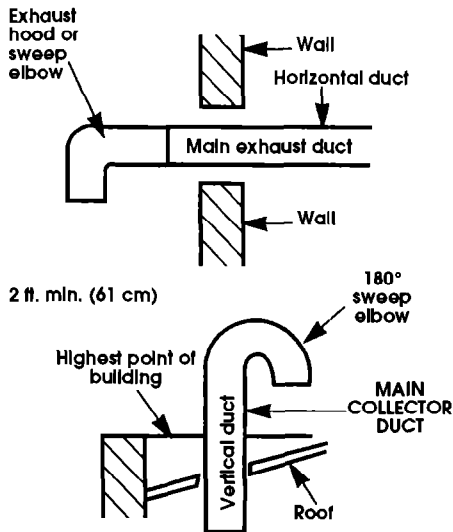
Product Damage

Keep air openings free of dry cleaning fluid fumes.

Fumes create acids which, when drawn through the dryer heating units, can damage dryers and loads being dried.

A **clean-out cover** should be located on the main exhaust duct for periodically cleaning the exhaust system.

An **exhaust hood** should cap the outside end of the main duct to prevent exhausted air from returning to the dryers. If an exhaust hood cannot be used, the outside end of the main duct should have a sweep elbow directed downward. If the main duct travels vertically through the roof, rather than through the wall, install 180° sweep elbow on the end of duct at least 2 feet (61 cm) above the highest part of the building. The opening wall or roof shall have a diameter 1/2 inch (1.3 cm) larger than the exhaust duct diameter. The exhaust duct should be centered in the opening.



Do **Not** install screening or cap over end of duct.

To change to a 30- or 60-minute timing cam

⚠ WARNING

Electrical Shock Hazard

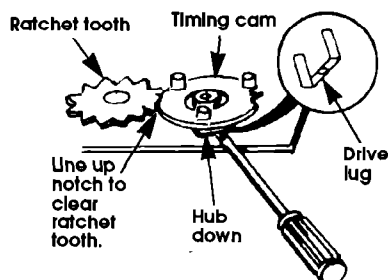
- Disconnect power supply cord from the electric power supply before making these changes.
- Change timing cams before completing electrical connection.

Failure to follow these instructions may result in death or serious injury.

Each dryer is equipped with a 45-minute timer cam that provides 45 minutes of drying time when activated by the coin slide.

You can install the 30-minute or 60-minute timing cam (shipped with dryer) as follows:

1. Unlock meter case. Reach into control panel area.
2. Turn the timing cam by hand until the "V"-shaped notch lines up below the ratchet tooth.



3. Insert a narrow, flat-blade screwdriver under the timing cam near the clock shaft. Gently lift cam straight up and off shaft making sure that the "V"-shaped notch clears the ratchet tooth.

4. Place new cam (hub side down) over clock shaft. Line up flat side of shaft with flat side of cam hole. Check that drive lug is in place.
5. Turn cam until "V"-shaped notch lines up with ratchet tooth.
6. Press cam down in place on motor shaft. Make sure that "V"-shaped notch clears the ratchet tooth.
7. Close and lock the meter case.

Now start...

With dryer in laundry area.

1. Take tape off front corners of dryer.
2. Open dryer and remove literature and parts packages. Remove parts from packages. Check that all parts were included.
3. Remove the tape that holds the drum to the cabinet. (Some dryer drums are not taped for shipping.) Move the drum by hand to make sure all tape has been removed. Wipe the interior of the drum thoroughly with a damp cloth before using dryer.

4. Take two of the cardboard corners from the carton and place them on the floor in back of the dryer.
5. Firmly grasp the body of the dryer and gently lay it on its back on the cardboard corners.

6. With one of the legs in hand, check the ridges for a diamond marking. That's how far the leg is supposed to go into the hole.

7. Start to screw the leveling legs into the holes by hand. (Use a small amount of liquid detergent to lubricate the screw threads so it is easier to turn the legs.) Use a 1-inch wrench or socket wrench to finish turning the legs until you reach the diamond mark.

⚠ CAUTION

Floor Damage

Slide dryer onto cardboard or hardboard before moving across floor.

Failure to do so may cause damage to floor covering.

8. Now stand the dryer up.

9. On coin-operated dryers, remove the service door of the meter case. Lift the service door up at the back and remove. Carefully insert coin slide with the coin-slide extension attached into front opening and secure with the 3/16-inch mounting bolt from inside the meter case. The coin slide may need to be partially pushed in to insert mechanism in the front opening. Replace meter case top and service door. Insert coin vault with lock and key.

10.

- Put the coin vault with lock and key in the meter case opening. A larger-capacity coin vault can be installed. Use a knife to carefully remove the paint along the seam at the bottom of the conversion bar. Use a blade screwdriver and a hammer to lightly tap along the seam area. Raise the conversion bar up to the notches in the sides of the vault opening. Remove the conversion bar and drawer guide. Install new guide (found in parts bag) and the larger coin vault.

11.

- Move dryer close to final position. Remove cardboard or hardboard from under dryer.

12.

- The electrical connections must be done by a licensed electrician.

13.

- Carefully move dryer into final position. Place level on top of the dryer, first side to side; then front to back. If the dryer is not level, adjust the legs of the dryer up or down until the dryer is level.

14.

- To exhaust dryer, see "Exhaust requirements," Pages 2-3. Connect exhaust duct to exhaust hood. Use duct tape to seal all joints in the exhaust duct. Use caulking to seal exterior wall opening around exhaust hood.

15. Check that all parts are now installed. If there is an extra part, go back through the steps to see which step was skipped.

16. Check that you have all your tools.

17. Take a few minutes to read the Use and Care Guide to fully understand your new dryer.

18. Now start the dryer and allow it to complete a full heat cycle (not the air cycle) to make sure it is working properly.

Recessed area and closet installation instructions

This dryer may be installed in a recessed area or closet. Detailed space requirements for recessed area and closet installations can be found on the label on the back panel of the dryer.

⚠ WARNING

Fire Hazard

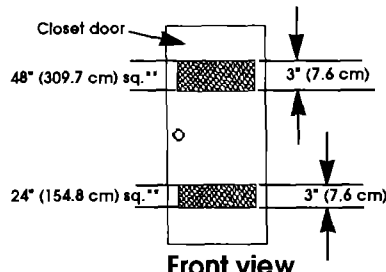
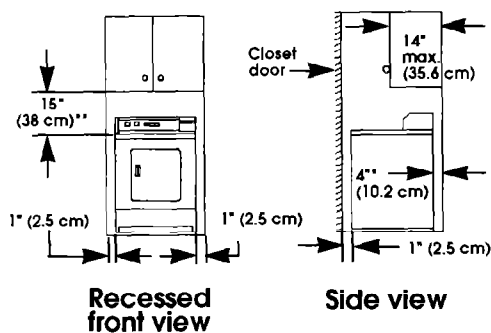
- The dryer should be exhausted outside.
 - If dryer is installed in a closet, the dryer **MUST** be exhausted outside.
- Failure to do so may result in a fire.

The installation spacing is in inches and centimeters and is minimum allowable. Additional spacing should be considered for ease of installation, servicing and compliance with local codes and ordinances. If closet door is installed, the minimum unobstructed air openings in top and bottom is required. Louvered doors with equivalent air openings are acceptable. Companion appliance spacing should be considered.

FOR CLOSET INSTALLATIONS, TO PREVENT LARGE AMOUNTS OF LINT AND MOISTURE FROM ACCUMULATING AND TO MAINTAIN DRYING EFFICIENCY, THE DRYER MUST BE EXHAUSTED OUTDOORS.

Recessed non-exhausted installation must use only the rear exhaust position and Exhaust Deflector Kit, Part No. 3391278, is required.

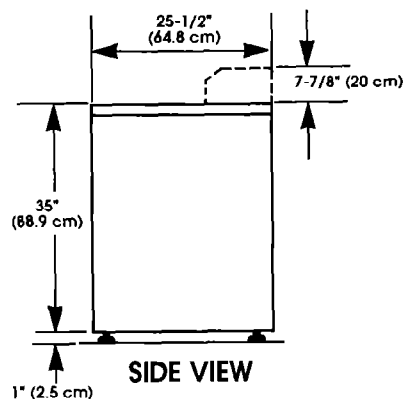
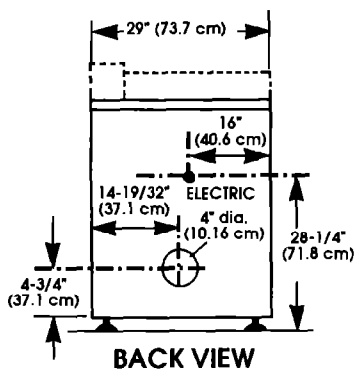
Shelf or cabinet is not permitted above dryer when non-exhausted. No other fuel-burning appliance may be installed in the same closet.



* Additional clearances for wall, door and floor moldings may be required or if external exhaust elbow is used.

** Opening is minimum for closet door. Louvered door with equivalent air opening is acceptable.

Product dimensions



If dryer does not operate properly...

Check the following to be sure that:

1. Electric supply is connected.
2. Circuit breakers are not tripped or house fuses blown.
3. Door is closed.
4. Controls are set in a running or "ON" position.

Moving the dryer to a new location...

⚠ CAUTION

Floor Damage

Slide dryer onto cardboard or hardboard before moving across floor.

Failure to do so may cause damage to floor covering.

- Shut off electric supply to dryer.
- Disconnect electrical supply cord and external earthing wires. Tape securely to dryers.
- Tape the drum to the front panel.
- Tape door.
- Screw leveling legs all the way in.

Before installing dryer in a new location, check with a licensed electrician to confirm that the supply voltage matches the voltage specified on the rating plate located in the door well of the dryer.

