



Front Loading Electric Dryer

PRODUCT MODEL NUMBERS

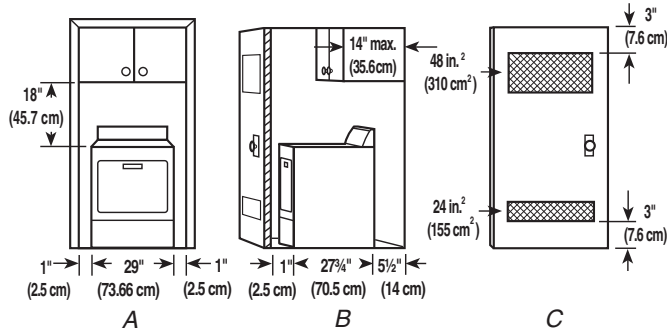
LEV4634P WED5590S WED5590V

Electrical: A 3 or 4 wire, single phase, 120/240 volt, 60 Hz., AC only electrical supply (or 3 or 4 wire, 120/208 volt electrical supply, if specified on the serial/rating plate) on a separate 30-amp circuit, fused on both sides of the line is required. A time-delay fuse or circuit breaker is recommended. Connect to an individual branch circuit. Do not have a fuse in the neutral or grounding circuit.

Exhaust venting: Exhaust your dryer to the outside. Four-inch diameter vent is required. Rigid or flexible metal exhaust vent must be used. Do not use plastic or metal foil vent. Exhaust outlet hood must be at least 12 inches from the ground or any object that may be in the path of the exhaust.

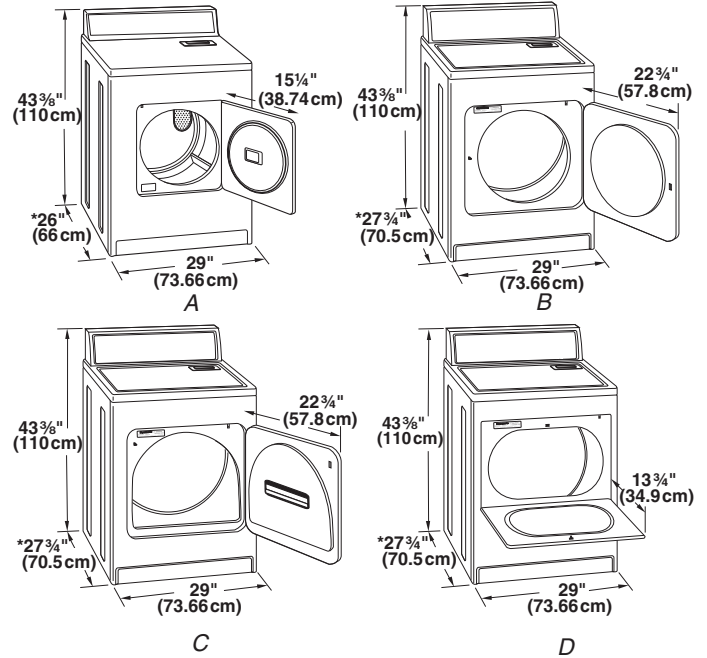
RECESSED AREA AND CLOSET INSTALLATION

For closet installation, with a door, the minimum ventilation openings in the top and bottom of the door are required. Louvered doors with equivalent air ventilation openings are acceptable.



A. Recessed area
B. Side view - closet or confined area
C. Closet door with vents

OVERALL DIMENSIONS



A. Small opening side-swing door
B. Large opening side-swing door
C. Wide opening side-swing door
D. Wide opening hamper door

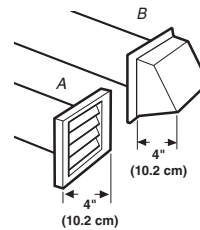
* Most installations require a minimum 5/2" (14 cm) clearance behind the dryer for the exhaust vent with elbow. See Installations Instructions, "Venting Requirements."

EXHAUST VENTING

Number of 90° turns or elbows	Rigid metal vent	Flexible metal vent
0	120 ft (36.6 m)	40 ft (12.2 m)
1	110 ft (33.5 m)	37 ft (11.3 m)
2	100 ft (30.5 m)	33 ft (10.1 m)
3	90 ft (27.4 m)	30 ft (9.1 m)
4	80 ft (24.4 m)	27 ft (8.2 m)
5	70 ft (21.3 m)	23 ft (7.0 m)

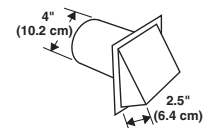
NOTE: Side and bottom exhaust installations have a 90° turn inside the dryer. To determine maximum exhaust length, add one 90° turn to the chart.

Recommended hood styles



A. Louvered hood style
B. Box hood style

Acceptable hood style



Select the route that will provide the straightest and most direct path outdoors. Plan the installation to use the fewest number of elbows and turns. Avoid making 90° turns.

Do not use vent runs longer than specified in vent length chart. Determine the number of elbows you will need.