

NOTES

TECHNICALS SPECIFICATIONS

Wires:
Compliance with Elux Spec. CSS 2091/..

Connectors:
Compliance with Elux Spec. CSS 3044/..

Crimp terminals:
Compliance with Elux Spec. CSS 2101/..

Multi-pole connectors for crimp terminals:
Compliance with Elux Spec. CSS 3006/..

HARNESS MUST BE 100% ELECTRICALLY TESTED AT THE SUPPLIER FACILITY;

LABEL CODE SHOWING P/N FOLLOWED BY REV. LETTER, SUPPLIER NAME, MANUFACTURY INFO. TO BE LEGIBLE, PERMANENTLY MARKED AND ATTACHED AT LOCATION SHOWN.

Harness must be UL and CSA recognized. Recognition must be obtained by supplier and the shipping carton shall be labeled accordingly.

Supplier: SELETTA - UL/CSA File n.E242078

Wires:
Siz. 0.75 mm²: AWG16 (1.3mm²) -> VERCANI -> UL/CSA File n.E140387
Siz. 0.75 mm²: AWG18 (0.824mm²) -> Fomione: VERCANI -> UL/CSA File n.E140387
Siz. 0.5mm²: AWG22 (0.519mm²) -> Fomione: VERCANI -> UL/CSA File n.E140387
Siz. 0.35mm²: AWG22 (0.325mm²) -> Fomione: VERCANI -> UL/CSA File n.E140387
AWM Style 1007 80° 300V AWG16-18-20-22 VW-1 I ABFT1
AWM Style 1589 105° 300V AWG16-18-20-22 VW-1 I ABFT1
AWM Style 1015 105° 800V AWG16 VW-1 I ABFT1

Connectors:
RAST5 PCB: AMP Monoshape -> TYCO - UL File n.E28476
RAST2.5 PCB: AMP Monoshape -> TYCO - UL File n.E28476
(UL File n.E28476 Combination report rLUis E28476 VOL.9, SEC.7 issued 1997-10-27);
RAST 2.5: AMP DuoPlug -> TYCO - UL File n.E28476 (CSA report 1084060 -LR7189);
RAST 2.5: MOLEX -> UL File n.E28178 (CSA LR19880);

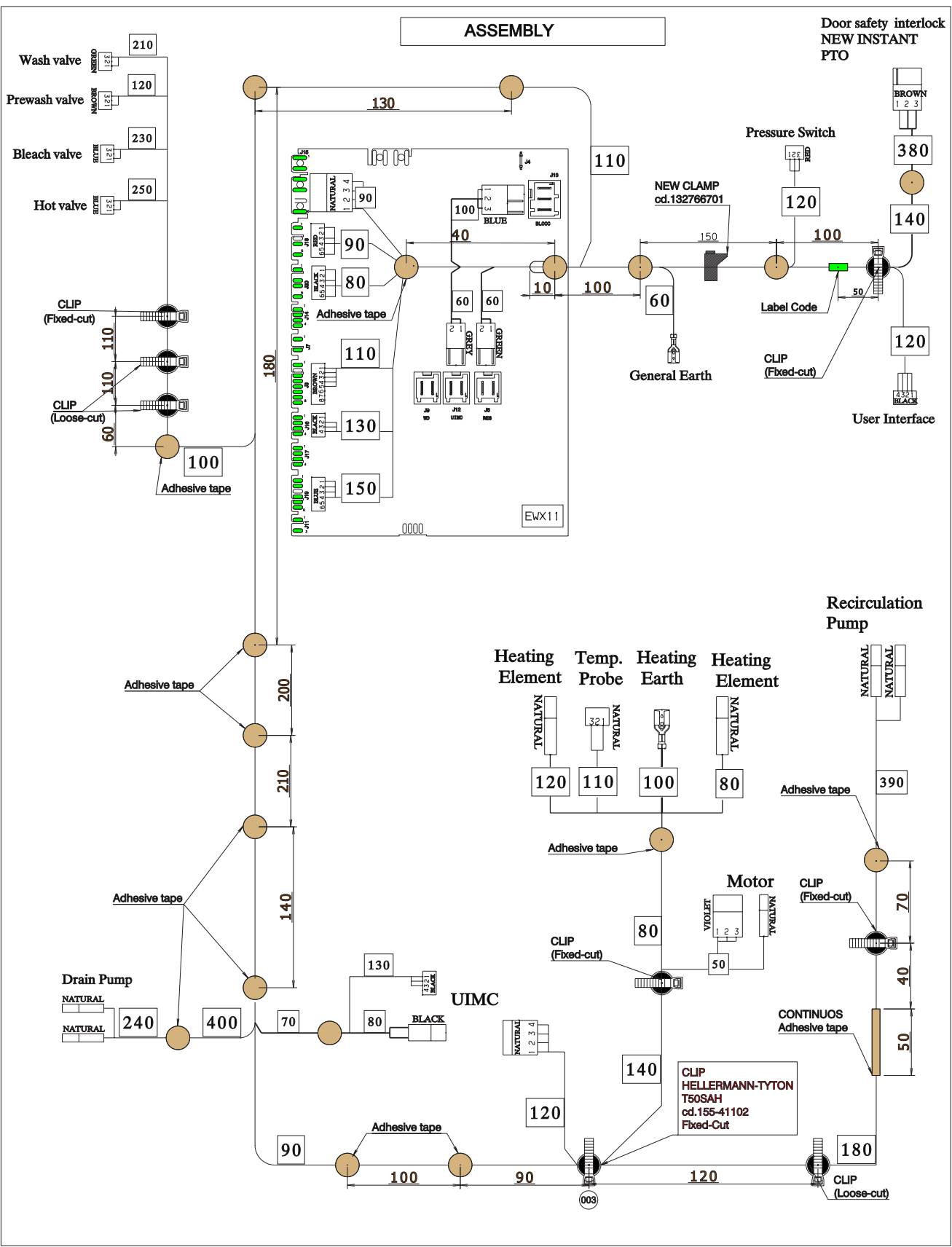
Crimp terminals:
Female Inar Safety: INARCA -> UL/CSA File n.E123765
Female Self locking: ESCUBEDO -> UL/CSA File n.E211727

Clips:
Push mount cable tie: HELLERMANN TYTON -> UL File n.E64863
Vinyl Electrical Type: 3M -> UL File n.E129200 (CSA File LR48789);

Adhesive tape:
Vinyl Electrical Type: 3M -> UL File n.E129200 (CSA File LR48789);

START POINT FOR WIRES DIMENSIONING:

MORE DETAILS INFORMATIONS ON SINGLE MODULES DRAWINGS.



WIRING TABLE

VARIANT NUMBER	POB.	REPLACED NUMBER	USERS	A01 245 501 (Heating)	A01 246 801 (Valves P-W)	A01 245 701 (Bleach/Hot)	A01 245 801 (No Flow)	A01 245 901 (UIMC Mass)	A01 246 101 (Jet No H2O)	A01 246 201 (UIMC Pow.)	A01 246 301 (Instant)	A01 246 401 (Earth/GND)	A01 246 501 (NO Auto Off)	A01 246 601 (Motor)	CLAMP 132789701	Adhesive tape	CLIP cd.0861028 (FLM18-C)
A01 211 001/C	008	A01211001/B	ZP	X	X	X	X	X	X	X	X	X	X	X	1	18	8