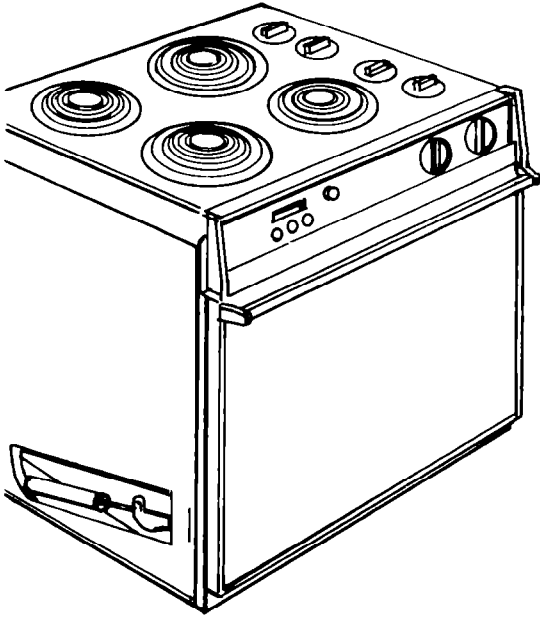


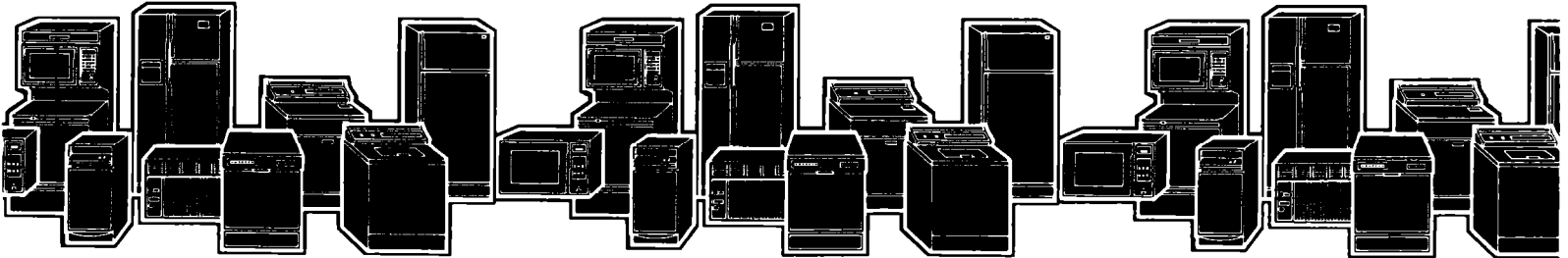
Installation Instructions



IMPORTANT:
Installer: Leave Installation Instructions with the homeowner.
Homeowner: Keep Installation Instructions for future reference.
Save Installation Instructions for local electrical inspector's use.

30" Set-In Electric Range

Washers, Clothes Dryers, Freezers, Refrigerators-Freezers, Ice Makers, Dishwashers, Built-In Ovens and Surface Units, Ranges, Microwave Ovens, Compactors, Room Air Conditioners, Dehumidifiers, Automatic Washers, Clothes Dryers, Freezers, Refrigerators-Freezers, Ice Makers, Dishwashers, Built-In Ovens



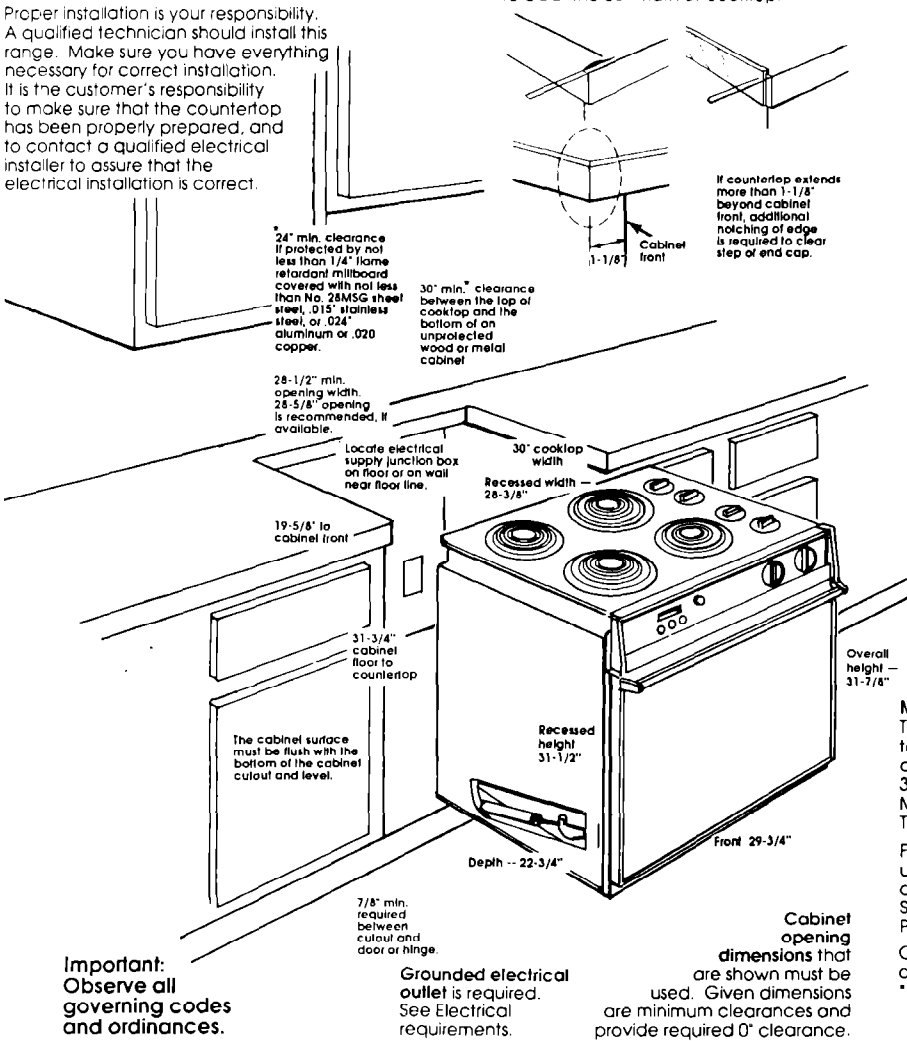
Before you start...

Read the Electrical and Carpentry instructions.

Proper installation is your responsibility. A qualified technician should install this range. Make sure you have everything necessary for correct installation. It is the customer's responsibility to make sure that the countertop has been properly prepared, and to contact a qualified electrical installer to assure that the electrical installation is correct.

Countertop preparation:

You may need to shave or cut the trim of formed or metal front edged countertops to clear the 30" width of cooktop.



⚠ WARNING:

POTENTIAL BURN HAZARD

Cabinet storage above the cooking surface should be avoided. If cabinets are already installed, reduce hazard of reaching over a heated cooking surface by installing a range hood. Range hood should extend a minimum of 5 inches out from the bottom front of the cabinets. Reaching over heated cooking surface causes risk of being seriously burned.

NOTE:

It is the customer's responsibility:

- To contact a qualified electrical installer.
- To assure that electrical installation is adequate and in conformance with National Electrical Code, ANSI/NFPA 70-latest edition* and local codes and ordinances.

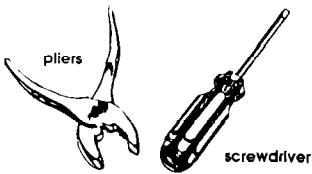
Mobile home installation

The installation of this range must conform to the Manufactured Home Construction and Safety Standards, Title 24 CFR, Part 3280 (formerly the Federal Standard for Mobile Home Construction and Safety, Title 24, HUD, Part 280).

Four-wire power supply cord must be used in a mobile home installation. The appliance wiring will need to be revised. See Electrical requirements, Figure 4, Panel B.

Copies of the standards listed may be obtained from:
 * National Fire Protection Association
 Battery March Park
 Quincy, Massachusetts 02169

Tools needed for installation:



Electrical requirements

Electrical ground is required on this appliance.

⚠ WARNING:

ELECTRICAL SHOCK HAZARD

Check with a qualified electrician if you are in doubt as to whether the appliance is properly grounded. Improper connection of the equipment-grounding conductor can result in a risk of electrical shock.

IMPORTANT:
 Save installation instructions for the local electrical inspector's use.

A. A three-wire or a four-wire single phase, 120/240 volt, 60 Hz, AC only, electrical supply (or three-wire or four-wire 120/208 volt if specified on serial plate) is required on a separate circuit, fused on both sides of the line. **Do Not** fuse the neutral. A time-delay fuse or circuit breaker is recommended. The fuse size must not exceed the circuit rating of the appliance specified on the serial/rating plate which is located on frame behind oven door.

Do Not use an extension cord.

B. THE RANGE MUST BE CONNECTED WITH COPPER WIRE ONLY. Aluminum wire **Must Not** be used to avoid potentially unsatisfactory connections.

C. Wire sizes and connections must conform to the requirements of the National Electrical Code, ANSI/NFPA 70-latest edition* and local codes and ordinances for the kilowatt rating of the range.

D. This appliance should be connected to the fused-disconnect (or circuit breaker) box through flexible, armored or

nonmetallic sheathed cable with copper grounding wire. The flexible armored cable extending from the appliance should be connected directly to the junction box.

E. Locate the junction box to allow as much slack as possible between the junction box and the appliance so that the range can be moved if servicing is ever necessary. Do not cut conduit.

F. A U.L.-listed strain relief **must** be provided at the junction box.

G. It is the personal responsibility and obligation of the customer to contact a qualified electrician to assure that the electrical installation is adequate and is in conformance with the National Electrical Code ANSI/NFPA 70-latest edition* and local codes and ordinances.

Copies of the standards listed may be obtained from:
 * National Fire Protection Association
 Battery March Park
 Quincy, Massachusetts 02169

H. The wiring diagram is located on the right hand side of non-self-cleaning ranges. A Tech Sheet is located behind the lower air grille on self-cleaning ranges.

Electrical connection

Electrical ground is required on this appliance.

Do Not connect to electrical supply until appliance is permanently grounded. See Figure 3.

⚠ WARNING

ELECTRICAL SHOCK HAZARD

Disconnect power to the junction box. Failure to do so could result in serious injury or death.

⚠ WARNING

ELECTRICAL SHOCK HAZARD

This appliance must be connected to a grounded, metallic permanent wiring system or a grounding conductor should be connected to the grounding terminal or wire lead on the appliance:

Failure to do so could result in serious injury or death.

This appliance is manufactured with white neutral supply wire and a frame-connected, green, grounding wire twisted together.

Connect the appliance cable to the junction box through the U.L.-listed strain relief. Complete electrical connection according to local codes and ordinances.

A. Where local codes permit connecting the frame-grounding conductor to the neutral (white) junction box wire:

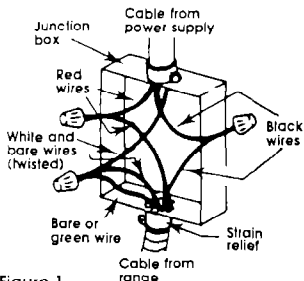


Figure 1

1. Connect together 3 wires: green and white appliance cable wires and the neutral white wire in the junction box.
2. Connect the two black wires, then the two red wires. See Figure 1.

B. Where local codes DO NOT permit connecting the frame-grounding conductor to the neutral (white) junction box wire:

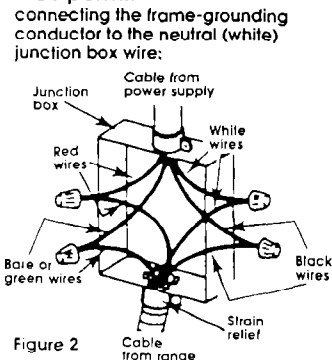


Figure 2

1. Separate the green and white appliance cable wires.
2. Connect the white appliance cable wire to the neutral (white) wire in junction box.
3. Connect the two black wires, then the two red wires. See Figure 2.
4. Connect the green grounding wire to a grounded wire in the junction box or to a grounded copper cold water pipe.*

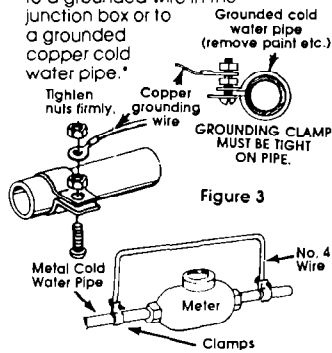


Figure 3

5. A separate copper grounding wire (No. 18 minimum) **MUST** be connected to a grounded cold water pipe by means of a clamp and then to the external grounding connector screw. **DO NOT** ground to a gas supply pipe or hot water pipe.

* Grounded, cold water pipe must have metal continuity to electrical ground and not be interrupted by plastic, rubber or other electrical insulating connectors such as hoses, fittings, washers or gaskets (including water meter or pump). Any electrical insulating connector should be jumped as shown with a length of No. 4 copper wire securely clamped to bare metal at both ends.

C. If connecting to a four-wire, electrical system: DO NOT connect the frame-grounding conductor to the neutral (white), junction box wire.

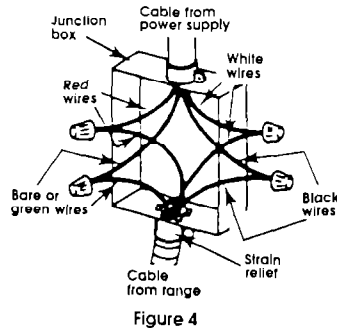


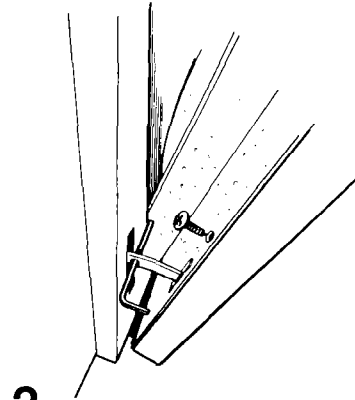
Figure 4

1. Separate the green and white appliance cable wires.
2. Connect the white appliance cable wire to the neutral (white) wire in the junction box.
3. Connect the two black wires, then the two red wires. See Figure 4.
4. Connect the green grounding wire to the grounding wire in the junction box.

Now Start...

With range in kitchen.

1. Remove shipping materials, tape and protective film from range. **Do Not remove the shipping base at this time.**
2. Remove racks and other parts from inside oven. Remove air grille taped to top or side of range.



3. **Self-cleaning models:** Remove screws on each side of the inner panel of the oven door. Insert a nail or a 5/32" diameter item in the hole in each of the hinges. Close door as far as possible. Lift oven door off of the hinges and set aside.

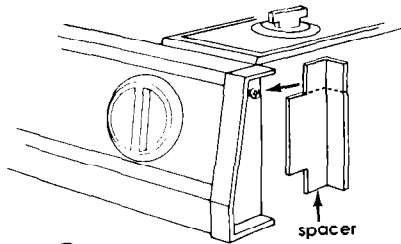
Non-self-cleaning models: Open door to broil "stop" position and lift door upwards to remove.

4. Move range close to cabinet cutout. Make electrical connection. See Electrical requirements and Electrical connection sections, Panels A and B, for details.

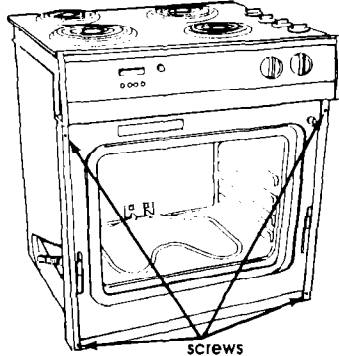
CAUTION

POTENTIAL FLOOR DAMAGE

Keep shipping base under range. Failure to do so may cause floor damage.



6. Center range into cabinet cutout. Loosen screws and insert spacers (shipped in literature bag), on each side of control console. If range does not fit properly, check spacers. The spacers may need to be cut to fit under countertop. Mark with a pencil where each spacer needs to be cut. Loosen both screws to remove spacers. Cut across top of each spacer. Replace spacers and tighten screws. Check that range fits properly on countertop.

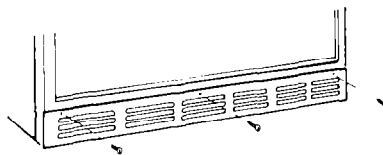


7. Secure range to cabinet using four screws through the mounting holes in the front frame of the oven.

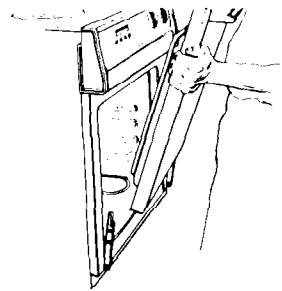
CAUTION

POTENTIAL PERSONAL INJURY

Securely fasten range to cabinets using the four (4) screws provided. Failure to do so could cause range to move or tip during use and result in personal injury.



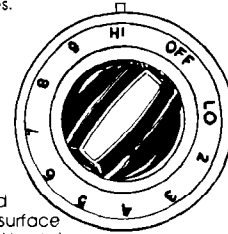
8. Put air grille into place under oven door. Be sure louvers in air grille point down, flange is at bottom, and mounting holes are at top. Slide air grille up into position. Attach grille with 3 black metal screws. (White models may use chrome screws.)



9. Replace oven door by fitting both corners of door over ends of hinges. Push door evenly and completely onto hinges. Remove nails from hinges. Reinstall two screws into inner door panel. If door does not close, you have not pushed door completely onto hinges.

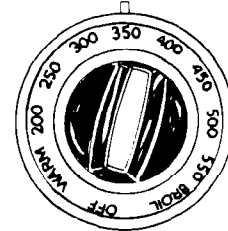
10.

Turn on power supply.



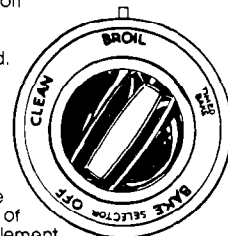
11.

Push in and turn each surface unit control knob to "HI" position. Check the operation of the cooktop elements and indicator lights.



12.

Check the operation of the oven elements. Set the oven selector control knob to "BAKE". (Oven selector control knob is not available on all models.) Set the oven temperature control to 350°F. The bottom element should glow red and the indicator light should be on. The upper element should become hot but not glow red. The oven indicator light goes off when the oven is preheated.



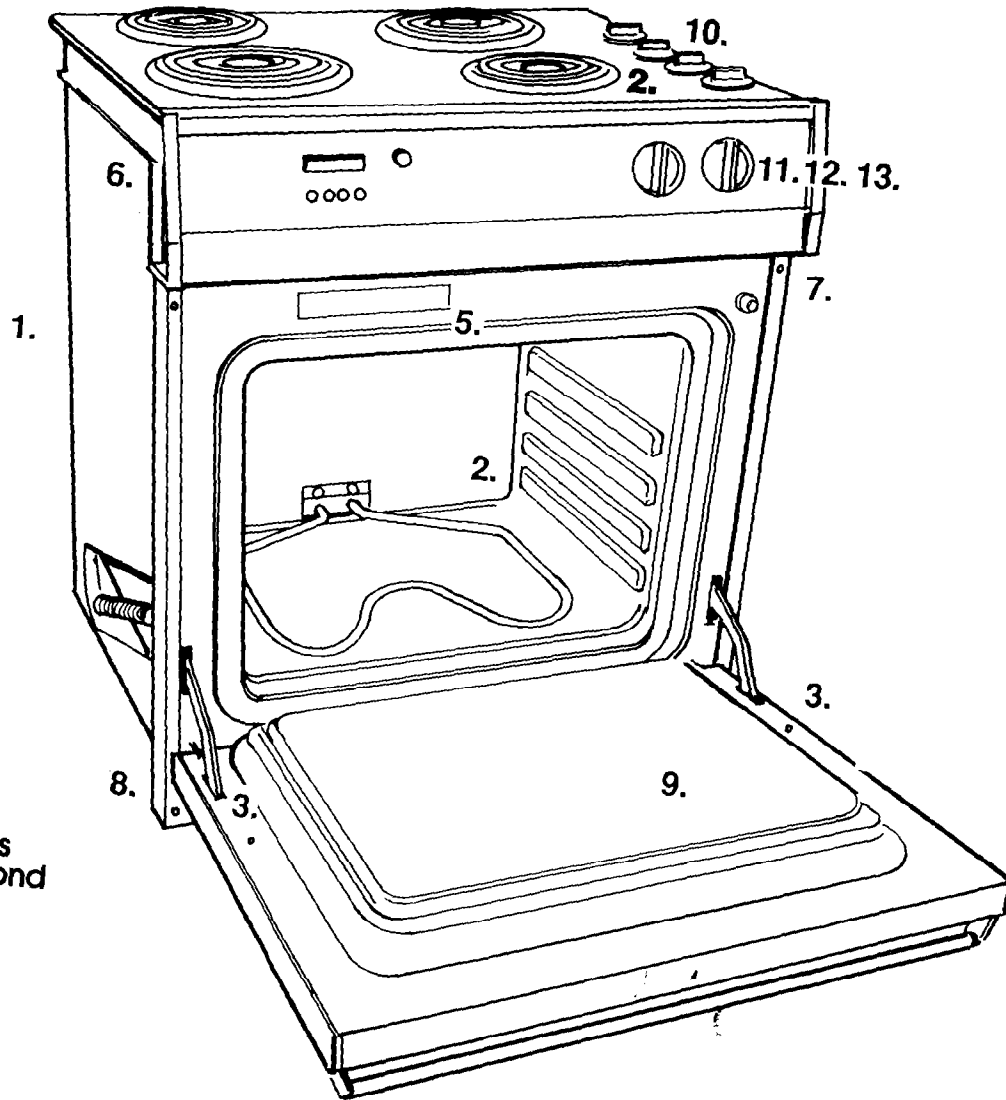
13.

Check the operation of the broil element. Set the oven selector and oven temperature control knobs to "BROIL". (Oven selector control knob is not available on all models.) The top element should glow red and the indicator light should be on.

You have just finished installing your new Whirlpool range. To get the most efficient use from your new range, read your Whirlpool Use & Care

Congratulations!

Guide. Keep Installation Instructions and Guide close to range for easy reference. The instructions will make reinstalling your Whirlpool range in another home as easy as the first installation.



Numbers
correspond
to steps.

If the range does not operate...

Check that the circuit breaker is not tripped or the fuse blown. A more detailed, trouble-shooting checklist is provided in the Use and Care Guide.

If you need assistance...

During normal business hours the Whirlpool COOL-LINE® Service will answer any questions about operating or maintaining your range not covered in the Installation Instructions. The Whirlpool COOL-LINE® Service number is (800) 253-1301. Dial just as you normally dial long distance — the call is free. When you call, you need the range model number and serial number. Both numbers can be found on the serial/rating plate located on the frame behind the oven door.

If you need service...

In the event your Whirlpool appliance should need service, call the dealer from whom you purchased the appliance or a Whirlpool franchised TECH-CARE® service company. He is in the Yellow Pages of your phone directory listed under "Appliances — Household — Major — Service or Repair". You can also obtain his name and number by dialing, free, within the continental United States, the Whirlpool COOL-LINE® Service number, (800) 253-1301. A special operator will tell you the name and number of your nearest Whirlpool TECH-CARE® service outlet.

Maintain the quality built into your Whirlpool appliance — call TECH-CARE® service.

