

40" DUAL FUEL RANGE INSTALLATION INSTRUCTIONS

(Models with Electric Ovens and Gas Cooktop)

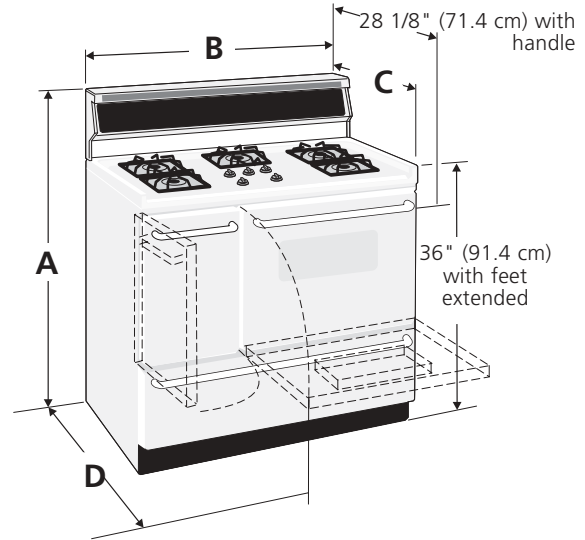
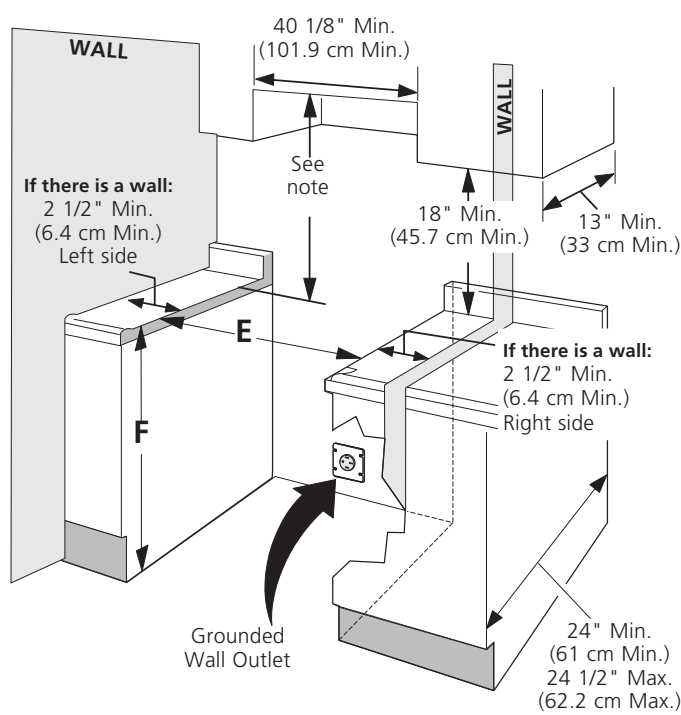


**IMPORTANT: SAVE FOR LOCAL ELECTRICAL INSPECTOR'S USE.
READ AND SAVE THESE INSTRUCTIONS FOR FUTURE REFERENCE.
OBSERVE ALL GOVERNING CODES AND ORDINANCES.**

WARNING If the information in this manual is not followed exactly, a fire or explosion may result causing property damage, personal injury or death.

FOR YOUR SAFETY:

- Do not store or use gasoline or other flammable vapors and liquids in the vicinity of this or any other appliance.
- **WHAT TO DO IF YOU SMELL GAS:**
 - Do not try to light any appliance.
 - Do not touch any electrical switch; do not use any phone in your building.
 - Immediately call your gas supplier from a neighbor's phone. Follow the gas supplier's instructions.
 - If you cannot reach your gas supplier, call the fire department.
- Installation and service must be performed by a qualified installer, service agency or the gas supplier.



NOTE: 24" (61 cm) minimum clearance between the cooktop and the bottom of the cabinet when the bottom of wood or metal cabinet is protected by not less than 1/4" (0.64 cm) flame retardant millboard covered with not less than No. 28 MSG sheet metal, 0.015" (0.4 mm) stainless steel, 0.024" (0.6 mm) aluminum, or 0.020" (0.5 mm) copper.
30" (76.2 cm) minimum clearance when the cabinet is unprotected.

Do not pinch the power supply cord between the range and the wall.

Do not seal the range to the side cabinets.

A. HEIGHT	B. WIDTH	C. DEPTH TO FRONT OF RANGE	D. DEPTH WITH DOOR OPEN	E. MINIMUM CUTOUT WIDTH	F. HEIGHT OF COUNTERTOP
46 3/4" (118.7 cm)	40 1/8" (101.9 cm)	25 7/8" (65.7 cm)	43 3/4" (111.1 cm)	40 1/4" (102.2 cm)	36" (91.4 cm) standard 35 3/8" (90 cm) min.

40" DUAL FUEL RANGE INSTALLATION INSTRUCTIONS

(Models with Electric Ovens and Gas Cooktop)

Important Notes to the Installer

1. Read all instructions contained in these installation instructions before installing range.
2. Remove all packing material from the oven compartments before connecting the electrical supply to the range (see "Preparation", page 5).
3. Install the 4 shipping bolts from range packaging as range leveling legs (see "Leveling the Range", page 6).
4. Two anti-tip brackets **MUST** be removed from lower back of range and **MUST** be installed (see "Anti-tip Bracket Installation", page 8).
5. Observe all governing codes and ordinances.
6. Be sure to leave these instructions with the consumer.


Important Note to the Consumer

Keep these instructions with your owner's guide for future reference.

IMPORTANT SAFETY INSTRUCTIONS

Installation of this range must conform with local codes or, in the absence of local codes, with CAN/CGA-B149.1 and CAN/CGA-B149.2 standards.

This range has been design certified by the American Gas Association. As with any appliance using gas and generating heat, there are certain safety precautions you should follow. You will find them in the [Use and Care Guide](#), read it carefully.

	! WARNING <ul style="list-style-type: none">• All ranges can tip.• Injury to persons could result.• Install anti-tip device packed with range.	! WARNING To reduce the risk of tipping of the range, the range must be secured by properly installed anti-tip bracket(s) provided with the range. To check if the bracket(s) is installed properly, remove the lower panel or storage drawer and verify that the anti-tip bracket(s) is engaged.
---	---	--

- **Be sure your range is installed and grounded properly by a qualified installer or service technician.**
- **This range must be electrically grounded in accordance with local codes or, in their absence, with CSA standard C22.1, Canadian Electrical Code, Part 1.**
- The installation of appliances designed for manufactured (mobile) home installation must conform with Manufactured Home Construction and Safety Standard, title 24CFR, part 3280 [Formerly the Federal

Standard for Mobile Home Construction and Safety, title 24, HUD (part 280)] or when such standard is not applicable, the Standard for Manufactured Home Installation 1982 (Manufactured Home Sites, Communities and Setups), ANSI Z225.1/NFPA 501A-latest edition, or with CAN/CSA-Z240 MH.

- **Make sure the wall coverings around the range can withstand the heat generated by the range.**
- **Before installing the range in an area covered with linoleum or any other synthetic floor covering, make sure the floor covering can withstand heat at least 90°F (32.2 °C) above room temperature without shrinking, warping or discoloring.** Do not install the range over carpeting unless you place an insulating pad or sheet of 1/4" (0.6 cm) thick plywood between the range and carpeting.
- **Do not obstruct the flow of combustion air at the oven vent nor around the base or beneath the lower front panel of the range.** Avoid touching the vent openings or nearby surfaces as they may become hot while the oven is in operation. This range requires fresh air for proper burner combustion.

! WARNING Never leave children alone or unattended in the area where an appliance is in use. As children grow, teach them the proper, safe use of all appliances. Never leave the oven door open when the range is unattended.

! WARNING Stepping, leaning or sitting on the door(s) or drawer of this range can result in serious injuries and can also cause damage to the range.

- **Do not store items of interest to children in the cabinets above the range.** Children could be seriously burned climbing on the range to reach items.
- **To eliminate the need to reach over the surface units, cabinet storage space above the units should be avoided.**
- **Adjust surface burner flame size so it does not extend beyond the edge of the cooking utensil.** Excessive flame is hazardous.
- **Do not use the oven as a storage space.** This creates a potentially hazardous situation.
- **Never use your range for warming or heating the room.** Prolonged use of the range without adequate ventilation can be dangerous.
- **Do not store or use gasoline or other flammable vapors and liquids near this or any other appliance.** Explosions or fires could result.
- In the event of an electrical power outage, the surface burners can be lit manually. To light a surface burner, hold a lit match to the burner head and slowly turn the Surface Control knob to Lite. Use caution when lighting surface burners manually.
- **Reset all controls to the "off" position after using a programmable timing operation.**

40" DUAL FUEL RANGE INSTALLATION INSTRUCTIONS

(Models with Electric Ovens and Gas Cooktop)

⚠ WARNING This appliance is equipped with a 4-prong grounding plug for your protection against shock hazard, and should be plugged directly into a properly grounded receptacle. Do not cut or remove the ground prong from this plug.

FOR MODELS WITH SELF-CLEAN FEATURE:

- Remove broiler pan, food and other utensils before self-cleaning the oven. Wipe up excess spillage. Follow the precleaning instructions in the Use and Care Guide.

Factory Connected Power Supply Cord

This range is equipped with a factory-connected power cord (see Figure 1). Cord must be connected to a grounded 120/240 volt or 120/208 volt range outlet. If not outlet is available, have one installed by a qualified electrician.

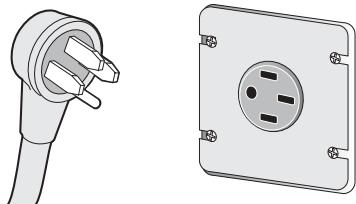


Figure 1

⚠ WARNING

Electrical Shock Hazard

- Electrical ground is required on this appliance.
- Do not connect to the electrical supply until appliance is permanently grounded.
- Disconnect power to the circuit breaker or fuse box before making the electrical connection.
- This appliance must be connected to a grounded, metallic, permanent wiring system, or a grounding connector should be connected to the grounding terminal or wire lead on the appliance.
- Do not use the gas supply line for grounding the appliance.

Failure to do any of the above could result in a fire, personal injury or electrical shock.

Range Placement

⚠ CAUTION To eliminate the risk of burns or fire by reaching over heated surface units, cabinet storage space located above the range should be avoided. If cabinet storage space is to be provided, the risk can be reduced by installing a range hood that projects horizontally a minimum of 5" (12.7 cm) beyond the bottom of the cabinet.

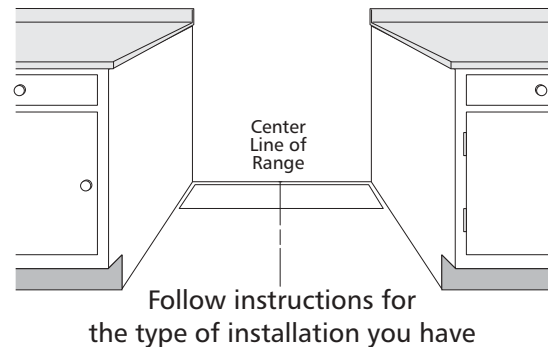


Figure 2

If range will be installed with a cabinet on both sides, draw a center line on the floor between the cabinets (see figure 2). **If back of range will not be flush with the wall** (the location of the outlet may not allow the range to be positioned against the wall), draw a line on the floor where the back edge of the range will be. Now install anti-tip brackets (see "Anti-tip Brackets Installation", page 8).

If range will be installed with a cabinet on one side only, move the range into final position. Draw a line on the floor along the side of the range that is not against the cabinet. **If back of range will not be flush with the wall** (the location of the outlet may not allow the range to be positioned against the wall), draw a line on the floor where the back edge of the range will be. Now install anti-tip brackets (see "Anti-tip Brackets Installation", page 8).

If range will not be installed against a cabinet, move range into final position. Draw a line on the floor along both sides of the range. **If back of range will not be flush with the wall** (the location of the outlet may not allow the range to be positioned against the wall), draw a line on the floor where the back edge of the range will be. Now install anti-tip brackets (see "Anti-tip Brackets Installation", page 8).

40" DUAL FUEL RANGE INSTALLATION INSTRUCTIONS

(Models with Electric Ovens and Gas Cooktop)

Gas Supply Installation

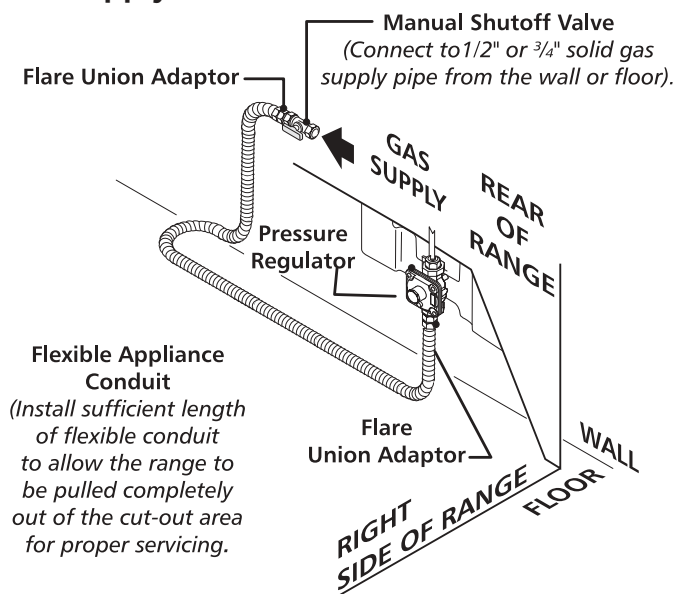


Figure 3

When shipped from the factory, this unit is designed to operate on 4" water column (1.0 kPa) Natural gas manifold pressure. A convertible pressure regulator is connected to the range manifold and **MUST** be connected in series with the gas supply line. To access the regulator, remove the drawer.

For proper operation, the maximum inlet pressure to the regulator should be no more than 14" of water column pressure (3.5 kPa).

The inlet pressure to the regulator must be at least 1" (.25 kPa) greater than the regulator manifold pressure setting. The regulator is set for 4" water column (1.0 kPa) Natural gas manifold pressure; the inlet pressure must be at least 5" water column (1.25 kPa) Natural gas. For LP/Propane gas, the regulator must be set for 10" water column (2.5 kPa) manifold pressure; the inlet pressure must be at least 11" water column (2.75 kPa).

The supply line should be equipped with an approved shutoff valve (see Figure 3). This valve should be located in the same room as the range and should be in a location that allows ease of opening and closing. Do not block access to the shutoff valve. The valve is for turning on or shutting off gas to the appliance. Open the shutoff valve in the gas supply line. Wait a few minutes for gas to move through the gas line.

The gas supply between the shutoff valve and the regulator may be connected by rigid piping or by A.G.A./C.G.A.-approved flexible metallic union connected piping where local codes permit use.

The gas supply piping can be through the side wall of the right cabinet. The right side cabinet is an ideal location for the main shutoff valve.

CAUTION Do not make the connection too tight. The regulator is die cast. Overtightening may crack the regulator resulting in a gas leak and possible fire or explosion.

Assemble the flexible conduit from the gas supply pipe to the pressure regulator in this order:

- 1- manual shutoff valve, 2- flare union adaptor, 3- flexible conduit, 4- flare union adaptor, 5- pressure regulator.

The gas supply line to the shutoff valve should be 1/2" or 3/4" solid pipe.

The user must know the location of the main shutoff valve and have easy access to it.

When using flexible gas conduit on the range, allow sufficient slack to pull the range outside the cutout for cleaning or servicing.

NOTE: Do not allow the flexible conduit to get pinched between the wall and the range. To visually check, remove the range drawer.

Use pipe-joint compound made for use with Natural and LP/Propane gas to seal all gas connections. If flexible conduit is used, be certain that it is not kinked.

Leak testing of the appliance shall be conducted according to the manufacturer's instructions.

Check for leaks. After connecting the range to the gas supply, check the system for leaks with a manometer. If a manometer is not available, turn on the gas supply and use a liquid leak detector at all joints and connections to check for leaks.

WARNING Do not use a flame to check for leaks from gas connections. Checking for leaks with a flame may result in a fire or explosion.

All openings in the wall or floor where the range is to be installed must be sealed.

Tighten all connections if necessary to prevent gas leakage in the cooktop or supply line.

Check alignment of valves after connecting the cooktop to the gas supply to be sure the manifold pipe has not been moved.

Disconnect the range and its individual shutoff valve from the gas supply piping system during any pressure testing of the system at test pressures greater than 1/2 psig (3.5 kPa or 14" water column).

LP/Propane Gas Conversion

This appliance can be used with Natural Gas or Propane Gas. It is shipped from the factory for use with natural gas.

40" DUAL FUEL RANGE INSTALLATION INSTRUCTIONS

(Models with Electric Ovens and Gas Cooktop)

If you wish to convert your range for use with LP/Propane gas, use the supplied fixed orifices; they are contained in a special bag along with instructions marked "FOR LP/PROPANE GAS CONVERSION", **located on the back of the range, close to the appliance regulator valve.**

The conversion must be performed by a qualified installer, LP supplier or service technician in accordance with the installation instructions furnished with this range and all codes and requirements of all local codes and requirements. Failure to follow instructions could result in serious injury or property damage. The qualified agency performing this work assumes responsibility for the conversion.

⚠ WARNING Failure to make the appropriate conversion can result in personal injury and property damage.

⚠ CAUTION Any additions, changes or conversions required in order for this appliance to satisfactorily meet the application needs must be made by an authorized Sears Service Center, Distributor or Qualified Agency.

Moving the Appliance for Servicing and Cleaning

Turn off the range line fuse or circuit breakers at the main power source, and turn off the manual gas shut-off valve. Make sure the range is cold. Remove the service drawer and open the oven door. Lift the range at the front and slide it out of the cut-out opening without creating undue strain on the flexible gas conduit.

Isolate the range from the gas supply piping system by closing its individual manual shutoff valve during any pressure testing of the gas supply piping system at test pressures equal to or less than 1/2 psig (3.5kPa or 14" water column).

Make sure not to pinch the flexible gas conduit at the back of the range when replacing the unit into the cut-out opening. Replace the drawer, close the door and switch on the electrical power and gas to the range.

If the pressure regulator is connected to rigid piping, the regulator must be disconnected before moving the appliance.

Reassemble in reverse order (see figure 3).

Range Installation

⚠ CAUTION When unpacking the range, do not discard the 4 shipping bolts. These are to be replaced on the unit for use as leveling legs and height adjustments.

NOTE:

1. The back of the range may be installed directly against the wall.
2. To reduce possible scorching of vertical walls and to minimize potential fire hazards under abnormal surface unit use conditions such as high heat or no pans and to conform to A.G.A. requirements, a minimum of 2 1/2" (6.4 cm) spacing should be provided on both sides of the cooktop.

Preparation

⚠ WARNING

Excessive Weight Hazard

- **Use 2 or more people to move and install range.**
- **Failure to follow this instruction can result in back or other injury.**

1. Put on safety glasses and gloves. Remove oven racks and parts package from inside the oven. Remove shipping materials, tape and protective film from the range.
2. Take 4 cardboard corners from the carton. Stack one on top of another. Repeat with other 2 corners. Place corners lengthwise on the floor in back of the range to support range.
3. Firmly grasp the range and gently lay it on its back on the cardboard corners.
4. Remove and save the 4 shipping bolts from the skid. Discard skid.
5. Install 4 shipping bolts as leveling legs.
6. Lay a large piece of cardboard in front of the range. Carefully stand the range upright on cardboard.
7. Adjust the leveling legs to a point where the range base does not touch the floor.

40" DUAL FUEL RANGE INSTALLATION INSTRUCTIONS

(Models with Electric Ovens and Gas Cooktop)

Leveling the Range

Level the range and set cooktop height before installation in the cut-out opening (if applicable).

1. Install an oven rack in the center of the oven.
2. Place a level on the rack (see figure 4). Take 2 readings with the level placed diagonally in one direction and then the other. Level the range, if necessary, by adjusting the 4 leveling legs with a wrench (see Figure 8).
3. Slide range into cut-out opening and double check for levelness. If the range is not level, pull unit out and readjust leveling legs, or make sure floor is level.

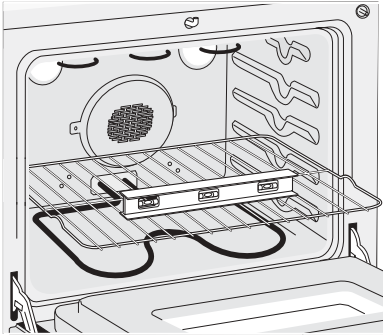


Figure 4

Check Operation

Refer to the Use and Care Guide and the Electronic Oven Control Guide packaged with the range for operating instructions and for care and cleaning of your range.

Remove all packaging from the oven before testing.

1. Install Burner Bases and Burner Caps

This range is equipped with sealed burners as shown (see Figure 5).

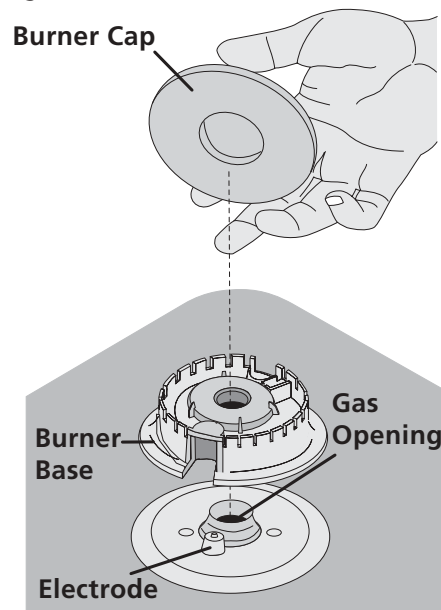


Figure 5

- a. Unpack burner bases and burner caps.
- b. Place burner bases over each gas opening.
- c. Make sure the burner is properly aligned and leveled. Place burner caps over appropriate burner bases.

NOTE: There are no burner adjustments necessary on this range.

40" DUAL FUEL RANGE INSTALLATION INSTRUCTIONS

(Models with Electric Ovens and Gas Cooktop)

2. Turn on Electrical Power and Open Main Shutoff Gas Valve

3. Check the Igniters

Operation of electric igniters should be checked after range and supply line connectors have been carefully checked for leaks and range has been connected to electric power. To check for proper lighting:

- Push in and turn a surface burner knob to the LITE position. You will hear the igniter sparking.
- The surface burner should light when gas is available to the top burner. Each burner should light within four (4) seconds in normal operation after air has been purged from supply lines. Visually check that burner has lit.
- Once the burner lights, the control knob should be rotated out of the LITE position.

There are separate ignition devices for each burner. Try each knob separately until all burner valves have been checked.

4. Adjust the "LOW" Setting of Surface Burner Valves (see Figure 6)

- Push in and turn each control to LITE until burner ignites.
- Quickly** turn knob to LOWEST POSITION.
- If burner goes out, readjust valve as follows: Reset control to OFF. Remove the surface burner control knob, insert a thin-bladed screwdriver into the hollow valve stem and engage the slotted screw inside. Flame size can be increased or decreased with the turn of the screw. Adjust flame until you can quickly turn knob from LITE to LOWEST POSITION without extinguishing the flame. Flame should be as small as possible without going out.

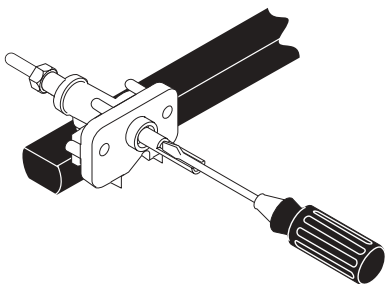


Figure 6

5. Operation of Oven Elements

The oven is equipped with an electronic oven control. Each of the functions has been factory checked before shipping. However, it is suggested that you verify the operation of the electronic oven controls once more. Refer to the Use and Care Guide for operation. Follow the instructions for the Clock, Timer, Bake, Broil, Convection (some models) and Clean (some models) functions.

CAUTION When checking oven element operation, do not touch the elements. They will be hot enough to cause serious burns.

Bake—After setting the oven to 350°F (177°C) for baking, the lower element in the oven should become red.

Broil—When the oven is set to BROIL, the upper element in the oven should become red.

Clean (some models)—When the oven is set for a self-cleaning cycle, the upper element should become red during the preheat portion of the cycle. After reaching the self-cleaning temperature, the lower element will become red.

Convection (some models)—When the oven is set to CONV. BAKE/ROAST at 350°F (177°C), both elements cycle on and off alternately and the convection fan will turn. The convection fan will stop turning when the oven door is opened during convection baking or roasting.

When All Hookups are Complete

Make sure all controls are left in the OFF position.

Model and Serial Number Location

The serial plate is located on the drawer side frame.

When ordering parts for or making inquiries about your range, always be sure to include the model and serial numbers and a lot number or letter from the serial plate on your range.

Before You Call for Service

Read the Avoid Service Checklist and operating instructions in your Use and Care Guide. It may save you time and expense. The list includes common occurrences that are not the result of defective workmanship or materials in this appliance.

Refer to the warranty and service information in your Use and Care Guide for our phone number and address. Please call or write if you have inquiries about your range product and/or need to order parts.

40" DUAL FUEL RANGE INSTALLATION INSTRUCTIONS

(Models with Electric Ovens and Gas Cooktop)

Important Safety Warning

To reduce the risk of tipping of the range, the range must be secured to the floor by properly installed anti-tip brackets and screws packed with the range. Those parts are located in a plastic bag in the oven. Failure to install the anti-tip brackets will allow the range to tip over if excessive weight is placed on an open door or if a child climbs upon it. Serious injury might result from spilled hot liquids or from the range itself.

Follow the instructions below to install the anti-tip brackets.

If range is ever moved to a different location, the anti-tip brackets must also be moved and installed with the range. To check for proper installation, see step 5.

Tools Required:

5/16" (8 mm) Nutdriver or Flat Head Screwdriver
Adjustable Wrench
Electric Drill
3/16" (4.8 mm) Diameter Drill Bit
3/16" (4.8 mm) Diameter Masonry Drill Bit (if installing in concrete)

Anti-tip Bracket Installation

Brackets attach to the floor at the back of the range to hold both rear leg levelers. When fastening to the floor, be sure that screws do not penetrate electrical wiring or plumbing. The screws provided will work in either wood or concrete.

1. Unfold paper template and place it flat on the floor with the back and side edges positioned exactly where the back and sides of range will be located when installed. (Use the diagram in figure 7 to locate brackets if template is not available.)
2. Mark on the floor the location of the 4 mounting holes (2 holes per bracket) shown on the template. For easier installation, 3/16" (4.8 mm) diameter pilot holes 1/2" (1.3 cm) deep can be drilled into the floor.
3. Remove template and place brackets on floor with turned up flanges to the outside (see figure 7). Line up holes in brackets with marks on floor and attach with 4 screws provided (2 screws per bracket). Brackets must be secured to solid floor. If attaching to concrete floor, first drill 3/16" (4.8 mm) dia. pilot holes using a masonry drill bit.
4. Level range if necessary, by adjusting the 4 leveling legs with a wrench. (See Figure 8 below.) A minimum clearance of 1/8" (3.2 mm) is required between the bottom of the range and the rear leveling legs to allow room for the anti-tip brackets.
5. Slide range into place making sure rear legs are trapped by ends of brackets. Range may need to be shifted slightly to one side as it is being pushed back to allow rear legs to align with brackets.
6. After installation, verify that the anti-tip bracket is engaged. Open and remove drawer and check to make sure the anti-tip bracket is engaged.

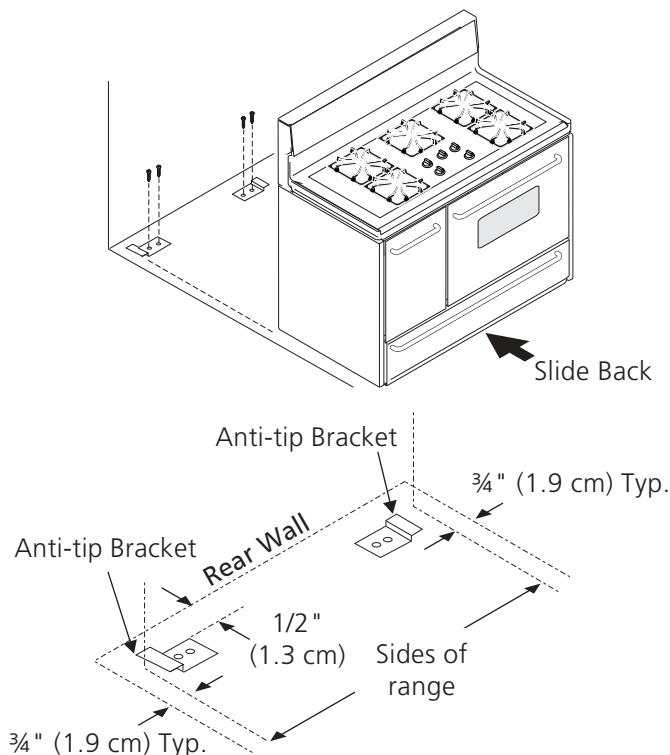


Figure 7

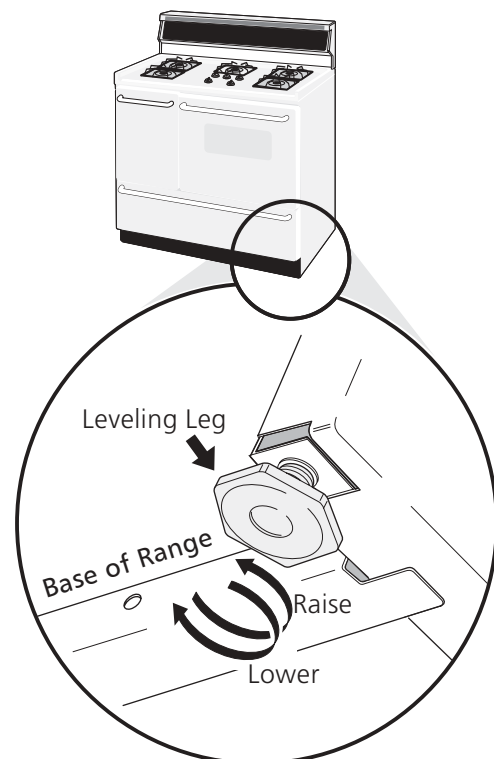
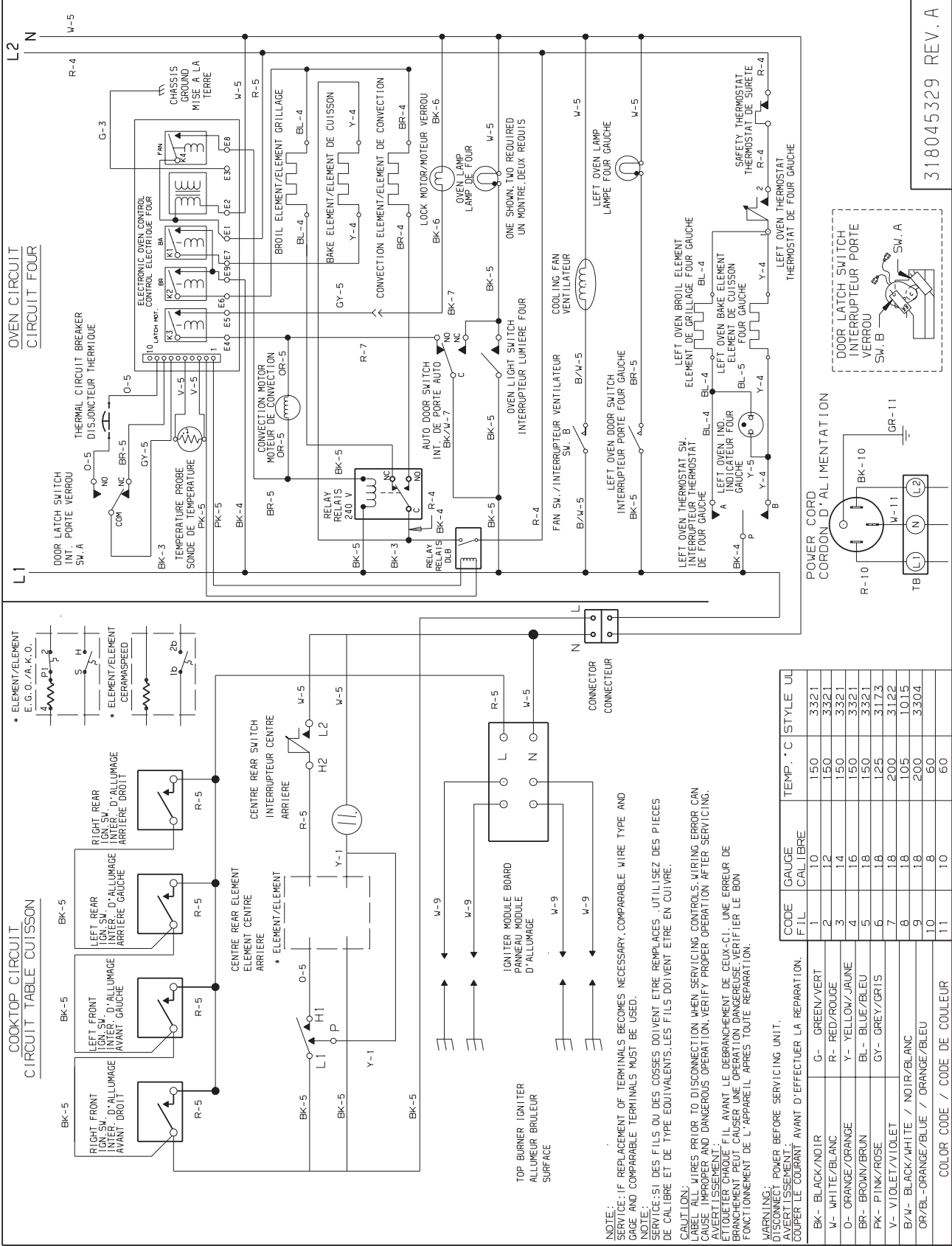


Figure 8

WIRING DIAGRAM



NOTE: IF REPLACEMENT OF TERMINALS BECOMES NECESSARY, COMPARABLE WIRE TYPE AND GAGE AND COMPARABLE TERMINALS MUST BE USED.

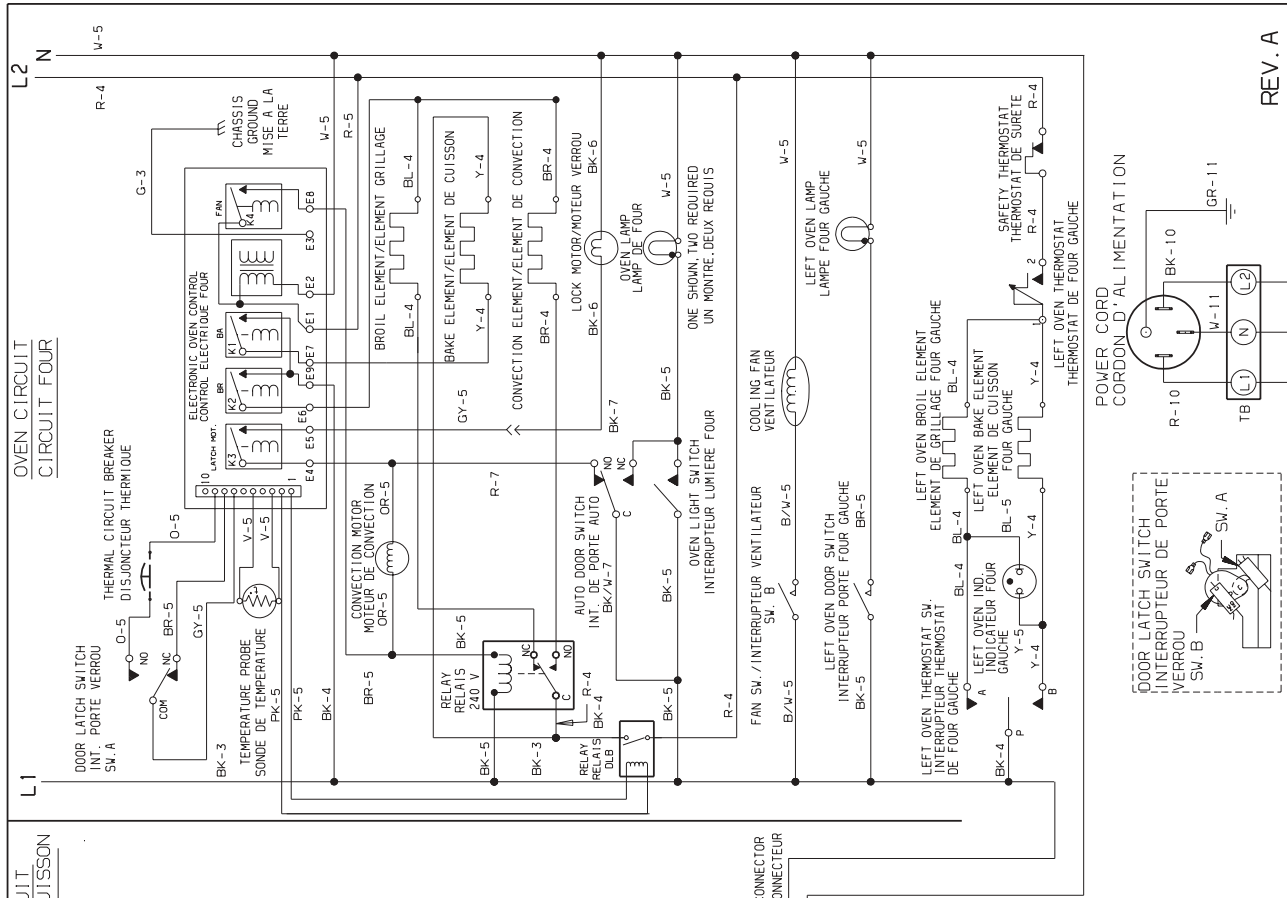
NOTE: SERVICE: SI DES FLS OU DES COSSES DOIVENT ETRE REMPLACES, UTILISEZ DES PIECES DE CALIBRE ET DE TYPE EQUIVALENTS, LES FLS DOIVENT ETRE EN COUVRE.

CAUTION: LABEL ALL WIRES PRIOR TO DISCONNECTION WHEN SERVICING CONTROLS. WIRING ERROR CAN CAUSE IMPROPER AND DANGEROUS OPERATION. VERIFY PROPER OPERATION AFTER SERVICING. AVERTISSEMENT: ETIQUETER CHAQUE FIL AVANT LE DEBRANCHEMENT DE CEUX CI. UNE ERREUR DE BRANCHEMENT PEUT CAUSER UN OPERATIONS DANGEREUSE. VERIFIER LE BON FONCTIONNEMENT DE L'APPAREIL APRES TOUTE REPARATION.

WARNING: DISCONNECT POWER BEFORE SERVICING UNIT. AVERTISSEMENT: COUPER LE COURANT AVANT D'EFFECTUER LA REPARATION.

318045329 REV. A

WIRING DIAGRAM



OVEN CIRCUIT
CIRCUIT FOUR

COOKTOP CIRCUIT
CIRCUIT TABLE CUISSON

REV. A

NOTE: IF REPLACEMENT OF TERMINALS BECOMES NECESSARY, COMPARABLE WIRE TYPE AND GAUGE AND COMPARABLE TERMINALS MUST BE USED.

NOTE: SI DES FILS OU DES COTES DOIVENT ETRE REMPLACES, UTILISEZ DES PIECES DE CALIBRE ET DE TYPE EQUIVALENTS, LES FILS DOIVENT ETRE EN CUIVRE.

CAUTION: WIRES PRIOR TO DISCONNECTION WHEN SERVICING CONTROLS. WIRING ERROR CAN CAUSE IMPROPER AND DANGEROUS OPERATION. VERIFY PROPER OPERATION AFTER SERVICING.

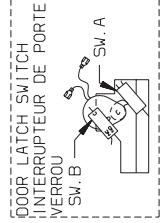
AVERTISSEMENT: ETIQUETER CHAQUE FIL AVANT LE DEBRANCHEMENT DE CEUX-CI. UNE ERREUR DE BRANCHEMENT PEUT CAUSER UNE OPERATION DANGEREUSE. VERIFIER LE BON FONCTIONNEMENT DE L'APPAREIL APRES TOUTE REPARATION.

WARNING: DISCONNECT POWER BEFORE SERVICING UNIT.

AVERTISSEMENT: COUPER LE COURANT AVANT D'EFFECTUER LA REPARATION.

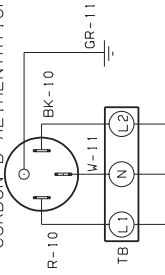
CODE FIL	GAUGE CALIBRE	TEMP. °C	STYLE	UL
BK-	10	150		3321
W-	12	150		3321
O-	14	150		3321
BR-	16	150		3321
PK-	18	150		3321
V-	18	125		3173
B/W-	18	200		3122
OR/BL-	18	200		3304
	8	60		
	10	60		

COLOR CODE / CODE DE COULEUR



DOOR LATCH SWITCH
INTERRUPTEUR DE PORTE
VERROU
SM.A

POWER CORD
CORDON D'ALIMENTATION



LEFT OVEN THERMOSTAT
THERMOSTAT DE FOUR GAUCHE

LEFT OVEN THERMOSTAT
THERMOSTAT DE SURETE

LEFT OVEN DOOR SWITCH
INTERRUPTEUR PORTE FOUR GAUCHE

LEFT OVEN BROIL ELEMENT
ELEMENT DE GRILLAGE FOUR GAUCHE

LEFT OVEN BAKE ELEMENT
ELEMENT DE CUISSON FOUR GAUCHE

LEFT OVEN THERMOSTAT
THERMOSTAT DE FOUR GAUCHE

LEFT OVEN THERMOSTAT
THERMOSTAT DE SURETE

LEFT OVEN DOOR SWITCH
INTERRUPTEUR PORTE FOUR GAUCHE

LEFT OVEN LAMP
LAMPE FOUR GAUCHE

OVEN LIGHT SWITCH
INTERRUPTEUR LUMIERE FOUR

OVEN LIGHT SWITCH
INTERRUPTEUR LUMIERE FOUR

OVEN LIGHT SWITCH
INTERRUPTEUR LUMIERE FOUR

OVEN LIGHT SWITCH
INTERRUPTEUR LUMIERE FOUR

OVEN LIGHT SWITCH
INTERRUPTEUR LUMIERE FOUR

OVEN LIGHT SWITCH
INTERRUPTEUR LUMIERE FOUR

OVEN LIGHT SWITCH
INTERRUPTEUR LUMIERE FOUR

OVEN LIGHT SWITCH
INTERRUPTEUR LUMIERE FOUR

OVEN LIGHT SWITCH
INTERRUPTEUR LUMIERE FOUR

OVEN LIGHT SWITCH
INTERRUPTEUR LUMIERE FOUR

OVEN LIGHT SWITCH
INTERRUPTEUR LUMIERE FOUR

OVEN LIGHT SWITCH
INTERRUPTEUR LUMIERE FOUR

OVEN LIGHT SWITCH
INTERRUPTEUR LUMIERE FOUR

OVEN LIGHT SWITCH
INTERRUPTEUR LUMIERE FOUR

OVEN LIGHT SWITCH
INTERRUPTEUR LUMIERE FOUR

OVEN LIGHT SWITCH
INTERRUPTEUR LUMIERE FOUR

OVEN LIGHT SWITCH
INTERRUPTEUR LUMIERE FOUR

OVEN LIGHT SWITCH
INTERRUPTEUR LUMIERE FOUR

OVEN LIGHT SWITCH
INTERRUPTEUR LUMIERE FOUR

OVEN LIGHT SWITCH
INTERRUPTEUR LUMIERE FOUR

OVEN LIGHT SWITCH
INTERRUPTEUR LUMIERE FOUR

OVEN LIGHT SWITCH
INTERRUPTEUR LUMIERE FOUR

OVEN LIGHT SWITCH
INTERRUPTEUR LUMIERE FOUR

OVEN LIGHT SWITCH
INTERRUPTEUR LUMIERE FOUR

OVEN LIGHT SWITCH
INTERRUPTEUR LUMIERE FOUR

OVEN LIGHT SWITCH
INTERRUPTEUR LUMIERE FOUR

OVEN LIGHT SWITCH
INTERRUPTEUR LUMIERE FOUR

OVEN LIGHT SWITCH
INTERRUPTEUR LUMIERE FOUR

OVEN LIGHT SWITCH
INTERRUPTEUR LUMIERE FOUR

OVEN LIGHT SWITCH
INTERRUPTEUR LUMIERE FOUR

OVEN LIGHT SWITCH
INTERRUPTEUR LUMIERE FOUR

OVEN LIGHT SWITCH
INTERRUPTEUR LUMIERE FOUR

OVEN LIGHT SWITCH
INTERRUPTEUR LUMIERE FOUR

OVEN LIGHT SWITCH
INTERRUPTEUR LUMIERE FOUR

OVEN LIGHT SWITCH
INTERRUPTEUR LUMIERE FOUR

OVEN LIGHT SWITCH
INTERRUPTEUR LUMIERE FOUR

OVEN LIGHT SWITCH
INTERRUPTEUR LUMIERE FOUR

OVEN LIGHT SWITCH
INTERRUPTEUR LUMIERE FOUR

OVEN LIGHT SWITCH
INTERRUPTEUR LUMIERE FOUR

OVEN LIGHT SWITCH
INTERRUPTEUR LUMIERE FOUR

OVEN LIGHT SWITCH
INTERRUPTEUR LUMIERE FOUR

OVEN LIGHT SWITCH
INTERRUPTEUR LUMIERE FOUR

OVEN LIGHT SWITCH
INTERRUPTEUR LUMIERE FOUR

OVEN LIGHT SWITCH
INTERRUPTEUR LUMIERE FOUR

OVEN LIGHT SWITCH
INTERRUPTEUR LUMIERE FOUR

OVEN LIGHT SWITCH
INTERRUPTEUR LUMIERE FOUR

OVEN LIGHT SWITCH
INTERRUPTEUR LUMIERE FOUR

OVEN LIGHT SWITCH
INTERRUPTEUR LUMIERE FOUR

OVEN LIGHT SWITCH
INTERRUPTEUR LUMIERE FOUR

OVEN LIGHT SWITCH
INTERRUPTEUR LUMIERE FOUR

OVEN LIGHT SWITCH
INTERRUPTEUR LUMIERE FOUR

OVEN LIGHT SWITCH
INTERRUPTEUR LUMIERE FOUR

OVEN LIGHT SWITCH
INTERRUPTEUR LUMIERE FOUR

OVEN LIGHT SWITCH
INTERRUPTEUR LUMIERE FOUR

OVEN LIGHT SWITCH
INTERRUPTEUR LUMIERE FOUR

OVEN LIGHT SWITCH
INTERRUPTEUR LUMIERE FOUR

OVEN LIGHT SWITCH
INTERRUPTEUR LUMIERE FOUR

OVEN LIGHT SWITCH
INTERRUPTEUR LUMIERE FOUR

OVEN LIGHT SWITCH
INTERRUPTEUR LUMIERE FOUR

OVEN LIGHT SWITCH
INTERRUPTEUR LUMIERE FOUR

OVEN LIGHT SWITCH
INTERRUPTEUR LUMIERE FOUR

OVEN LIGHT SWITCH
INTERRUPTEUR LUMIERE FOUR

OVEN LIGHT SWITCH
INTERRUPTEUR LUMIERE FOUR

OVEN LIGHT SWITCH
INTERRUPTEUR LUMIERE FOUR

OVEN LIGHT SWITCH
INTERRUPTEUR LUMIERE FOUR

OVEN LIGHT SWITCH
INTERRUPTEUR LUMIERE FOUR

OVEN LIGHT SWITCH
INTERRUPTEUR LUMIERE FOUR

OVEN LIGHT SWITCH
INTERRUPTEUR LUMIERE FOUR

OVEN LIGHT SWITCH
INTERRUPTEUR LUMIERE FOUR

OVEN LIGHT SWITCH
INTERRUPTEUR LUMIERE FOUR

OVEN LIGHT SWITCH
INTERRUPTEUR LUMIERE FOUR

OVEN LIGHT SWITCH
INTERRUPTEUR LUMIERE FOUR

OVEN LIGHT SWITCH
INTERRUPTEUR LUMIERE FOUR

OVEN LIGHT SWITCH
INTERRUPTEUR LUMIERE FOUR

OVEN LIGHT SWITCH
INTERRUPTEUR LUMIERE FOUR

OVEN LIGHT SWITCH
INTERRUPTEUR LUMIERE FOUR

OVEN LIGHT SWITCH
INTERRUPTEUR LUMIERE FOUR

OVEN LIGHT SWITCH
INTERRUPTEUR LUMIERE FOUR

OVEN LIGHT SWITCH
INTERRUPTEUR LUMIERE FOUR

OVEN LIGHT SWITCH
INTERRUPTEUR LUMIERE FOUR

OVEN LIGHT SWITCH
INTERRUPTEUR LUMIERE FOUR

OVEN LIGHT SWITCH
INTERRUPTEUR LUMIERE FOUR

OVEN LIGHT SWITCH
INTERRUPTEUR LUMIERE FOUR

OVEN LIGHT SWITCH
INTERRUPTEUR LUMIERE FOUR

OVEN LIGHT SWITCH
INTERRUPTEUR LUMIERE FOUR

OVEN LIGHT SWITCH
INTERRUPTEUR LUMIERE FOUR

OVEN LIGHT SWITCH
INTERRUPTEUR LUMIERE FOUR

OVEN LIGHT SWITCH
INTERRUPTEUR LUMIERE FOUR

INSTRUCTIONS D'INSTALLATION POUR CUISINIÈRE 40" À ALIMENTATION MIXTE (Modèles avec four électrique et table de cuisson à gaz)

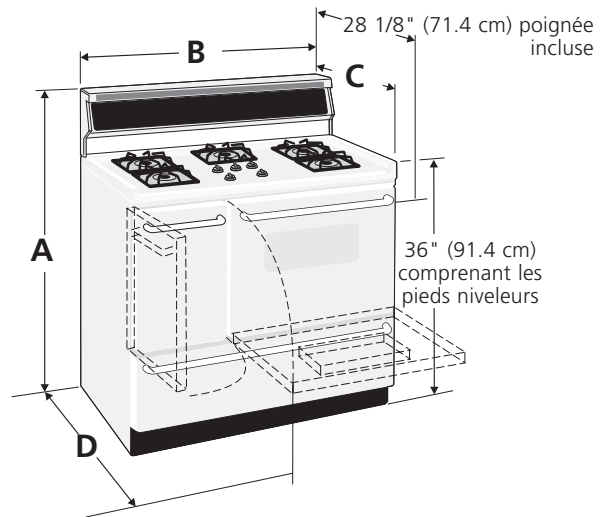
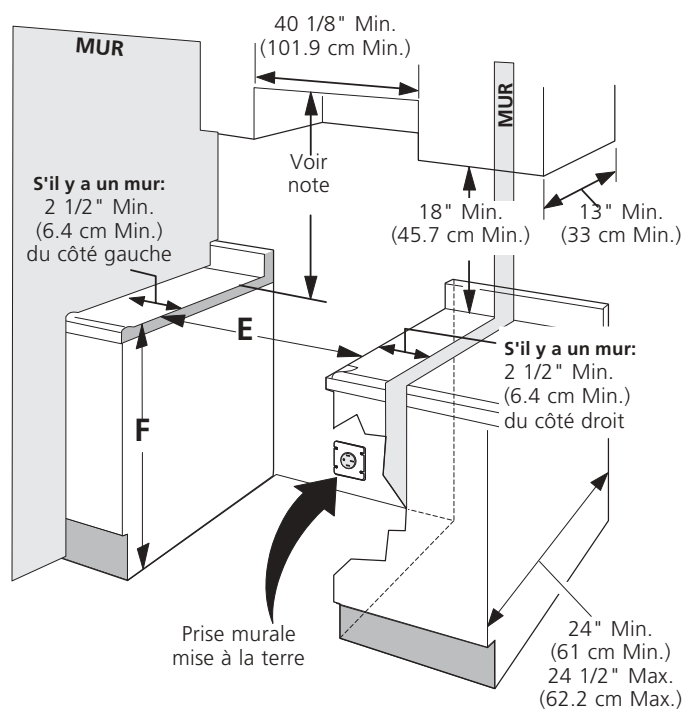


UN INSTALLATEUR QUALIFIÉ DOIT EFFECTUER L'INSTALLATION ET LE SERVICE IMPORTANT: CONSERVEZ CES INSTRUCTIONS POUR LES INSPECTEURS LOCAUX. LISEZ CES INSTRUCTIONS ET CONSERVEZ-LES POUR RÉFÉRENCES ULTÉRIEURES.

AVERTISSEMENT Si les instructions de ce manuel ne sont pas suivies à la lettre, il pourrait en résulter un incendie ou une explosion susceptible de causer des dommages matériels, des blessures ou même la mort.

POUR VOTRE SÉCURITÉ:

- N'entreposez et n'utilisez pas d'essence ou d'autres produits inflammables à proximité de cet appareil ou de tout autre appareil.
- **QUE FAIRE SI VOUS DÉCELEZ UNE ODEUR DE GAZ:**
 - Ne tentez d'allumer aucun appareil.
 - N'actionnez aucun interrupteur électrique; n'utilisez aucun appareil téléphonique de l'édifice.
 - Communiquez immédiatement avec votre fournisseur de gaz en vous servant du téléphone d'un voisin. Suivez les instructions que le fournisseur vous donnera.
 - S'il vous est impossible de rejoindre votre distributeur de gaz, communiquez avec le service d'incendie.
- L'installation et l'entretien doivent être effectués par un installateur qualifié, un service d'entretien ou de réparation accrédité ou le distributeur de gaz.



****NOTE:** Dégagement minimum de 24" (76.2 cm) entre la plaque de cuisson et la bas de l'armoire du haut lorsque le dessous de l'armoire en bois ou en métal est protégé par un celloderme retardateur de flammes d'un minimum de 1/4" (0.64 cm) recouvert d'une feuille de métal MSG No. 28, d'acier inoxydable d'un minimum de 0.015" (0.4 mm), d'aluminium de 0.024" (0.6 mm) ou de cuivre de 0.020" (0.5 mm).

Dégagement minimum de 30" (91.4 cm) lorsque l'armoire n'est pas protégée.

A. HAUTEUR	B. LARGEUR	C. PROFONDEUR À L'AVANT DE LA CUISINIÈRE	D. PROFONDEUR AVEC LA PORTE OUVERTE	E. LARGEUR DE DÉCOUPAGE MINIMALE	F. HAUTEUR DU DESSUS DU COMPTOIR
46 3/4" (118.7 cm)	40 1/8" (101.9 cm)	25 7/8" (65.7 cm)	43 3/4" (111.1 cm)	40 1/4" (102.2 cm)	36" (91.4 cm) standard 35 3/8" (90 cm) min.

INSTRUCTIONS D'INSTALLATION POUR CUISINIÈRE 40" À ALIMENTATION MIXTE (Modèles avec four électrique et table de cuisson à gaz)

Notes importantes à l'Installateur

1. Lisez toutes les instructions contenues dans les Instructions d'installation avant d'installer la cuisinière.
2. Enlevez tout le matériel d'emballage des compartiments du four avant de connecter l'alimentation à gaz et électrique à la cuisinière. (voir "Préparation", page 5).
3. Récupérez et installez les 4 vis d'emballage, elles servent de pieds de nivellement (voir mise à niveau de la cuisinière à la page 6).
4. Les 2 supports anti-basculer situés à l'arrière au bas de l'appareil doivent être récupéré et installé. (voir installation des supports anti-basculer à la page 8).
5. Respectez tous les codes et règlements applicables.
6. N'oubliez pas de laisser ces instructions au consommateur.


Note importante au consommateur

Conservez ces instructions avec le guide de l'utilisateur pour référence ultérieure.

INSTRUCTIONS DE SÉCURITÉ IMPORTANTES

Cette cuisinière doit être installée conformément aux règlements locaux, ou en leur absence, aux normes CAN/ACG-B149.1 et CAN/ACG-B149.2.

La conception de cette cuisinière a été approuvée par International Approval Services. Il faut prendre certaines précautions d'usage lors de l'utilisation de tout appareil fonctionnant au gaz naturel ou produisant de la chaleur. Vous trouverez celles-ci dans votre [Guide d'utilisateur](#), lisez-les avec attention.

	⚠ AVERTISSEMENT <ul style="list-style-type: none">• Toutes les cuisinières peuvent basculer.• Des blessures pourraient survenir.• Installer les supports qui accompagnent la cuisinière.	⚠ AVERTISSEMENT <p>Pour prévenir tout risque de basculement de la cuisinière, elle doit être fixé correctement au plancher à l'aide des supports qui l'accompagnent. Pour vérifier si les supports sont installés correctement, retirer le tiroir de rangement et s'assurer que les supports sont enclenchés.</p>
---	---	--

- **Assurez-vous que votre cuisinière est correctement installée et mise à la terre par un installateur ou un technicien d'entretien qualifié.**
- **Le circuit électrique de cette cuisinière doit être mis à la terre conformément** aux règlements locaux, ou en leur absence, à la norme canadienne d'électricité, ACNOR C22.1, partie 1.
- L'installation d'appareils conçus pour les maisons (mobiles) doit se conformer aux normes de la Manufactured Home Construction and Safety Standard, titre 24CFR, partie 3280 (antérieurement Federal Standard for Mobile Home Construction and Safety, titre 24, HUD (partie 280)) ou en leur absence, aux normes de

la Manufactured Home Installation 1982 (Manufactured Home Sites, Communities and Setups), ANSI Z225.1/ NFPA 501A-dernière édition, ou aux codes locaux. Lorsque l'installation se fait au Canada, elle doit se conformer à la norme CAN/ACNOR-Z240 MH.

- **Assurez-vous que la tapisserie à proximité du four peut résister à la chaleur générée par la cuisinière.**
- **Avant d'installer la cuisinière à un endroit recouvert de linoléum ou de tout autre couvre-plancher synthétique, assurez-vous que celui-ci peut résister à un minimum de 90°F (32.2°C) de chaleur au-dessus de la température de la pièce sans se rapetisser, se déformer ou se décolorer.** N'installez pas la cuisinière sur un tapis, à moins de placer un tampon isolant ou une feuille de contreplaqué d'une épaisseur de ¼" (0.6 cm) entre la cuisinière et le tapis.
- **Ne bloquez pas la circulation d'air à l'orifice de ventilation du four ni autour de la base ou sous le panneau inférieur avant de la cuisinière.** Évitez de toucher les ouvertures de l'orifice de ventilation ou les surfaces avoisinantes car elles risquent de devenir chaudes lorsque le four fonctionne. Les brûleurs ont besoin d'air frais pour assurer une bonne combustion.

⚠ AVERTISSEMENT **Ne laissez jamais les enfants seuls ou sans surveillance près d'un appareil en fonctionnement.** Apprenez-leur à utiliser les appareils électro-ménagers de façon sécuritaire et appropriée. Ne laissez jamais la porte du four ouverte lorsque la cuisinière est sans surveillance.

⚠ AVERTISSEMENT **Le fait de monter sur les portes ou les tiroirs de cette cuisinière, de s'y appuyer ou de s'y asseoir peut occasionner des blessures graves, et endommager l'appareil.**

- **N'entrez pas d'objets susceptibles d'intéresser les enfants dans les armoires situées au-dessus de la cuisinière.** Ils risquent de se brûler sérieusement s'ils tentent de grimper sur l'appareil.
- **Évitez de placer des armoires de rangement au-dessus des brûleurs afin d'éliminer les gestes inutiles au-dessus de ceux-ci.**
- **Réglez la flamme du brûleur pour qu'elle ne dépasse pas le bord de l'ustensile utilisé pour la cuisson.** Une flamme excessive est dangereuse.
- **N'utilisez pas le four à des fins de rangement.** Ceci génère une situation éventuellement dangereuse.
- **N'utilisez jamais votre cuisinière pour réchauffer ou chauffer la pièce.** L'utilisation prolongée de la cuisinière sans une ventilation adéquate peut s'avérer dangereuse.
- **Ne gardez pas de produits combustibles, d'essence et d'autres produits inflammables à proximité de cet appareil ou de tout autre appareil.** Il pourrait en résulter des explosions ou un incendie.
- Lors d'une panne de courant électrique, les brûleurs de surface peuvent être allumés manuellement; placez une allumette allumée près de la tête du brûleur et tournez lentement le bouton de commande de surface à la

INSTRUCTIONS D'INSTALLATION POUR CUISINIÈRE 40" À ALIMENTATION MIXTE (Modèles avec four électrique et table de cuisson à gaz)

position LITE. Redoublez de prudence si vous allumez un brûleur de surface manuellement.

- **Remplacez toutes les commandes à la position arrêt «off»** après l'utilisation d'une fonction programmable chronométrée.

⚠ AVERTISSEMENT Cet appareil comprend une fiche de courant à quatre broches incluant celle de la mise à la terre pour vous protéger contre les chocs électriques. Branchez cette fiche directement dans une prise de courant correctement mise à la terre. Ne coupez pas ou n'enlevez pas la broche de mise à la terre de la fiche.

POUR LES MODÈLES MUNIS DE L'AUTO-NETTOYAGE:

- **Enlevez la lèchefrite, les aliments et les autres ustensiles avant l'auto-nettoyage du four.** Essayez tous les renversements excessifs. Suivez les instructions pour le pré-nettoyage dans le [Guide de l'utilisateur](#).

Modèles avec cordon d'alimentation branché en usine

cette cuisinière est munie d'un cordon d'alimentation branché en usine (voir Figure 1). Il doit être connecté à une prise d'alimentation de 120/240 volt, mise à la terre, ou à une prise de courant pour cuisinières de 120/208 volt. Si aucune prise d'alimentation n'est disponible, demandez à un électricien compétent d'en installer une.

NOTE : Voir le schéma de câblage à la fin de ce manuel.

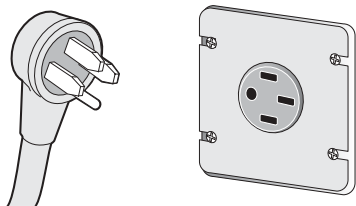


Figure 1

⚠ AVERTISSEMENT

Risque de choc électrique

- La mise à la terre de cet appareil est obligatoire.
- Ne branchez pas l'appareil au circuit électrique avant qu'il soit mis à la terre correctement, en permanence.
- Interrompez le courant dans la boîte de jonction avant d'effectuer la connexion électrique.
- Cet appareil doit être branché à un système de câblage métallique, mis à la terre en permanence, ou un connecteur mis à la terre doit être branché à la borne de mise à la terre ou directement sur l'appareil.
- N'utilisez pas la ligne d'alimentation en gaz pour la mise à la terre de l'appareil.

Si vous ne suivez pas les instructions précitées à la lettre, il peut en résulter un incendie, des blessures ou un choc électrique.

Emplacement de la cuisinière

⚠ MISE EN GARDE Pour éliminer les risques de brûlures ou de feu, en étendant le bras au-dessus des surfaces de cuisson chaudes, évitez d'installer des armoires au-dessus de ces dernières. Si vous devez en installer, il est possible de réduire le risque en plaçant une hotte pour cuisinière qui excède horizontalement d'un minimum de 5" (12.7 cm) la base de l'armoire.

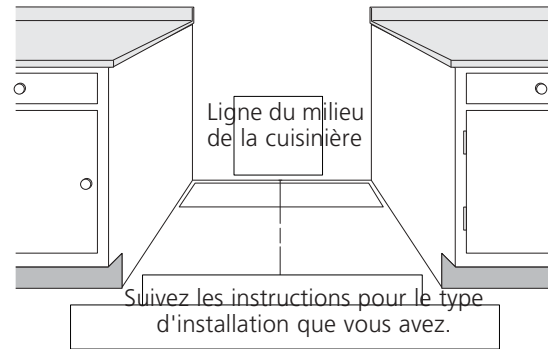


Figure 2

Si la cuisinière est installée entre deux armoires, dessinez une ligne au centre des armoires (voir figure 2).

Si le dos de l'appareil n'est pas appuyé au mur (la position de la prise d'alimentation ne permet peut-être pas à l'appareil de se reculer complètement au mur), dessinez une ligne à l'endroit où l'arrière de l'appareil sera positionné. Installez maintenant les supports anti-basculer (voir "Installation des supports anti-basculer" à la page 8).

Si la cuisinière est installée avec une armoire d'un côté seulement, placez l'appareil à la position finale voulue. Dessinez une ligne sur le plancher le long de l'appareil du côté où il n'y a pas d'armoire. **Si le dos de l'appareil n'est pas appuyé au mur** (la position de la prise d'alimentation ne permet peut-être pas à l'appareil de se reculer complètement au mur), dessinez une ligne à l'endroit où l'arrière de l'appareil sera positionné. Installez maintenant les supports anti-basculer (voir "Installation des supports anti-basculer" à la page 8).

Si la cuisinière est installée sans armoire, placez l'appareil à sa position finale. Dessinez une ligne sur le plancher le long de l'appareil de chaque côté. **Si le dos de l'appareil n'est pas appuyé au mur** (la position de la prise d'alimentation ne permet peut-être pas à l'appareil de se reculer complètement au mur), dessinez une ligne où l'arrière de l'appareil sera positionné. Installez maintenant les supports anti-basculer (voir "Installation des supports anti-basculer" à la page 8).

INSTRUCTIONS D'INSTALLATION POUR CUISINIÈRE 40" À ALIMENTATION MIXTE (Modèles avec four électrique et table de cuisson à gaz)

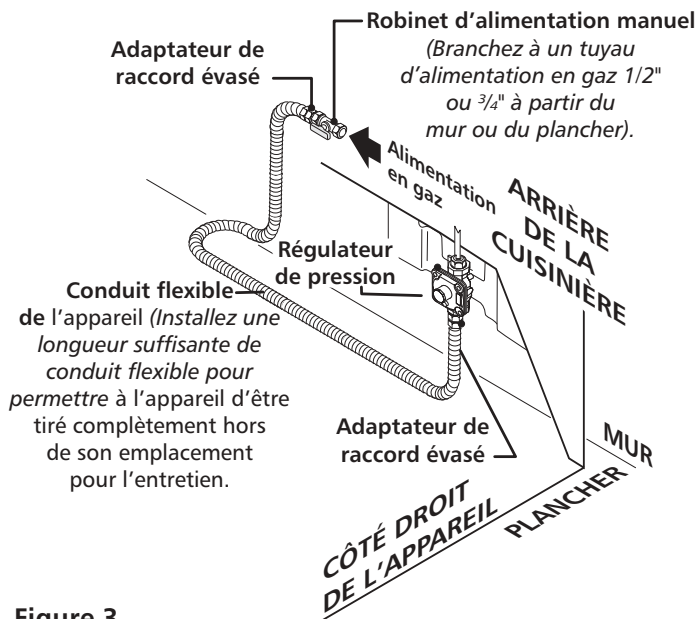


Figure 3

Alimentation en gaz - Installation

Cet appareil a été conçu en usine pour fonctionner au gaz naturel avec une pression d'admission de 4" (10,16 cm) de colonne d'eau (1.0 kpa). Un régulateur de pression convertible est branché avec la rampe à gaz de la cuisinière, et doit rester connecté en série avec le tuyau d'alimentation. Pour accéder au régulateur enlevez le tiroir.

Pour un fonctionnement normal, la pression intérieure maximum au régulateur ne doit pas être supérieure à 14" (35,56 cm) (3.5 kpa) de pression de colonne d'eau.

La pression d'admission au régulateur doit être supérieure d'au moins un pouce (ou de .25 kpa) au régulateur ajusté à la rampe à gaz. Pour le gaz naturel, le régulateur étant ajusté à 4" (10,16 cm) de pression (1.0 kpa), la pression d'admission doit être d'au moins 5" (12,7 cm) de colonne d'eau (1.25 kpa). Pour le gaz propane, le régulateur étant ajusté à 10" (25,4 cm) de pression (2.5 kpa), la pression d'admission doit être d'au moins 11" (27,9 cm) (2.75 Kpa).

La ligne d'alimentation doit être munie d'un robinet d'arrêt approuvé (voir Figure 3). Ce robinet doit se trouver dans la même pièce que la cuisinière et à un endroit qui permette de l'ouvrir et de le fermer facilement. Ne bloquez pas l'accès au robinet d'arrêt. Il est destiné à ouvrir et à fermer l'alimentation en gaz de l'appareil.

Ouvrez le robinet de la ligne d'alimentation en gaz. Attendez quelques minutes pour que le gaz commence à circuler à travers la canalisation pour le gaz.

L'alimentation en gaz entre le robinet d'alimentation manuel peut-être raccordée par un tuyau métallique flexible homologué AGA/CGA ou un tuyau rigide sujet à l'application des normes locales.

La tuyauterie d'alimentation en gaz peut être installée à travers le mur latéral de l'armoire droite. L'armoire latérale droite est l'endroit idéal pour l'installation du robinet d'alimentation principal.

⚠ MISE EN GARDE Ne serrez pas trop les raccords. Le régulateur est moulé sous pression. Un serrage excessif pourrait le fissurer et provoquer une fuite de gaz susceptible de causer un incendie ou une explosion.

Assemblez le connecteur flexible du conduit d'alimentation en gaz au régulateur de pression dans l'ordre qui suit: 1- robinet d'arrêt manuel, 2- adaptateur de raccord évasé, 3- connecteur flexible, 4- adaptateur de raccord évasé, 5- régulateur de pression.

Le conduit d'alimentation en gaz branché au robinet d'alimentation doit être un tuyau solide de 1/2" (1,27 cm) à 3/4" (1,9 cm)".

L'utilisateur doit connaître l'emplacement du robinet d'alimentation principal et être en mesure d'y accéder facilement.

Lorsqu'un conduit de gaz flexible est utilisé, laissez suffisamment de mou pour être en mesure de dégager la cuisinière de l'ouverture pour le nettoyage et l'entretien.

NOTE : Veillez à ce que le conduit flexible ne soit pas coincé entre le mur et la cuisinière. Pour vérifier si tel est le cas, enlevez le tiroir.

Utilisez des pâtes à joints de tuyauterie fabriquées pour utilisation avec gaz naturel et propane, pour sceller les connexions de gaz. Si des connecteurs flexibles sont utilisés, assurez-vous qu'ils ne sont pas tordus.

Les vérifications contre les fuites doivent être effectuées conformément aux instructions du fabricant.

Veillez à ce qu'il n'y ait pas de fuites. Après avoir raccordé l'alimentation en gaz à la cuisinière, à l'aide d'un manomètre vérifiez si le système ne fuit pas. Si vous ne disposez pas d'un manomètre, ouvrez l'alimentation en gaz et utilisez un liquide détecteur de fuites sur tous les joints et les raccords.

⚠ AVERTISSEMENT N'utilisez pas de flamme nue pour vérifier les fuites de gaz. La détection des fuites à l'aide d'une flamme pourrait provoquer un incendie ou une explosion.

Toutes les ouvertures à travers le plancher ou le mur où la cuisinière sera installée doivent être scellées.

Resserrez tous les raccords si nécessaire, afin de prévenir les fuites de gaz dans la plaque de cuisson ou le

INSTRUCTIONS D'INSTALLATION POUR CUISINIÈRE 40" À ALIMENTATION MIXTE (Modèles avec four électrique et table de cuisson à gaz)

tuyau d'alimentation.

Vérifiez l'alignement des robinets, après avoir relié la plaque de cuisson à l'alimentation en gaz, afin de vous assurer que la rampe du conduit de gaz n'a pas été déplacée.

Débranchez la cuisinière et fermez son robinet d'alimentation en gaz lors de toute vérification de pression du circuit d'alimentation de gaz à une pression supérieure à 1/2 lb/po2 (3.5 kpa ou 14" (35,56 cm). colonne d'eau).

Conversion au gaz propane

Cet appareil fonctionne au gaz naturel ou au gaz propane. Il est réglé en usine pour fonctionner au gaz naturel.

Si vous désirez convertir votre cuisinière au gaz propane, servez-vous des orifices fixes fournis dans l'enveloppe portant l'inscription «**POUR CONVERSION AU GAZ PROPANE**» **située à l'arrière de l'appareil près de la valve du régulateur de l'appareil.**

Un installateur qualifié doit effectuer la conversion conformément aux instructions du fabricant et à tous les codes et règlements applicables. Si ces instructions ne sont pas suivies à la lettre, il pourrait en résulter de sérieuses blessures corporelles ou des dommages matériels. L'entreprise d'installation qualifiée qui effectue ce travail assume la responsabilité de la conversion.

⚠ AVERTISSEMENT Si on n'effectue pas la conversion correctement, il pourrait en résulter des blessures corporelles et des dommages matériels.

⚠ MISE EN GARDE Pour que toutes les additions, modifications ou conversions apportés à cet appareil soit conformes, elles doivent être effectuées par un centre de service agréé, un distributeur autorisé ou une agence autorisée.

Déplacement de l'appareil en vue d'en faire le service ou pour faire du nettoyage

Coupez l'alimentation électrique de l'appareil à la boîte de fusibles ou des disjoncteurs et fermez le robinet d'alimentation à gaz manuel. Assurez-vous que l'appareil est froid. Retirez le tiroir de rangement, puis ouvrez la porte du four. Soulevez la cuisinière à l'avant et faites-la glisser hors de son gîte, tout en évitant de soumettre le conduit à gaz flexible à des contraintes excessives.

Isolez la cuisinière du réseau d'alimentation en gaz en fermant son robinet d'arrêt manuel, lors de toute vérification de pression du circuit d'alimentation en gaz à une pression inférieure ou égale à 1/2 lb/po2 (3.5kPa ou 14" colonne d'eau).

Lorsque la cuisinière est replacée dans son gîte, veillez à ne pas coincer le conduit à gaz flexible et le câble d'alimentation électrique derrière l'appareil.

Si le régulateur de pression est branché à une tuyauterie rigide, le régulateur doit être débranché avant de déplacer l'appareil.

Réassemblez dans l'ordre inverse (voir la figure 3).

Installation de la cuisinière

⚠ MISE EN GARDE Ne rebutez pas les 4 vis de nivellement lorsque vous déballez la cuisinière. Revissez-les aux 4 coins inférieurs de l'appareil, car elles servent de pieds pour niveler l'appareil et pour régler la hauteur.

NOTE:

1. L'arrière de la cuisinière doit être appuyé directement contre le mur.
2. Pour réduire le risque que le mur devienne brûlant ou pour minimiser les possibilités qu'un feu surviennent lors de situations anormales, tel que : haute température ou utilisation des brûleurs sans ustensile, et pour être conforme aux normes de l'agence A.G.A., vous devez laisser un espace minimum de 2 ½ (6.4cm) de chaque côté de la surface de cuisson.

Préparation

⚠ AVERTISSEMENT

Risque de charge excessive

- **2 personnes ou plus sont nécessaires pour installer ou déplacer la cuisinière.**
- **Si vous ne tenez pas compte de cet avertissement des blessures graves au dos ou ailleurs peuvent survenir.**

1. Portez des lunettes et des gants de sécurité. Retirez les grilles et la boîte d'accessoires du four. Enlevez le matériel d'emballage, les rubans adhésifs et les films protecteur de l'appareil.
2. Retirez les 4 coins de carton de la boîte. Placez-les deux par deux un sur l'autre à l'arrière de l'appareil sur le sol dans le sens de la longueur afin de supporter l'appareil.
3. Basculez doucement l'appareil sur le dos dessus les coins de carton.
4. Enlevez et gardez les 4 vis fixant la base d'emballage à l'appareil. Jetez la base.
5. Réinstallez les 4 vis, elles serviront de pieds niveleurs.
6. Étendez un grand morceau de carton sur le devant de l'appareil. Doucement relevez l'appareil afin qu'il se retrouve debout sur le carton.
7. Ajustez les pieds niveleurs pour que l'appareil repose sur ces derniers et non sur la base de l'appareil.

INSTRUCTIONS D'INSTALLATION POUR CUISINIÈRE 40" À ALIMENTATION MIXTE (Modèles avec four électrique et table de cuisson à gaz)

Mise à niveau de la cuisinière

Mettez la cuisinière de niveau et ajustez la hauteur de la table de cuisson avant de l'installer dans le découpage du comptoir (si applicable).

1. Installez une grille au centre du four.
2. Déposez un niveau à bulle sur la grille (see figure 4). Prenez 2 lectures en plaçant le niveau en diagonale dans une direction, puis dans l'autre direction. Si nécessaire, ajustez les 4 vis de nivellement à l'aide d'une clé pour niveler l'appareil (reportez-vous à la figure 9).
3. Glissez délicatement la cuisinière dans le découpage du comptoir et vérifiez si elle est encore de niveau. Si la cuisinière n'est plus de niveau, tirez-la hors du découpage et réajustez les vis de nivellement ou assurez-vous que le plancher est bien au niveau.

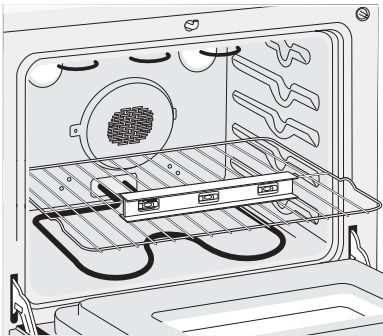


Figure 4

Vérification du fonctionnement

Référez-vous au [Guide de l'utilisateur](#) inclus avec la cuisinière pour les directives de fonctionnement et pour l'entretien et le nettoyage de votre cuisinière.

Enlevez tout le matériel d'emballage du four avant de commencer les essais.

1. Mise en place des bases et des couvercles de brûleurs

Cette cuisinière est munie de brûleurs scellés comme indiqué ci-contre (figure 5).

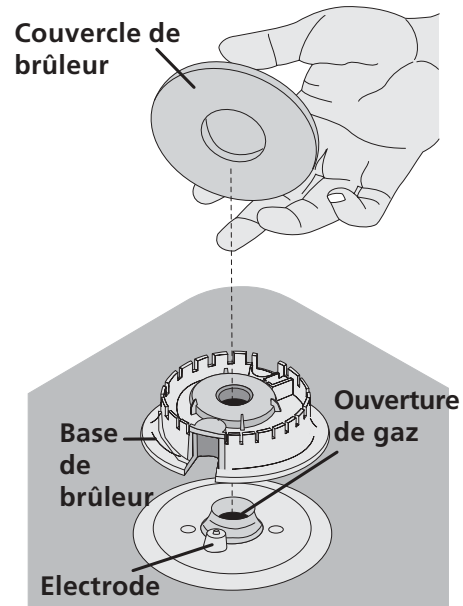


Figure 5

- a. Déballez les bases de brûleur et les couvercles.
- b. Placez les bases de brûleurs au-dessus de chaque orifice d'alimentation.
- c. Vérifiez que le brûleur est correctement aligné et à niveau. Placez le couvercle sur la base de brûleur appropriée.

NOTE : Aucun réglage de brûleur n'est nécessaire dans ce genre de cuisinière.

INSTRUCTIONS D'INSTALLATION POUR CUISINIÈRE 40" À ALIMENTATION MIXTE (Modèles avec four électrique et table de cuisson à gaz)

2. Branchez l'alimentation en électricité et ouvrez le robinet principal d'alimentation en gaz.

3. Vérifiez les allumeurs

Il faut vérifier le fonctionnement des allumeurs électriques après que la cuisinière et les raccords du tuyau d'alimentation aient été eux-mêmes vérifiés relativement aux fuites et que la cuisinière ait été branchée à la prise de courant. Pour vérifier si l'allumage est adéquat :

- Appuyez sur le bouton de commande d'un brûleur de surface et tournez-le à la position «LITE». Vous entendrez les étincelles de l'allumeur électrique qui allume le brûleur.
- Le brûleur de surface doit s'allumer lorsque le gaz est disponible au brûleur supérieur. En fonctionnement normal, chaque brûleur doit s'allumer dans un délai de quatre (4) secondes après que l'air ait été purgé des canalisations d'alimentation. Regardez si le brûleur est allumé.
- Une fois le brûleur allumé, le bouton de commande doit être tourné à une autre position que LITE.

Il existe des dispositifs d'allumage séparés pour chaque brûleur. Essayez chaque bouton séparément jusqu'à ce que tous les robinets de brûleur aient été vérifiés.

4. Réglez la position LOW des robinets des brûleurs de surface (voir Figure 6)

- Appuyez sur chaque commande et tournez-les à LITE jusqu'à ce que le brûleur s'allume.
- Tournez rapidement le bouton à la position la plus basse (LOW).
- Si le brûleur s'éteint, ré-ajustez le robinet comme suit : Remettez le bouton de commande à arrêt (OFF). Enlevez le bouton de commande du brûleur de surface, insérez un tournevis à pointe droite fine dans la tige creuse du robinet et insérez dans la tête de la vis. La hauteur de la flamme peut être augmentée ou diminuée en tournant la vis. Ajustez la flamme jusqu'à ce que vous puissiez tourner rapidement le bouton de LITE à la plus basse position (LOW) sans éteindre la flamme. Celle-ci devrait être aussi minuscule que possible sans s'éteindre.

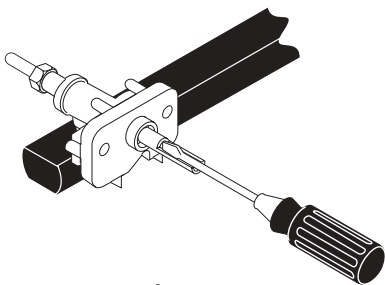


Figure 6

5. Fonctionnement des éléments du four

Ce four est équipé d'un contrôleur électronique. Chacune des fonctions a été vérifiée à l'usine avant l'expédition. Nous vous suggérons cependant de vérifier une fois de plus le fonctionnement des commandes du contrôleur électronique. Référez-vous au [Guide de l'utilisateur](#) pour le mode de fonctionnement. Suivez les instructions sur les fonctions de l'Horloge (Clock), de la Minuterie (Timer), de la cuisson au four (Bake), au gril (Broil), par convection (Convection) (certains modèles) et de nettoyage (Clean).

⚠ MISE EN GARDE Ne touchez pas aux éléments du four lorsque vous vérifiez les opérations. Ces derniers peuvent être assez chauds pour causer des brûlures.

Cuisson au four (Bake)– Après avoir réglé le four à 350°F (177°C) pour la cuisson au four, l'élément inférieur du four doit devenir rouge.

Cuisson au gril (Broil)– Lorsque le four est réglé à Cuisson au GRIL (BROIL), l'élément supérieur du four doit devenir rouge.

Nettoyage (Clean) (certains modèles)– Lorsque le four est réglé pour un cycle auto-nettoyant, l'élément supérieur devrait devenir rouge durant le préchauffage du cycle. Une fois la température auto-nettoyante atteinte, l'élément inférieur deviendra rouge.

Convection (certains modèles)– Lorsque le four est réglé à CONV. BAKE/ROAST à 350°F (177°C), les deux éléments exécutent à tour de rôle le cycle d'allumage et d'extinction et le ventilateur de convection se met à tourner. Le ventilateur de convection arrête de tourner lorsque la porte du four est ouverte durant la cuisson par convection.

Lorsque tous les raccords sont terminés

Vérifiez que toutes les commandes sont en position d'arrêt (OFF).

Model and Serial Number Location

La plaque signalétique est située sur le côté du tiroir.

Lors d'une commande de pièces ou pour toute demande de renseignements au sujet de votre cuisinière, assurez-vous de toujours inclure les numéros de modèle et de série et un numéro de lot ou une lettre de la plaque signalétique de votre cuisinière.

Avant d'appeler le service d'entretien

Réviser la liste de vérifications préventives et les instructions d'opération dans votre Guide de l'utilisateur. Vous sauverez probablement du temps et de l'argent. La liste contient les événements ordinaires qui ne résultent pas de défauts dans le matériel ou la fabrication de cet appareil.

Pour obtenir l'adresse et le numéro de téléphone, référez-vous à la garantie et aux renseignements sur les services d'entretien dans votre [Guide de l'utilisateur](#).

INSTRUCTIONS D'INSTALLATION POUR CUISINIÈRE 40" À ALIMENTATION MIXTE (Modèles avec four électrique et table de cuisson à gaz)

Instructions de sécurité importantes

Pour réduire le risque de basculement de la cuisinière, protégez-la en installant les vis et les supports anti-basculé fournis avec la cuisinière. Ils sont situés dans un sac de plastique dans le four. Si vous n'installez pas ces supports de anti-basculé, la cuisinière risque de basculer si un poids excessif est placé sur une porte ouverte ou si un enfant y grimpe. Les renversements de liquides chauds ou la cuisinière peuvent provoquer de sérieuses blessures.

Suivez les instructions ci-dessous pour installer les supports de anti-basculé.

Si vous déplacez la cuisinière pour l'installer à un autre endroit, vous devez également déplacer les supports anti-basculé pour les installer avec la cuisinière. Voyez l'étape 5 pour vérifier comment procéder à une installation correcte.

Outils Requis:

Tourne-écrou de 5 /16" (0,79 cm) ou tournevis à tête carrée

Clé à molette

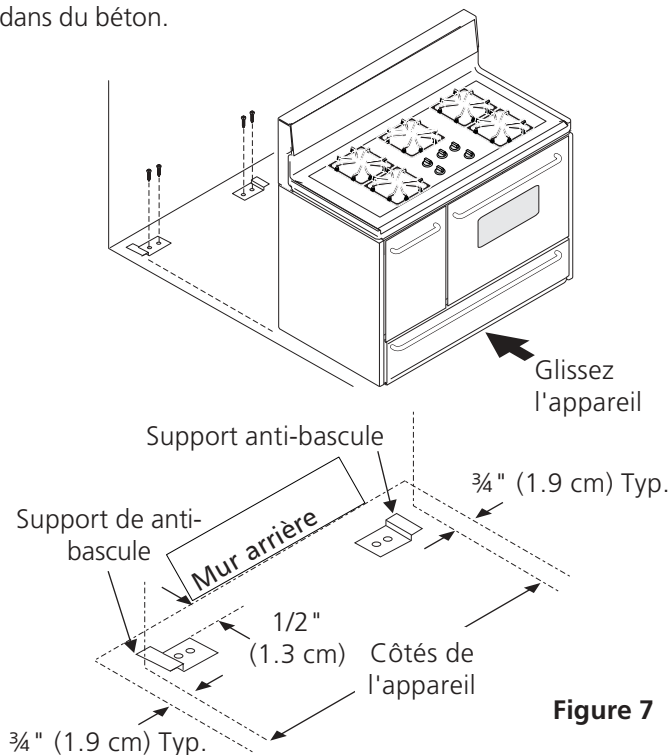
Perceuse électrique

Foret de 3/16" (0,48 cm) de diamètre

Foret de maçonnerie de 3 /16" (0,48 cm) diamètre (si l'installation se fait dans du béton)

Instructions d'installation des supports de anti-basculé

Les supports anti-basculé se fixent au plancher, à l'arrière de la cuisinière, pour retenir les deux pieds niveleurs. En les fixant au plancher, assurez-vous que les vis ne pénètrent pas dans la plomberie ou le câblage électrique. Les vis fournies fonctionneront aussi bien dans du bois que dans du béton.



1. Dépliez le gabarit de papier et placez-le à plat sur le plancher, l'endos et les extrémités des côtés exactement à l'endroit où l'arrière et les côtés de la cuisinière seront placés lors de l'installation (utilisez le diagramme ci-dessous pour localiser les supports anti-basculé si le gabarit de papier n'est pas disponible).
2. Tracez sur le plancher l'emplacement des 4 trous de montage indiqués sur le gabarit. Pour faciliter l'installation, des trous pilotes d'un 1/2" (1.3 cm) de profondeur et 3/16" (4.8 mm) de diamètre peuvent être percés dans le plancher.
3. Enlevez le gabarit et placez les supports de anti-basculé sur le plancher, le rebord renversé vers l'avant. (voir figure 7). Alignez les trous dans les supports antibasculé avec les trous tracés sur le plancher et fixez avec les 4 vis fournies. Les supports anti-basculé doivent être fixés sur un plancher solide. Si vous les fixez à un plancher en béton, percez d'abord des trous pilotes de 3/16" (0.5 cm) de diamètre à l'aide d'un foret à maçonnerie de 3/16" (0.5 cm) diamètre.
4. Mettez la cuisinière à niveau au besoin, en l'ajustant avec les 4 pieds niveleurs à l'aide d'une clé à molette (voir Figure 9). Un dégagement minimum de 1/8" (0.3 cm) est requis entre le bas de la cuisinière et les pieds niveleurs arrière pour disposer de suffisamment d'espace pour installer les supports anti-basculé.
5. Remplacez la cuisinière en la faisant glisser, en vous assurant que les pieds arrière ont été bien agrippés par les extrémités des supports anti-basculé. Il est possible que vous ayez à la déplacer légèrement d'un côté en la repoussant vers l'arrière pour que les pieds arrière s'alignent avec les supports anti-basculé.
6. Après l'installation vérifiez si les supports anti-basculé sont bien engagé en ouvrant et retirant le tiroir.

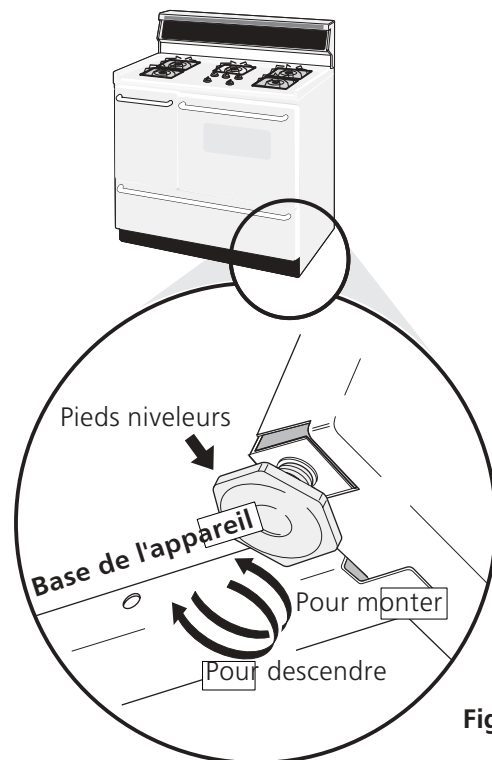
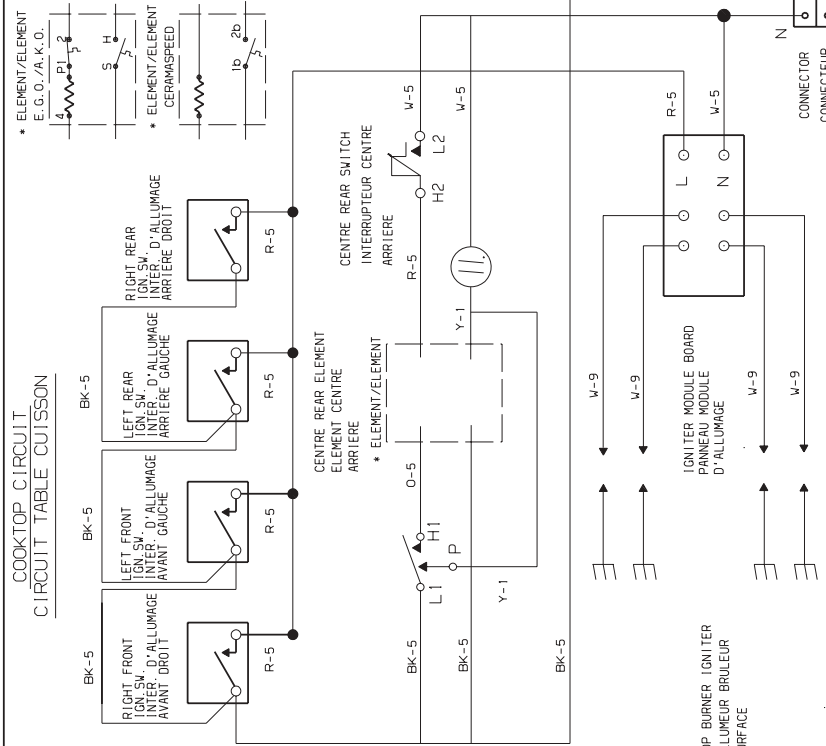
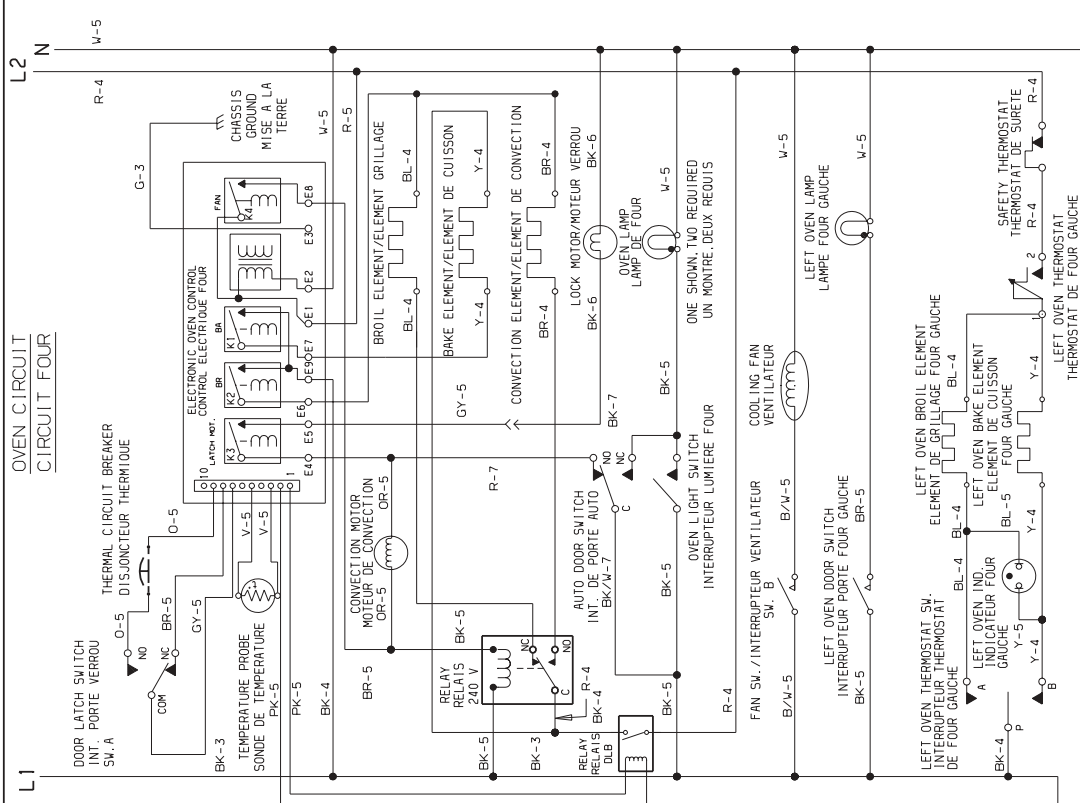


SCHÉMA DE CÂBLAGE

COOKTOP CIRCUIT C. CIRCUIT TABLE CUISSON

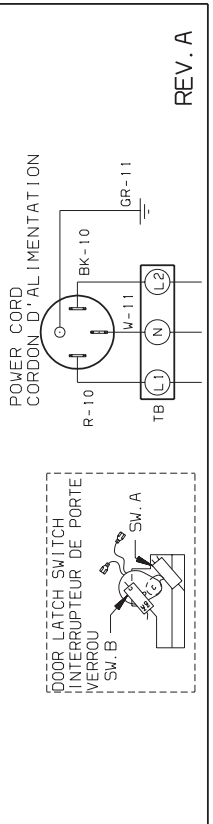
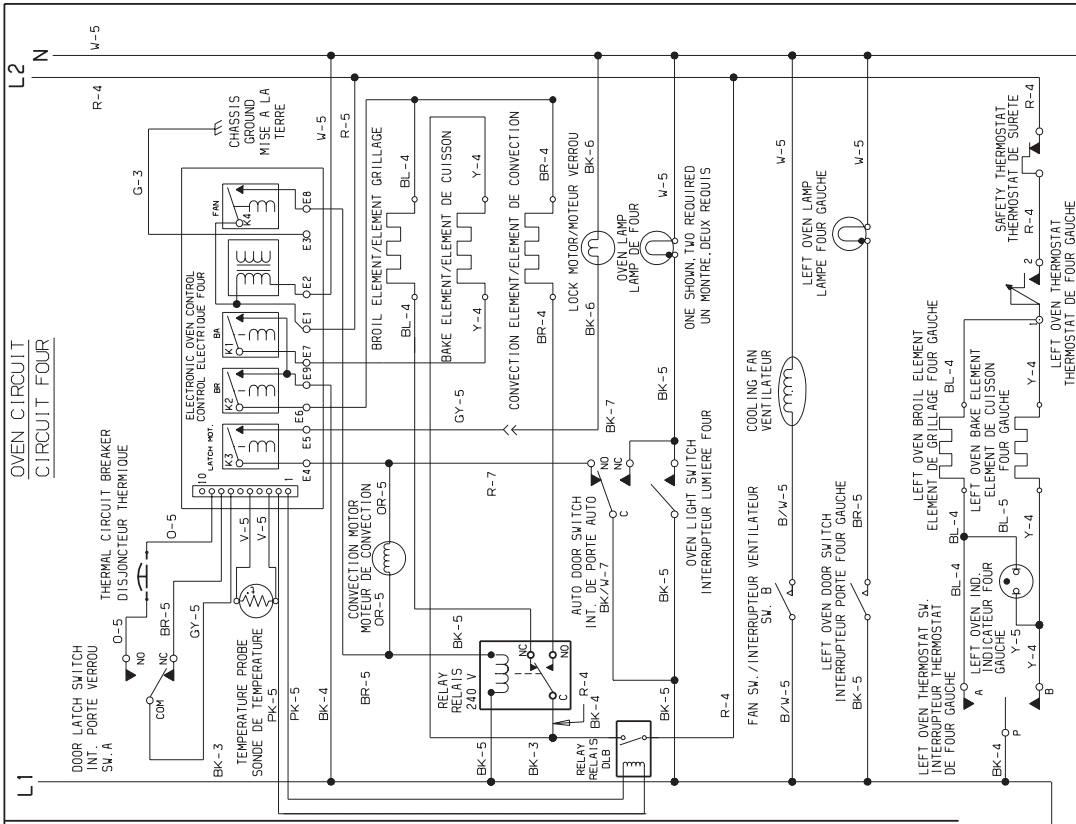


OVEN CIRCUIT C. CIRCUIT FOUR



318045329 REV. A

SCHEMA DE CÂBLAGE



NOTE:
SERVICE: IF REPLACEMENT OF TERMINALS, BECOMES NECESSARY, COMPARE WIRE TYPE AND GAGE AND COMPAREABLE TERMINALS MUST BE USED.

NOTE:
SERVICE: SI DES FILS OU DES COSSES DOIVENT ETRE REMPLACES, UTILISEZ DES PIECES DE CALIBRE ET DE TYPE EQUIVALENTS, LES FILS DOIVENT ETRE EN CUIVRE.

CAUTION:
LABEL ALL WIRES PRIOR TO DISCONNECTION WHEN SERVICING CONTROLS. WIRING ERROR CAN CAUSE FIRE, EXPLOSION AND DANGEROUS OPERATION. VERIFY PROPER OPERATION AFTER SERVICING. ETIQUETER CHAQUE FIL AVANT LE DEBRANCHEMENT DE CEUX-CI. UNE ERREUR DE BRANCHEMENT PEUT CAUSER UNE OPERATION DANGEREUSE. VERIFIER LE BON FONCTIONNEMENT DE L'APPAREIL APRES TOUTE REPARATION.

WARNING:
DISCONNECT POWER BEFORE SERVICING UNIT.
COUPER LE COURANT AVANT D'EFFECTUER LA REPARATION.

CODE FIL	GAUGE CALIBRE	TEMP. °C	STYLE UL
BK-	BLACK/NOIR		
1	10	150	3321
2	12	150	3321
3	14	150	3321
4	16	150	3321
5	18	150	3321
6	18	125	3173
7	18	200	3122
8	18	105	1015
9	18	200	3304
10	8	60	
11	10	60	

COLOR CODE / CODE DE COULEUR

REV. A