

KitchenAid®

ICE MAKER

Use & Care Guide

For questions about features, operation/performance, parts accessories or service, call: **1-800-422-1230**
In Canada, call for assistance **1-800-461-5681**, for installation and service, call: **1-800-807-6777** or visit our website at...
www.kitchenaid.com or www.kitchenaid.com/canada

MACHINE À GLAÇONS

Guide d'utilisation et d'entretien

Au Canada, pour assistance composez le **1-800-461-5681**, pour installation ou service composez le **1-800-807-6777** ou visitez notre site web à...
www.kitchenaid.com/canada

Table of Contents/Table des matières..... 2



TABLE OF CONTENTS

ICE MAKER SAFETY	3
ICE MAKER INSTALLATION	4
Unpacking	4
Location Requirements	4
Electrical Requirements	4
Leveling the Ice Maker	5
Water Supply Connection	5
Normal Sounds	7
ICE MAKER USE	8
How Your Ice Maker Works	8
Using the Controls	8
ICE MAKER CARE	8
Cleaning.....	8
Changing the Light Bulb	11
Vacation and Moving Care.....	11
TROUBLESHOOTING	12
ASSISTANCE OR SERVICE	13
In the U.S.A.	13
In Canada	13
WARRANTY	14

TABLE DES MATIÈRES

SÉCURITÉ DE LA MACHINE À GLAÇONS	15
INSTALLATION DE LA MACHINE À GLAÇONS	16
Déballage	16
Emplacement d'installation	16
Spécifications électriques	16
Nivellement	17
Raccordement de la canalisation d'eau	17
Sons normaux	20
UTILISATION DE LA MACHINE À GLAÇONS	20
Fonctionnement de la machine à glaçons	20
Utilisation des commandes.....	21
ENTRETIEN DE LA MACHINE À GLAÇONS	21
Nettoyage	21
Changement de l'ampoule d'éclairage	23
Précautions à prendre pour les vacances ou le déménagement.....	24
DÉPANNAGE	25
ASSISTANCE OU SERVICE	26
Aux États-Unis.....	26
Au Canada.....	26
GARANTIE	27

ICE MAKER SAFETY

Your safety and the safety of others are very important.

We have provided many important safety messages in this manual and on your appliance. Always read and obey all safety messages.



This is the safety alert symbol.

This symbol alerts you to potential hazards that can kill or hurt you and others.

All safety messages will follow the safety alert symbol and either the word "DANGER" or "WARNING." These words mean:

! DANGER

You can be killed or seriously injured if you don't immediately follow instructions.

! WARNING

You can be killed or seriously injured if you don't follow instructions.

All safety messages will tell you what the potential hazard is, tell you how to reduce the chance of injury, and tell you what can happen if the instructions are not followed.

IMPORTANT SAFETY INSTRUCTIONS

WARNING: To reduce the risk of fire, electric shock, or injury when using your ice maker, follow these basic precautions:

- Plug into a grounded 3 prong outlet.
- Do not remove ground prong.
- Do not use an adapter.
- Do not use an extension cord.
- Disconnect power before cleaning.
- Disconnect power before servicing.
- Replace all panels before operating.
- Use two or more people to move and install ice maker.

SAVE THESE INSTRUCTIONS

ICE MAKER INSTALLATION

Unpacking

⚠ WARNING

Excessive Weight Hazard

Use two or more people to move and install ice maker.

Failure to do so can result in back or other injury.

Removing packaging materials

Remove tape and glue from your ice maker before using.

- To remove any remaining tape or glue, rub the area briskly with your thumb. Tape or glue residue can also be easily removed by rubbing a small amount of liquid dish soap over the adhesive with your fingers. Wipe with warm water and dry.
- Do not use sharp instruments, rubbing alcohol, flammable fluids, or abrasive cleaners to remove tape or glue. These products can damage the surface of your ice maker.

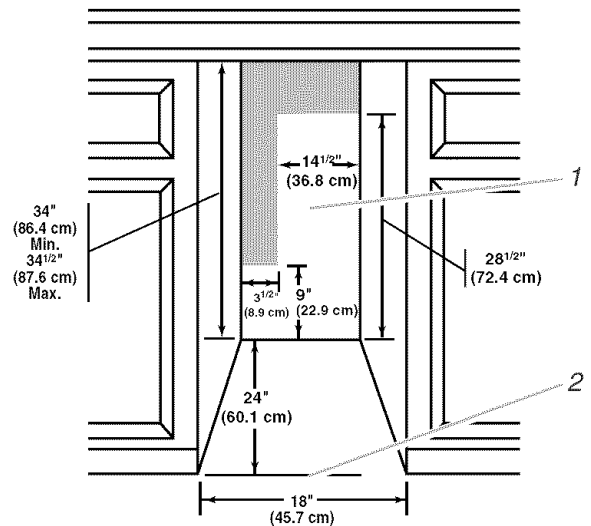
Cleaning before use

After you remove all of the packaging materials, clean the inside of your ice maker before using it. See the cleaning instructions in the "Ice Maker Care" section.

Location Requirements

- To ensure proper ventilation for your ice maker, the front side must be completely unobstructed. The unit may be closed-in on the top and three sides, but the installation should allow the ice maker to be pulled forward for servicing if necessary.
- Installation of the ice maker requires a cold water supply inlet of 1/4 in. (6.35 mm) OD soft copper tubing with a shut-off valve and either a gravity-drain system or condensate pump to carry the water to an existing drain.
- Choose a well ventilated area with temperatures above 55°F (13°C) and below 100°F (38°C). Best results are obtained between 70°F (21°C) and 90°F (32°C). This unit **MUST** be installed in an area protected from the elements, such as wind, rain, water spray or drips.
- When installing the ice maker under a counter, follow the recommended opening dimensions shown. Place electrical and plumbing fixtures in the recommended location as shown.

NOTE: Do not kink or pinch the power supply cord between the ice maker and cabinet.



1. Recommended location for electrical and plumbing fixtures.
2. Floor level

- You should choose a location where the floor is even. It is important for the ice maker to be level in order to work properly. If needed, you can adjust the height of the ice maker by changing the position of the rear wheels. See the "Leveling" section.

Electrical Requirements

⚠ WARNING



Electrical Shock Hazard

Plug into a grounded 3 prong outlet.

Do not remove ground prong.

Do not use an adapter.

Do not use an extension cord.

Failure to follow these instructions can result in death, fire, or electrical shock.

Before you move your ice maker into its final location, it is important to make sure you have the proper electrical connection:

A 115 Volt, 60 Hz., AC only 15 ampere electrical supply, properly grounded in accordance with the National Electrical Code and local codes and ordinances, is required.

It is recommended that a separate circuit, serving only your ice maker, be provided. Use a receptacle which cannot be turned off by a switch or pull chain.

Recommended grounding method

For your personal safety, this appliance must be grounded. This appliance is equipped with a power supply cord having a 3 prong grounding plug. To minimize possible shock hazard, the cord must be plugged into a mating, 3 prong, grounding-type wall receptacle, grounded in accordance with the National Electrical Code and local codes and ordinances. If a mating wall receptacle is not available, it is the personal responsibility of the customer to have a properly grounded, 3 prong wall receptacle installed by a qualified electrician.

Leveling

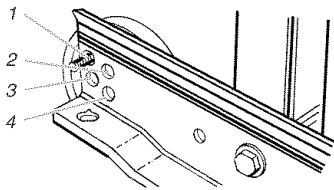
It is important for the ice maker to be level in order to work properly. Depending upon where you install the ice maker, you may need to make several adjustments to level it.

Tools required

- Carpenter's level
- Adjustable wrench
- ¼ in. socket wrench

Undercounter installation

If you are installing the ice maker under a countertop, then you may need to adjust the height of the ice maker. The adjustable rear wheels are preset to position 1 for a cabinet opening height of 34 in. (86.4 cm).



1. For cutout height of 34 in. (86.4 cm)
2. For cutout height of 34 $\frac{1}{8}$ in. (86.7 cm)
3. For cutout height of 34 $\frac{5}{16}$ in. (87.2 cm)
4. For cutout height of 34 $\frac{1}{2}$ in. (87.6 cm)

To adjust the rear wheel height

1. Using a ¼ in. socket wrench, remove the five screws from the rear access panel and carefully pull the panel away from the drain hose.
2. Using a ⅜ in. or adjustable wrench, remove the screw that holds the rear wheel.
NOTE: Push up against the top back of the ice maker to take some weight off of the wheels and make it easier to remove the screws.
3. Move the rear wheel and screw to a new position as needed for your cabinet opening height. Tighten the screw completely.
4. Repeat Steps 2 and 3 to change the position of the wheel on the other side.
5. Replace the rear panel and screws. Be sure that the drain tube is positioned in the opening provided.
6. Use the front leveling legs to make sure the product is level.

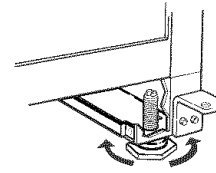
To adjust the front leveling legs

Your ice maker has two adjustable leveling legs to help you steady the product and make sure it is level.

NOTE: It is easier to adjust the leveling legs if you have another person to assist you.

1. Place a carpenter's level on top of the product to see if the ice maker is level from front to back and side to side.
2. Push up on the top front of the ice maker, and then locate the leveling screws that are on the bottom front of the product.
3. Using an adjustable wrench, change the height of the legs as follows:
 - Turn the leveling leg to the right to lower that side of the ice maker.
 - Turn the leveling leg to the left to raise that side of the ice maker.

NOTE: The ice maker should not wobble. Use shims to add stability when needed.



4. Use a carpenter's level to re-check the ice maker to see that it is even from front to back and side to side. If the ice maker is not level, repeat Steps 2 and 3. If the ice maker is level, go to the "Water Supply Connection" section.

Freestanding installation

If you are not installing your ice maker under a countertop, you will probably not need to adjust the rear wheel height. Follow the steps outlined in "To adjust the front leveling legs" earlier in this section.

NOTE: The ice maker should not wobble. Use shims to add stability when needed.

Water Supply Connection

Read all directions carefully before you begin.

IMPORTANT:

- All installations must be in accordance with local plumbing codes requirements.
- Use copper tubing and check for leaks.
- Install copper tubing only in areas where temperatures will remain above freezing.

Tools required:

- Standard screwdriver
- 7/16 in. and ½ in. open-end wrenches or two adjustable wrenches
- ¼ in. nut driver
- ¼ in. drill bit
- Hand drill or electric drill properly grounded

NOTE: Your ice maker dealer has a kit available with a ¼ in. (6.35 mm) saddle-type shut-off valve, a union, and copper tubing. Before purchasing, make sure a saddle-type valve complies with your local plumbing codes. Do not use a piercing-type or 3/16 in. (4.76 mm) saddle valve which reduces water flow and clogs more easily.

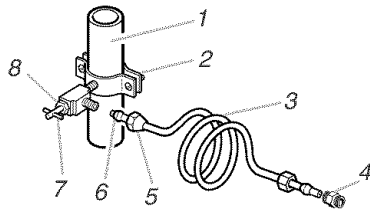
Connecting the water line:

1. Turn off main water supply. Turn on nearest faucet long enough to clear line of water.
2. Find a ½ in. (12.70 mm) to ¾ in. (3.18 cm) vertical cold water pipe near the ice maker.

NOTE: Horizontal pipe will work, but the following procedure must be followed: Drill on the top side of the pipe, not the bottom. This will help keep water away from the drill. This also keeps normal sediment from collecting in the valve.

3. Using a grounded drill, drill a ¼ in. (6.35 mm) hole in the cold water pipe you have selected.
4. Fasten shut-off valve to cold water pipe with pipe clamp. Be sure outlet end is solidly in the ¼ in. (6.35 mm) drilled hole in the water pipe and that washer is under the pipe clamp. Tighten packing nut. Tighten the pipe clamp screws carefully and evenly so washer makes a watertight seal. Do not overtighten the pipe clamp or you may crush cold water pipe if it is soft copper tubing. Do not use a piercing-type or ¾ in. (4.76 mm) saddle-type valve which reduces water flow and clogs more easily.
5. Now you are ready to connect the copper tubing. Use ¼ in. (6.35 mm) OD soft copper tubing for the cold water supply.

- Measure from the connection at the front of the ice maker to the cold water pipe. Add 3 ft (91.4 cm) to ensure that you have the proper length. This is the length of ¼ in. (6.35 mm) OD soft copper tubing you need for the job. Be sure both ends of the copper tubing are cut square.
- Slip compression sleeve and compression nut on copper tubing as shown. Insert end of tubing into outlet end squarely as far as it will go. Screw compression nut onto outlet end with adjustable wrench. Do not overtighten.



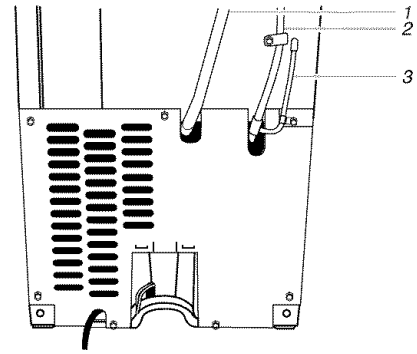
- | | |
|-------------------------|-----------------------|
| 1. Cold Water Pipe | 5. Compression Nut |
| 2. Pipe Clamp | 6. Compression Sleeve |
| 3. Copper Tubing | 7. Shut-Off Valve |
| 4. Coupling (purchased) | 8. Packing Nut |

6. Place the free end of the tubing into a container or sink, and turn on main water supply and flush out tubing until water is clear. Turn off shut-off valve on the water pipe.

NOTE: Always drain the water line before making the final connection to the inlet of the water valve to prevent possible water valve malfunction.

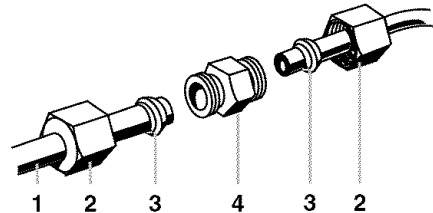
7. Remove the two screws in the lower access panel and the two screws in the base grille area of the front panel support. Pull forward to remove the lower access panel.
8. Position the tubing so it can enter one of the two access holes located at the right-hand rear of the cabinet as shown. The tubing should extend beyond the cabinet front when the cabinet is pushed back into position. Move the ice maker into position.

REAR VIEW



1. Drain Hose (Drain Pump models only)
2. Vent Hose (Drain Pump models only)
3. Water Supply Line

9. Bend the copper tubing to meet the water valve inlet on the water valve which is located in the front of the ice maker cabinet as shown.
10. Thread the provided nut onto the coupling on the end of the copper tubing. Tighten the nut by hand. Then tighten it with a wrench two more turns. Do not overtighten.

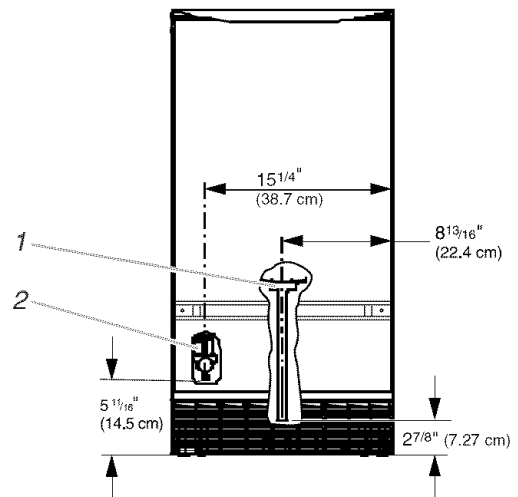


1. Line to ice maker
2. Nut (provided)
3. Ferrule (purchased)
4. Coupling (purchased)

11. Unscrew the water valve inlet cover, and attach the copper tubing with the compression sleeve and nut.

NOTE: To prevent rattling, be sure the copper tubing does not touch the cabinet's side wall or other parts inside the cabinet.

FRONT VIEW



1. Water Pan Drain
2. Water Valve

12. Turn shut-off valve on.
13. Check for leaks. Tighten any connections (including connections at the valve) or nuts that leak.
NOTE: The ice maker is equipped with a built-in water strainer. If local water conditions require periodic cleaning or a well is your source of water supply, a second water strainer should be installed. Obtain a water strainer from your nearest appliance dealer and install it at either tube connection.
14. Replace the lower access panel and screws.

Connecting the drain

Gravity drain system

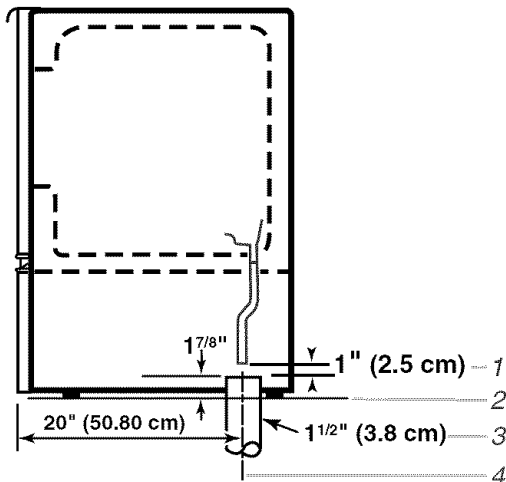
Connect the ice maker drain to your drain in accordance with all state and local codes and ordinances. If the ice maker is provided with a gravity drain system, follow these guidelines when installing drain lines. This will prevent water from flowing back into the ice maker storage bin and potentially flowing onto the floor causing water damage.

- Drain lines must have a minimum of $\frac{5}{8}$ in. (15.88 mm) inside diameter.
- Drain lines must have a 1 in. drop per 48 in. (2.54 cm drop per 122 cm) of run or $\frac{1}{4}$ in. drop per 12 in. (6.35 mm per 30.48 cm) and must not have low points where water can settle.
- The floor drains must be large enough to accommodate drainage from all drains.
- The ideal installation has a 1½ in. (3.81 cm) standpipe installed directly below the outlet of the drain tube as shown. You must maintain a 1 in. (2.54 cm) air gap between the drain pump hose and the standpipe.
- It may be desirable to insulate the drain line thoroughly up to the drain inlet.

After ensuring that the drain system is adequate, follow these steps to properly place the ice maker:

1. Plug in ice maker or reconnect power.
2. Re-check the ice maker to be sure that it is level. See the "Leveling" section.
3. Push the ice maker into position so that the ice maker drain tube is positioned over the standpipe.

SIDE VIEW



1. Drain Hose
2. 1 in. (2.54 cm) Air Gap
3. Standpipe
4. Center of drain should be 20 in. (50.80 cm) from front of door.

4. If it is required by your local sanitation code, seal the cabinet to the floor with an approved caulking compound after all water and electrical connections have been made.

Drain pump system (on some models)

Connect the drain pump hose (provided with the product) to your drain in accordance with all state and local codes and ordinances.

NOTE: If the drain hose becomes twisted and water cannot drain, your ice maker will not work.

Normal Sounds

Your new ice maker may make sounds that are not familiar to you. Because the sounds are new to you, you might be concerned about them. Most of the new sounds are normal. Hard surfaces like the floor, walls and cabinets can make the sounds seem louder than they actually are. The following describes the kinds of sounds that might be new to you and what may be making them.

- You will hear a buzzing sound when the water valve opens to fill the water reservoir for each cycle.
- Rattling noises may come from the flow of the refrigerant or the water line. Items stored on top of the ice maker can also make noises.
- The high efficiency compressor may make a pulsating or high pitched sound.
- Water running over the evaporator plate may make a splashing sound.
- Water running from the evaporator plate to the water reservoir may make a splashing sound.
- As each cycle ends, you may hear a gurgling sound due to the refrigerant flowing in your ice maker.
- You may hear air being forced over the condenser by the condenser fan.
- During the harvest cycle, you may hear a "thud" when the ice sheet slides from the evaporator onto the cutter grid.
- When you first start the ice maker, you may hear water running continuously. The ice maker is programmed to run a rinse cycle before it begins to make ice.

ICE MAKER USE

How Your Ice Maker Works

When you first start your ice maker, the water pan will fill and the system will rinse itself before starting to make ice. The rinsing process takes about five minutes.

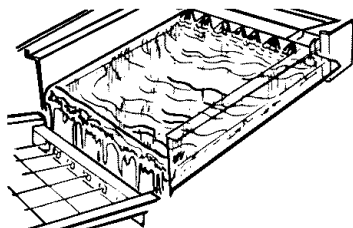
Under normal operating conditions, the ice maker will cycle at preset temperatures. The ice level sensor located in the ice storage bin will monitor the ice levels.

IMPORTANT:

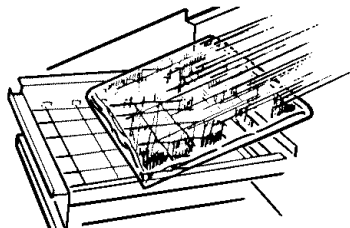
- If the water supply to the ice maker is turned off, be sure to set the ice maker control to OFF.
- The ice maker is designed to make clear ice from the majority of water sources on a daily basis. If your results are unsatisfactory, your water may need to be filtered or treated.

The Ice Making Process

1. Water is constantly circulated over a freezing plate. As the water freezes into ice, the minerals in the water are rejected. This produces a clear sheet of ice with a low mineral content.

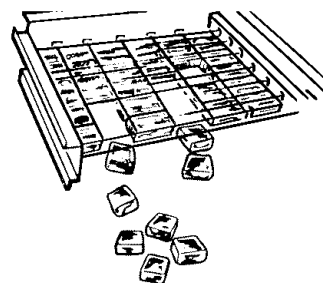


2. When the desired thickness is reached, the ice sheet is released and slides onto a cutter grid. The grid divides the sheet into individual cubes.



3. The water containing the rejected minerals is drained after each freezing cycle.
4. Fresh water enters the machine for the next ice making cycle.

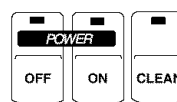
5. Cubes fall into the storage bin. When the bin is full, the ice maker shuts off automatically and restarts when more ice is needed. The ice bin is not refrigerated and some melting will occur. The amount of melting varies with room temperature.



NOTE: As the room and water temperatures vary, so will the amount of ice produced and stored. This means that higher operating temperatures result in reduced ice production.

Using the Controls

1. To start the normal ice making cycle, select ON.
2. To stop ice maker operation, select OFF.



NOTE: The CLEAN setting is used whenever solutions are circulated through the ice maker for cleaning. Only the water pump and compressor operate at this setting. See the "Cleaning Ice Maker System" section.

ICE MAKER CARE

Cleaning

The ice making system and the air cooled condenser need to be cleaned regularly for the ice maker to operate at peak efficiency and to prevent premature failure of system components. See the "Cleaning Ice Maker System" and the "Cleaning the Condenser" sections.

Exterior Surfaces

Wash the exterior enamel surfaces and gaskets with warm water and mild soap or detergent. Wipe and dry. Regular use of a good household appliance cleaner and wax will help protect the finish. Do not use abrasive cleaners on enamel surfaces as they may scratch the finish.

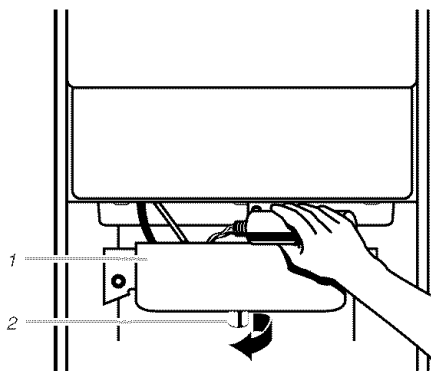
For products with a stainless steel exterior, use a clean sponge or soft cloth and a mild detergent in warm water. Do not use abrasive or harsh cleaners.

Ice Maker System

Minerals that are removed from water during the freezing cycle will eventually form a hard scaly deposit in the water system. Cleaning the system regularly helps remove the mineral scale buildup. How often you need to clean the system depends upon how hard your water is. With hard water of 15 to 20 grains/gal. (4 to 5 grains/liter), you may need to clean the system as often as every 6 months.

NOTE: Use one 16 oz (473 mL) bottle of NU-CALGON® Nickel Safe Ice Machine Cleaner. To order, call 1-800-442-9991 and ask for Part Number 8171307. In Canada, call 1-800-807-6777.

1. Push the selector switch to OFF.
2. Wait 5 to 10 minutes for the ice to fall into the storage bin. Remove all ice from the storage bin.
3. Unscrew the drain cap from the bottom of the water pan located inside the storage bin as shown. Allow the water to drain completely.
4. Replace the drain cap securely on the water pan. If the drain cap is loose, water will empty from the water pan and you will have either thin ice or no ice.
5. Read and follow all handling information on the cleaner bottle before completing the steps below. Use one 16 oz (473 mL) bottle of NU-CALGON® Nickel Safe Ice Machine Cleaner.
6. Pour one bottle of solution into the water pan. Fill the bottle twice with tap water and pour it into the water pan.



1. Water Pan
2. Drain Cap

7. Push the selector switch to CLEAN. (See the "Using the Controls" section.) The light will turn on, indicating that the cleaning cycle is in process. When the indicator light turns off (approximately 45 minutes), the cleaning cycle is complete. During the cleaning cycle, the system will both clean and rinse itself.
8. After the cleaning cycle is complete, remove the drain cap from the water pan to see if any cleaning solution is left in the water pan. If cleaning solution drains from the water pan, you should run the clean cycle again. Be sure to replace the drain cap securely on the water pan. If the drain cap is loose, water will empty from the water pan and you will have either thin ice or no ice.

NOTE: Severe scale buildup may require repeated cleaning with a fresh quantity of cleaning solution.

9. Push the selector switch to ON to resume ice production.

Condenser

A dirty or clogged condenser:

- Prevents proper airflow.
- Reduces ice making capacity.
- Causes higher than recommended operating temperatures which may lead to component failure.

⚠ WARNING



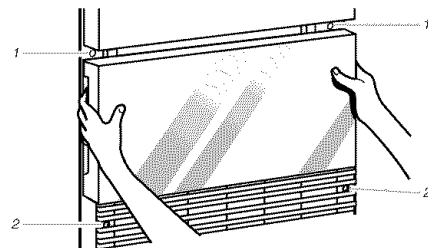
Electrical Shock Hazard

Disconnect power before cleaning.

Replace all panels before operating.

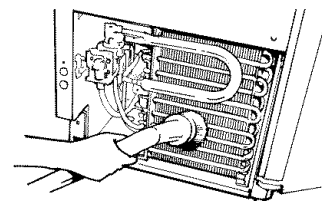
Failure to do so can result in death or electrical shock.

1. Unplug ice maker or disconnect power.
2. Remove the two screws in the lower access panel and the two screws from the base grille area of the front panel support. Pull forward to remove the lower access panel.
3. Pull the bottom forward and then pull down to remove the lower access panel.



1. Lower Access Panel Screws
2. Base Grille Screws

4. Remove dirt and lint from the condenser fins and the unit compartment with a brush attachment on a vacuum cleaner.

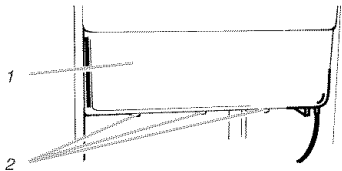


5. Replace the lower access panel using the four screws.
6. Plug in ice maker or reconnect power.

*Nu-Calgon is a trademark of Calgon Corporation.

Interior Components

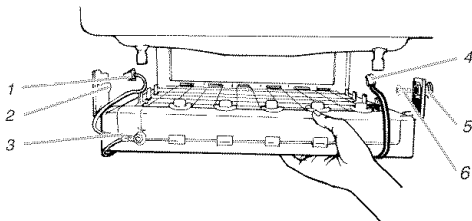
1. Unplug ice maker or disconnect power.
2. Open the storage bin door and remove any ice that is in the bin.
3. Remove the drain cap from the water pan and drain thoroughly. Replace the drain cap securely on the water pan. If the drain cap is loose, water will empty from the water pan, and you will have either thin ice or no ice.
4. Remove the three screws that hold the cutter grid cover in place.
5. Unplug the wiring harness from the left side of the cutter grid.



1. Cutter Grid Cover
2. Screws

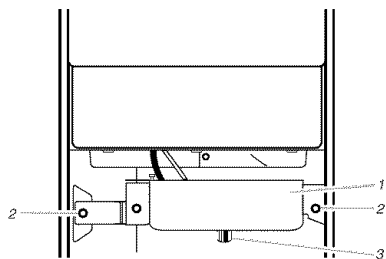
6. Unplug the ice level sensor from the right side of the cutter grid. Pull the ice level sensor down and forward away from the cutter grid.
7. Remove the right-hand and left-hand screws. Lift the cutter grid up and out.

NOTE: Make sure the plastic spacer from the right-hand side of the cutter grid bracket stays with the cutter grid.



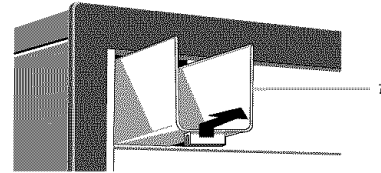
1. Cutter Grid Harness 4. Ice Level Sensor Harness
2. Screw 5. Plastic Spacer
3. Cutter Grid 6. Screw

8. Remove the two thumb screws that hold the water pan in place. Push down with one hand on the front of the pan while pulling forward on the bottom back side.



1. Water Pan
2. Water Pan Thumb Screws
3. Drain Cap

9. Remove, clean and replace the ice scoop and ice scoop holder.
 - After removing the ice scoop, remove the holder by lifting the front free from the cutter grid cover. Then lift the back of the holder slightly to release the rear hook and pull forward.
 - Wash the ice scoop holder along with the other interior components using the following instructions.
 - Replace the ice scoop holder by aligning the rear hook with the opening (the holder angles down slightly). Slide the holder back fully until the front rests securely on the cutter grid cover.



1. Ice Scoop Holder

10. Wash the interior components (cutter grid, exterior of hoses, and water pan) and the storage bin, door gasket, ice scoop, and ice scoop holder with mild soap or detergent and warm water. Rinse in clean water. Then clean the same parts with a solution of 1 tablespoon (15 mL) of household bleach in 1 gallon (3.8 L) warm water. Rinse again thoroughly in clean water.

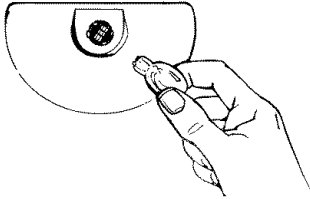
NOTE: Do not remove hoses. Do not wash plastic parts in dishwasher. They cannot withstand temperatures above 145°F (63°C).

11. Replace water pan by pushing back on the bottom with one hand while pushing up and back on the top. Secure the water pan by replacing both screws.
12. Check the following:
 - Drain cap from the water pan is securely in place. If the drain cap is loose, water will empty from the water pan, and you will have either thin ice or no ice.
 - Hose from water pan is inserted into storage bin drain opening.
13. Slide the cutter grid back into place and secure it by replacing the right-hand screw and plastic spacer. Then tighten the left-hand screw. Reconnect the cutter grid harness and the ice level sensor harness.
14. Plug in ice maker or reconnect power.

Changing the Light Bulb

The ice maker has a light bulb in the top of the storage bin. To replace it, open the bin door and follow these instructions:

1. Unplug ice maker or disconnect power.
2. Remove the three screws that hold the cutter grid cover in place. Reach behind the control panel and pull the light bulb down from the ceiling.
3. Replace with a 12-volt wedge base-type bulb (automotive #917). Locate the light bulb receptacle in the ceiling behind the control panel. Align the flat edge of the light bulb with the receptacle and snap the bulb into place.



4. Replace the cutter grid cover with three screws.
5. Plug in ice maker or reconnect power.

Vacation and Moving Care

⚠ WARNING



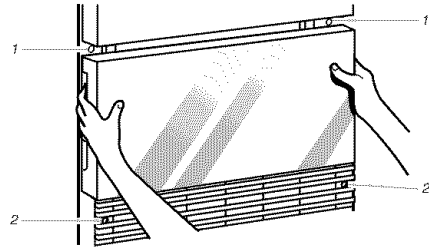
Electrical Shock Hazard

Disconnect power before servicing.
Replace all panels before operating.
Failure to do so can result in death or electrical shock.

To shut down the ice maker:

1. Unplug ice maker or disconnect power.
2. Remove all ice from storage bin.
3. Shut off the water supply.

4. Remove the two screws in the lower access panel and the two screws from the base grille area of the front panel support. Pull forward to remove the lower access panel.



1. Lower Access Panel Screws
2. Base Grille Screws

5. Disconnect the inlet and outlet lines to water valve. Allow these lines to drain and then reconnect to the valve.
6. Replace lower access panel and screws.
7. Drain water from water pan by removing the drain cap.
8. If the room temperature will drop below 32°F (0°C), remove water from the drain line.

For ice makers with a drain pump installed:

- Plug in ice maker or reconnect power.
 - Turn ice maker off and remove all remaining ice from ice bin.
 - Pour 1 quart (0.95 L) of water into the ice bin near the drain and let the unit stand for approximately five minutes. This will allow the water in the bin to drain into the drain pump so that the pump will remove the remaining water from the ice bin and the drain pump.
 - Unplug ice maker or disconnect power.
9. Before using again, clean the ice maker and storage bin.
 10. Plug into a grounded 3 prong outlet.

NOTE: All components of the ice maker are permanently lubricated at the factory. They should not require any additional oiling throughout the normal life of the machine.

TROUBLESHOOTING

Try the solutions suggested here first in order to avoid the cost of an unnecessary service call.

Unit does not run

- **Is the control set to ON?** Be sure that the control is set to ON.
 - **Is the power cord plugged in?** Plug into a grounded 3 prong outlet.
 - **Has a household fuse or circuit breaker tripped?** Replace the fuse or reset the circuit.
 - **Is the room temperature cooler than normal?** Room temperature must be above 55°F (13°C). Otherwise, bin thermostat may sense cold room temperature and shut off even though bin is not full of ice. Also, unit may not restart once it does shut off.
-

Unit runs but produces no ice

- **Is the control set to ON?** Be sure that the control is set to ON.
 - **Is the water supply connected?** Make sure the water supply is properly connected and turned on.
-

Unit runs but produces very little ice

- **Is the room temperature hotter than normal?** Room temperatures of more than 90°F (32°C) will normally reduce ice production.
 - **Is the condenser dirty?** Dirt or lint may be blocking the airflow through the condenser. See the “Cleaning Condenser” section.
 - **Is there scale buildup in the ice maker?** If there is white scale buildup in the ice maker’s water or freezing system, you should clean the ice maker. See the “Cleaning Ice Maker System” and the “Cleaning Interior Components” sections.
 - **Is the drain cap securely in place?** Tighten the drain cap if it is loose. If the drain cap is loose, water will empty from the water pan, and you will have either thin ice or no ice.
-

Grid is not cutting ice sheets

- **Is the cutter grid securely in place?** Unplug the ice maker or disconnect power. Remove the cutter grid cover and check the cutter grid harness plug to make sure the connection is secure.
-

Taste in ice cubes

- **Is there unusually high mineral content in the water supply?** The water may need to be filtered or treated.
 - **Are there food items stored in the ice bin?** Do not store any foods in the ice bin.
 - **Were all the packaging materials removed?** Make sure that all packaging materials were removed at the time of installation.
-

ASSISTANCE OR SERVICE

Before calling for assistance or service, please check "Troubleshooting." It may save you the cost of a service call. If you still need help, follow the instructions below.

When calling, please know the purchase date and the complete model and serial number of your appliance. This information will help us to better respond to your request.

If you need replacement parts

If you need to order replacement parts, we recommend that you only use factory specified replacement parts. Factory specified replacement parts will fit right and work right because they are made with the same precision used to build every new KITCHENAID® appliance.

To locate factory specified replacement parts in your area, call our Customer Interaction Center telephone number or your nearest designated service center.

In the U.S.A.

Call the KitchenAid Customer Interaction Center toll free: 1-800-422-1230.

Our consultants provide assistance with:

- Features and specifications on our full line of appliances.
- Installation information.
- Use and maintenance procedures.
- Accessory and repair parts sales.
- Specialized customer assistance (Spanish speaking, hearing impaired, limited vision, etc.).
- Referrals to local dealers, repair parts distributors, and service companies. KitchenAid designated service technicians are trained to fulfill the product warranty and provide after-warranty service, anywhere in the United States.

To locate the KitchenAid designated service company in your area, you can also look in your telephone directory Yellow Pages.

For further assistance

If you need further assistance, you can write to KitchenAid with any questions or concerns at:

KitchenAid Brand Home Appliances
Customer Interaction Center
553 Benson Road
Benton Harbor, MI 49022-2692

Please include a daytime phone number in your correspondence.

In Canada

Call the KitchenAid Canada Customer Interaction Center toll free: 1-800-461-5681 8:30 a.m. - 5:30 p.m. (EST).

Our consultants provide assistance with:

- Features and specifications on our full line of appliances.
- Referrals to local dealers.

For service in Canada

Call 1-800-807-6777. KitchenAid Canada designated service technicians are trained to fulfill the product warranty and provide after-warranty service, anywhere in Canada.

For further assistance

If you need further assistance, you can write to KitchenAid Canada with any questions or concerns at:

Customer Interaction Center
KitchenAid Canada
1901 Minnesota Court
Mississauga, Ontario L5N 3A7

Please include a daytime phone number in your correspondence.

KITCHENAID® ICE MAKER WARRANTY

ONE-YEAR FULL WARRANTY ON ICE MAKER

For one year from the date of purchase when this product is operated in a residential or light commercial setting, and is maintained according to the instructions furnished with the product, KitchenAid will pay for factory specified replacement parts and repair labor to correct defects in materials or workmanship. Service must be provided by a KitchenAid designated service company.

SECOND THROUGH FIFTH YEAR FULL WARRANTY SEALED REFRIGERATION SYSTEM PARTS AS LISTED

In second through fifth years from the date of purchase, KitchenAid will pay for replacement parts and repair labor costs to correct defects in materials or workmanship in the sealed refrigeration system. These parts are compressor, evaporator, condenser, dryer/strainer, and connecting tubing. Service must be performed by a KitchenAid designated service company.

KitchenAid will not pay for:

1. Service calls to correct the installation of your ice maker, to instruct you how to use your ice maker, to replace house fuses or correct house wiring or plumbing, to replace light bulbs.
 2. Repairs when your ice maker is used in locations where usage exceeds ice making capabilities of unit (about 50 pounds in 24 hours). This ice maker is intended only for residential and/or light commercial use that does not exceed these capabilities.
 3. Damage resulting from accident, alteration, misuse, abuse, fire, flood, acts of God, improper installation, or installation not in accordance with local electrical or plumbing codes, or use of product not approved by KitchenAid.
 4. Replacement parts or repair labor costs for units operated outside the United States and Canada.
 5. Pickup and delivery. This product is designed to be repaired in the home.
 6. Repairs to parts or systems resulting from unauthorized modifications made to the appliance.
 7. In Canada, travel or transportation expenses for customers who reside in remote areas.
-

KITCHENAID AND KITCHENAID CANADA SHALL NOT BE LIABLE FOR INCIDENTAL OR CONSEQUENTIAL DAMAGES.

Some states and provinces do not allow the exclusion or limitation of incidental or consequential damages, so this exclusion or limitation may not apply to you. This warranty gives you specific legal rights, and you may also have other rights which vary from state to state, province to province.

Outside the 50 United States and Canada, this warranty does not apply. Contact your local KitchenAid dealer to determine if another warranty applies.

If you need service, first see the "Troubleshooting" section of this book. After checking "Troubleshooting," additional help can be found by checking the "Assistance or Service" section or by calling the KitchenAid Customer Interaction Center, 1-800-422-1230 (toll-free), from anywhere in the U.S.A. For service in Canada, call 1-800-807-6777. 4/00

Keep this book and your sales slip together for future reference. You must provide proof of purchase or installation date for in-warranty service.

Write down the following information about your ice maker to better help you obtain assistance or service if you ever need it. You will need to know your complete model number and serial number. You can find this information on the model and serial number label, located on the inside left wall of the ice maker.

Dealer name _____
Address _____
Phone number _____
Model number _____
Serial number _____
Purchase date _____

SÉCURITÉ DE LA MACHINE À GLAÇONS

Votre sécurité et celle des autres est très importante.

Nous donnons de nombreux messages de sécurité importants dans ce manuel et sur votre appareil ménager. Assurez-vous de toujours lire tous les messages de sécurité et de vous y conformer.



Voici le symbole d'alerte de sécurité.

Ce symbole d'alerte de sécurité vous signale les dangers potentiels de décès et de blessures graves à vous et à d'autres.

Tous les messages de sécurité suivront le symbole d'alerte de sécurité et le mot "DANGER" ou "AVERTISSEMENT". Ces mots signifient :

⚠ DANGER

Risque possible de décès ou de blessure grave si vous ne suivez pas immédiatement les instructions.

⚠ AVERTISSEMENT

Risque possible de décès ou de blessure grave si vous ne suivez pas les instructions.

Tous les messages de sécurité vous diront quel est le danger potentiel et vous disent comment réduire le risque de blessure et ce qui peut se produire en cas de non-respect des instructions.

IMPORTANTES INSTRUCTIONS DE SÉCURITÉ

AVERTISSEMENT : Pour réduire le risque d'incendie, de choc électrique ou de blessures lors de l'utilisation de la machine à glaçons, il convient d'observer certaines précautions élémentaires :

- Brancher sur une prise à 3 alvéoles reliée à la terre.
- Ne pas enlever la broche de liaison à la terre.
- Ne pas utiliser un adaptateur.
- Ne pas utiliser un câble de rallonge.
- Utiliser deux ou plus de personnes pour déplacer et installer la machine à glaçons.
- Déconnecter la source de courant électrique avant le nettoyage.
- Déconnecter la source de courant électrique avant l'entretien.
- Remplacer tous les panneaux avant de faire la remise en marche.

CONSERVEZ CES INSTRUCTIONS

INSTALLATION DE LA MACHINE À GLAÇONS

Déballage

⚠️ AVERTISSEMENT

Risque du poids excessif

Utiliser deux ou plus de personnes pour déplacer et installer la machine à glaçons.

Le non-respect de cette instruction peut causer une blessure au dos ou d'autre blessure.

Enlèvement des matériaux d'emballage

Enlever le ruban adhésif et la colle de la machine à glaçons avant de l'utiliser.

- Pour enlever ce qui reste du ruban adhésif ou de la colle, frotter la surface vivement avec le pouce. La colle ou l'adhésif qui reste peut être facilement enlevée par frottement avec les doigts et une petite quantité de savon liquide pour la vaisselle sur l'adhésif. Rincer à l'eau tiède et essuyer.
- Ne pas utiliser d'instruments acérés, d'alcool à friction, de liquides inflammables ou de nettoyants abrasifs pour enlever le ruban adhésif ou la colle. Ces produits peuvent endommager la surface de votre machine à glaçons.

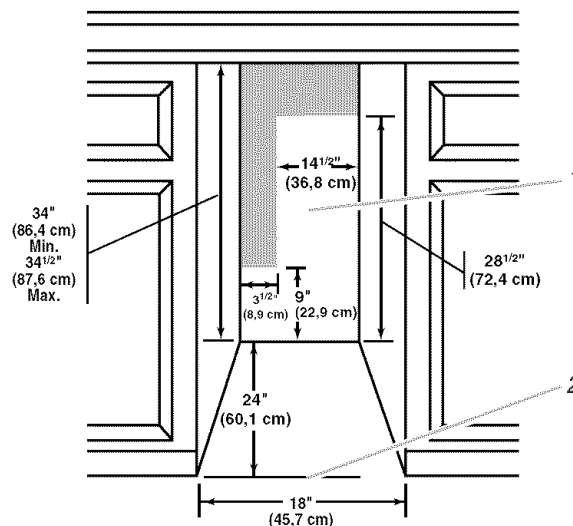
Nettoyage avant l'utilisation

Après avoir enlevé tous les matériaux d'emballage, nettoyer l'intérieur de la machine à glaçons avant de l'utiliser. Voir les instructions de nettoyage dans la section "Entretien de la machine à glaçons".

Emplacement d'installation

- Pour assurer une bonne aération de votre appareil, l'avant doit être complètement dégagé. Les autres côtés et le dessus de l'appareil peuvent être dissimulés, mais l'installation doit permettre de tirer la machine à glaçons vers l'avant pour y faire les travaux d'entretien requis.
- Pour installer la machine à glaçons, il faut avoir un tuyau d'alimentation en eau froide de ¼ po (6,35 mm) de dia. ext. en cuivre mou avec un robinet et un système de vidange par gravité ou une pompe à condensat pour pousser l'eau vers un drain existant.
- Choisir un endroit bien aéré où la température est supérieure à 55°F (13°C) et inférieure à 100°F (38°C). Pour tirer le meilleur rendement de l'appareil, la température ambiante doit se situer entre 70°F (21°C) et 90°F (32°C). Cet appareil DOIT être installé à un endroit protégé contre les éléments, comme le vent, la pluie, les embruns ou les égouttures.
- Lorsque l'appareil est installé sous un comptoir, observer les dimensions d'ouverture recommandées. Placer les composants électriques et de plomberie dans la zone recommandée à l'illustration.

REMARQUE : Il ne faut pas écraser ni pincer le câble d'alimentation électrique entre l'appareil et l'armoire.



1. Zone recommandée pour les composants électriques et de plomberie

2. Niveau du plancher

- Il est recommandé de choisir un emplacement où le plancher est uniforme. Il est important que la machine à glaçons soit d'aplomb pour bien fonctionner. Au besoin, il est possible de régler la hauteur de la machine à glaçons en changeant la position des roulettes arrière. Voir la section "Nivellement".

Spécifications électriques

⚠️ AVERTISSEMENT



Risque de choc électrique

Brancher sur une prise à 3 alvéoles reliée à la terre.

Ne pas enlever la broche de liaison à la terre.

Ne pas utiliser un adaptateur.

Ne pas utiliser un câble de rallonge.

Le non-respect de ces instructions peut causer un décès, un incendie ou un choc électrique.

Avant de pousser la machine à glaçons à sa place définitive, il faut s'assurer que le raccordement électrique a été bien fait.

Il faut un circuit d'alimentation électrique CA de 115 volts, 60 Hz, de seulement 15 ampères mis à la terre conformément aux instructions du Code national de l'électricité et des codes et règlements locaux.

Il est recommandé de réserver un circuit spécial à la machine à glaçons. Utiliser une boîte où l'alimentation ne peut pas être coupée à l'aide d'un interrupteur ou d'une chaînette.

Méthode de mise à la terre recommandée

Pour votre propre sécurité, cet appareil doit être mis à la terre. L'appareil comporte un cordon d'alimentation électrique à trois broches pour la mise à la terre. Pour minimiser les risques de choc électrique, le cordon d'alimentation électrique doit être branché sur une prise de courant murale mise à la terre correspondante à trois alvéoles où la mise à la terre a été faite conformément au Code national de l'électricité et aux codes et règlements locaux. S'il n'y a pas de prise de courant correspondante, il incombe au client de faire installer une prise de courant murale à trois alvéoles mise à la terre de façon appropriée par un électricien qualifié.

Nivellement

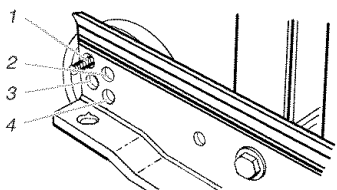
Il est important que la machine à glaçons soit d'aplomb pour bien fonctionner. Selon l'endroit où vous installez la machine à glaçons, vous pourrez avoir à effectuer plusieurs ajustements pour la mettre d'aplomb.

Outillage requis

- Niveau
- Clé à molette
- Clé à douille de ¼ po

Installation sous un comptoir

Si vous installez la machine à glaçons sous un comptoir, il vous faudra peut-être ajuster la hauteur de la machine. Les roulettes arrière réglables sont préréglées à la position 1 pour une ouverture de 34 po (86,4 cm) de hauteur.



1. Pour une hauteur d'encastrement de 34 po (86,4 cm)
2. Pour une hauteur d'encastrement de 34 1/8 po (86,7 cm)
3. Pour une hauteur d'encastrement de 34 5/16 po (87,2 cm)
4. Pour une hauteur d'encastrement de 34 1/2 po (87,6 cm)

Réglage de la hauteur des roulettes arrière

1. Au moyen d'une clé à douille de ¼ po, enlever les cinq vis du panneau d'accès arrière et retirer soigneusement le panneau en l'éloignant du tuyau d'évacuation.
2. Au moyen d'une clé de 3/8 po ou à molette, ôter la vis qui retient la roulette arrière.
REMARQUE : Pousser sur la partie arrière supérieure de la machine à glaçons pour réduire une partie du poids sur les roulettes arrière. Il est ainsi plus facile d'enlever les vis.
3. Déplacer la roulette arrière et la vis à une nouvelle position en fonction de la hauteur d'encastrement nécessaire. Serrer la vis complètement.
4. Répéter les étapes 2 et 3 pour changer la position de la roulette de l'autre côté.
5. Réinstaller le panneau arrière et les vis. S'assurer que le tuyau d'évacuation se trouve dans l'ouverture fournie.
6. Utiliser les pieds de nivellement avant pour vous assurer que le produit est d'aplomb.

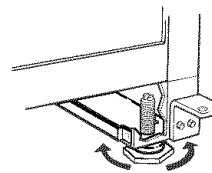
Ajustement des pieds de nivellement avant

La machine à glaçons comporte 2 pieds de nivellement réglables pour vous aider à stabiliser le produit et à vous assurer qu'il est d'aplomb.

REMARQUE : Il est plus facile d'ajuster les pieds de nivellement si on se fait aider par une autre personne.

1. Placer un niveau sur le dessus du produit pour voir si la machine à glaçons est d'aplomb d'avant en arrière et transversalement.
2. Pousser vers le haut sur la partie avant de la machine à glaçons pour repérer les vis de nivellement qui se trouvent au bas à l'avant du produit.
3. Au moyen d'une clé à molette, modifier la hauteur des pieds comme suit :
 - Tourner le pied de nivellement vers la droite pour abaisser ce côté de la machine à glaçons.
 - Tourner le pied de nivellement vers la gauche pour soulever ce côté de la machine à glaçons.

REMARQUE : La machine à glaçons ne devrait pas osciller. Utiliser des cales pour accroître la stabilité au besoin.



4. Utiliser un niveau pour revérifier que la machine à glaçons est d'aplomb d'avant en arrière et transversalement. Si elle n'est pas d'aplomb, répéter les étapes 2 et 3. Si la machine est d'aplomb, passer à la section "Raccordement à l'alimentation en eau".

Installation autoportante

Si vous n'installez pas la machine à glaçons dans un encastrement, il ne sera probablement pas nécessaire d'ajuster la hauteur des roulettes. Suivre les étapes décrites à "Ajustement des pieds de nivellement avant" plus haut dans cette section.

REMARQUE : La machine à glaçons ne devrait pas osciller. Utiliser des cales pour accroître la stabilité au besoin.

Raccordement de la canalisation d'eau

Lire toutes les instructions avec soin avant de commencer.

IMPORTANT :

- Toutes les installations doivent respecter les codes locaux de plomberie.
- Utiliser une tuyauterie en cuivre et voir s'il y a des fuites.
- Installer les tuyaux en cuivre uniquement là où les températures resteront supérieures au point de congélation.

Outils requis :

- Tournevis ordinaire
- Clés ouvertes de 7/16 po et de 1/2 po ou deux clés à molette
- Tourne-écrou de 1/4 po
- Mèche de 1/4 po
- Perceuse manuelle ou électrique convenablement mise à la terre

REMARQUE : Votre marchand de machine à glaçons a une trousse de robinet d'arrêt à étrier de 1/4 po (6,35 mm), un raccord-union et tube en cuivre. Avant de faire un achat, s'assurer que le robinet d'arrêt à étrier respecte les codes locaux de plomberie. Ne pas utiliser de robinet d'arrêt à étrier perforant ou de 3/16 po (4,76 mm) qui réduit le débit d'eau et qui se bouche plus facilement.

Raccordement du tuyau d'eau :

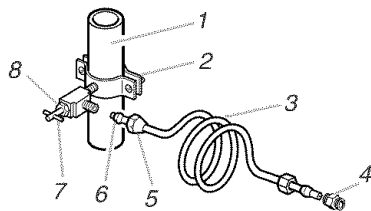
1. Couper l'alimentation principale en eau. Ouvrir le robinet le plus proche suffisamment longtemps pour vider le tuyau de son eau.
2. Trouver un tuyau vertical d'alimentation en eau froide de ½ po (12,70 mm) à 1¼ po (3,18 cm) à proximité de la machine à glaçons.

REMARQUE : On peut alimenter le réfrigérateur à partir d'une canalisation horizontale, mais on doit observer les précautions suivantes : Percer par le dessus de la canalisation et non pas par le dessous. Ainsi, l'eau ne risquera pas d'arroser la perceuse. Ceci empêche également les sédiments qu'on trouve normalement dans l'eau de s'accumuler dans le robinet d'arrêt.

3. Utiliser une perceuse mise à la terre et percer un orifice de ¼ po (6,35 mm) dans le tuyau d'alimentation en eau froide que vous avez choisi.
4. Installer le robinet d'arrêt sur le tuyau d'alimentation en eau à l'aide d'un étrier pour tuyau. Il faut s'assurer que l'extrémité de sortie est bien insérée dans l'orifice percé de ¼ po (6,35 mm) dans le tuyau d'alimentation en eau et que la rondelle se trouve sous l'étrier du tuyau. Serrer l'écrou de la garniture. Serrer les vis de l'étrier du tuyau avec soin et uniformément afin que la rondelle établisse un scellement étanche. Ne pas serrer l'étrier du tuyau à l'excès sans quoi le tuyau d'alimentation en eau froide pourrait être écrasé s'il s'agit d'un tuyau en cuivre mou. Ne pas utiliser un robinet à étrier de ⅜ po (4,76 mm) qui pourrait réduire le débit d'eau et se boucher plus facilement.
5. Le moment est maintenant venu de raccorder le tuyau en cuivre. Utiliser un tuyau en cuivre mou de ¼ po (6,35 mm) de dia. ext. pour l'alimentation en eau froide.

■ Mesurer à partir du raccord à l'avant de la machine à glaçons jusqu'au tuyau d'eau froide. Ajouter 3 pieds (91,4 cm) pour être certain que la longueur est suffisante. Cette mesure représente la longueur de tuyau de cuivre mou de ¼ po (6,35 mm) de dia. ext. requise pour faire le raccordement. Il faut s'assurer que les deux extrémités du tuyau en cuivre sont bien coupées à 90 degrés.

- Installer le manchon et l'écrou à compression sur le tuyau en cuivre (voir l'illustration). Insérer l'extrémité du tube aussi profondément que possible dans l'extrémité de sortie et à l'équerre. Visser l'écrou à compression sur l'extrémité de la sortie à l'aide d'une clé à molette. Ne pas serrer à l'excès.



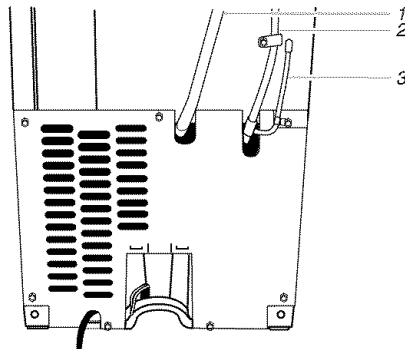
- | | |
|---------------------------------------|--------------------------|
| 1. Tuyau d'alimentation en eau froide | 5. Écrou de compression |
| 2. Étrier | 6. Manchon à compression |
| 3. Tuyau en cuivre | 7. Robinet d'arrêt |
| 4. Raccord (acheté) | 8. Écrou de la garniture |

6. Placer l'extrémité libre dans un contenant ou un évier et rétablir l'alimentation principale en eau pour nettoyer le tuyau jusqu'à ce que l'eau sorte propre. Fermer le robinet d'arrêt sur le tuyau d'alimentation en eau.

REMARQUE : Il faut toujours vidanger le tuyau d'alimentation en eau avant de faire le raccordement final sur l'entrée du robinet pour prévenir tout mauvais fonctionnement possible du robinet.

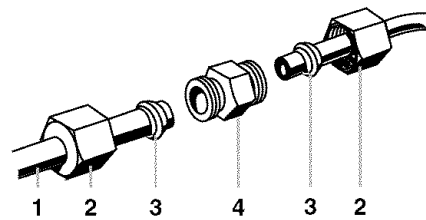
7. Une fois que la machine est en place, retirer les deux vis du panneau d'accès inférieur et les deux vis de la grille de base du support du panneau avant. Tirer vers l'avant pour retirer le panneau d'accès inférieur.
8. Placer le tube de sorte qu'il puisse entrer dans l'un des deux orifices d'accès situés du côté droit, à l'arrière de la machine (voir l'illustration). Le tuyau devrait dépasser au-delà de l'avant de la machine lorsque cette dernière est à sa place finale. Mettre la machine à glaçons en position.

VUE ARRIÈRE



1. Tuyau de vidange (modèles à pompe de vidange seulement)
2. Tuyau d'évent (modèles à pompe de vidange seulement)
3. Canalisation d'alimentation en eau

9. Courber le tuyau de cuivre de façon à faire un raccordement sur l'entrée du robinet qui se trouve à l'avant de la caisse de la machine à glaçons (voir l'illustration).
10. Visser l'écrou fourni sur le raccord à l'extrémité du tube en cuivre. Serrer l'écrou manuellement. Le serrer ensuite deux tours de plus avec une clé. Ne pas serrer excessivement.

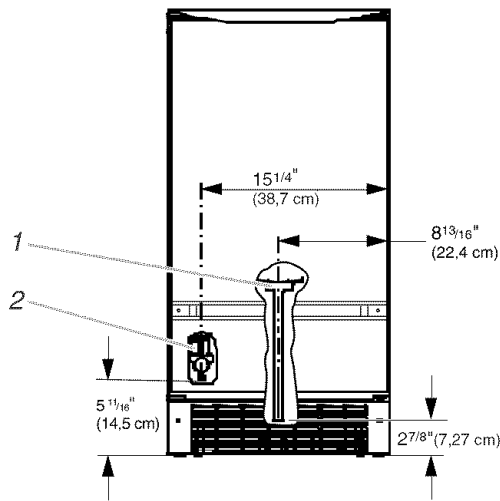


1. Canalisation vers la machine à glaçons
2. Écrou (fourni)
3. Bague d'extrémité (achetée)
4. Raccord (acheté)

11. Dévisser le couvercle de l'entrée du robinet d'alimentation en eau et installer le tuyau en cuivre à l'aide du manchon et de l'écrou de compression.

REMARQUE : Pour empêcher les bruits de tuyauterie, il faut s'assurer que les tuyaux en cuivre ne touchent pas les parois de la machine à glaçons ni d'autres composants intérieurs.

VUE AVANT



1. Vidange du bac à eau
2. Robinet

12. Ouvrir le robinet d'arrêt.

13. Voir s'il y a des fuites. Serrer les raccords (y compris les raccords au niveau du robinet) ou les écrous qui fuient.

REMARQUE : La machine à glaçons comprend un filtre à eau. Si l'eau utilisée oblige à nettoyer périodiquement ce filtre ou si la machine est raccordée à un réseau de tuyaux provenant d'un puits, il faudrait installer un deuxième filtre à eau. Il est possible d'obtenir un filtre à eau chez votre marchand le plus proche; il faut ensuite l'installer sur l'un ou l'autre des raccords du tuyau.

14. Remettre le panneau d'accès inférieur en place et le fixer à l'aide des deux vis.

Raccordement de la vidange

Vidange par gravité

Raccorder le tuyau de vidange de la machine à glaçons à votre drain de vidange conformément à tous les codes et règlements locaux et d'État. Si la machine à glaçons est fournie avec un drain de vidange par gravité, il faut suivre les instructions ci-dessous lors de l'installation des tuyaux de vidange pour que l'eau ne refoule pas dans le bac d'entreposage de la machine à glaçons et peut-être même sur le plancher et y causer des dommages.

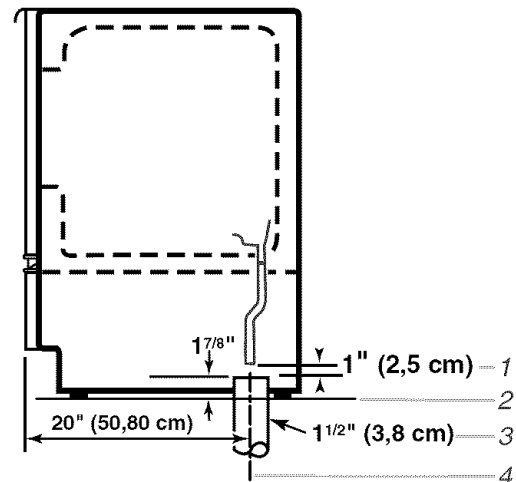
- Les tuyaux de vidange doivent avoir au moins $\frac{5}{8}$ po (15,88 mm) de diamètre intérieur.
- Les tuyaux de vidange doivent avoir une pente de 1 po par 48 po (25,40 mm par 122 cm) de longueur ou $\frac{1}{4}$ po par 12 po (6,35 mm par 30,48 cm) et ne comporter aucun point bas où l'eau pourrait stagner.

- Les drains de vidange de plancher doivent être suffisamment grands pour recevoir l'eau de vidange provenant de toutes sources.
- L'installation idéale comporte un tuyau de rejet à l'égout de $1\frac{1}{2}$ po (3,81 cm) installé immédiatement sous la sortie du tube de vidange. Il faut maintenir un écart anti-retour de 1 po (25,40 mm) entre le tuyau de la pompe de vidange et le tuyau de rejet à l'égout.
- Il sera peut-être souhaitable d'isoler le tuyau de vidange complètement jusqu'à l'entrée du drain de vidange.

Après avoir vérifié que le système de vidange est adéquat, il faut procéder tel que décrit ci-dessous pour bien mettre la machine à glaçons en place.

1. Brancher la machine à glaçons ou reconnecter la source de courant électrique.
2. Vérifier à nouveau la machine à glaçons pour s'assurer qu'elle est bien d'aplomb. Voir la section "Nivellement".
3. Pousser la machine à glaçons à sa place de sorte que le tuyau de vidange de la machine soit placé au-dessus du tuyau de rejet à l'égout.

VUE LATÉRALE



1. Tuyau de vidange
2. Écart anti-retour de 1 po (2,54 cm)
3. Tuyau de rejet à l'égout
4. Le centre du drain devrait se trouver à 20 po (50,8 cm) du devant de la porte

4. Si le code sanitaire local l'exige, sceller la machine sur le plancher à l'aide d'un produit de calfeutrage approuvé une fois que les raccords d'eau et d'électricité ont été faits.

Système à pompe de vidange (sur certains modèles)

Raccorder le tuyau de la pompe de vidange fournie avec la machine au drain de vidange conformément à tous les codes et règlements locaux ou d'État.

REMARQUE : Si le tuyau de vidange est tordu et si l'eau ne peut s'écouler, la machine à glaçons ne fonctionnera pas.

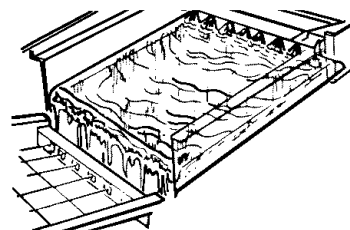
Sons normaux

Il est possible que votre nouvelle machine à glaçons émette des bruits qui ne vous sont pas familiers. Comme ces bruits sont nouveaux, ils peuvent vous inquiéter. La plupart de ces nouveaux bruits sont normaux. Des surfaces dures comme le plancher, les murs et les armoires peuvent faire paraître les bruits plus forts qu'en réalité. Les descriptions suivantes indiquent les genres de bruits qui peuvent être nouveaux pour vous et leur cause.

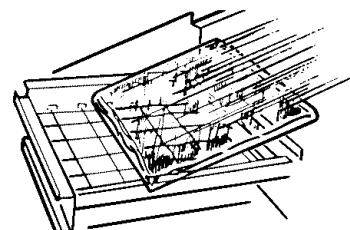
- Vous entendrez un bourdonnement lorsque la valve d'eau s'ouvre pour remplir le réservoir d'eau pour chaque programme.
- Des vibrations sonores peuvent provenir de l'écoulement du réfrigérant, de la canalisation d'eau ou d'articles placés sur la machine à glaçons.
- Le compresseur à haute efficacité peut produire un son aigu ou de pulsation.
- L'eau coulant sur la plaque d'évaporation peut produire un son d'éclaboussement.
- L'eau coulant de la plaque d'évaporation au réservoir d'eau peut produire un son d'éclaboussement.
- À la fin de chaque programme, vous pouvez entendre un gargouillement attribuable au réfrigérant qui circule dans votre machine à glaçons.
- Vous pouvez entendre de l'air qui est transmis au condenseur par le ventilateur du condenseur.
- Au cours du programme de récolte, vous pouvez entendre un "bruit sourd" lorsque la plaque de glace glisse de l'évaporateur sur la grille de coupe.
- Lors de la mise en marche initiale de la machine à glaçons, il est possible que vous entendiez l'eau couler continuellement. La machine à glaçons est programmée pour effectuer un programme de rinçage avant de commencer à fabriquer de la glace.

Fabrication de la glace

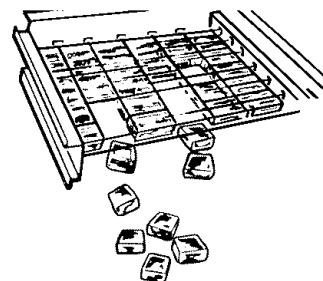
1. L'eau circule constamment sur un plateau de congélation. Tandis que l'eau se congèle, les minéraux qu'elle contient sont expulsés. Il en résulte une plaque de glace transparente, à faible teneur en minéraux.



2. Une fois qu'elle a atteint l'épaisseur désirée, la plaque de glace se dégage et glisse dans une grille de coupe, où elle est taillée en glaçons.



3. L'eau contenant les déchets minéraux est évacuée après chaque programme de congélation.
4. De l'eau fraîche s'infiltré de nouveau dans la machine en vue du prochain programme de fabrication de glaçons.
5. Les glaçons tombent dans le bac à glaçons. La machine à glaçons s'arrête automatiquement dès que le bac est plein, et elle se remet en marche lorsqu'il faut plus de glaçons. Le bac à glaçons n'est pas réfrigéré et la glace fondra un peu. Le degré de fonte dépend de la température de la pièce.



REMARQUE : Selon les variations de températures de la pièce et de l'eau, la quantité de glace produite et entreposée variera. Ceci signifie que les températures de fonctionnement plus élevées donnent une production de glace réduite.

UTILISATION DE LA MACHINE À GLAÇONS

Fonctionnement de la machine à glaçons

Lors de la mise en marche initiale de la machine à glaçons, le bac d'eau se remplira et le système se rincera avant de commencer à fabriquer de la glace. Le rinçage prend environ cinq minutes.

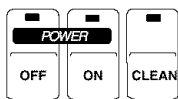
Dans les conditions de fonctionnement normales, la machine à glaçons se mettra en marche à des températures pré-réglées. Le détecteur de niveau de glace dans le bac à glaçons contrôlera les niveaux de glace.

IMPORTANT :

- Si l'alimentation en eau à la machine à glaçons est fermée, s'assurer que la commande de la machine à glaçons est à OFF.
- La machine à glaçons est conçue pour fabriquer de la glace transparente de la majorité des sources d'eau sur une base quotidienne. Si les résultats sont insatisfaisants, il faudra peut-être filtrer ou traiter l'eau.

Utilisation des commandes

1. Pour mettre en marche le programme normal de fabrication de glaçons, choisir ON.
2. Pour arrêter la machine à glaçons, choisir OFF.



REMARQUE : Le réglage CLEAN est utilisé lorsqu'on fait circuler des solutions dans la machine à glaçons pour le nettoyage. Seuls la pompe à eau et le compresseur fonctionnent à ce réglage. Voir la section "Nettoyage du système de la machine à glaçons".

ENTRETIEN DE LA MACHINE À GLAÇONS

Nettoyage

Inspecter et nettoyer périodiquement la machine à glaçons pour qu'elle fonctionne toujours à son efficacité maximum et pour prévenir toute panne prématurée de ses composants. Voir la section "Nettoyage du système de la machine à glaçons" et "Nettoyage du condenseur".

Surfaces extérieures

Laver les surfaces extérieures en émail et les joints étanches avec de l'eau chaude et un savon doux ou un détergent. Essuyer et sécher. L'utilisation régulière d'un bon produit de nettoyage et de cire domestique aidera à protéger la finition. Ne pas utiliser de produits de nettoyage abrasifs sur les surfaces émaillées pour ne pas érafler la finition.

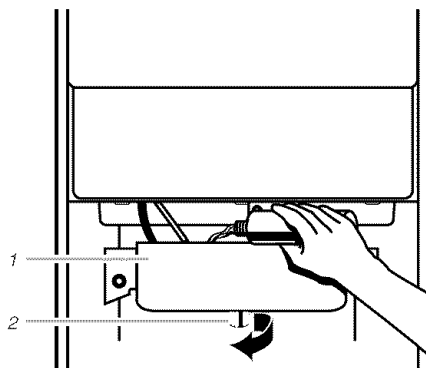
Pour les produits avec surface extérieure en acier inoxydable, utiliser une éponge ou un linge propre et un détergent doux avec de l'eau chaude. Ne pas utiliser de produits de nettoyage abrasifs ou rudes.

Nettoyage du système de la machine à glaçons

Les minéraux rejetés par la circulation de l'eau pendant la congélation formeront éventuellement un dépôt dur dans le système. Nettoyer périodiquement le système de formation des glaçons aide à enlever les dépôts accumulés de minéraux. La fréquence des nettoyages sera fonction de la dureté de l'eau. Lorsque l'eau est dure (15 à 20 grains/gal. [4 à 5 grains/litre]), vous devrez faire des nettoyages probablement à tous les six mois.

REMARQUE : Utiliser une bouteille de 16 oz (473 mL) de NU-CALGON*, un nettoyant de machine à glaçons sauf pour le nickel. Pour le commander, composer le 1-800-442-9991 et demander le numéro de pièce 8171307. Au Canada, composer le 1-800-807-6777.

1. Placer le sélecteur en position OFF.
2. Attendre de 5 à 10 minutes que la glace tombe dans le bac d'entreposage. Retirer toute la glace du bac d'entreposage.
3. Dévisser le capuchon de vidange du bas du bac à eau situé à l'intérieur du bac d'entreposage. Laisser l'eau se vidanger complètement.
4. Réinstaller le capuchon de vidange solidement sur le bac à eau. Si le capuchon de vidange est desserré, l'eau s'écoulera du bac à eau et la glace sera mince ou il n'y aura pas de glace.
5. Lire et suivre toutes les instructions apparaissant sur la bouteille avant de suivre les étapes suivantes. Utiliser une bouteille de 16 oz (473 mL) de NU-CALGON*, un nettoyant de machine à glaçons sauf pour le nickel.
6. Verser une bouteille de cette solution dans le bac à eau. Remplir la bouteille à deux reprises avec de l'eau du robinet et verser le contenu dans le bac à eau.



1. Bac à eau
2. Capuchon de vidange

*Nu-Calgon est une marque de commerce de Calgon Corporation.

- Placer le sélecteur en position CLEAN (nettoyage). (Voir la section "Utilisation des commandes".) Le voyant s'allume pour indiquer que le programme de nettoyage est en cours. Lorsque le voyant indicateur s'éteint (après 45 minutes environ), le cycle de nettoyage est terminé. Pendant le cycle de nettoyage, le système se nettoie et se rince.
- Lorsque le programme de nettoyage est terminé, retirer le capuchon de vidange du bac à eau pour voir s'il reste encore un résidu de solution de nettoyage dans le bac à eau. Si la solution de nettoyage se vidange du bac à eau, recommencer le cycle de nettoyage. Veiller à réinstaller le capuchon de vidange solidement sur le bac à eau. Si le capuchon de vidange est desserré, l'eau s'écoulera du bac à eau et la glace sera mince ou il n'y aura pas de glace.

REMARQUE : Les accumulations importantes de calcaire pourraient nécessiter des nettoyages répétés avec une quantité fraîche de solution de nettoyage.

- Remettre le sélecteur en position ON pour recommencer la production de glaçons.

Condenseur

Un condenseur sale ou bouché :

- Empêche l'air de bien circuler.
- Réduit la capacité de production des glaçons.
- Entraîne des températures d'utilisation supérieures à celles recommandées, ce qui pourrait entraîner des pannes.

⚠ AVERTISSEMENT



Risque de choc électrique

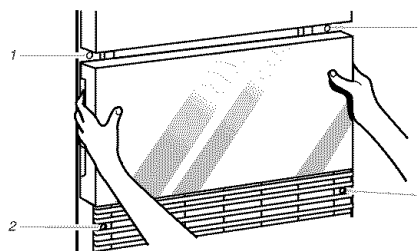
Déconnecter la source de courant électrique avant le nettoyage.

Replacer tous les panneaux avant de faire la remise en marche.

Le non-respect de ces instructions peut causer un décès ou un choc électrique.

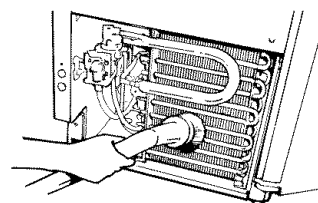
- Débrancher la machine à glaçons ou déconnecter la source de courant électrique.
- Retirer les deux vis du panneau d'accès inférieur et les deux vis de la grille de base du support du panneau avant. Tirer vers l'avant pour retirer le panneau d'accès inférieur.

- Tirer le bas vers l'avant, puis tirer vers le bas pour retirer le panneau d'accès inférieur.



1. Vis du panneau d'accès inférieur
2. Vis de la grille de la base

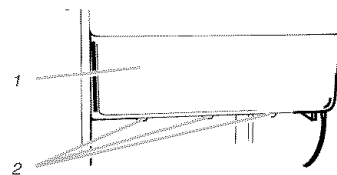
- Retirer la saleté et la charpie déposées sur les ailettes du condenseur et du logement de l'unité de condensation à l'aide de la brosse d'un aspirateur.



- Remettre le panneau d'accès inférieur en place et le fixer à l'aide des quatre vis.
- Brancher la machine à glaçons ou reconnecter la source de courant électrique.

Nettoyage des composants intérieurs

- Débrancher la machine à glaçons ou déconnecter la source de courant électrique.
- Ouvrir la porte où se trouve le bac à glaçons et retirer tout glaçon qui s'y trouve.
- Retirer le capuchon de vidange du réservoir d'eau et vidanger ce dernier complètement. Réinstaller le capuchon de vidange solidement sur le bac à eau. Si le capuchon de vidange est desserré, l'eau s'écoulera du bac à eau et la glace sera mince ou il n'y aura pas de glace.
- Retirer les trois vis qui retiennent le couvercle de la grille de coupe en place.
- Débrancher le faisceau de câblage du côté gauche de la grille de coupe.

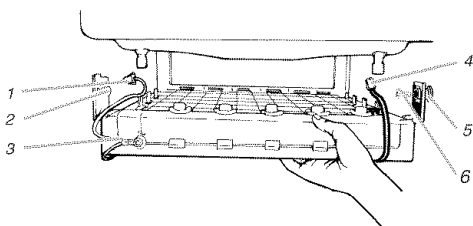


1. Couvercle de la grille de coupe
2. Vis

- Débrancher le détecteur de niveau de glaçons du côté droit de la grille de coupe. Tirer le détecteur de niveau vers le bas et vers l'avant pour l'éloigner de la grille de coupe.

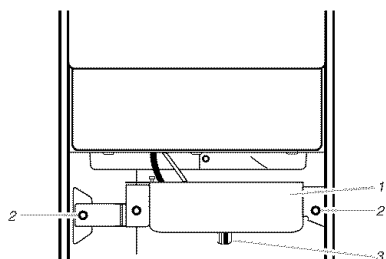
7. Retirer les vis de droite et de gauche. Soulever la grille de coupe et la sortir.

REMARQUE : Il faut s'assurer que la cale d'écartement en plastique du côté droit du support de la grille de coupe suit cette dernière.



1. Faisceau de la grille de coupe
2. Vis
3. Grille de coupe
4. Faisceau du détecteur de niveau de glaçons
5. Cale d'écartement en plastique
6. Vis

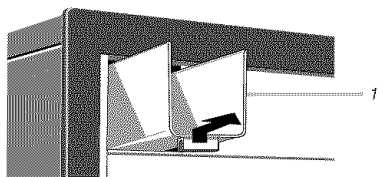
8. Retirer les deux vis à ailette du bac à eau en place. Appuyer avec une main sur l'avant du bac tout en tirant vers l'avant sur le côté arrière inférieur.



1. Bac à eau
2. Vis à ailette du bac à eau
3. Capuchon de vidange

9. Retirer, nettoyer et réinstaller la pelle à glace et son support.

- Après avoir retiré la pelle à glace, retirer le support en soulevant l'avant pour le séparer du couvercle de la grille de coupe. Soulever ensuite l'arrière du support légèrement pour dégager le crochet arrière et tirer vers l'avant.
- Laver le support de la pelle à glace avec les autres composants intérieurs conformément aux instructions suivantes.
- Réinstaller le support de pelle à glace en alignant le crochet arrière avec l'ouverture (le support penche légèrement vers le bas). Glisser le support vers l'arrière jusqu'à ce que l'avant repose solidement sur le couvercle de la grille de coupe.



1. Support de pelle à glace

10. Laver les composants intérieurs (grille de coupe, l'extérieur des tuyaux et le bac à eau), le bac d'entreposage des glaçons, le joint étanche de la porte et la pelle à glaçons avec de l'eau tiède et un savon ou un détergent doux. Rincer avec de l'eau propre. Nettoyer ensuite ces mêmes composants à l'aide d'une solution comprenant 1 cuillère à soupe (15 mL) d'agent de blanchiment dans 1 gallon (3,8 L) d'eau tiède. Rincer à nouveau à fond avec de l'eau propre.

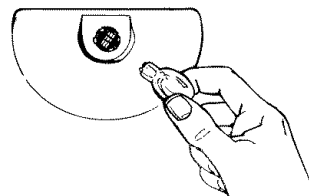
REMARQUE : Ne pas retirer les tuyaux. Ne pas laver les composants en plastique au lave-vaisselle. Ces composants ne résistent pas à des températures supérieures à 145°F (63°C).

11. Remettre le bac à eau en place en appuyant sur le fond avec une main tout en poussant vers le haut et vers l'arrière sur le dessus. Fixer le bac à eau en mettant les deux vis en place.
12. Faire les vérifications suivantes :
- Le capuchon de vidange du bac à eau est solidement en place. Si le capuchon de vidange est desserré, l'eau s'écoulera du bac à eau et la glace sera mince ou il n'y aura pas de glace.
 - Le tuyau provenant du bac à eau est inséré dans l'ouverture de vidange du bac d'entreposage.
13. Glisser la grille de coupe en place et la fixer en remettant la vis du côté droit et la cale d'espacement en plastique. Serrer ensuite la vis du côté gauche. Reconnecter les faisceaux de la grille de coupe et du détecteur de niveau de glaçons.
14. Brancher la machine à glaçons ou reconnecter la source de courant électrique.

Changement de l'ampoule d'éclairage

La machine à glaçons comporte une ampoule d'éclairage à la partie supérieure du bac à glaçons. Pour la remplacer, ouvrir la porte et suivre les instructions suivantes :


1. Débrancher la machine à glaçons ou déconnecter la source de courant.
2. Ôter les 3 vis qui retiennent en place le couvercle de la grille de coupe. Passer la main derrière le tableau de commande et tirer l'ampoule d'éclairage vers le bas.
3. Remplacer l'ampoule par une ampoule à culot poussoir de 12 volts (automobile n° 917). Repérer le réceptacle de l'ampoule dans le plafond derrière le tableau de commande. Aligner le bord plat de l'ampoule avec le réceptacle et emboîter l'ampoule dans le socle.



4. Réinstaller le couvercle de la grille de coupe avec les 3 vis.
5. Brancher la machine à glaçons ou reconnecter la source de courant électrique.

Précautions à prendre pour les vacances ou le déménagement

⚠ AVERTISSEMENT



Risque de choc électrique

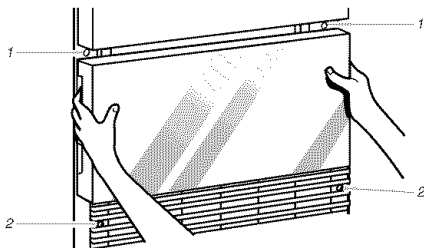
Déconnecter la source de courant électrique avant l'entretien.

Replacer tous les panneaux avant de faire la remise en marche.

Le non-respect de ces instructions peut causer un décès ou un choc électrique.

Arrêt de la machine à glaçons :

1. Débrancher la machine à glaçons, ou interrompre l'alimentation de l'appareil.
2. Enlever tous les glaçons du bac d'entreposage.
3. Interrompre l'arrivée d'eau.
4. Enlever les deux vis du panneau de l'ouverture d'accès inférieure et les deux vis de la grille de la base (support du panneau avant). Tirer vers l'avant pour enlever le panneau de l'ouverture d'accès inférieure.



1. Vis du panneau d'accès inférieur
2. Vis de la grille de la base

5. Déconnecter les canalisations d'entrée et sortie sur la vanne à eau. Laisser l'eau s'écouler des canalisations, puis reconnecter les canalisations.
6. Réinstaller le panneau de l'ouverture d'accès inférieure et les vis.
7. Évacuer l'eau du bac à eau (ôter le bouchon de drainage).
8. Si la température de la pièce s'abaissera à moins de 32°F (0°C), éliminer tout résidu d'eau dans le conduit de drainage.

Machine à glaçons avec pompe de drainage :

- Brancher la machine à glaçons ou rétablir l'alimentation de l'appareil.
 - Arrêter la machine à glaçons, et enlever tous les glaçons du bac à glaçons.
 - Verser 1 litre d'eau dans le réceptacle à glaçons près de l'orifice de drainage, et attendre environ cinq minutes. Ceci permettra à l'eau de s'écouler depuis le réceptacle jusqu'à la pompe de drainage pour que la pompe puisse évacuer toute l'eau qui reste dans le bac à glaçons et dans la pompe.
 - Débrancher la machine à glaçons, ou interrompre l'alimentation de l'appareil.
9. Avant d'utiliser l'appareil de nouveau, nettoyer la machine à glaçons et le bac à glaçons.
 10. Brancher sur une prise à 3 alvéoles reliée à la terre.

REMARQUE : Tous les composants de la machine à glaçons ont reçu une lubrification permanente à l'usine. Aucune autre lubrification ne devrait être nécessaire durant toute la vie normale de la machine.

DÉPANNAGE

Essayer d'abord les solutions suggérées ci-dessous pour éviter le coût d'une visite de service inutile.

L'appareil ne fonctionne pas

- **Le bouton de commande est-il réglé à ON (MARCHE)?**
S'assurer que le bouton de commande est réglé à ON.
 - **Le cordon d'alimentation est-il branché?** Brancher fermement le cordon d'alimentation sur une prise à 3 alvéoles reliée à la terre.
 - **Un fusible a-t-il sauté ou un disjoncteur s'est-il déclenché?** Remplacer le fusible ou réenclencher le disjoncteur.
 - **La température ambiante est-elle inférieure à la normale?**
La température ambiante devrait être supérieure à 55°F (13°C). Sinon, le thermostat du bac pourrait être sensible aux basses températures et pourrait cesser de fonctionner même si le bac à glaçons n'est pas plein. De plus, une fois arrêtée, la machine risque de ne plus repartir.
-

La machine fonctionne, mais ne produit pas de glace

- **Le bouton de commande est-il réglé à ON (MARCHE)?**
S'assurer que le bouton de commande est réglé à ON.
 - **A-t-on effectué le raccord de la conduite d'alimentation en eau?** S'assurer que la conduite d'alimentation en eau est bien raccordée et ouverte.
-

La machine fonctionne, mais produit très peu de glace

- **La température ambiante est-elle supérieure à la normale?** Les températures ambiantes supérieures à 90°F (32°C) réduiront normalement la production de la glace.
- **Le condenseur est-il sale?** De la saleté ou de la charpie empêche peut-être l'air de circuler entre les ailettes du condenseur. Voir la section "Nettoyage du condenseur".
- **Des dépôts se sont-ils formés dans la machine à glaçons?** Si un dépôt de tartre blanc apparaît dans le système d'eau ou de congélation de la machine à glaçons, vous devriez nettoyer la machine à glaçons. Voir la section "Nettoyage du système de la machine à glaçons" et la section "Nettoyage des composants intérieurs".
- **Le capuchon de vidange est-il solidement en place?**
Serrer le capuchon de vidange s'il est desserré. Si le capuchon de vidange est desserré, l'eau s'écoulera du bac à eau et la glace sera mince ou il n'y aura pas de glace.

La grille de coupe ne taille pas les plaques de glace en glaçons

- **La grille de coupe est-elle bien en place?** Débrancher la machine à glaçons ou déconnecter la source de courant. Sortir le couvercle de la grille de coupe et vérifier que le faisceau des fils conducteurs de la grille de coupe est branché solidement.
-

Les glaçons ont un goût

- **Y a-t-il un taux de minéraux inhabituellement élevé dans l'eau?** L'eau devrait peut-être être filtrée ou traitée.
- **Des aliments ont-ils été rangés dans le bac à glaçons?** Ne pas ranger d'aliments dans le bac à glaçons.
- **Tous les matériaux d'emballage ont-ils été enlevés?**
S'assurer que tous les matériaux d'emballage sont enlevés au moment de l'installation.

ASSISTANCE OU SERVICE

Avant de demander une assistance ou un service, veuillez vérifier la section "Dépannage". Cette vérification peut vous faire économiser le coût d'une visite de réparation. Si vous avez encore besoin d'aide, suivre les instructions ci-dessous.

Lors d'un appel, veuillez connaître la date d'achat et les numéros au complet de modèle et de série de votre appareil. Ces renseignements nous aideront à mieux répondre à votre demande.

Si vous avez besoin de pièces de rechange

Si vous avez besoin de commander des pièces de rechange, nous vous recommandons d'utiliser seulement des pièces de rechange d'origine. Les pièces de rechange d'origine fonctionneront bien et fonctionneront bien parce qu'elles sont fabriquées selon les mêmes spécifications précises utilisées pour construire chaque nouvel appareil KITCHENAID®.

Pour localiser des pièces de rechange d'origine dans votre région, téléphoner à notre Centre d'interaction avec la clientèle ou au centre de service désigné le plus proche.

Aux États-Unis

Téléphoner au Centre d'interaction avec la clientèle KitchenAid en composant le 1-800-422-1230.

Nos consultants fournissent l'assistance pour :

- Caractéristiques et spécifications de notre gamme complète d'appareils électroménagers
- Renseignements d'installation
- Procédés d'utilisation et d'entretien
- Vente d'accessoires et de pièces de rechange
- Assistance spécialisée au client (langue espagnole, malentendants, malvoyants, etc.)
- Les références aux concessionnaires, compagnies de service de réparation et distributeurs de pièces de rechange locaux. Les techniciens de service désignés par KitchenAid sont formés pour remplir la garantie des produits et fournir un service après la garantie partout aux États-Unis.

Pour localiser la compagnie de service KitchenAid autorisée dans votre région, vous pouvez consulter les pages jaunes de votre annuaire téléphonique.

Pour plus d'assistance

Si vous avez besoin de plus d'assistance, vous pouvez écrire à KitchenAid en soumettant toute question ou problème à :

KitchenAid Brand Home Appliances
Customer Interaction Center
553 Benson Road
Benton Harbor, MI 49022-2692

Dans votre correspondance, veuillez indiquer un numéro de téléphone où on peut vous joindre dans la journée.

Au Canada

Téléphoner sans frais au Centre d'interaction avec la clientèle de KitchenAid Canada au :
1-800-461-5681 de 8 h 30 à 17 h 30 (HNE).

Nos consultants fournissent l'assistance pour :

- Caractéristiques et spécifications à notre gamme complète d'appareils électroménagers.
- Les références aux concessionnaires locaux.

Pour service au Canada

Composer le 1-800-807-6777. Les techniciens de service désignés par KitchenAid Canada sont formés pour remplir la garantie des produits et fournir un service après la garantie partout au Canada.

Pour plus d'assistance

Si vous avez besoin de plus d'assistance, vous pouvez écrire à KitchenAid Canada en soumettant toute question ou problème à :

Customer Interaction Center
KitchenAid Canada
1901 Minnesota Court
Mississauga, Ontario L5N 3A7

Dans votre correspondance, veuillez indiquer un numéro de téléphone où on peut vous joindre dans la journée.

GARANTIE DE LA MACHINE À GLAÇONS KITCHENAID®

GARANTIE COMPLÈTE DE UN AN

Pendant un an à partir de la date d'achat, lorsque ce produit est utilisé dans un contexte résidentiel ou commercial léger, et entretenu conformément aux instructions fournies avec le produit, KitchenAid paiera pour les pièces de rechange d'origine et la main-d'oeuvre pour la correction des vices de matériaux ou de fabrication. Les réparations doivent être effectuées par un établissement de service désigné par KitchenAid.

GARANTIE LIMITÉE DE LA DEUXIÈME À LA CINQUIÈME ANNÉE INCLUSIVEMENT SUR LE SYSTÈME DE RÉFRIGÉRATION SCELLÉ

De la deuxième à la cinquième année inclusivement à partir de la date d'achat, KitchenAid paiera pour les pièces de rechange et la main-d'oeuvre pour la correction des vices de matériaux ou de fabrication du système de réfrigération scellé. Ces pièces sont le compresseur, l'évaporateur, le condenseur, le dispositif de séchage et les tubes de raccord. Les réparations doivent être effectuées par un établissement de service désigné par KitchenAid.

KitchenAid ne paiera pas pour :

1. Les visites de service pour rectifier l'installation de votre machine à glaçons, montrer à l'utilisateur comment utiliser la machine à glaçons ou remplacer des fusibles, rectifier le câblage électrique ou la plomberie du domicile ou remplacer des ampoules d'éclairage.
2. Les réparations lorsque la machine à glaçons est utilisée à des endroits où son utilisation dépasse les capacités de fabrication de glace de la machine (environ 50 livres par période de 24 heures). Cette machine à glaçons est conçue pour usage résidentiel et/ou commercial léger ne dépassant pas ces capacités.
3. Les dommages imputables à : accident, modification, usage impropre, abus, incendie, inondation, actes de Dieu, installation fautive, ou l'installation non conforme aux codes locaux d'électricité et de plomberie, ou l'utilisation d'un produit non approuvé par KitchenAid.
4. Les pièces de rechange ou les frais de main-d'oeuvre pour les appareils utilisés hors des États-Unis et du Canada.
5. La prise en charge et la livraison de l'appareil chez l'utilisateur. Ce produit est conçu pour être réparé à domicile.
6. Les réparations de pièces ou systèmes imputables à des modifications non autorisées effectuées à l'appareil.
7. Au Canada, les frais de voyage ou de transport pour les clients qui habitent dans des régions éloignées.

KITCHENAID ET KITCHENAID CANADA N'ASSUMENT AUCUNE RESPONSABILITÉ POUR LES DOMMAGES FORTUITS OU INDIRECTS.

Certains États ou provinces ne permettent pas l'exclusion ou la limitation des dommages fortuits ou indirects; aussi cette exclusion ou limitation peut ne pas vous être applicable. Cette garantie vous confère des droits juridiques spécifiques et vous pouvez également jouir d'autres droits qui peuvent varier d'un État ou d'une province à l'autre.

À l'extérieur du Canada et des 50 États des États-Unis, cette garantie ne s'applique pas. Contacter votre marchand KitchenAid autorisé pour déterminer si une autre garantie s'applique.

Si vous avez besoin de service, consulter d'abord la section "Dépannage" de ce manuel. Après avoir vérifié la section "Dépannage", on peut trouver de l'aide supplémentaire à la section "Demande d'assistance ou de service" ou en téléphonant au Centre d'interaction avec la clientèle de KitchenAid, au 1-800-422-1230 (sans frais), de n'importe où aux É.-U. Pour le service au Canada, composer le 1-800-807-6777.

4/00

Pour renseignements au sujet de la garantie au Canada :

Veuillez contacter votre marchand KitchenAid autorisé ou téléphoner au Centre d'interaction avec la clientèle en composant le 1-800-461-5681 (sans frais) entre 8 h 30 et 17 h 30 HNE, de n'importe où au Canada.

Conserver ce manuel et la facture d'achat ensemble en lieu sûr pour consultation ultérieure. Pour le service sous garantie, vous devez présenter un document prouvant la date d'achat ou d'installation.

Inscrivez les renseignements suivants à propos de votre machine à glaçons pour mieux obtenir assistance ou service en cas de besoin. Vous devez connaître le numéro de modèle et le numéro de série complets. Cette information est indiquée sur la paroi intérieure gauche de la machine à glaçons

Nom du marchand _____

Adresse _____

Numéro de téléphone _____

Numéro de modèle _____

Numéro de série _____

Date d'achat _____

2217251

© 2001. All rights reserved.
Tous droits réservés.

® Registered Trademark/TM Trademark of KitchenAid, U.S.A., KitchenAid Canada licensee in Canada
® Marque déposée/TM Marque de commerce de KitchenAid, U.S.A., Emploi licencié par KitchenAid Canada au Canada

10/01
Printed in U.S.A.
Imprimé aux É.-U.