

AEV24DJ

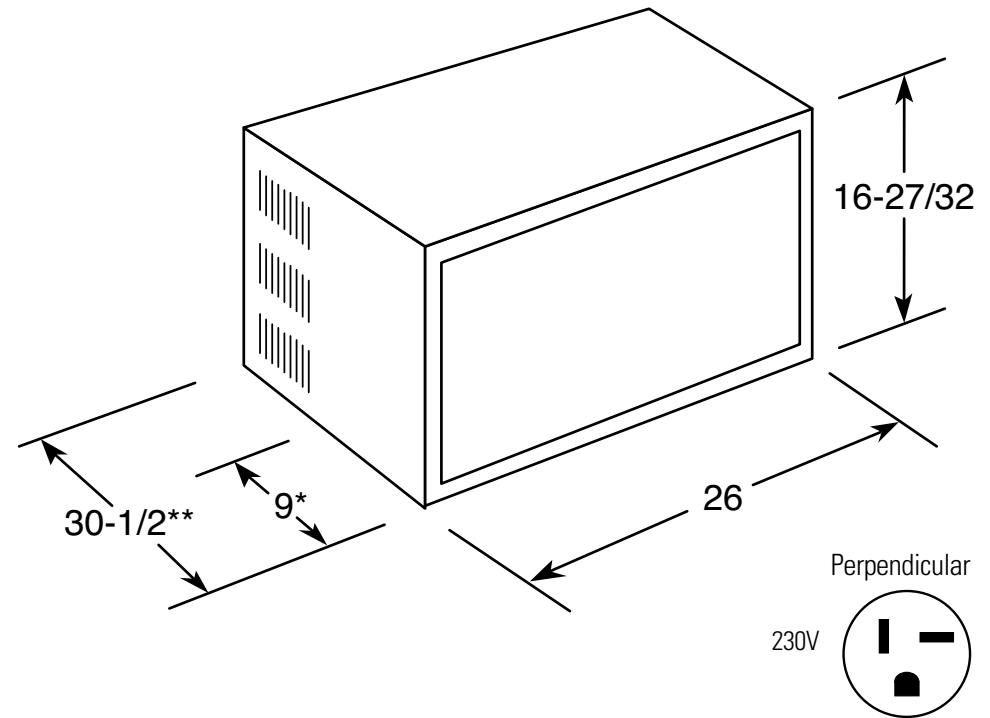
GE® 230 Volt Room Air Conditioner

Wall Case Dimensions and Installation Information (in inches)

Note: When installing slide-out chassis units in through-the-wall applications, keep louvers free. Do not restrict air flow areas. Fixed chassis units are not suitable for through-the-wall applications.

Wall Outlets: All wiring including installation of receptacle must be made in accordance with local electrical codes and regulations. Electrical outlet should be in reach of line cord.

Note: Aluminum wiring may pose special problems – consult a qualified electrician.



For answers to your Monogram®, GE Profile™ or GE® appliance questions, visit our website at ge.com or call GE Answer Center® service, 800.626.2000.



*Distance from front of case to side louvers (excluding grille)
**Excludes front grille.



Total volume and shelf area are calculated by the Association of Home Appliance Manufacturers' standards.



Listed by Underwriters Laboratories

AEV24DJ

GE® 230 Volt Room Air Conditioner

Features and Benefits

- 23,350 / 22,900 Cooling BTUH
- 8.5 / 8.5 EER
- 790/700 CFM Indoor Fan (High/Low)
- 7.5 Dehumidification (pints/hr)
- 230/208 Volts
- Auto Circulaire™
- 3 Cooling / 2 Fan Only Speeds
- 7-position thermostat
- Model AEV24DJ

