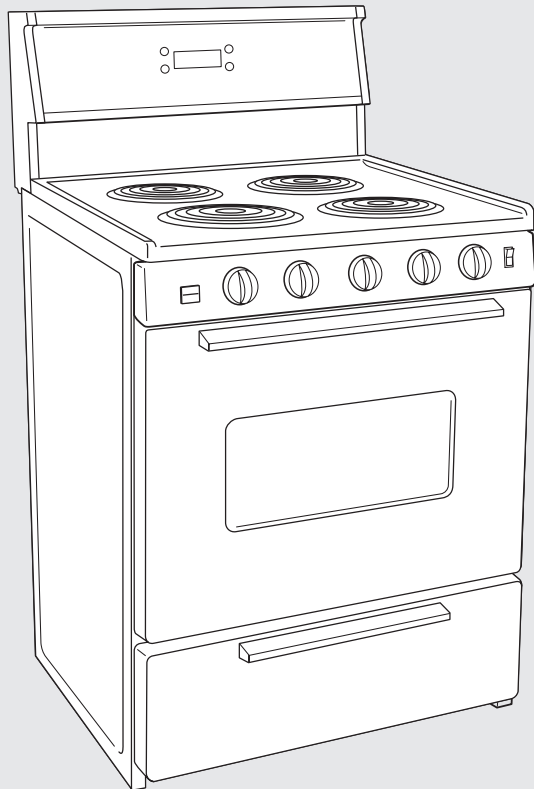


Installation Instructions



9758159

24" Electric Freestanding Range



Quick Reference

Table of Contents:

Pages	
2	Before you start
3	Product dimensions
3	Cabinet dimensions/requirements
4	Electrical requirements
4 - 5	Installation steps
6	If range does not operate
6	If you need assistance/service
6	Moving the range

If you need assistance:

Check your Use and Care Guide for a toll-free number to call or call the dealer from whom you purchased this appliance. The dealer is listed in the Yellow Pages of your phone directory under "Appliances — Household — Major — Service and Repair."

Call when you:

- Have questions about range installation or operation.
- Need to obtain the name and number of an authorized service company.

When you call, you will need:

- The range model number.
- The range serial number.

Both numbers are listed on the model/serial rating plate located on the left-hand side of the burner box under the cooktop.

WARNING



Tip Over Hazard

A child or adult can tip the range and be killed.

Connect anti-tip bracket to rear range foot.

Reconnect the anti-tip bracket, if the range is moved.

Failure to follow these instructions can result in death or serious burns to children and adults.

IMPORTANT: Read and save these instructions.

IMPORTANT:

Installer: Leave Installation Instructions with the homeowner.

Homeowner: Keep Installation Instructions for future reference.

Save Installation Instructions for local electrical inspector's use.

Before you start...

Your safety and the safety of others are very important.

We have provided many important safety messages in this manual and on your appliance. Always read and obey all safety messages.



This is the safety alert symbol. This symbol alerts you to potential hazards that can kill or hurt you and others.

All safety messages will follow the safety alert symbol and either the word "DANGER" or "WARNING." These words mean:

DANGER

You can be killed or seriously injured if you don't **immediately** follow instructions.

WARNING

You can be killed or seriously injured if you don't follow instructions.

All safety messages will tell you what the potential hazard is, tell you how to reduce the chance of injury, and tell you what can happen if the instructions are not followed.

IMPORTANT: Observe all governing codes and ordinances. Failure to meet codes and ordinances could lead to fire or electrical shock.

Proper installation is your responsibility. A qualified technician must install this range. Make sure you have everything necessary for correct installation. It is the installer's responsibility to comply with installation clearances specified on the model/serial rating plate. The model/serial rating plate is located on the left-hand side of the burner box under the cooktop.

Check location where range will be installed. The range should be located for convenient use in kitchen.

When installing a range under existing cabinets and the installation does not meet the minimum cabinet clearances, install a range hood above the cooktop to avoid burn hazards.

All openings in the wall or floor where range is to be installed must be sealed.

IMPORTANT: Some cabinet and building materials are not designed to withstand the heat produced by the oven for baking. Check with your builder or cabinet supplier to make sure that the materials used will not discolor, delaminate or sustain other damage.

It is the customer's responsibility:

- To contact a qualified electrical installer.
- To assure that the electrical installation is adequate and in conformance with the National Electrical Code, ANSI/NFPA 70 — latest edition* and all local codes and ordinances.

Grounded electrical outlet is required. See "Electrical requirements" section.

Do not seal range to side cabinets.

Mobile home installation

The installation of this range must conform with the Manufactured Home Construction and Safety Standard, Title 24 CFR, Part 3280 [formerly the Federal Standard for Mobile Home Construction and Safety, Title 24, HUD (Part 280)] or, when such standard is not applicable, the Standard for Manufactured Home Installations, ANSI A225.1/NFPA 501A*, or with local codes.

When this range is installed in a mobile home, it must be secured to the floor during transit. Any method of securing the range is adequate as long as it conforms to the standards listed above.

Four-wire power supply cord or cable must be used in a mobile home installation.

The floor anti-tip bracket must be installed. To install the anti-tip bracket shipped with the range, see Page 5 and the anti-tip bracket template.

Copies of the standards listed may be obtained from:

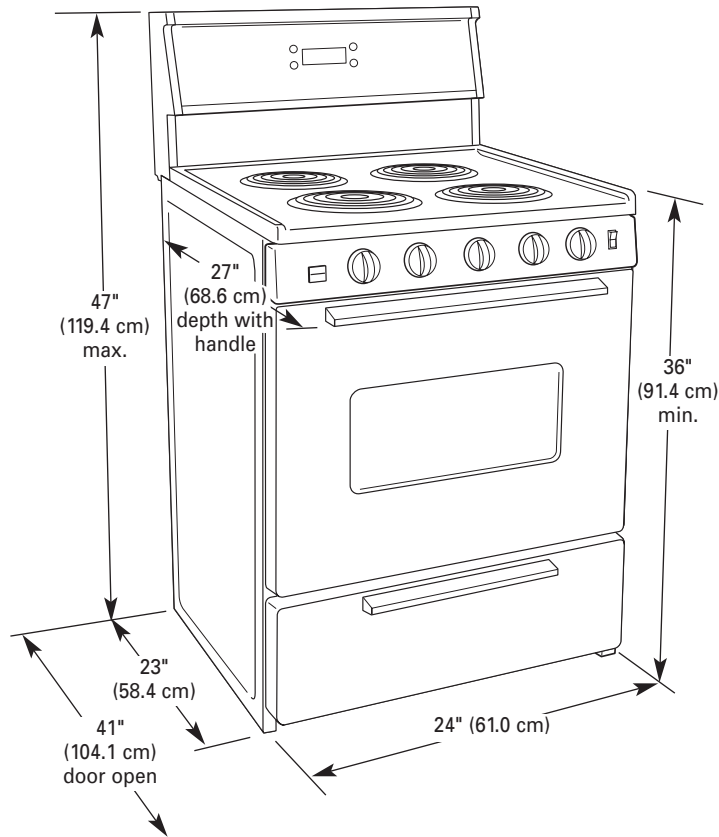
* National Fire Protection Association
One Batterymarch Park
Quincy, Massachusetts, 02269

Tools needed:

Assemble the required tools and parts before starting installation. Read and follow the instructions provided with any tools listed here.

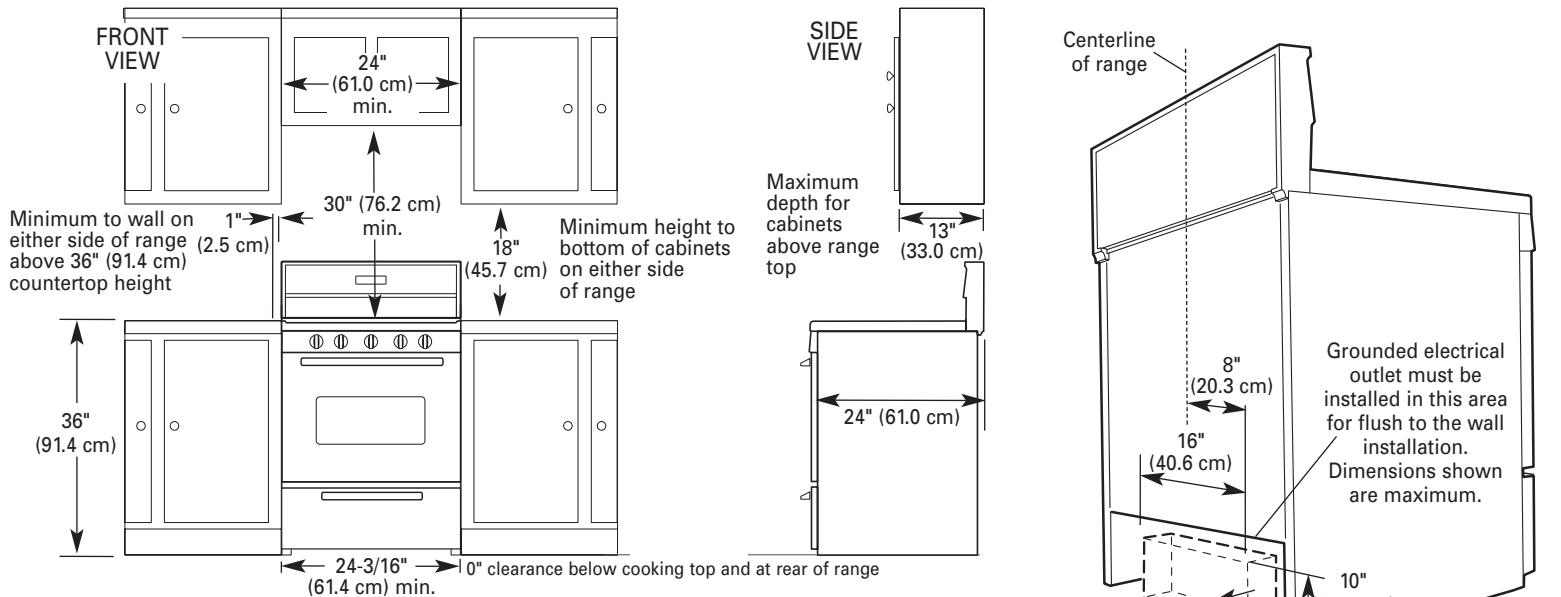
- level
- adjustable wrench or slip joint pliers
- Phillips screwdriver
- 5/16" nut driver or flat-blade screwdriver
- electric drill and 1/8" (3.2 mm) diameter drill bit (3/16" masonry drill bit for installing anti-tip bracket on concrete or ceramic)

Product dimensions



Cabinet dimensions/requirements

Dimensions that are shown must be used. Given dimensions provide minimum clearance. Contact surface must be solid and level.



* **NOTE:** 24" (61 cm) min. when bottom of wood or metal cabinet is protected by not less than 1/4" (6.4 mm) flame retardant millboard covered with not less than No. 28 MSG sheet steel, 0.015" (0.4 mm) stainless steel, 0.024" (0.6 mm) aluminum or 0.020" (0.5 mm) copper.
 30" (76.2 cm) min. clearance between the top of the cooking platform and the bottom of an unprotected wood or metal cabinet.

To eliminate the risk of burns or fire by reaching over heated surface units, cabinet storage space located above the surface units should be avoided. If cabinet storage is to be provided, the risk can be reduced by installing a range hood that projects horizontally a minimum of 5" (12.7 cm) beyond the bottom of the cabinets.

The range side panels should stick out beyond the cabinet fronts at least 1/4" (6.4 mm) when 0" clearance (flush) between side walls of cabinet and range sides is desired.

Electrical requirements

If codes permit and a separate ground wire is used, it is recommended that a qualified electrician determine that the ground path and wire gauge are in accordance with local codes.

Check with a qualified electrician if you are not sure range is properly grounded.

Do not ground to a gas pipe.

Do not have a fuse in the neutral or ground circuit.

Recommended ground method

It is the personal responsibility and obligation of the customer to contact a qualified electrician to assure that the electrical installation is adequate and is in conformance with the National Electrical Code, ANSI/NFPA 70 — latest edition* and all local codes and ordinances.

Power supply cord is supplied and connected to range.

Range must be connected to the proper electrical voltage and frequency specified on the model/serial rating plate. (The model/serial rating plate is located on the left-hand side of the burner box under the cooktop.)

☑ Connection at connection block must be copper wire only.

If the house has aluminum wiring, follow the procedure below:

- a.) Connect a section of 8 gauge, solid copper wire to the connector block.
- b.) Connect the aluminum wiring to the added section of copper wire using special connectors designed and Underwriters Laboratories-listed for joining copper to aluminum. Follow the electrical connector manufacturer's recommended procedure.
- c.) Aluminum/copper connections must conform with local codes and industry-accepted wiring practice.

☑ A four-wire, single-phase, 120/240-volt, 60-Hz, AC-only, electrical supply (or four-wire 120/208-volt if specified on the model/serial rating plate) is required on a separate 40 amp circuit, fused on both sides of the line.

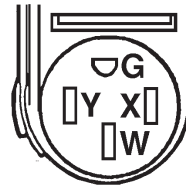
☑ A time-delay fuse or circuit breaker is recommended.

Wire sizes (copper wire only) and connections must conform with the rating of the range (40 amps).

☑ The wiring diagram is located on the back of the range.

☑ This range is manufactured with a four-wire power supply cord, CSA-approved type DR or DRT.

☑ A four-wire receptacle of NEMA Type 14-50R must be used.



4-wire wall receptacle (14-50R)

Now start...

⚠ WARNING

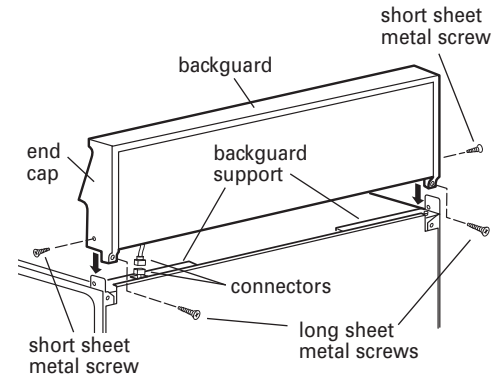
Excessive Weight Hazard

Use two or more people to move and install range.

Failure to do so can result in back or other injury.

1. Remove shipping materials, tape and protective film from range.

2. Attach backguard following directions below.



A. Lift cooktop and move forward about 2 inches (5 cm).

B. Position backguard near backguard support.

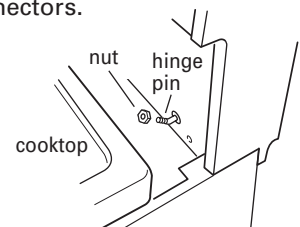
C. Push connector from backguard into connector on backguard support.

D. Push connector assembly down through square hole in backguard support.

E. Position backguard on backguard support so the predrilled holes line up, and screw the two short sheet metal screws into end caps.

F. From the rear of range, screw long sheet metal screws through back of backguard end caps into backguard support.

G. On front of backguard, remove nuts from both threaded hinge pins. Place cooktop on the hinge pins. Lift the front of the cooktop and replace the nuts on both hinge pins. Lower cooktop to its normal position, snapping the front into the front connectors.



Copies of the standards listed may be obtained from:

*National Fire Protection Association
One Batterymarch Park
Quincy, Massachusetts, 02269

⚠ WARNING



Tip Over Hazard

A child or adult can tip the range and be killed.

Connect anti-tip bracket to rear range foot.

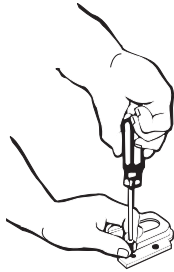
Reconnect the anti-tip bracket, if the range is moved.

Failure to follow these instructions can result in death or serious burns to children and adults.

Instructions are provided for installing the anti-tip bracket in wood, concrete or ceramic floor. When fastening to the floor, be sure that screws do not penetrate electrical wiring or plumbing.

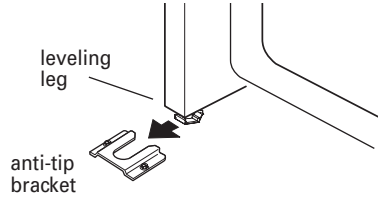
3. Use the anti-tip bracket template to install the anti-tip bracket.

Anti-tip bracket must be anchored securely to the sub-floor.



4. Level range by adjusting the (4) leveling legs with a wrench.

NOTE: A minimum clearance of 1/8" (3.2 mm) is required between the bottom of the range and the leveling leg to allow room for the bracket to fit. Use a level to check your adjustments. Slide range back into position.



Visually check that leveling leg is inserted into and fully secured by the anti-tip bracket by removing storage drawer. Grasp the top rear edge of the range and carefully attempt to tilt it forward. The range must remain securely anchored to floor.

NOTE: To get the most efficient use from your new electric range, read your Use and Care Guide.

Keep Installation Instructions and Guide close to the electric range for easy reference.

If range does not operate:

- Check that the circuit breaker is not tripped or the house fuse blown.
- Check that the power supply cord is plugged into the outlet.
- See Use and Care Guide for troubleshooting list.

If you need assistance:

If you have questions about operating, cleaning or maintaining your range:

- Refer to Use and Care Guide.
- Call the Customer Interaction Center. Check your Use and Care Guide for a toll-free number to call or call the dealer from whom you purchased this appliance. The dealer is listed in the Yellow Pages of your phone directory under "Appliances — Household — Major — Service and Repair."

If you need service:

Maintain the quality built into your range by calling an authorized service company.

To obtain the name and number of the authorized service company:

- Contact the dealer from whom you purchased your range; or
- Look in the Yellow Pages of your telephone directory under "Appliances — Household — Major — Service and Repair;" or
- Call the Customer Interaction Center. The toll-free number is listed in your Use and Care Guide.

When you call, you will need:

- The range model number.
- The range serial number.

Both numbers are listed on the model/serial rating plate located on the left-hand side of the burner box under the cooktop.

Moving the range

WARNING



Tip Over Hazard

A child or adult can tip the range and be killed.

Connect anti-tip bracket to rear range foot.

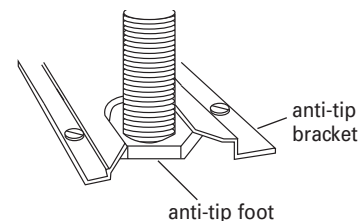
Reconnect the anti-tip bracket, if the range is moved.

Failure to follow these instructions can result in death or serious burns to children and adults.

When moving range, slide range onto cardboard or hardboard to prevent damaging the floor covering.

If removing the range is necessary for cleaning or maintenance:

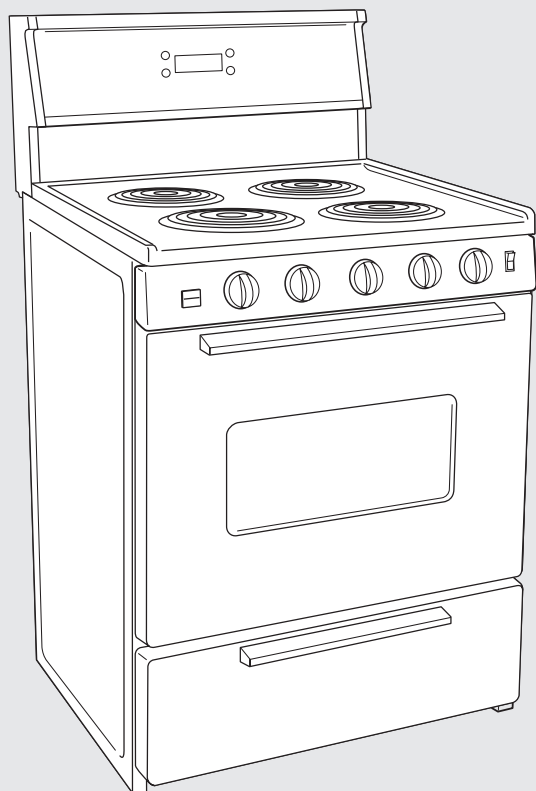
1. Unplug range or disconnect power.
2. Slide range forward to complete cleaning or maintenance.
3. Make sure the anti-tip bracket is installed:
 - Look for the anti-tip bracket securely attached to floor.
 - Slide range back so rear range foot is under anti-tip bracket.



4. Check that range is level.
5. Plug in range or reconnect power.

Instructions d'installation

Cuisinière électrique autoportante 24 po



Consultation rapide

Table des matières :

Pages

- 2** Avant de commencer
- 3** Dimensions du produit
- 3** Dimensions de l'appareil/Spécifications
- 4** Spécifications électriques
- 4 - 5** Étapes d'installation
- 6** Si l'appareil ne fonctionne pas correctement
- 6** En cas de besoin d'assistance ou de service après-vente
- 6** Déplacement de la cuisinière

Si une assistance est nécessaire :

Consulter le guide d'utilisation et d'entretien pour obtenir le numéro d'appel sans frais ou contacter le marchand chez qui vous avez acheté l'appareil. Les coordonnées des marchands peuvent être trouvées dans les pages jaunes de votre annuaire téléphonique à la rubrique "Appareils ménagers (gros) – Particuliers – Service et réparation".

Faites un appel pour :

- Des questions concernant l'installation ou le fonctionnement de l'appareil
- obtenir le nom et le numéro d'un établissement de service agréé

Lors de l'appel vous devrez communiquer les :

- numéro de modèle de l'appareil
- numéro de série de l'appareil

Les deux numéros sont indiqués sur la plaque signalétique située sur le côté gauche de la caisse des brûleurs sous la table de cuisson.

AVERTISSEMENT



Risque de basculement

Un enfant ou une personne adulte peut faire basculer la cuisinière ce qui peut causer un décès.

Joindre la bride antibasculement au pied arrière de la cuisinière.

Joindre de nouveau la bride antibasculement si la cuisinière est déplacée.

Le non-respect de ces instructions peut causer un décès ou des brûlures graves aux enfants et aux adultes.

IMPORTANT :

Lire et conserver ces instructions.

IMPORTANT :

Installateur : Remettre les instructions d'installation au propriétaire.

Propriétaire : Conserver les instructions d'installation pour consultation ultérieure.

Conserver les instructions d'installation pour consultation par l'inspecteur local des installations électriques.

Avant de commencer...

Votre sécurité et celle des autres est très importante.

Nous donnons de nombreux messages de sécurité importants dans ce manuel, et sur votre appareil ménager. Assurez-vous de toujours lire tous les messages de sécurité et de vous y conformer.



Voici le symbole d'alerte de sécurité.

Ce symbole d'alerte de sécurité vous signale les dangers potentiels de décès et de blessures graves à vous et à d'autres.

Tous les messages de sécurité suivront le symbole d'alerte de sécurité et le mot "DANGER" ou "AVERTISSEMENT." Ces mots signifient :

! DANGER

Risque possible de décès ou de blessure grave si vous ne suivez pas immédiatement les instructions.

! AVERTISSEMENT

Risque possible de décès ou de blessure grave si vous ne suivez pas les instructions.

Tous les messages de sécurité vous diront quel est le danger potentiel et vous disent comment réduire le risque de blessure et ce qui peut se produire en cas de non-respect des instructions.

IMPORTANT : Observer les dispositions de tous les codes et règlements en vigueur. Le non-respect des prescriptions des codes et règlements en vigueur peut provoquer un incendie ou un choc électrique.

L'installation correcte de l'appareil relève de la responsabilité de son propriétaire. Cette cuisinière doit être installée par un technicien qualifié. Vérifier que tout le matériel nécessaire pour une installation correcte est réuni. Il incombe à l'installateur de respecter les spécifications indiquées sur la plaque signalétique des numéros de modèle/série. La plaque signalétique est située sur le côté gauche de la caisse des brûleurs sous la table de cuisson.

Examiner l'emplacement où la cuisinière sera installée. Choisir un emplacement pratique dans la cuisine.

Lors de l'installation d'une cuisinière sous des placards existants, s'il n'est pas possible de respecter les valeurs minimales de séparation entre la table de cuisson et les placards, installer une hotte d'extraction au-dessus de la table de cuisson pour éviter les risques de brûlure.

Il convient de parfaitement obturer/sceller toutes les ouvertures dans le mur et le plancher dans l'espace d'installation de la cuisinière.

IMPORTANT : Certains rangements et matériaux de construction ne sont pas conçus pour résister à la chaleur émise par le four pendant la cuisson. Vérifier auprès du constructeur de la maison ou du fournisseur des placards que les matériaux utilisés ne subiront pas de dommage (décoloration, déstratification, etc.)

C'est au client qu'incombe la responsabilité :

- de contacter un électricien qualifié pour l'installation.
- de s'assurer que l'installation électrique est adéquate et conforme aux dispositions du Code national des installations électriques ANSI/NFPA 70 – dernière édition* et aux dispositions de tous les codes et règlements locaux.

Une ligne de prise de terre est requise. Se reporter à la section "Spécifications électriques".

Ne pas accoler la cuisinière aux placards de chaque côté.

Installation dans une résidence mobile

L'installation de cette cuisinière doit satisfaire aux critères de la norme de construction/sécurité des résidences préfabriquées (Manufactured Home Construction and Safety Standard, titre 24 CFR, partie 3280 - (anciennement norme fédérale pour la construction/sécurité des résidences mobiles, titre 24, HUD partie 280); ou, si cette norme n'est pas applicable, l'installation doit satisfaire aux prescriptions de la norme d'installation des résidences préfabriquées (Manufactured Home Installations, ANSI A225.1/NFPA 501A*), ou aux codes locaux.

Si cette cuisinière est installée dans une résidence mobile, on doit la fixer au plancher durant toute opération de déplacement. Toute méthode de fixation de la cuisinière au plancher est adéquate si elle respecte les prescriptions des normes mentionnées ci-dessus.

Dans une résidence mobile, un cordon ou un câble d'alimentation à quatre conducteurs doit être utilisé.

Il est indispensable d'installer la bride antibasculement fournie avec la cuisinière. Pour son installation et son gabarit, voir la page 5.

Outillage nécessaire :

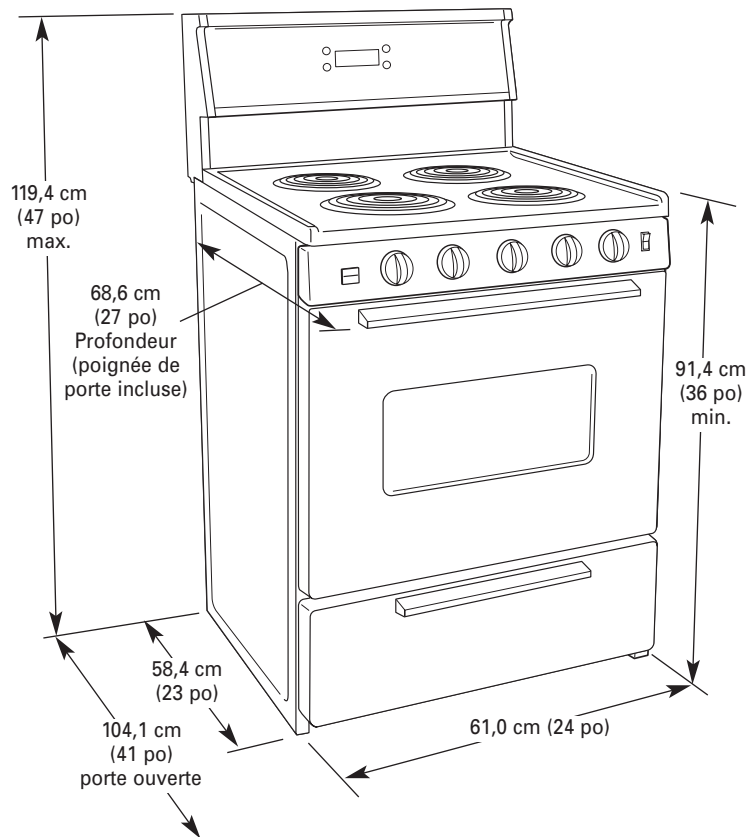
Rassembler l'outillage et les pièces nécessaires avant de commencer l'installation. Lire et suivre les instructions fournies avec l'un ou l'autre des outils énumérés ici.

- Niveau
- Clé ajustable ou pince à jointures glissantes
- Tournevis Phillips
- Tourne-écrou 5/16 po ou tournevis à lame plate
- Perceuse électrique et foret de diamètre de 1/8 po (3,2 mm) (foret de maçonnerie de 3/16 po pour l'installation d'une bride antibasculement sur du béton ou de la céramique)

On peut se procurer un exemplaire des normes mentionnées auprès de :

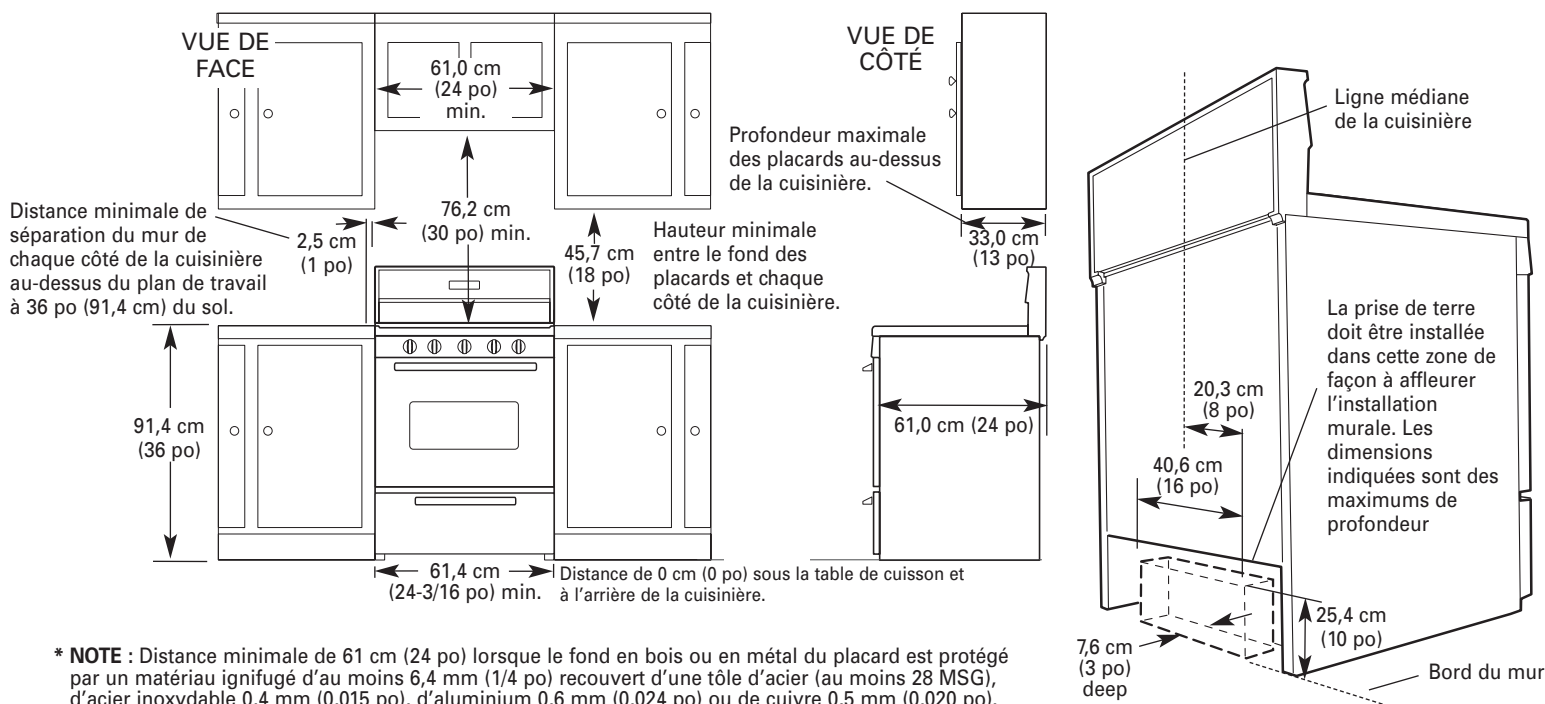
* National Fire Protection Association
One Batterymarch Park
Quincy, Massachusetts, 02269

Dimensions du produit



Dimensions de l'appareil/Spécifications

Les dimensions illustrées doivent être respectées. Les dimensions fournies indiquent la distance minimale de séparation. La surface de contact doit être solide et à niveau.



*** NOTE :** Distance minimale de 61 cm (24 po) lorsque le fond en bois ou en métal du placard est protégé par un matériau ignifugé d'au moins 6,4 mm (1/4 po) recouvert d'une tôle d'acier (au moins 28 MSG), d'acier inoxydable 0,4 mm (0,015 po), d'aluminium 0,6 mm (0,024 po) ou de cuivre 0,5 mm (0,020 po).

Distance minimale de 76,2 cm (30 po) entre le sommet de la table de cuisson et le fond d'un placard de bois ou de métal non protégé.

Pour éliminer le risque de brûlures ou de feu en se déplaçant au-dessus de surfaces chaudes, il convient d'éviter d'utiliser un espace pour le rangement directement au-dessus des éléments de surface. Si un espace de rangement doit être installé, le risque peut être réduit en installant une hotte de cuisinière dont la projection horizontale à partir du bas des placards est de 12,7 cm (5 po) minimum.

Les panneaux des côtés doivent dépasser du devant des placards au moins de 6,4 mm (1/4 po) lorsque l'espacement de 0 po (effleurement) entre les côtés du placard et les côtés de la cuisinière est désiré

Spécifications électriques

Si lorsque les codes le permettent un conducteur distinct de liaison à la terre est utilisé, il est recommandé qu'un électricien qualifié vérifie que la liaison à la terre et le calibre du fil sont conformes aux codes locaux.

Consulter un électricien qualifié en cas de doute au sujet de la liaison à la terre de la cuisinière.

Ne jamais utiliser une tuyauterie de gaz pour la liaison à la terre.

Ne pas installer un fusible en série avec le conducteur neutre ou le conducteur de liaison à la terre.

Méthode recommandée de liaison à la terre

C'est au client qu'incombe la responsabilité de contacter un électricien qualifié pour l'installation pour s'assurer que l'installation électrique est adéquate et conforme aux dispositions du Code national des installations électriques ANSI/NFPA 70 – dernière édition* et à tous les codes et règlements locaux.

Le cordon d'alimentation électrique est fourni et connecté à la cuisinière.

La cuisinière doit être connectée au voltage électrique approprié et à la fréquence spécifiée sur la plaque signalétique du modèle/série. (La plaque signalétique du modèle série est située du côté gauche de la caisse des brûleurs sous la table de cuisson.)

La connexion à la boîte de connexion doit être avec fil de cuivre seulement.

Si le câblage du domicile est en aluminium, procéder comme suit :

- Connecter une section de fil en cuivre solide de calibre 8 à la boîte du connecteur.
- Connecter le câblage en aluminium à la section ajoutée de fil en cuivre en utilisant les connecteurs désignés et homologués par Underwriters Laboratories pour les raccords du cuivre à l'aluminium. Suivre le procédé recommandé par les fabricants concernant le connecteur électrique.
- Le raccordement aluminium cuivre doit être conforme aux codes locaux et aux politiques d'installation de fils acceptées par l'industrie.

Une alimentation électrique à quatre fils, monophasé, 120/240 volts, 60 Hz, CA uniquement (ou à quatre fils 120/208 volts si spécifié sur la plaque de signalétique du numéro de modèle/série) est requise sur un circuit séparé de 40 A, avec fusibles des deux côtés de la ligne.

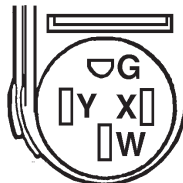
Un fusible temporisé ou disjoncteur est recommandé.

Les tailles des fils (fils en cuivre uniquement) et les connexions doivent être conformes au calibre de la cuisinière (40 A).

Le dessin de branchement des fils est situé à l'arrière de la cuisinière.

Cette cuisinière est fabriquée avec un câble électrique d'alimentation à quatre fils, de type DR ou DRT approuvé par le CSA.

Une prise de courant à quatre fils 14-50R de type NEMA doit être utilisée.



Prise de courant murale à quatre fils (14-50R)

Commencer maintenant...

⚠ AVERTISSEMENT

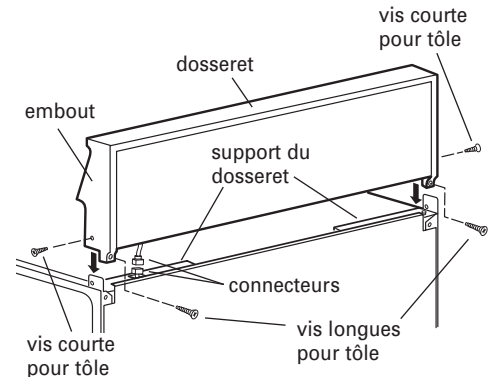
Risque de poids excessif

Utiliser deux ou plus de personnes pour déplacer et installer de la cuisinière.

Le non-respect de cette instruction peut causer une blessure au dos ou d'autres blessures.

1. Enlever tout le matériel d'expédition, ruban adhésif et pellicule protectrice de la cuisinière.

2. Installer le dossier en suivant les instructions ci-dessous.

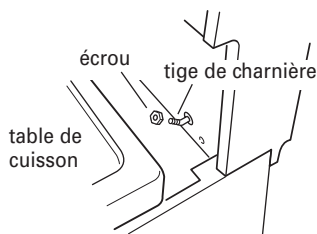


- Soulever la table de cuisson et la déplacer vers l'avant d'environ 5 cm (2 po).
- Placer le dossier près du support du dossier.
- Appuyer sur le connecteur du dossier dans le connecteur au support du dossier.
- Appuyer sur l'assemblage du connecteur à travers les trous carrés dans le support du dossier.
- Placer le dossier sur le support du dossier de sorte que les trous percés d'avance s'alignent et visser les deux vis courtes pour tôle dans les embouts.
- De l'arrière de la cuisinière, visser les longues vis pour tôle à travers l'arrière des embouts du dossier dans le support du dossier.

On peut se procurer un exemplaire des normes mentionnées au

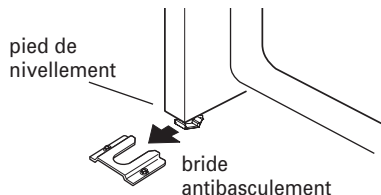
*National Fire Protection Association
One Batterymarch Park
Quincy, Massachusetts, 02269

G. En avant du dossier, enlever les écrous des deux tiges de charnière. Placer la table de cuisson sur les tiges de charnières. Soulever le devant de la table de cuisson et replacer les écrous sur les deux tiges de charnières. Abaisser la table de cuisson à sa position normale, en enclenchant le devant dans les connecteurs avant.



4. Mettre la cuisinière à niveau en ajustant les (4) pieds de nivellement avec une clé.

NOTE : Un dégagement minimal de 3,2 mm (1/8 po) est requis entre la base de la cuisinière et le pied de nivellement pour permettre de l'espace pour que la bride convienne. Utiliser un niveau pour vérifier vos réglages. Glisser la cuisinière dans sa position.



Vérifier visuellement que le pied de nivellement est inséré et bien fixé par la bride antibasculement en enlevant le tiroir de remisage. Saisir le bord supérieur arrière de la cuisinière et essayer délicatement de l'incliner vers l'avant. La cuisinière doit demeurer bien ancrée au plancher.

NOTE: Pour obtenir l'utilisation la plus efficace de votre nouvelle cuisinière électrique, veuillez lire votre Guide d'utilisation et d'entretien.

Garder les instructions d'installation et le guide près de la cuisinière électrique pour vous y référer facilement.

AVERTISSEMENT



Risque de basculement

Un enfant ou une personne adulte peut faire basculer la cuisinière ce qui peut causer un décès.

Joindre la bride antibasculement au pied arrière de la cuisinière.

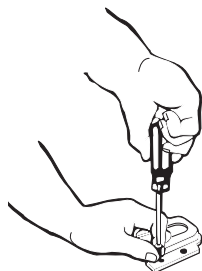
Joindre de nouveau la bride antibasculement si la cuisinière est déplacée.

Le non-respect de ces instructions peut causer un décès ou des brûlures graves aux enfants et aux adultes.

Les instructions sont fournies pour l'installation de la bride antibasculement dans le bois, le béton ou la céramique. Lors de la fixation au plancher, s'assurer que les vis ne pénètrent pas dans les fils électriques ou la plomberie.

3. Utiliser un gabarit de bride antibasculement pour installer cette dernière.

La bride antibasculement doit être ancrée en sécurité dans le sous-plancher.



Si la cuisinière ne fonctionne pas :

- Déterminer si le disjoncteur est ouvert ou si un fusible est grillé.
- Vérifier que le cordon d'alimentation est bien branché dans la prise de courant.
- Consulter la section « diagnostic » dans le Guide d'utilisation et d'entretien.

Si une assistance est nécessaire :

Pour toute question concernant l'utilisation, le nettoyage ou l'entretien de votre cuisinière :

- Consulter le Guide d'utilisation et d'entretien.
- Consulter le centre de service à la clientèle. Pour le numéro d'appel sans frais, consulter le Guide d'utilisation et d'entretien, ou contacter le marchand qui a vendu l'appareil. Les coordonnées des marchands peuvent être trouvées dans les pages jaunes de votre annuaire téléphonique à la rubrique "Appareils ménagers (gros) – Particuliers – Service et réparation".

Si vous avez besoin de services de réparation :

Pour préserver la qualité incorporée dans cette cuisinière, confier les travaux à un établissement de service après-vente agréé.

Pour obtenir le nom et l'adresse d'un établissement de service après-vente agréé :

- Contacter le magasin où l'appareil a été acheté.
- Consulter l'annuaire local Pages jaunes à la rubrique "Appareils électroménagers – Gros – Vente et service".
- Téléphoner au Centre d'assistance à la clientèle; pour trouver le numéro d'appel sans frais, consulter le Guide d'utilisation et d'entretien.

Lors de la prise de contact, le client doit communiquer :

- le numéro de modèle.
- le numéro de série de l'appareil.

On trouve ces deux numéros sur la plaque signalétique – située sur le châssis du four, derrière la porte.

Déplacement de la cuisinière :

⚠️ AVERTISSEMENT



Risque de basculement

Un enfant ou une personne adulte peut faire basculer la cuisinière ce qui peut causer un décès.

Joindre la bride antibasculement au pied arrière de la cuisinière.

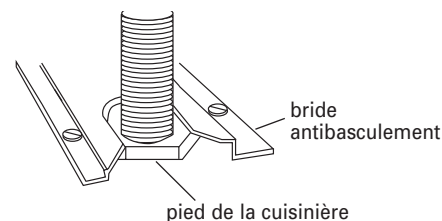
Joindre de nouveau la bride antibasculement si la cuisinière est déplacée.

Le non-respect de ces instructions peut causer un décès ou des brûlures graves aux enfants et aux adultes.

Lors du déplacement de la cuisinière, la faire glisser sur un carton ou panneau de bois dur pour ne pas endommager le revêtement du plancher.

Si le déplacement de la cuisinière est nécessaire pour le nettoyage ou l'entretien :

- Enlever le tiroir de rangement.
- Faire glisser la cuisinière vers l'avant pour achever le nettoyage ou l'entretien.
- S'assurer que la bride antibasculement est installée :
 - S'assurer que la bride antibasculement est solidement fixée au plancher.
 - Glisser la cuisinière vers l'arrière, de telle sorte que le pied arrière s'engage dans la bride antibasculement.



- S'assurer que la cuisinière est d'aplomb.
- Brancher la cuisinière ou reconnecter la source de courant électrique.