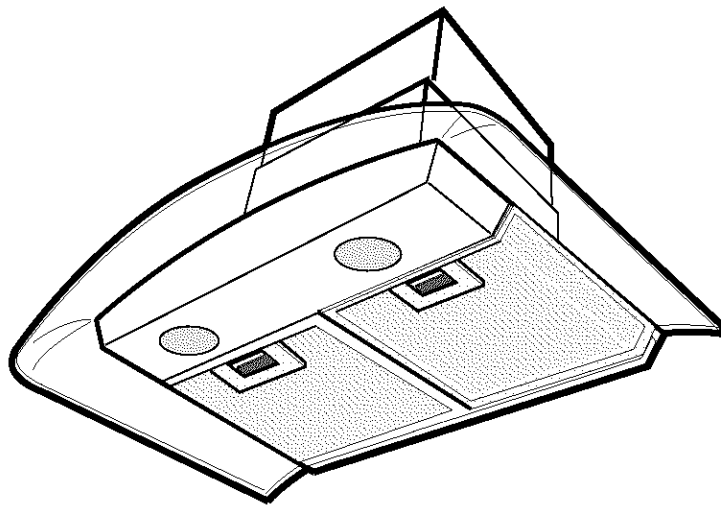




OWNER'S GUIDE - Range Hood

PLHV36W7CC



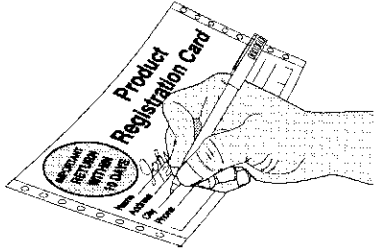
READ AND SAVE THESE INSTRUCTIONS



Product Registration

Register your Product

The self-addressed **PRODUCT REGISTRATION CARD** should be filled in completely, signed and returned to the ELECTROLUX Canada.



This Owner's Guide contains general operating instructions for your range hood and feature information for several models. Your range **may not** have all the described features.

Note: The instructions appearing in this Owner's Guide are not meant to cover every possible condition and situation that may occur. Common sense and caution must be practiced when installing, operating and maintaining any appliance.

Thank you for choosing this appliance. The information contained within this Owner's Guide will instruct you on how to properly operate and care for your range hood. Please read through the information contained in your literature pack to learn more about your new appliance.

Record Your Model and Serial Numbers

Record in the space provided below the model and serial numbers found on the serial plate located on the right hand side of the range hood.

Model Number: _____

Serial Number: _____

Date of Purchase: _____

Important Safety Instructions

READ AND SAVE THESE INSTRUCTIONS

Take care when using cleaning agents or detergents.
Suitable for use in household cooking area

CAUTION - To reduce risk of fire and to properly exhaust air, be sure to duct air outside – Do not vent exhaust air into spaces within walls or ceilings or into attics, crawl spaces, or garages.

CAUTION - For General Ventilating Use Only. Do Not Use To Exhaust Hazardous Or Explosive Materials And Vapors.

WARNING – TO REDUCE THE RISK OF FIRE, ELECTRIC SHOCK, OR INJURY TO PERSONS, OBSERVE THE FOLLOWING:

- a. Use this unit only in the manner intended by the manufacturer. If you have questions, contact the manufacturer.
- b. Before servicing or cleaning unit, switch power off at service panel and lock the service disconnecting means to prevent power from being switched on accidentally. When the service disconnecting means cannot be locked, securely fasten a prominent warning device, such as a tag, to the service panel.

WARNING – TO REDUCE THE RISK OF A RANGE TOP GREASE FIRE:

- a. Never leave surface units unattended at high settings. Boilovers cause smoking and greasy spillovers that may ignite. Heat oils slowly on low or medium settings.
- b. Always turn hood ON when cooking at high heat or when cooking flaming foods.
- c. Clean ventilating fans frequently. Grease should not be allowed to accumulate on fan or filter.
- d. Use proper pan size. Always use cookware appropriate for the size of the surface element.

WARNING – TO REDUCE THE RISK OF INJURY TO PERSONS IN THE EVENT OF A RANGE TOP GREASE FIRE, OBSERVE THE FOLLOWING:

- a. **SMOTHER FLAMES** with a close-fitting lid, cookie sheet, or metal tray, then turn off the burner. **BE CAREFUL TO PREVENT BURNS.** If the flames do not go out immediately, **EVACUATE AND CALL THE FIRE DEPARTMENT.**
- b. **NEVER PICK UP A FLAMING PAN** – You may be burned.
- c. **DO NOT USE WATER**, including wet dishcloths or towels – a violent steam explosion will result.
- d. Use an extinguisher **ONLY** if:
 1. You know you have a Class ABC extinguisher, and you already know how to operate it.
 2. The fire is small and contained in the area where it started.
 3. The fire department is being called.
 4. You can fight the fire with your back to an exit.

WARNING – TO REDUCE THE RISK OF FIRE, ELECTRIC SHOCK, OR INJURY TO PERSONS, OBSERVE THE FOLLOWING:

- a) Installation work and electrical wiring must be done by qualified person(s) in accordance with all applicable codes and standards, including fire-rated construction.
- b) Sufficient air is needed for proper combustion and exhausting of gases through the flue (chimney) of fuel burning equipment to prevent back drafting. Follow the heating equipment manufacturer's guideline and safety standards such as those published by the National Fire Protection Association (NFPA), and the American Society for Heating, Refrigeration and Air Conditioning Engineers (ASHRAE), and the local code authorities.
- c) When cutting or drilling into wall or ceiling, do not damage electrical wiring and other hidden utilities.
- d) Ducted fans must always be vented to the outdoors.

WARNING - TO REDUCE THE RISK OF FIRE, USE ONLY METAL DUCTWORK.



! WARNING

Electrical Shock Hazard - Can result in serious injury or death.

Disconnect appliance from electric power before servicing.

If equipped, the fluorescent light bulb contains small amounts of mercury which must be recycled or disposed of according to Local, State, and Federal Codes.

Installation

FOR RESIDENTIAL USE ONLY
NOT TO BE INSTALLED OVER GAS GRILLS
PLEASE READ ENTIRE INSTRUCTIONS BEFORE PROCEEDING.
INSTALLATION MUST COMPLY WITH ALL LOCAL CODES.

IMPORTANT: Save these instructions for the Local Electrical Inspector's use.

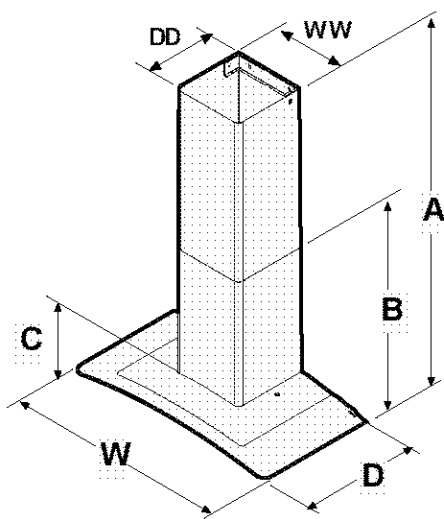
INSTALLER: Please leave these instructions with this unit for the owner.

OWNER: Please retain these instructions for future reference.

Safety Warning: Turn off power circuit at the service entrance and lock out panel, before wiring this appliance.

Requirement: 120 V AC, 60 Hz. 15 or 20 A

Dimensions



Dimensions	
A (Range of adjustable ht.) *	29 ¹⁵ / ₁₆ -48 ¹ / ₂
B (Min. ht. with one cover)*	22 ³ / ₄
C (ht. from glass to bottom)*	3
W (width)*	35 ⁷ / ₈
D (depth)*	19 ⁵ / ₈
DD (depth of the cover)*	11 ⁵ / ₈
WW (width of the cover)*	11 ⁵ / ₁₆

Weight: 44 pounds

Diameter of Transition 6"

Diameter of exhaust Duct required 6"

Figure 1*

Note: All dimensions are shown in inches.

* Dimensions are given from base of hood to ceiling, and include clearance required for installation.

Considerations before installing Hood

- Grease filters are not mounted and are located inside the package with the hood. Be sure to get them before disposing of your package.
- For the most efficient air flow exhaust, use a straight run or as few elbows as possible.
CAUTION: Vent unit to outside of building, only.
- If allowed in your area, use metallic flex ducting **only** to connect rigid duct directly to transitions.
- COLD WEATHER installations should have an additional backdraft damper installed to minimize backward cold air flow and a nonmetallic thermal break to minimize conduction of outside temperatures as part of the ductwork. The damper should be on the cold air side of the thermal break. The break should be as close as possible to where the ducting enters the heated portion of the house.
- Hood installation height above cooktop is the users preference. The lower the hood above the cooktop, the more efficient the capturing of cooking odors, grease and smoke. We recommend the hood be installed 30-36" above the countertop. The lower height may be inconvenient for tall people and large cooking vessels. Check your ceiling height and the hood height maximum before you select your hood.

Installation

Tools required for installation

Screwdriver

(flat head, pozidrive n°2 and torx 10)

Allen key 4mm

Electric drill with twist bit \varnothing 10 mm

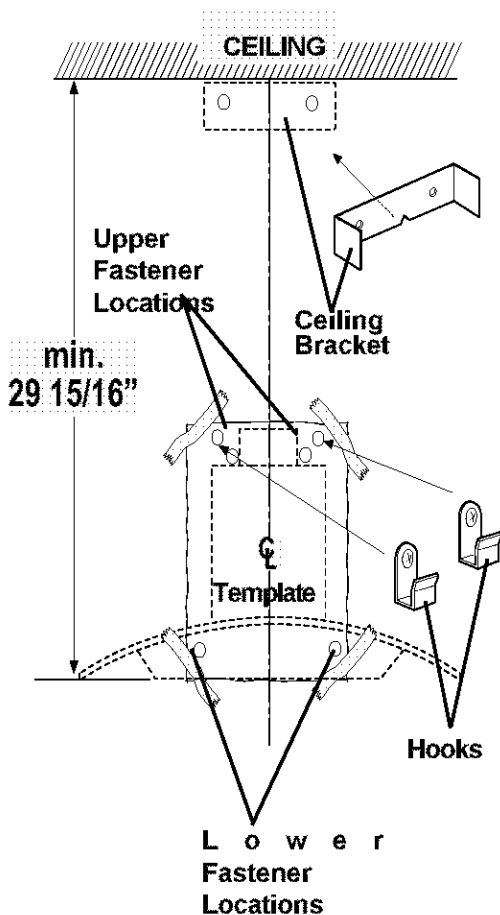


Figure 2

Preparation of mounting surface (Drywall)

1. Select a mounting height comfortable for the user and mark on wall behind cooktop.
2. Mark center line of cooktop and draw vertical line from bottom of hood to the ceiling.
3. Tape template, matching center-line and hood bottom as shown in **Fig. 2**. Distance from bottom of template to the ceiling must be minimum 29 15/16".
4. Mark centers of the 6 fastener locations through template on wall then remove template.
5. Mark wall with horizontal line 1" above highest and 1" below lowest fastener location.
6. Find studs behind drywall by tapping wall or using a stud finder. Mark the center of the studs with a vertical line to the right and left of the marked fastener location.
Note: Each 2 x 6 must span at least 2 studs side to side.
7. Cutout drywall along marked lines. Install each 2 x 6 between studs firmly flush with stud front. Make sure all mounting screws will anchor to added lumber. Replace drywall and refinish.
8. Remark center line and hood bottom on same location as before and tape template on wall as in step 3 above.
9. Mount 2 mounting hooks with wood screws (supplied in mounting hardware kit) on locations marked on template, then remove template.
10. Install duct cover ceiling bracket to wall flush to ceiling with drywall anchors supplied.

Installation

Appliance Installation:

1. Hang hood on 2 mounting hooks through the rectangular cutouts on back of hood.
2. Level the appliance, using a carpenters level across bottom of hood with leveling screws in rectangular cutouts.
3. Secure hood with 2 screws on bottom and 2 on top.

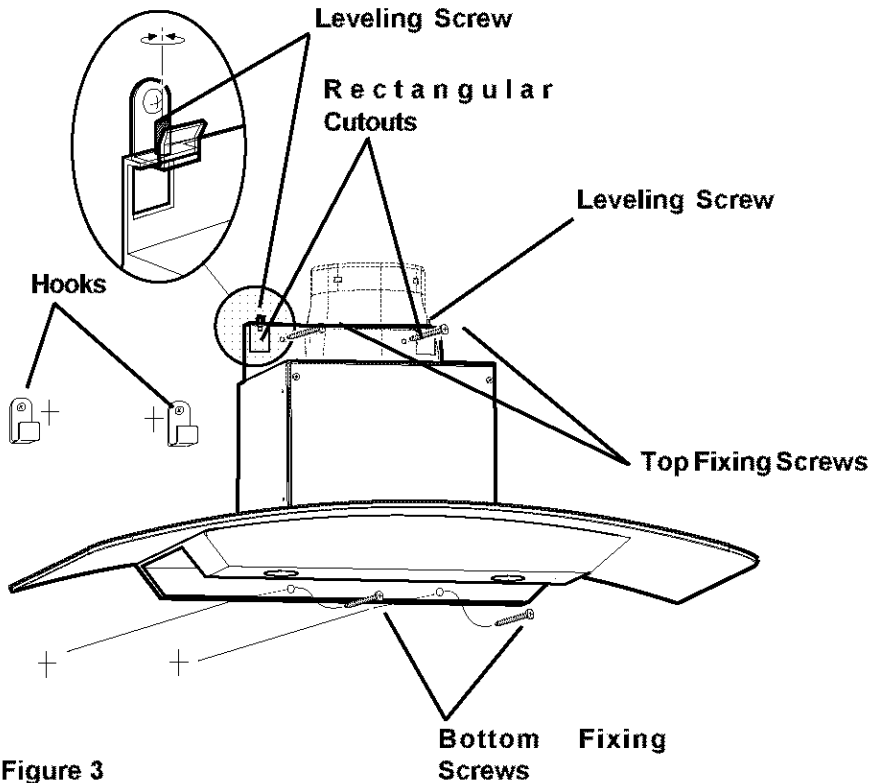


Figure 3

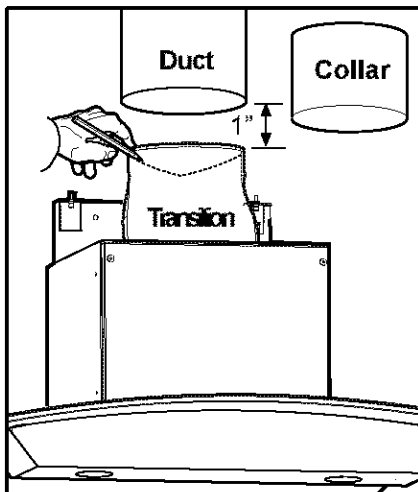


Figure 4

4. Connect ducting (Figure 4):

Note: for blower serviceability, leave a gap of 1" minimum between top of transition and sheet metal duct and cover gap with a starting collar wrapped around duct and transition. Locate collar screws so they fit into corner of duct cover. Secure collar to transition and duct with three sheet metal screws each. Seal with duct tape.

Be sure to locate screws below damper lines drawn on transition.

Mark onto exterior of transition the 'V' location of the damper within.

Secure ducting to transition with three sheet metal screws each.

Be sure to locate screws below damper lines drawn on transition.

Seal with duct tape.

Note: Do not use duct smaller than the transition.

Rear discharge: A 90° elbow may be installed immediately above the hood. For serviceability, a mounting similar to the straight up discharge should be used.

Installation

Wiring to Power Supply

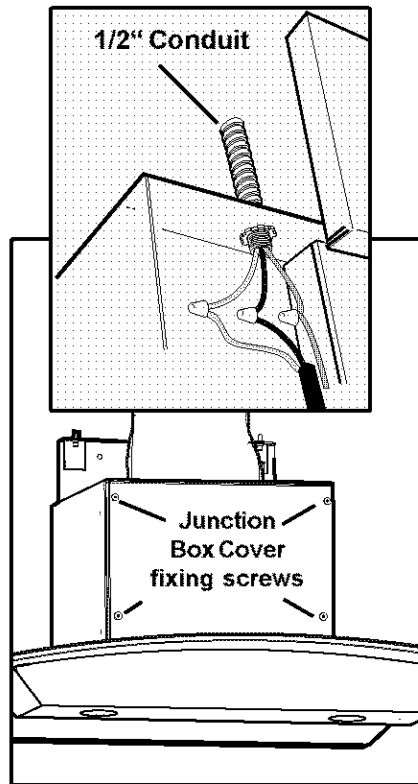


Figure 5

WARNING!

ELECTRICAL GROUNDING INSTRUCTIONS

THIS APPLIANCE IS FITTED WITH AN ELECTRICAL JUNCTION BOX WITH 3 WIRES, ONE OF WHICH (GREEN/YELLOW) SERVES TO GROUND THE APPLIANCE. TO PROTECT YOU AGAINST ELECTRIC SHOCK, THE GREEN AND YELLOW WIRE MUST BE CONNECTED TO THE GROUNDING WIRE IN YOUR HOME ELECTRICAL SYSTEM, AND IT MUST UNDER NO CIRCUMSTANCES BE CUT OR REMOVED.

Warning: Turn off power circuit at the service panel before wiring this unit.

1. 120 V AC, 15 AMP branch circuit required.
2. Remove the junction box cover, unscrew the 4 screws that fix it to the body of the hood.
3. Install the conduit connector (1/2") in junction box.
4. Run 3 wires; black, white and green (wire gauge per code) in 1/2" conduit from service panel to junction box.
5. Connect black wire from service panel to black or red in junction box, white to white and green to green-yellow.
6. Close junction box cover, with its 4 screws. Check all light bulbs to make sure they are secure in their sockets. Turn power on in service panel. Check lights and blower operation per Care & Use section of this manual. Install filters.
7. Install duct cover as shown in Fig. 6.
8. Fit the filters, see Page 9.

Rear discharge:

A 90° elbow may be installed immediately above the hood. For serviceability, a mounting similar to the straight up discharge shown in Figure 4 should be used.

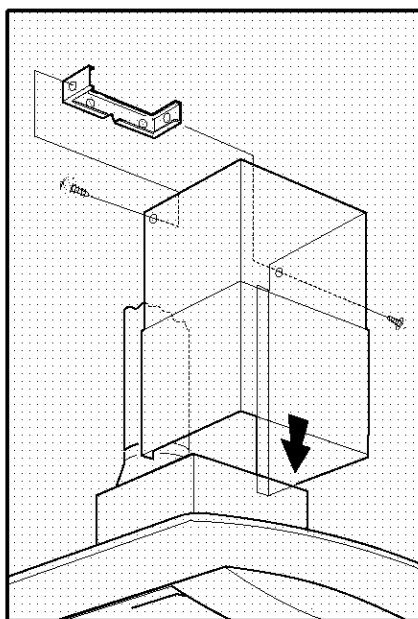


Figure 6

Use and Care

READ THE INSTRUCTIONS CAREFULLY BEFORE USING THE HOOD.
For satisfactory use of your hood, become familiar with the various functions of the hood as described below

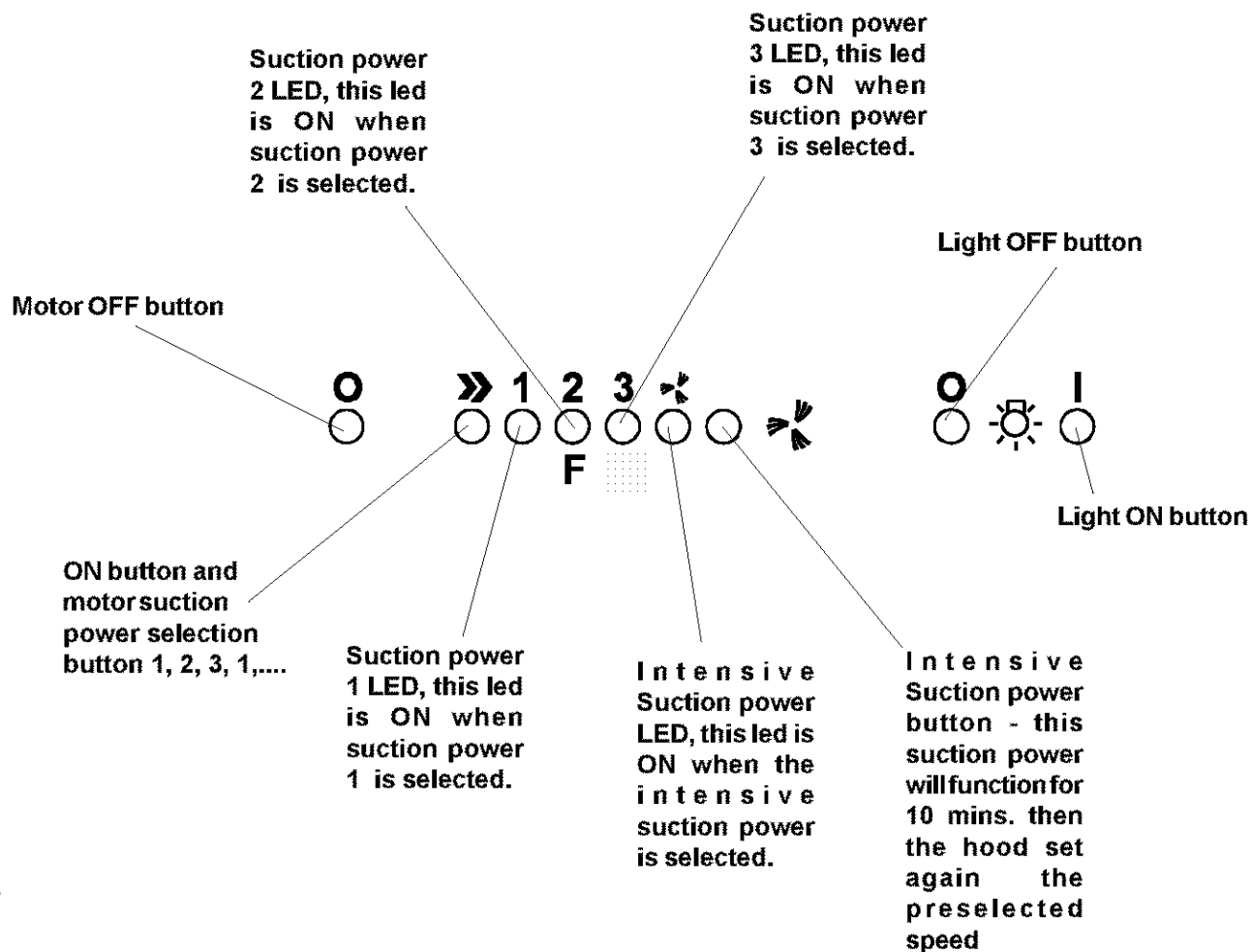


Figure 7

Grease Filter Saturation LED

The **Suction power 2 LED** is marked with an F. This LED will flash to remind you when the grease filter needs to be cleaned after 40 hours use. Follow the instructions for cleaning filters in this booklet. Once the grease filters have been cleaned, reset the reminder by pressing **Motor OFF button** for about 3 seconds until you hear the signal (beep).

Should the **Suction power 3 LED** starts to flash then push **ON and power selection button** and the **Intensive Suction power button** simultaneously for more than 3 seconds to stop flashes.

Operating Instructions

The blower should be turned on for about 5 minutes **before** cooking in order to establish air currents upward through the hood. Use the low speeds for normal use and the higher speeds for strong odors or fumes. Minimize cross drafts which will reduce the effectiveness of the hood.

Hood Cleaning

Be sure lights are cool before cleaning the hood.

To Clean Filters

- The metal grease filters will last forever. They are made of anodized aluminum
- It is recommended that the filters be washed at least once a month; they can be washed by hand or in the dishwasher.
- Drain water through edge holes and let each filter dry thoroughly before replacing it.

To Remove The Metal Grease Filters

- Disconnect the hood from electricity.
- Push clips towards the rear and pull the filters downward.
- Disengage each filter from a side and remove it

To Replace The Metal Grease Filters

- Reverse procedure.

To Clean Hood Surface

- For general care, wipe the outside of the stainless steel, white, black or glass hood with sudsy water or household cleaners such as Fantastic® or Formula 409®, rinse well and dry with clean soft cloth to avoid water marks.
- Wipe and dry brushed stainless steel in the same direction as the grain.
- Do not use abrasive products.
- To remove finger prints and give added shine use spray cleaners such as Stainless Steel Magic® and Shimmer®.

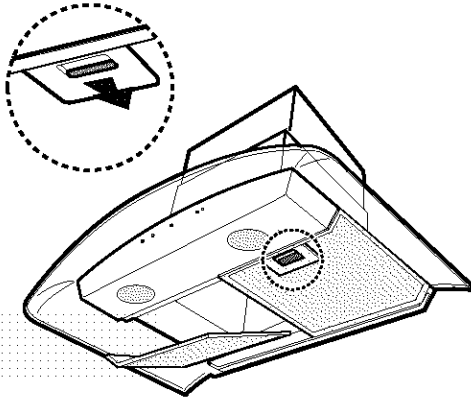


Figure 8

Lights replacement

Figure 9

Turn off electric power to hood before removing light cover.

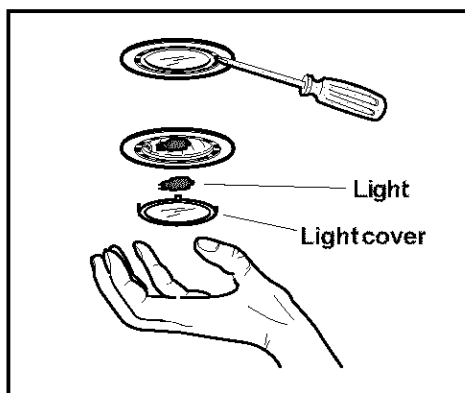


Figure 9

NOTE: Turn blower and lights off. Make sure the lights are cool. If new lights do not operate be sure lights are inserted correctly before calling service.

- Remove the light cover using a little flat screwdriver or similar tool as a lever.
- Remove the damaged light and replace with a new 12 Volt, 20 Watt (maximum) halogen light made for a G-4 base. Follow package directions and do not touch new light with bare hands.
- Reinstall the light cover (snap into position).

RANGE HOOD WARRANTY

Your range hood is protected by this warranty

	WARRANTY PERIOD	THROUGH OUR AUTHORIZED SERVICERS, WE WILL:	THE CONSUMER WILL BE RESPONSIBLE FOR:
FULL ONE-YEAR WARRANTY	One year from original purchase date.	Pay all costs for repairing or replacing any parts of this appliance which prove to be defective in materials or workmanship.	Costs of service calls that are listed under NORMAL RESPONSIBILITIES OF THE CONSUMER.*
LIMITED WARRANTY (Applicable to the State of Alaska)	Time periods listed above.	All of the provisions of the full and limited warranties above and the exclusions listed below apply.	Costs of the technician's travel to the home and any costs for pick up and delivery of the appliance required because of service.

In the U.S.A., your appliance is warranted by Electrolux Home Products North America, a division of White Consolidated Industries, Inc. We authorize no person to change or add to any of our obligations under this warranty. Our obligations for service and parts under this warranty must be performed by us or an authorized Electrolux Home Products North America servicer. In Canada, your appliance is warranted by WCI Canada, Inc.

***NORMAL RESPONSIBILITIES OF THE CONSUMER**

This warranty applies only to products in ordinary household use, and the consumer is responsible for the items listed below:

1. Proper use of the appliance in accordance with instructions provided with the product.
2. Proper installation by an authorized servicer in accordance with instructions provided with the appliance and in accordance with all local plumbing, electrical and/or gas codes.
3. Proper connection to a grounded power supply of sufficient voltage, replacement of blown fuses, repair of loose connections or defects in house wiring.
4. Expenses for making the appliance accessible for servicing, such as removal of trim, cupboards, shelves, etc., which are not a part of the appliance when it was shipped from the factory.
5. Damages to finish after installation.
6. Replacement of light bulbs and/or fluorescent tubes (on models with these features).

EXCLUSIONS

This warranty does not cover the following:

1. CONSEQUENTIAL OR INCIDENTAL DAMAGES SUCH AS PROPERTY DAMAGE AND INCIDENTAL EXPENSES RESULTING FROM ANY BREACH OF THIS WRITTEN OR ANY IMPLIED WARRANTY.
NOTE: Some states do not allow the exclusion or limitation of incidental or consequential damages, so this limitation or exclusion may not apply to you.
2. Service calls which do not involve malfunction or defects in workmanship or material, or for appliances not in ordinary household use. The consumer shall pay for such service calls.
3. Damages caused by services performed by servicers other than Electrolux Home Products North America or its authorized servicers; use of parts other than genuine Electrolux Home Products parts; obtained from persons other than such servicers; or external causes such as abuse, misuse, inadequate power supply or acts of God.
4. Products with original serial numbers that have been removed or altered and cannot be readily determined.

IF YOU NEED SERVICE

Keep your bill of sale, delivery slip, or some other appropriate payment record. The date on the bill establishes the warranty period should service be required. If service is performed, it is in your best interest to obtain and keep all receipts. This written warranty gives you specific legal rights. You may also have other rights that vary from state to state. Service under this warranty must be obtained by contacting Electrolux Home Products:

This warranty only applies in the 50 states of the U.S.A., Puerto Rico, and Canada. Product features or specifications as described or illustrated are subject to change without notice. All warranties are made by Electrolux Home Products North America, a division of White Consolidated Industries, Inc. In Canada, your appliance is warranted by WCI Canada, Inc.

03-U-RH-02

USA
800•944•9044
 Electrolux Home Products North America
 P.O. Box 212378
 Augusta, GA 30917

Canada
866•213•9397 (English)
866•294•9911 (French)
 Electrolux Home Products North America
 6150 McLaughlin Road
 Mississauga, Ontario, Canada
 L5R 4C2