

**PRODUCT MODEL SERIES**

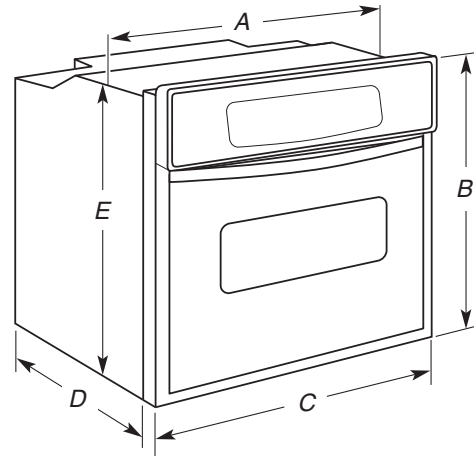
KBHC109J      KBMC140H  
KBHC179J      KBMC147H

**Electrical:** Microwave oven must be connected to the proper electrical voltage and frequency as specified on the model/serial number rating plate. The model/serial number rating plate is located on the right-hand microwave oven frame. When a 4-wire or 3-wire, single phase 120/208 or 120/240 volt, 60Hz, AC only electrical supply is available, a 20-amp maximum circuit protection is required, fused on both sides of the line.

**NOTE:** Models KBHC109 and KBHC179 require a 30-amp circuit.

A time-delay fuse or circuit breaker is recommended. Connect directly to the fused disconnect (or circuit breaker box) through flexible, armored or nonmetallic sheathed, copper cable (with grounding wire).

**OVERALL DIMENSIONS**



**27" (68.6 cm) models**

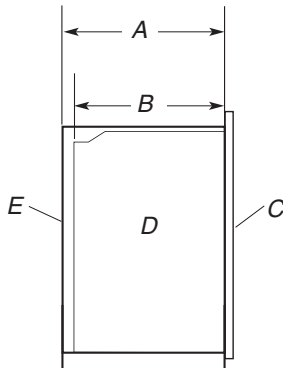
- A. 25<sup>3</sup>/<sub>8</sub>" (64.5 cm) recessed width
- B. 20<sup>1</sup>/<sub>2</sub>" (52.1 cm) overall height
- C. 26<sup>3</sup>/<sub>4</sub>" (67.9 cm) overall width
- D. 23" (58.4 cm) max. recessed depth
- E. 19<sup>1</sup>/<sub>16</sub>" (48.7 cm) recessed height

**30" (76.2 cm) models**

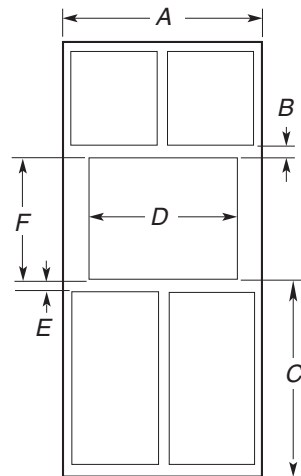
- A. 28<sup>3</sup>/<sub>8</sub>" (72.1 cm) recessed width
- B. 20<sup>1</sup>/<sub>2</sub>" (52.1 cm) overall height
- C. 29<sup>3</sup>/<sub>4</sub>" (75.6 cm) overall width
- D. 23" (58.4 cm) max. recessed depth
- E. 19<sup>1</sup>/<sub>16</sub>" (48.7 cm) recessed height

**CABINET OPENING DIMENSIONS**

**Cabinet Side View**



- A. 23<sup>1</sup>/<sub>4</sub>" (59.1 cm) min. cutout depth
- B. 23" (58.4 cm) recessed oven depth
- C. Oven front
- D. Recessed oven
- E. Cabinet



**27" (68.6 cm) models**

- A. 27" (68.6 cm) min. cabinet width
- B. 1" (2.5 cm) top of cutout to bottom of upper cabinet door
- C. 40" (101.2 cm) bottom of cutout to floor (recommended)
- D. 25<sup>1</sup>/<sub>2</sub>" (64.8 cm) cutout width
- E. 1<sup>1</sup>/<sub>2</sub>" (3.8 cm) min. bottom of cutout to top of cabinet door
- F. 19<sup>1</sup>/<sub>16</sub>" (49.4 cm) cutout height

**30" (76.2 cm) models**

- A. 30" (76.2 cm) min. cabinet width
- B. 1" (2.5 cm) top of cutout to bottom of upper cabinet door
- C. 40" (101.2 cm) bottom of cutout to floor (recommended)
- D. 28<sup>1</sup>/<sub>2</sub>" (72.4 cm) cutout width
- E. 1<sup>1</sup>/<sub>2</sub>" (3.8 cm) min. bottom of cutout to top of cabinet door
- F. 19<sup>1</sup>/<sub>16</sub>" (49.4 cm) cutout height