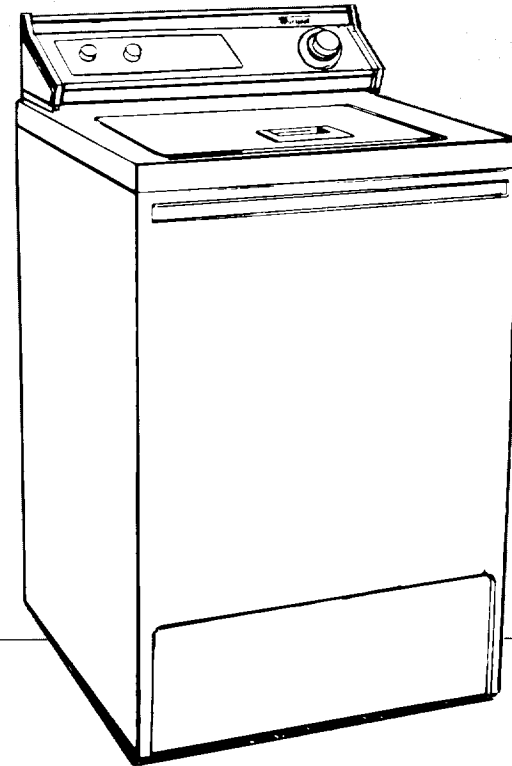


Installation Instructions



Part No. 3347022

Washer

IMPORTANT

Installer: Leave Installation Instructions with the homeowner.

Homeowner: Keep Installation Instructions for future reference.

Save Installation Instructions for local electrical inspector's use.



Before you start...

Check location where washer will be installed. Proper installation is your responsibility. Make sure you have everything necessary for correct installation.

Grounded electrical outlet is required. See Electrical requirements.

Standpipe drain system needs a two-inch minimum diameter standpipe with minimum carry-away capacity of 17 gallons per minute. Top of standpipe must be at least 34 inches high and not higher than 72 inches from bottom of washer.

Floor drain system requires a siphon break, Part No. 285320.

SEE RECESSED AREA INSTRUCTIONS ON BACK COVER.

Untape and open washer lid. Remove packages and hoses from washer.

Hot and cold water faucets: must be within 4 feet of the back of the washer and provide water pressure 5-100 PSI.

Laundry tub drain system needs a 20-gallon laundry tub. Top of tub must be at least 34 inches high and no higher than 72 inches from bottom of washer.

Important: observe all governing codes and ordinances.

If a longer drain hose is needed, drain hose and hose extension kits are available from Whirlpool authorized parts distributors.

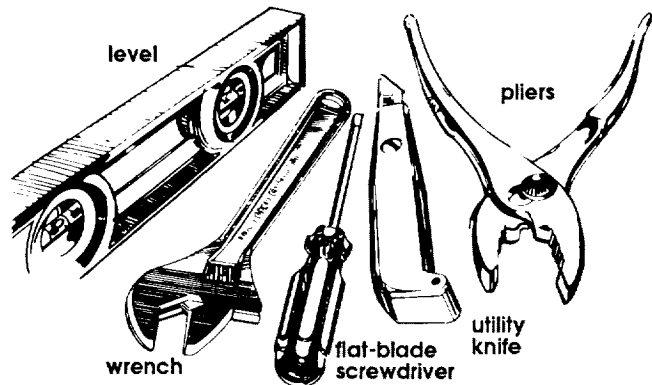
Water heater: set to deliver 140°F water to the washer.

Protection from weather: Do Not store or operate washer below 32°F. See Use and Care Guide for further information.

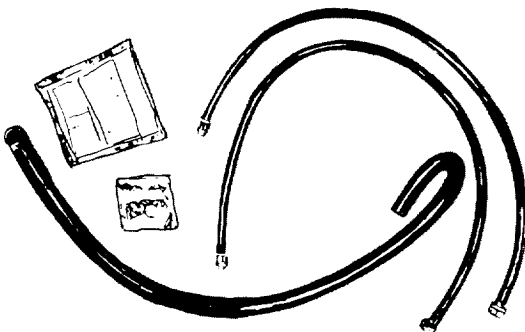
Level floor: maximum slope under washer, 1 inch.

Support: floor must be sturdy enough to support washer weight of 315 pounds.

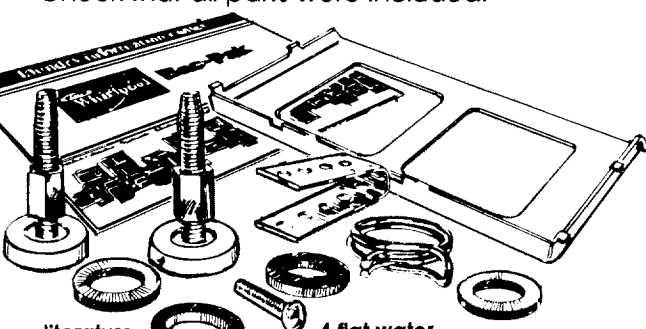
Tools needed for installation:



Parts supplied for installation:



Remove parts from packages. Check that all parts were included.



literature package
1 drain hose
1 grounding clamp and screw
1 hose clamp
2 inlet hoses

4 flat water hose washers
2 front leveling legs with nuts
1 literature rack (not supplied with all models)

Electrical requirements

⚠ WARNING

Electrical Shock Hazard

- Check with a qualified electrician if you are in doubt as to whether the appliance is properly grounded. Do Not modify the power supply cord plug – if it will not fit the outlet, have a proper outlet installed by a qualified electrician. Improper connection of the equipment-grounding conductor can result in a risk of electrical shock.
- Do Not use an extension cord with this appliance. Such use may result in a fire, electrical shock or other personal injury.
- Do Not have a fuse in the neutral or grounding circuit. This could result in a risk of electrical shock.

120 Volt, 60 Hz, AC only, 15 or 20 Ampere fused electrical supply is required. A time-delay fuse or circuit breaker is recommended. It is recommended that a separate circuit serving only this washer be provided.

Recommended grounding method

Do Not, under any circumstances, remove the power supply cord grounding prong.

For your personal safety, this washer must be grounded. This washer is equipped with a power supply cord having a 3-prong grounding plug. To minimize possible shock hazard, the cord must be plugged into a mating 3-prong, grounding-type wall receptacle, grounded in accordance with the National Electrical Code, ANSI/NFPA 70- latest edition and local codes and ordinances. See Figure 1.

If a mating wall receptacle is not available, it is the personal responsibility and obligation of the customer to have a properly grounded, 3-prong wall receptacle installed by qualified electrician.

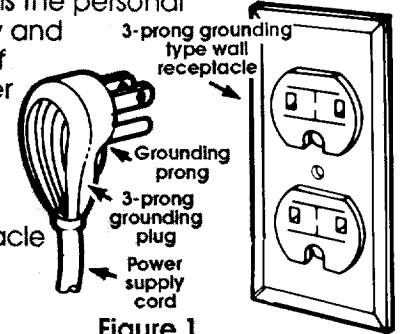


Figure 1

For added personal safety, use clamp and green-colored copper grounding wire. Connect the grounding wire (#18 minimum) from the external grounding connector screw on the back of the washer to a grounded cold water pipe*. Do Not ground to a gas supply pipe or hot water pipe. See Figure 2.

Electrical ground is required on this washer.

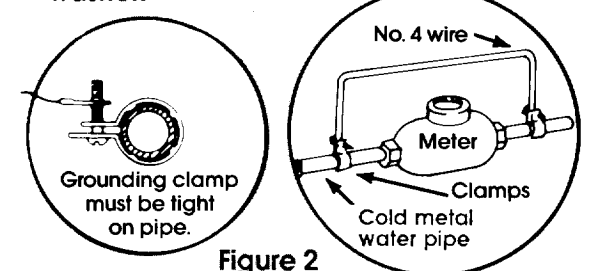


Figure 2

*Grounded cold-water pipe must have metal continuity to electrical ground and not be interrupted by plastic, rubber and other

electrical insulating connectors such as hoses, fittings, washer or gaskets (including water meter or pump). Any electrical insulating connector should be jumped as shown in Figure 2 with No. 4 wire securely clamped to bare metal at both ends.

Alternate grounding method

DO NOT, UNDER ANY CIRCUMSTANCES, REMOVE THE POWER SUPPLY CORD GROUNDING PRONG.

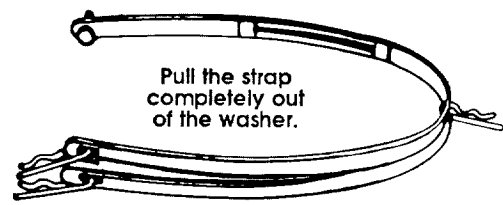
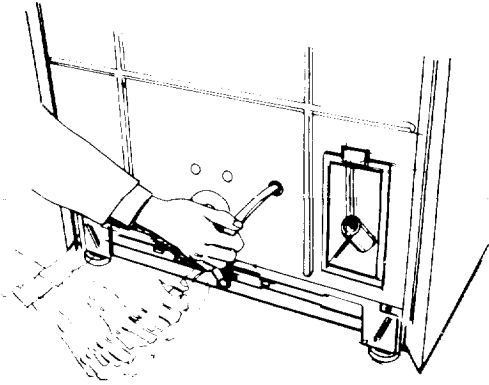
If changing and properly grounding the wall receptacle is impossible and where local codes permit (consult your electrical inspector), a temporary adapter may be plugged into the existing 2-prong wall receptacle to mate with the 3-prong power supply cord.

THIS IS NOT RECOMMENDED.

If this is done, you **must** connect a separate, copper grounding wire (#18 minimum) to a grounded cold-water pipe* by means of a clamp and then to the external grounding connector screw on the back of the washer. **Do Not ground to a gas supply pipe or hot-water pipe.** Do Not connect the power cord to outlet until the appliance is permanently grounded. See Figure 2.

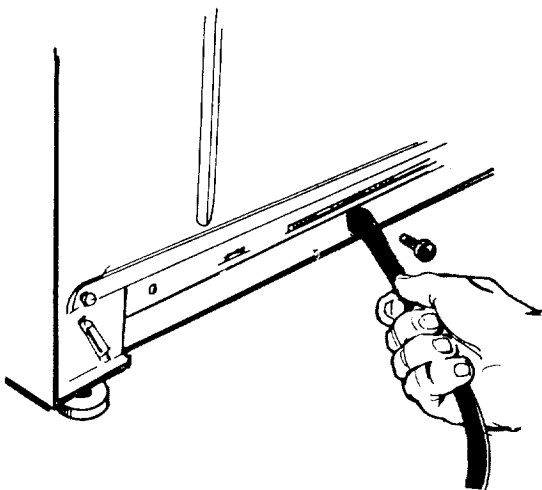
Now start...

with washer in laundry area

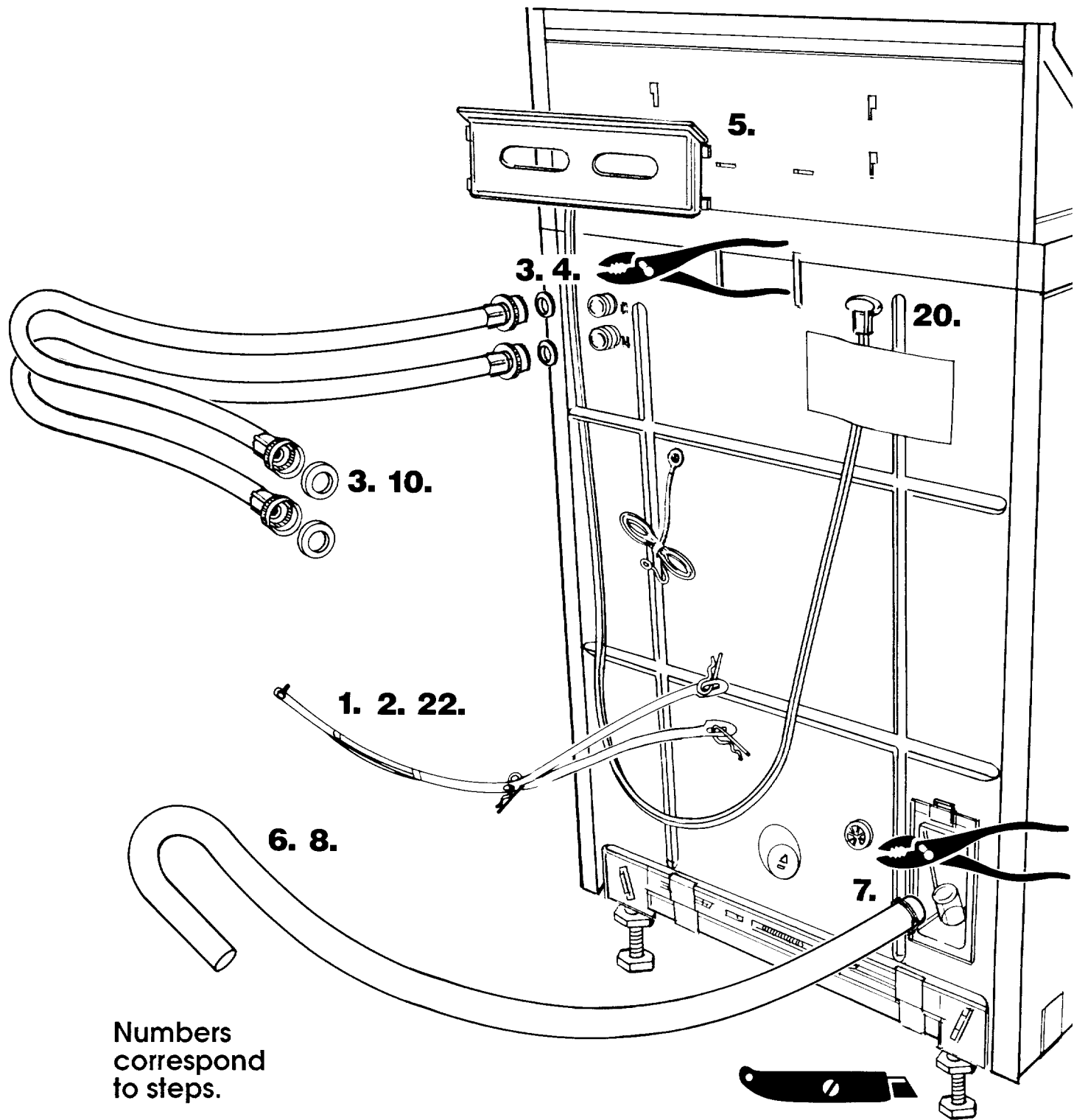


Pull the strap completely out of the washer.

1. Remove tape that covers shipping strap. Pull to completely remove the shipping strap from the inside of the washer. Read, then remove label that covers power cord and drain connector. Peel the tape down and off each side of cabinet.

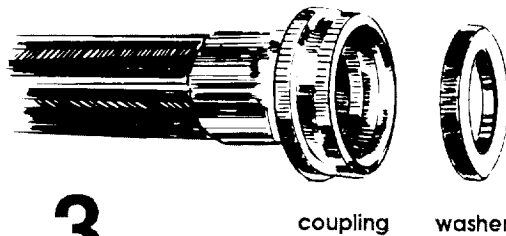


2. Pull firmly to remove the other end of the shipping strap from the back of the washer. The shipping strap plug must be completely removed from the washer for the self-leveling legs to be released.

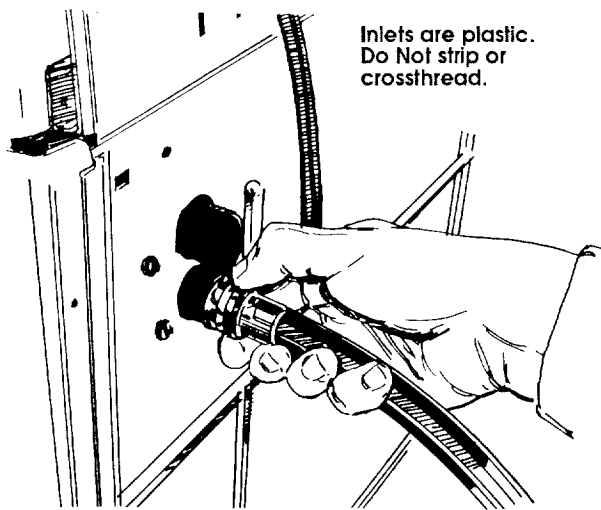


Numbers correspond to steps.

Use new hoses and washers that came with your Whirlpool washer.



3. Insert a flat washer into **each** end of the inlet hoses. Check that washers are firmly seated in couplings.



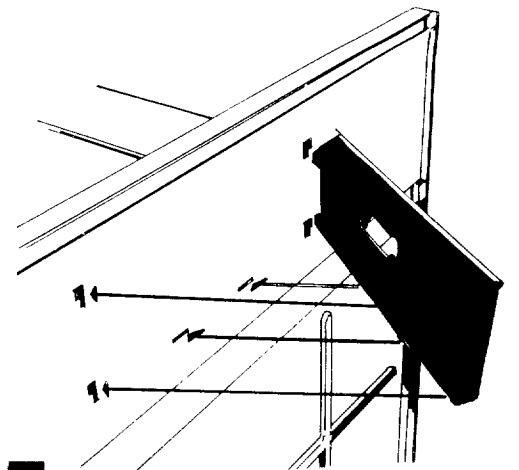
Inlets are plastic. Do Not strip or crossthread.

4. Attach hose to bottom inlet valve opening first, then second hose to top inlet. Tighten couplings by hand; then use pliers to make an additional two-thirds turn.

CAUTION

Potential Floor Damage

Slide washer onto cardboard or hardboard before moving across floor. Failure to do so may cause damage to floor covering.

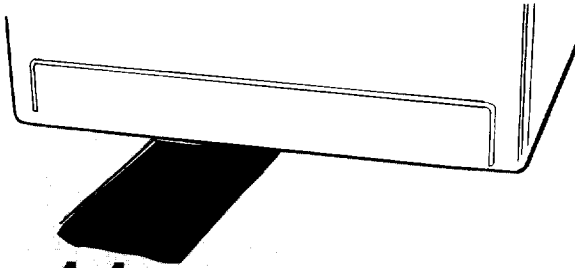


5. If your washer has a literature rack, insert the tabs on sides and bottom of literature rack into holes in back panel of washer. Gently push in and down until all tabs lock.

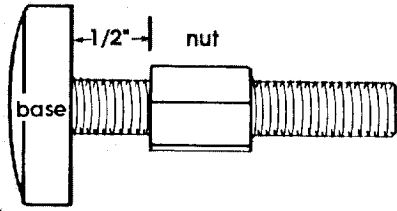


6. Move washer close to final position. Put "hook" end of drain hose into laundry tub or standpipe. Estimate length of drain hose needed when washer is in final position. Hose must be cut exactly to length so "hook" end is held tightly over edge of tub or standpipe. If drain hose is too long — cut straight end of hose. (Do Not cut "hook" shaped end of drain hose).

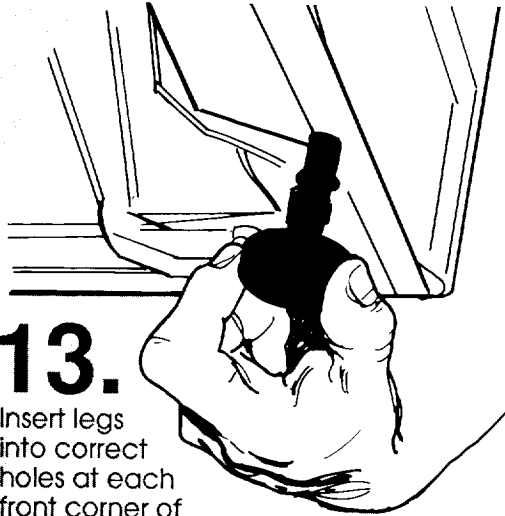
15.



11. Carefully tilt washer backward until front of washer is 3-4 inches off of floor. Insert 1 or 2 corner posts.



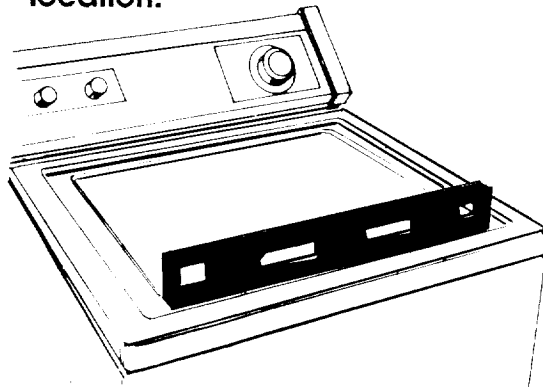
12. Use legs and nuts from parts package. Screw nut down to within 1/2" of base.



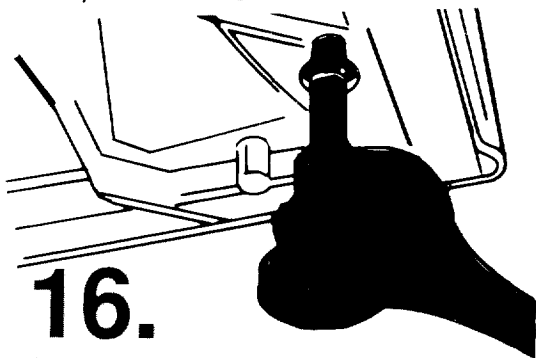
13. Insert legs into correct holes at each front corner of washer until nuts touch washer. **Do Not** tighten nuts until Step 16.

14. Tilt washer backward and remove corner post(s). Gently lower washer to floor.

Move washer to its permanent location.



15. Tilt washer forward raising back legs 1" off of floor to automatically adjust rear self-leveling legs. Gently lower washer to floor. Check levelness at the washer front and from front to back on each side using a carpenter's level.

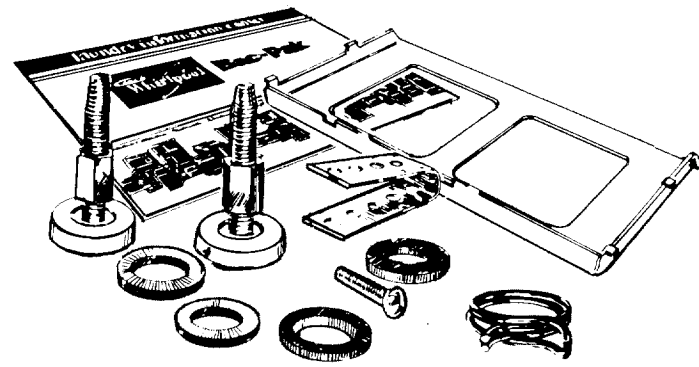


16. If washer is not level, screw the front legs up or down to adjust. Make final check with level.

17. When washer is level, use wrench to turn nuts on front legs up tightly against washer base. **If nuts are not tight against washer base, the washer may vibrate.**

Note: If washer is moved to adjust drain hose, the washer must be leveled again. Repeat Steps 15-17.

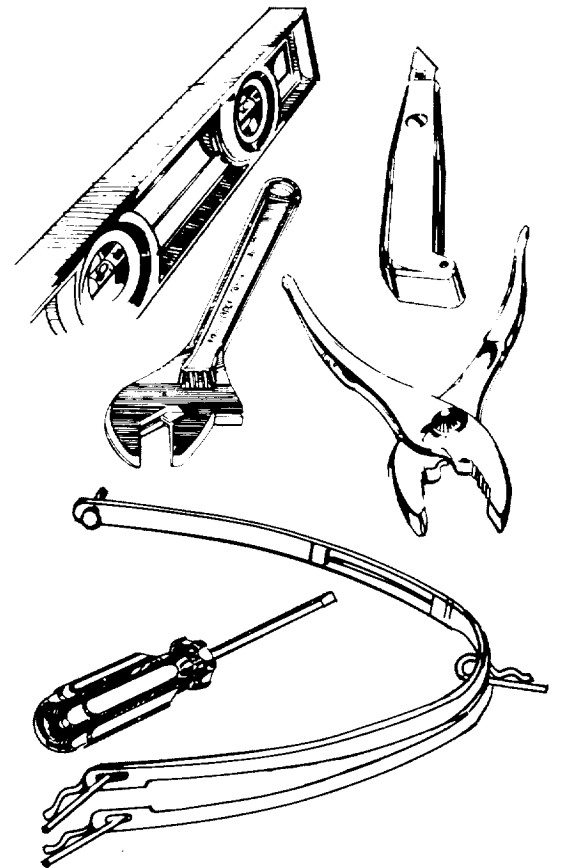
18. CHECK ELECTRICAL REQUIREMENTS. BE SURE YOU HAVE CORRECT ELECTRICAL SUPPLY AND RECOMMENDED GROUNDING METHOD.



19. Check that all parts are now installed. See parts list, Panel A. If there is an extra part, go back through steps to see which step was skipped.

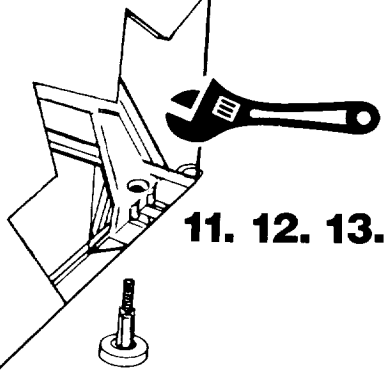
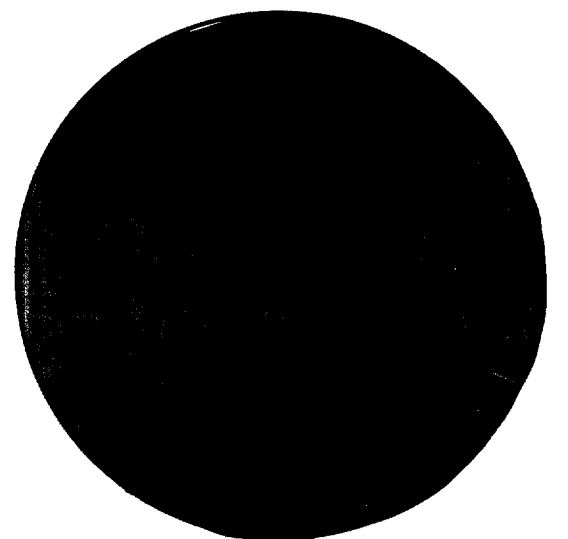
20. Turn on water faucets and check for leaks. Tighten couplings if there is leaking.

21. Untape electrical cord and plug into grounded outlet.

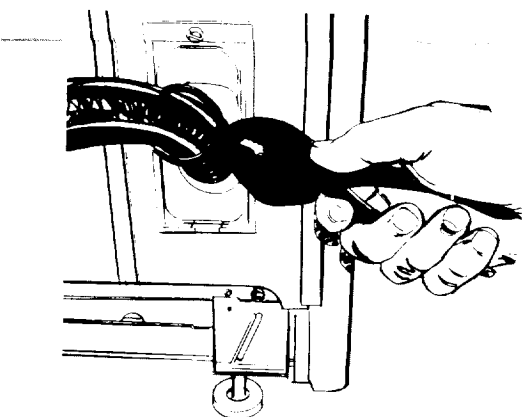


22. Check that you have all tools that you started with and that the shipping strap with its 3 cotterpins was removed from the washer.

23. Take a few minutes and read the Use and Care Guide to fully understand your new washer. Now start the washer and allow it to complete the regular cycle. Put the literature in the literature rack. (Literature rack is not supplied with all models.)



11. 12. 13. 14. 16. 17.



7. Place hose clamp over drain hose. Push end of drain hose onto washer connector. Use pliers to open clamp and slide clamp over drain hose and connector. Check for good fit.

8. Put "hook" end of drain hose back in laundry tub or standpipe. Check for proper length of drain hose. If drain hose is too long, disconnect and repeat Steps 6 and 7.

CHECK THAT HOSE IS NOT TWISTED OR KINKED AND IS SECURELY IN PLACE.



9. Before attaching water inlet hoses, run water through both faucets to get rid of particles in water lines.

10. Attach bottom hose (inlet marked "H") to hot-water faucet. Attach top hose (inlet marked "C") to cold-water faucet. Tighten coupling to faucet by hand. Then use pliers to make final two-thirds turn.

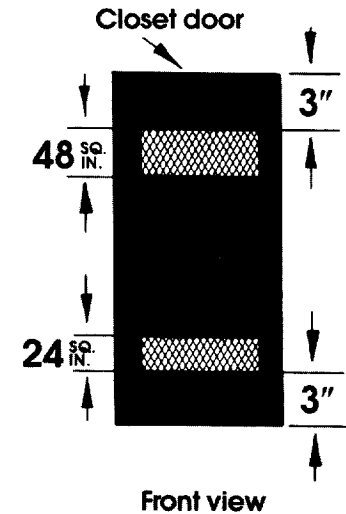
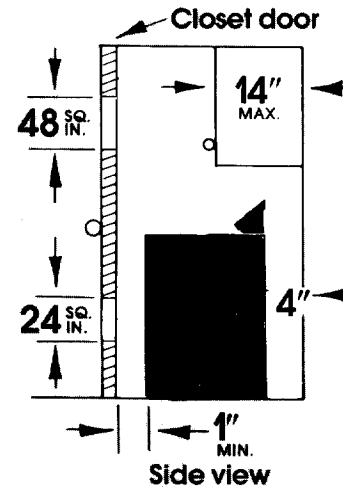
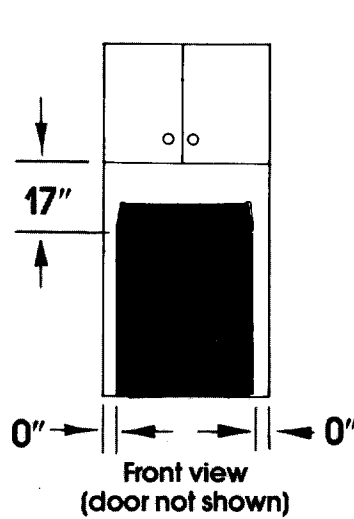
Recessed area instructions.

This washer may be installed in a recessed area or closet.

The installation spacing is in inches and is minimum allowable. Additional spacing should be considered for ease of installation and servicing.

If closet door is installed the minimum air openings in top and bottom are required. Louvered doors with air openings in top and bottom are acceptable.

Companion appliance spacing should be considered.



Minimum installation spacing

