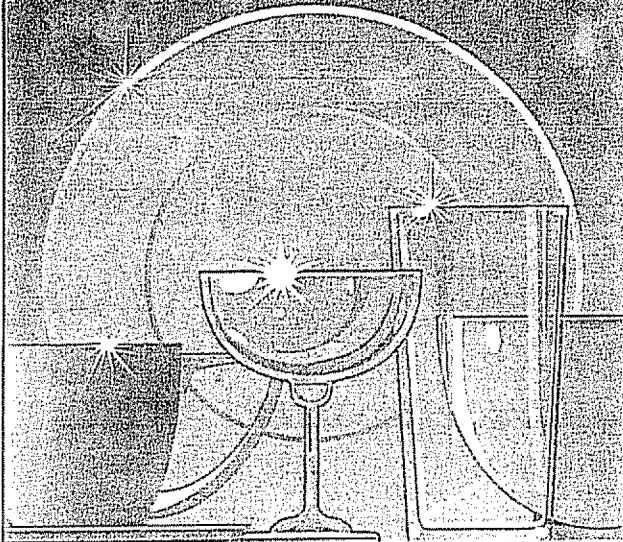


Automatic Dishwashing Guide

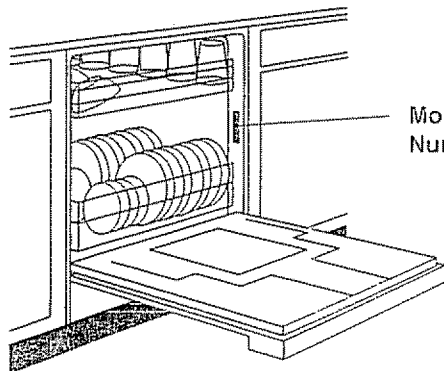
SEARS



Kenmore Dishwashers

Safety Instructions	2
What Your Dishwasher Needs to Do Its Job	3
Important Parts of Your Dishwasher	4
Special Tips	5
Proper Loading	6,7,8
Detergent and Rinse Agent Dispensers	9
Portable Dishwasher Information	10,11
Door Panels	11
User Maintenance Instructions	12,13
Problems and Solutions	14,15
Sears Service, Warranty	Back Cover

Read and Save These Instructions



Model and Serial
Number Plate

Fill in these spaces:

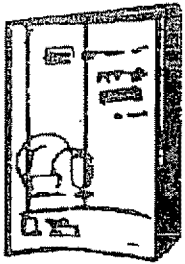
Model No.: _____

Serial No.: _____

Purchase Date: _____

#5303283134

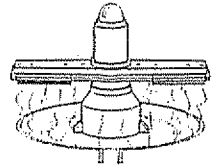
Important Safety Instructions



WARNING: Please follow basic precautions, including the following:

Read all INSTRUCTIONS before using dishwasher.

DO NOT touch heating element during or immediately after use. Allow time to cool.



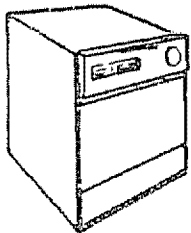
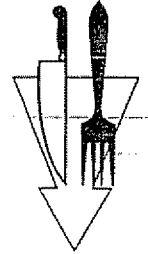
For best results use fresh granular automatic dishwashing detergent and a rinse agent recommended for use in a dishwasher.

Load sharp or pointed tableware with handles up (points down) to avoid injury when reaching into dishwasher.



Store detergents in a cool, dry place OUT OF CHILDREN'S REACH

Load sharp items and knives so they won't damage door seal.

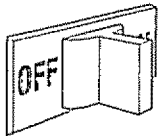
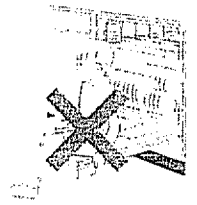


DO NOT tamper with controls.

DO NOT sit or stand or abuse dishwasher door or dishracks.

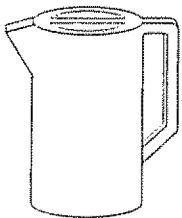
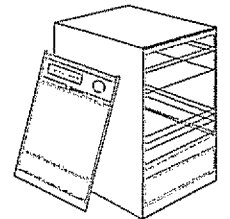
DO NOT operate dishwasher unless all enclosure panels are properly in place.

DO NOT allow children to play in or on dishwasher.



ALWAYS disconnect electrical power to dishwasher before attempting to service.

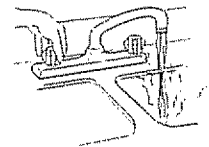
When discarding old dishwasher, ALWAYS remove door to prevent accidental entrapment.



REMEMBER, use dishwasher for intended function only.

WARNING: Under certain conditions, hydrogen gas may build up in a hot water system that has not been used for two weeks or more. HYDROGEN GAS IS EXPLOSIVE. To prevent injury or damage, before using dishwasher, turn on all hot water faucets and allow water to run for several minutes. This will allow gases to escape. As the gas is flammable, DO NOT smoke or use an open flame near faucets while they are open.

DO NOT wash plastic items unless marked "Dishwasher Safe" or equivalent. If unmarked, check manufacturer's recommendations.

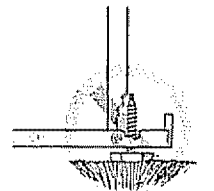


To avoid risk of electrical shock, the dishwasher must be electrically grounded before it is operated.



- Built-In models - see Installation Instructions book.
- Portable models-see portable dishwasher information included in this book.

DO NOT install dishwasher on carpeted floor

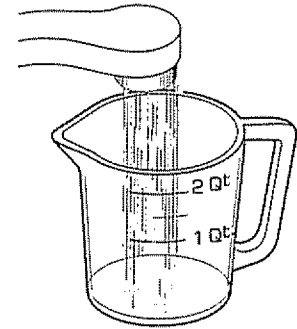
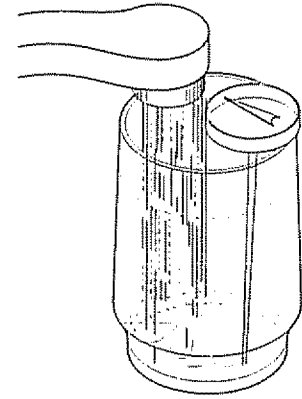


Save These Instructions

What Your Dishwasher Needs To Do Its Job

Hot Water

- Hot water is needed for best dishwashing and drying results. **Before starting the dishwasher**, turn on the hot water faucet nearest the dishwasher to clear cool water from the pipe.
- Water supplied to dishwasher **must be at least 120°F (49°C)**. Improved performance may be obtained by raising water temperature to 140°F (60°C). Check water heater for proper temperature setting. Check hot water temperature at sink faucet with candy or meat thermometer. **Caution: Water temperature should not exceed 160°F (71°C)**.
- Do not operate dishwasher during or right after other heavy use of hot water, such as laundry or bathing.
- Some models are equipped with a Water Heat option which will bring water to the proper washing temperature. Cycle time will be extended while water is heating. For example, incoming water temperature of 120°F (49°C) will add 20-30 minutes washing time to heat water.

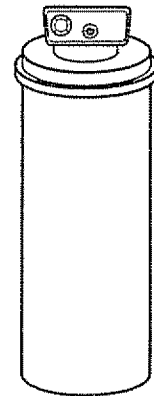


Water Pressure

Water supply pressure must be between 15 and 120 pounds per square inch. To determine if you have enough pressure, put a gallon container under fully opened hot water faucet nearest dishwasher. If container fills in less than 14 seconds, water pressure is within an acceptable range. Be sure all other faucets are turned off during this test. **NOTE: Motor sounds will be heard when water enters the dishwasher.**

Water Conditions

In areas where water is very hard (12 grains or more), it may be necessary to install a water softener to assure proper performance from your dishwasher. If you do not know the hardness of your water supply, contact your local water department or bring a sample into your Sears store for testing.

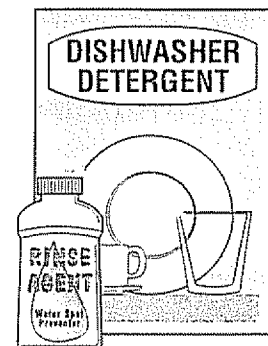


Detergents

The use of fresh granular automatic dishwasher detergent is recommended in the amount sufficient for your water condition. NEVER use laundry detergents, liquid soaps or other household cleaners in your dishwasher. Some detergents will be more effective with your water conditions than others. Refer to the table on page 9 for the correct amount of detergent according to your water condition. Store detergent in a cool, dry place. Follow label instructions for liquid dishwasher detergents.

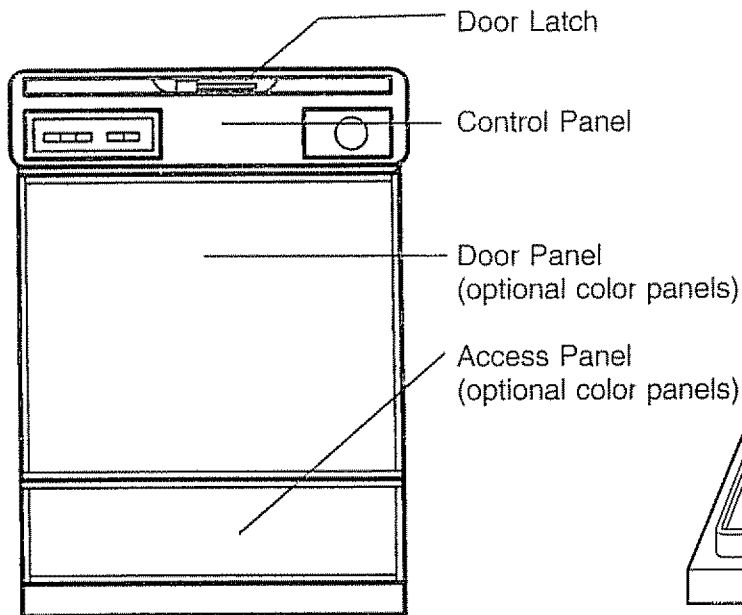
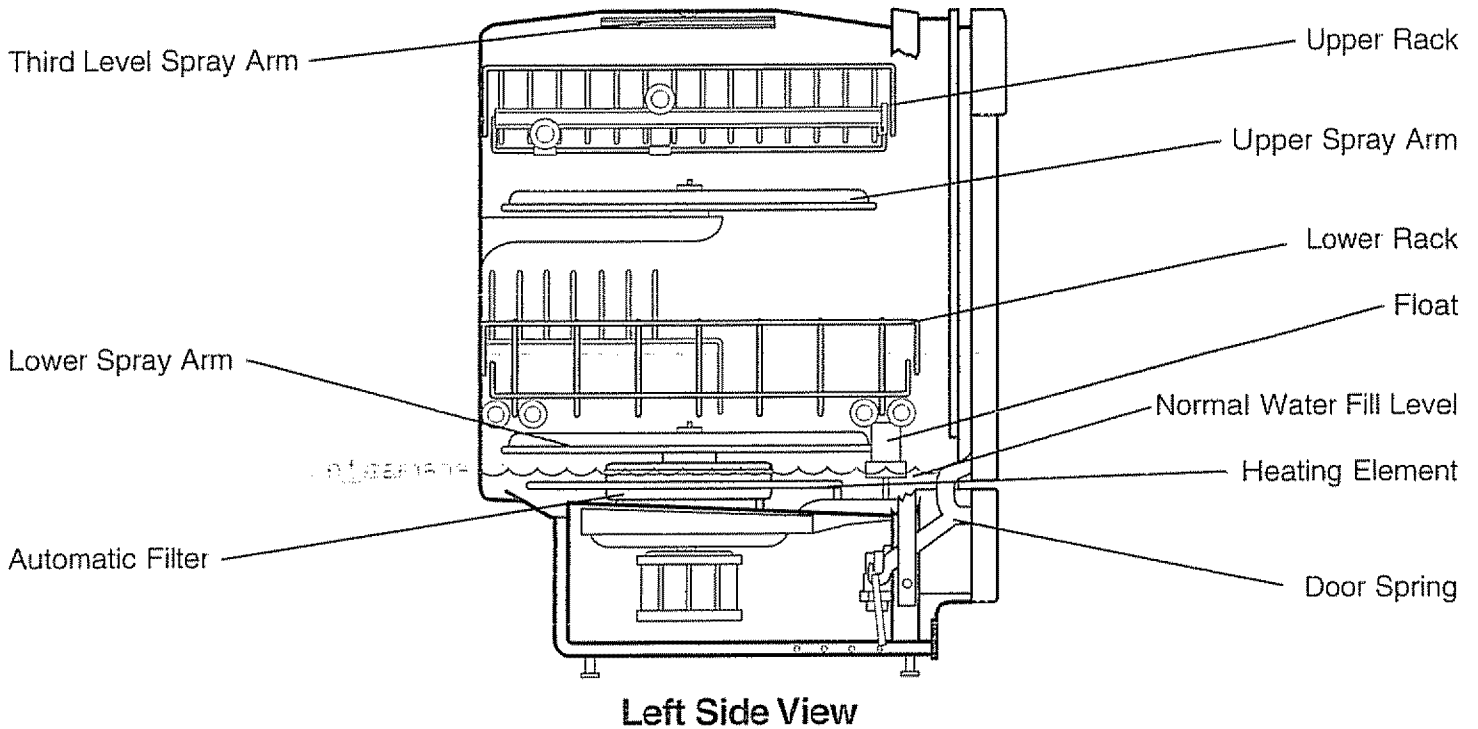
Rinse Agents

Rinse agents are designed to make water sheet off glasses, dishes, and silverware to prevent spotting and speed up the drying process. For best results, refill the rinse agent dispenser approximately once a month, or if your model does not have a liquid rinse agent dispenser, use the solid form rinse agent and replace when empty. (For more information, see page 9)

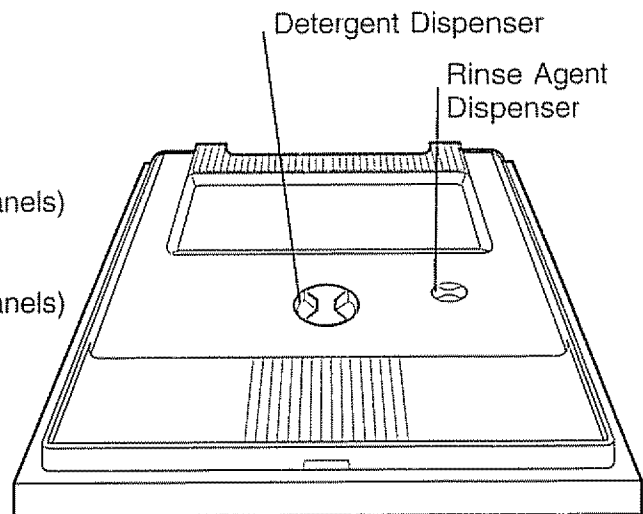


Important Parts of Your Dishwasher

The model you have selected may not have all features shown.



Front View



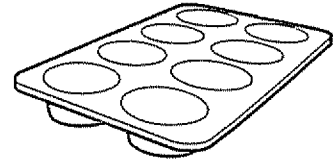
Inner Door

NOTE: Your dishwasher has been shipped with a pink protective film over the door and access panel trim. For best appearance of your new dishwasher, make sure this film has been removed.

Special Tips on Dishwasher Use

Most utensils and dishware can be safely washed in your dishwasher. However, some materials may require special handling.

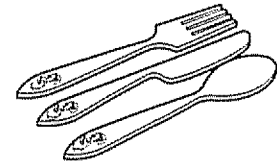
ALUMINUM: Some darkening may take place. Colored aluminum may fade. Do not place aluminum items directly in front of detergent cups where contact with undissolved detergent could cause pitting, spotting or discoloration.



CAST IRON: Cast iron utensils should be hand washed.



CRYSTAL: Load carefully in upper rack only. To prevent chipping, items should not touch. Hand wash delicate items. Use Cool Dry option for crystal items.

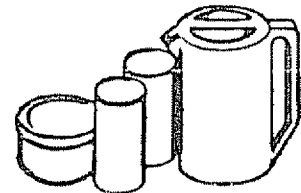


FLATWARE: Sterling, silverplate and stainless steel are normally dishwasher safe. Do not mix silver and stainless or the finishes may be damaged. Flatware with dark decorative shading and/or non-metallic handles should be hand washed.



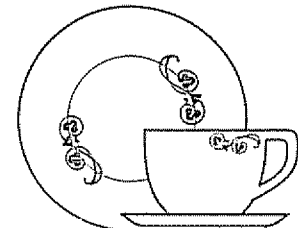
PEWTER: Pewter or pewter-like materials should be hand washed.

PLASTIC: Plastic items should be placed in upper rack only to eliminate the possibility of distortion by the heating element. Wash only those items marked "Dishwasher Safe."



WOOD: Wooden items should be hand washed.

CHINA: Antique, hand painted china and those with gold or platinum trim should be hand washed.



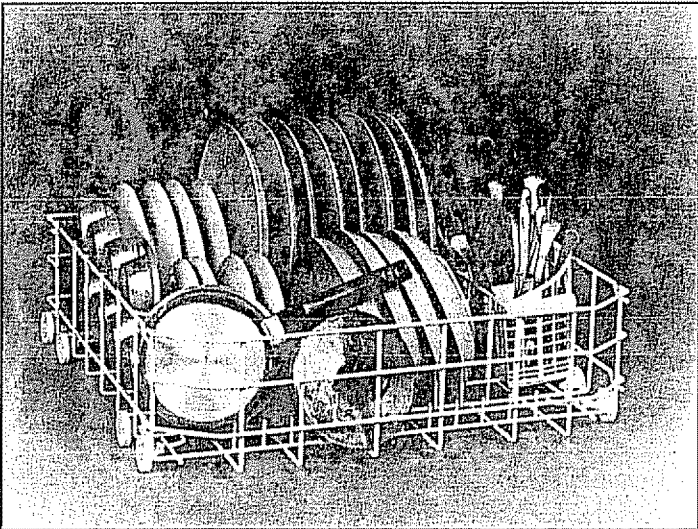
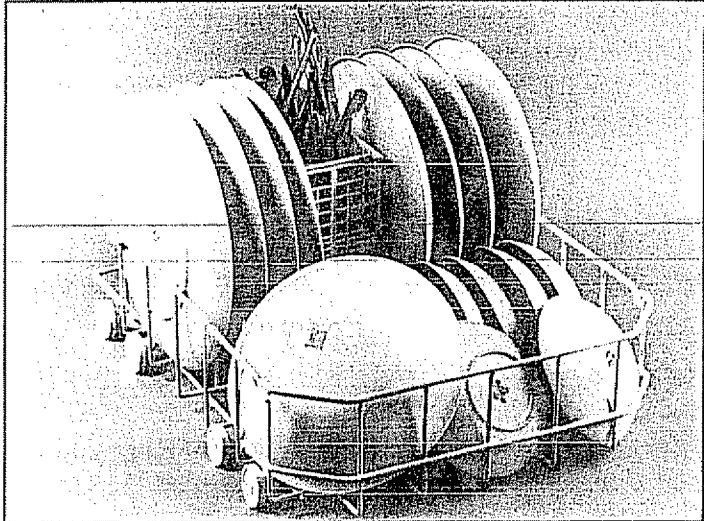
Proper Loading

Dishes do not need to be pre-rinsed before loading. Simply scrape away excess food, bones, pits, etc. Burned-on food should be loosened before loading. Empty liquids from glasses and cups.

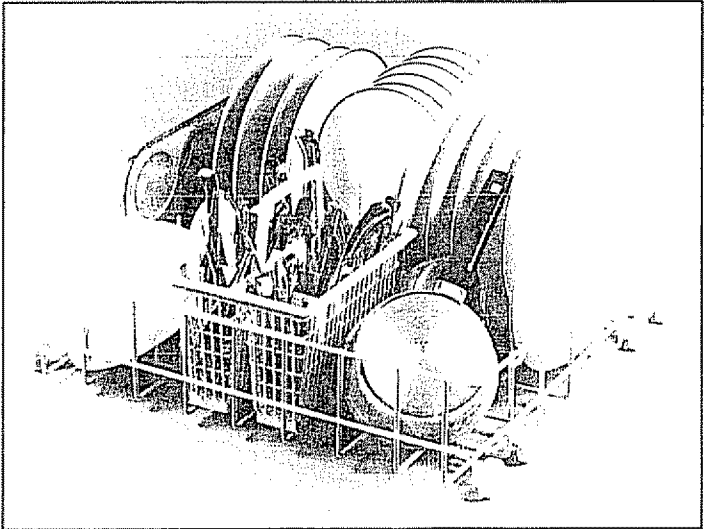
Always load dishes so spray reaches soiled surfaces. Water must drain off completely for best results

Lower Rack

- Make sure pot handles and other items do not stop rotation of spray arms or block center wash tower from extending upward.
- Load cookie sheets, cake pans and other large items at sides. Do not block the detergent dispenser.
- Items should be loaded with soiled surfaces facing inward.
- Place plates, soup bowls, etc. **between** prongs and facing inward.
- Place heavily soiled cookware in lower rack.



24" Models



24" Models

Tower Models

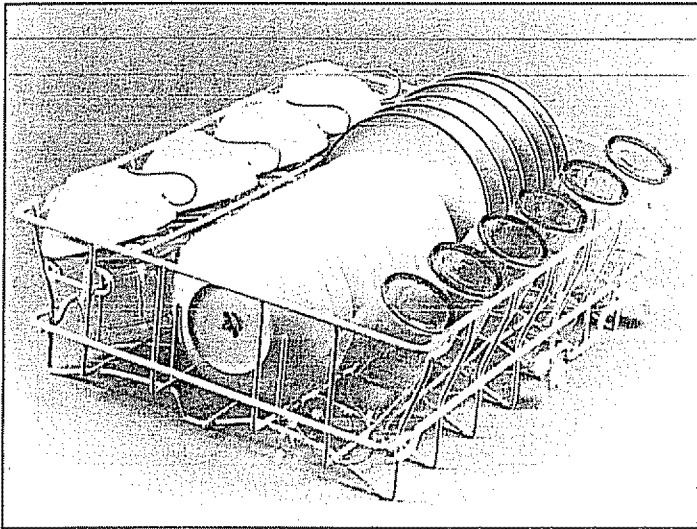
NOTE: On tower models, do not block the center area of lower rack when loading. The center wash tower extends through this area. Blockage may result in poor cleaning. (Select models)

Do not block center area.

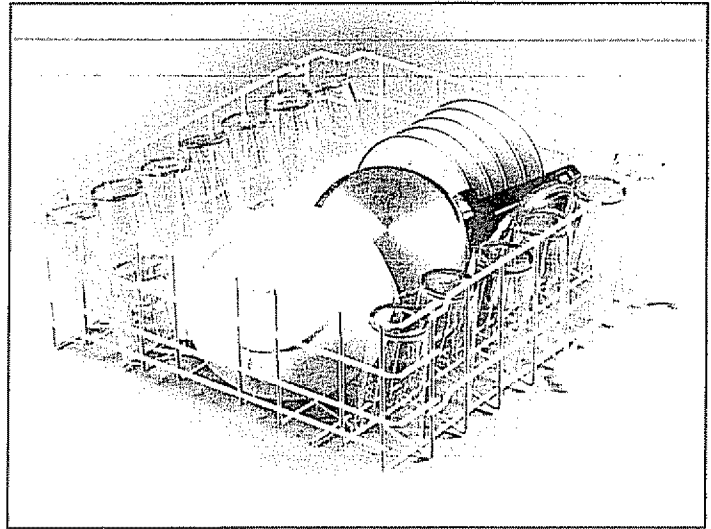
Proper Loading

Upper Rack

- Glassware should not touch other items. Damage may occur.
- Place items in rows **between** prongs. Putting items over prongs could cause breakage and wear of vinyl rack coating.
- Load plastic items in upper rack only. They may melt in lower rack. Wash only items marked "Dishwasher Safe."
- Be sure lightweight items are held firmly in place.
- Load glasses and cups in upper rack only in rows **between** prongs. Breakage may occur if loaded in lower rack.
- Small bowls, pans and other utensils can be placed in upper rack.
- Place open ends face down for cleaning and draining.



18" Models

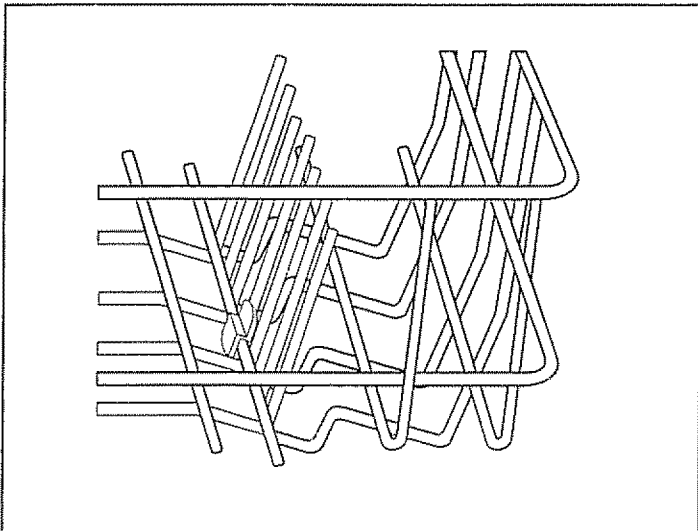


24" Models

Fold Down Fence

Available on some models

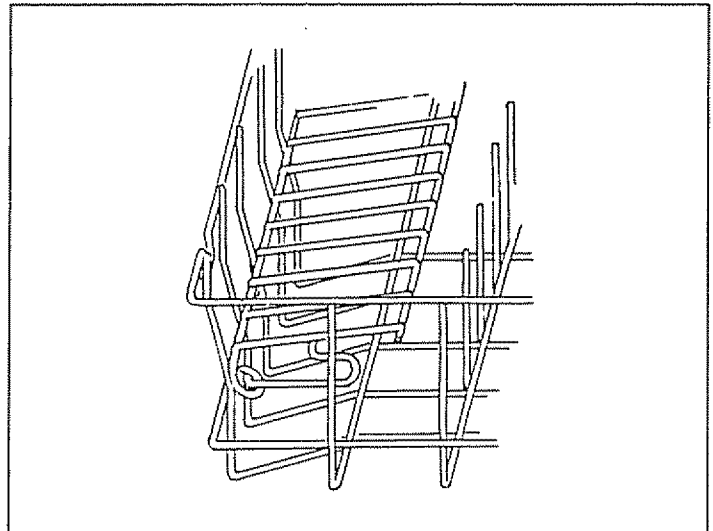
A nylon coated fence in the upper rack can be positioned to allow loading versatility. To load glasses, lift fence and slide toward front of dishwasher into locking position. To load plates and bowls, slide fence toward back of dishwasher and fold down.



Fold Down Shelf

Available on some models

A shelf on the side of the upper rack can be folded down over short items (juice glasses, cups, etc.) for more loading space.



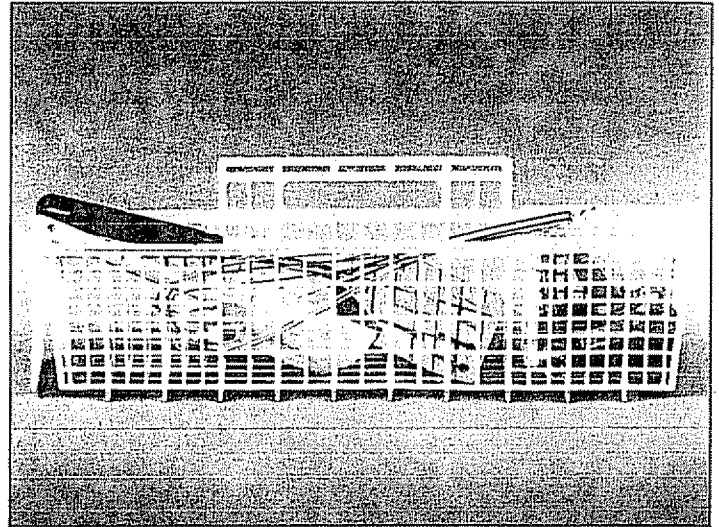
Proper Loading

Utensil Basket

Available on some models.

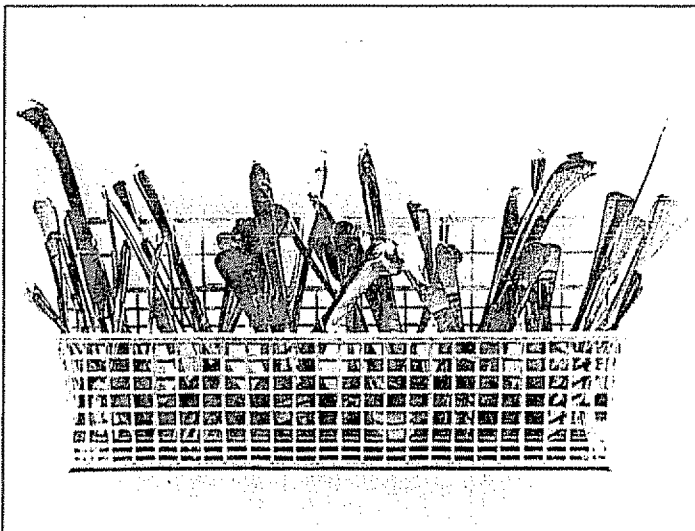
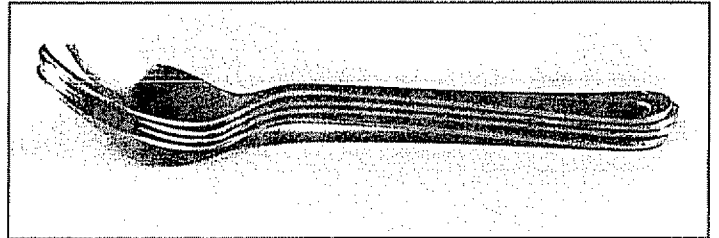
- Lift lids and snap gates flat against sides to load long knives and utensils.
- Close gates at each end to form compartments to hold small items such as baby bottle nipples or measuring spoons. Snap lids shut.

If your dishwasher does not have this basket, it can be ordered from Sears Service Center-Part No. 809105.



Silverware Basket

- Load silverware so items are mixed in each section and do not "nest" together. Water spray cannot clean nested items.
- Be sure no items protrude through holes in basket or extend high enough to stop rotation of spray arms
- Load sharp items with points down.



How to Add an Item During a Cycle

You can add items anytime before the wash portion of the cycle.

- Make sure there is a full cycle yet to be completed.
- Unlatch door to stop cycle.
- Open door and add item.
- Latch door to resume cycle

Detergent Dispenser

Do not add detergent until you are ready to start the cycle. Use fresh granular automatic dishwasher detergent.

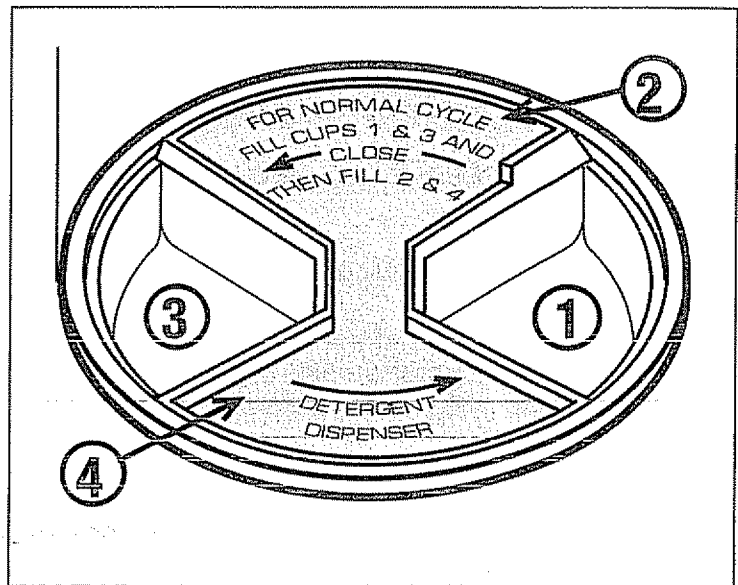
The dispenser will automatically release detergent at the correct times during the cycle.

Light Wash Cycle

1. Fill cups #1 and #3.
2. Turn lid counterclockwise to cover cups #1 and #3 completely.
3. Do not fill open cups #2 and #4.

Normal Wash, Pots Pans, and Water Miser Cycles

1. Fill cups #1 and #3.
2. Turn lid counterclockwise to cover cups #1 and #3 completely.
3. Fill open cups #2 and #4.



IMPORTANT: Always turn lid to cover cups #1 and #3 completely before starting dishwasher. Cups #2 and #4 will be open. For best dishwashing results, use proper amount of detergent according to your water condition. Refer to table shown below.

Cycles	Soft water (0 to 3 grains)	Moderately Hard Water (4 to 8 grains)	Hard Water (9 to 12 grains)	Very Hard Water (over 12 grains)
Light Wash	1 tablespoon in cup #1	Fill cup #1	Fill cups #1 and #3	Detergent alone may not be enough. Water softener recommended
Normal Wash Pots Pans Water Miser	1 tablespoon in cups #1 and #2	Fill cups #1 and #2	Fill all four cups	Detergent alone may not be enough. Water softener recommended.

Rinse Agents

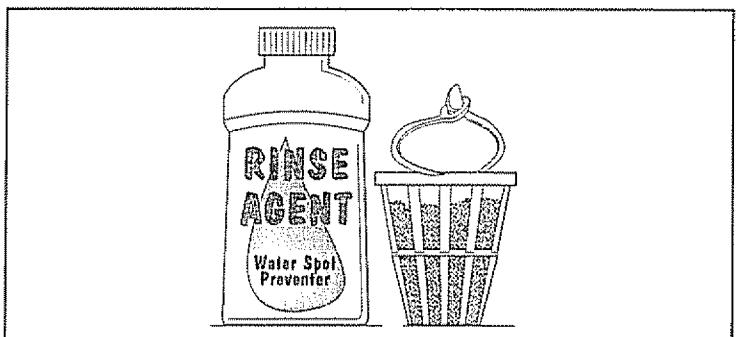
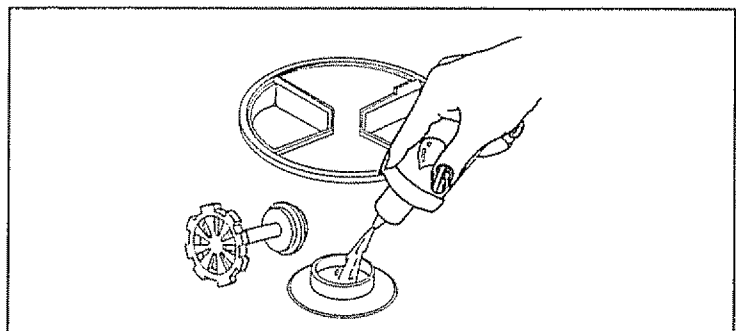
To prevent water spotting and to speed drying, we recommend the use of a rinse agent.

The model you have selected may have a liquid rinse agent dispenser. To fill:

- Turn dispenser cap turn counterclockwise and lift out.
- Pour in rinse agent until liquid touches white cross at bottom of fill opening. Re-insert cap.
- Refill the rinse agent dispenser approximately once a month.

For models without a rinse agent dispenser, you may use the solid form. To use:

- Clip basket of solid rinse agent onto front corner of the upper rack.
- Hang basket **inside** rack.
- Replace immediately when empty.



Portable Dishwasher Information

Important: Always be sure door is latched before moving dishwasher.

The power cord, faucet coupler and hoses are located in a covered compartment on the top back of the dishwasher.

A special adapter (included) must be installed on the faucet before you can connect the dishwasher.

1. Remove adapter from coupler by pressing down on the collar (see Figure B).
2. Unscrew the sink faucet aerator.
3. Check faucet spout to see if threads are inside or outside.
 - If threads are inside, screw adapter onto faucet spout along with washer.
 - If threads are outside, remove threaded bushing from adapter and screw adapter onto faucet spout.

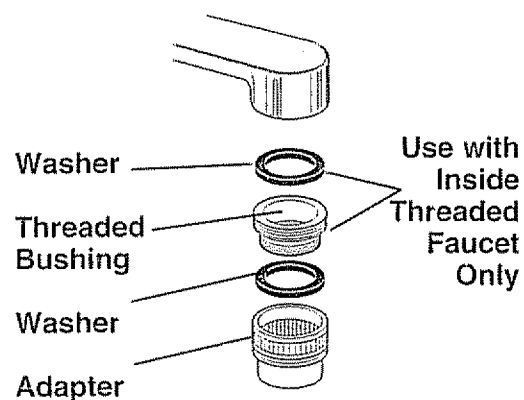


Figure A

Connecting the Portable Dishwasher

1. Run water at faucet until it is hot. Turn faucet off.
2. Pull hoses out of covered compartment.
3. Push collar down and slip faucet connector onto faucet adapter.
4. When connector snaps into place, release collar.
5. Slowly turn hot water all the way on.
6. Plug power cord into grounded outlet.

Disconnecting the Portable Dishwasher

1. When cycle has finished, turn off hot water.
2. Press red button on coupler to release water pressure.
3. Press down on collar to release coupler.
4. Empty remaining water from coupler and return it to covered compartment.
5. Unplug power cord and return it to covered compartment.

CAUTION: A sink spray hose can burst due to constant water pressure while the dishwasher is being used. If installed on the same water line as the dishwasher, disconnect sink spray hose and plug hole.

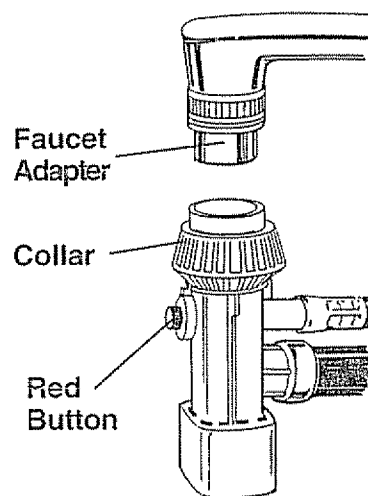


Figure B

Electrical Connection for a Portable Dishwasher

An electrical supply of 120 volts, 60 Hz, AC only, 15 amps is required. For your personal safety, the dishwasher must be grounded. In the event of a malfunction or breakdown, grounding will reduce the risk of electrical shock by providing a path of least resistance for electrical current. This appliance has a power cord with a 3-prong polarized grounding plug. It must be plugged into a mating 3-prong grounding type receptacle (see Figure C), installed and grounded in accordance with the National Electrical Code and local codes and ordinances.

DANGER: Improper connection of the power cord can result in a risk of electrical shock. Check with a qualified electrician if you are in doubt as to whether the appliance is properly grounded. DO NOT modify the plug provided with the dishwasher. If it will not fit the outlet, have a proper outlet installed by a qualified electrician.

- DO NOT use an extension cord.
- DO NOT remove the power cord grounding prong.

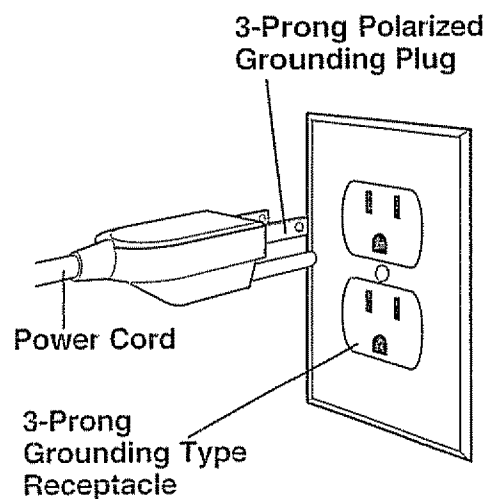


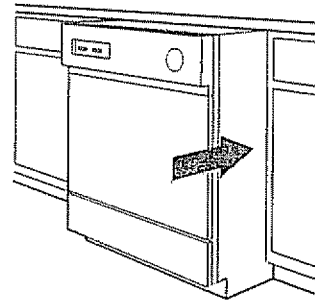
Figure C

Portable Dishwasher Information

To Convert a Portable Model to a Built-In

Your portable dishwasher can be installed under the counter. A conversion kit is required and is available at your local Sears Service Center - Part No 808927 (18" width).

WARNING: DO NOT use the portable water supply hose for permanent installation. It may burst. Complete instructions are in the conversion kit.



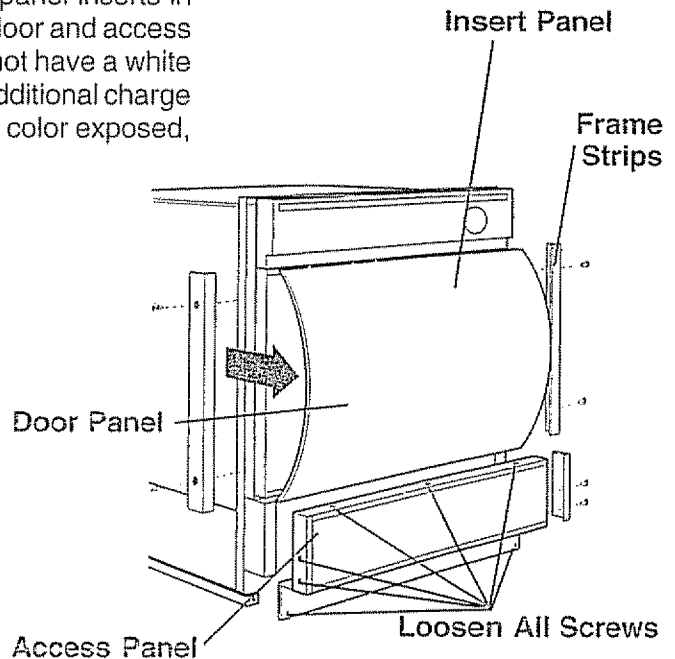
Changing Color Panels

Select models are equipped with reversible door and access panel inserts in almond and black. Some models also come with a white base door and access panel already installed on the dishwasher. If your model does not have a white base door and access panel, you may order both panels at no additional charge with the order card enclosed in your literature pack. To change color exposed, proceed as follows:

WARNING:

- To prevent electrical shock, disconnect electrical power supply to dishwasher before changing panels.
- Handle panels carefully to avoid injury.

1. Remove frame strips on both sides of door panel. Flex insert panel out in middle to clear console panel. Lift insert panel out of bottom frame. Select desired color and reverse procedure to install.
2. Remove frame strip on one side of access panel. Loosen, but do not remove screws in other frame strips.
3. Slide insert panel out of frame. Put color panel of choice to outside and replace panel in frame. Depending upon your model, a white base panel will be exposed, or order one at no additional charge with the enclosed card.
4. Be sure edges of insert panels are under frame strips on opposite side. Press strips tightly against panel before securing screws. Replace frame strips.



Door and Access Panel Dimensions

A panel of up to 1/4 inch thickness may be used in place of furnished color panels. Cut panels of your choice to the following dimensions:

	18" Width	24" Width
Door Panel:	17 ⁷ / ₁₆ " x 17"	23 ¹¹ / ₁₆ " x 17"
Access Panel:	17 ⁷ / ₁₆ " x 6 ¹ / ₂ "	23 ¹¹ / ₁₆ " x 6 ¹ / ₂ "

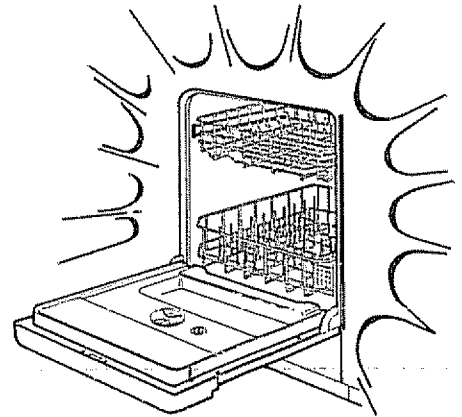
You will need a wood door decorator trim kit which is available at Sears Service Center - Part no. 809977.

NOTE: Door springs will need to be adjusted to balance weight of panels. See the Installation Instructions.

User Maintenance Instructions

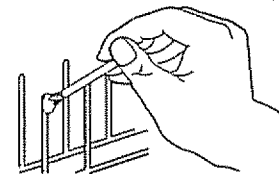
Care of Surfaces

- Wash exterior with mild non-abrasive detergent and water. Rinse and dry.
- Interior is self-cleaning with normal use. If hard water causes lime build-up, clean as follows:
 - Operate dishwasher on Normal Wash cycle. Do not use detergent.
 - After dishwasher begins to fill, open door.
 - Pour 2 cups of white vinegar into empty dishwasher. Do not use detergent.
 - Close door and allow dishwasher to complete cycle.
- If you feel it is necessary to clean interior further, **do not** use cleansers or other abrasive cleaners. General household cleaners such as 409® or Fantastic® are recommended.



Care of Racks

Nicks and cuts in vinyl rack covering can be repaired with a liquid vinyl material which is available at Sears Service Center - Part No. 5300809114.

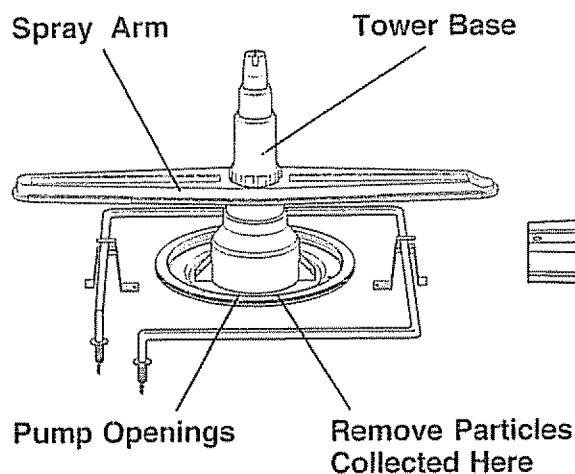


Cleaning the Pump and Spray Arms

Your dishwasher will flush away all normal food soils. However, bones, fruit pits, etc., may collect in openings and should be removed to avoid clogging the drain system.

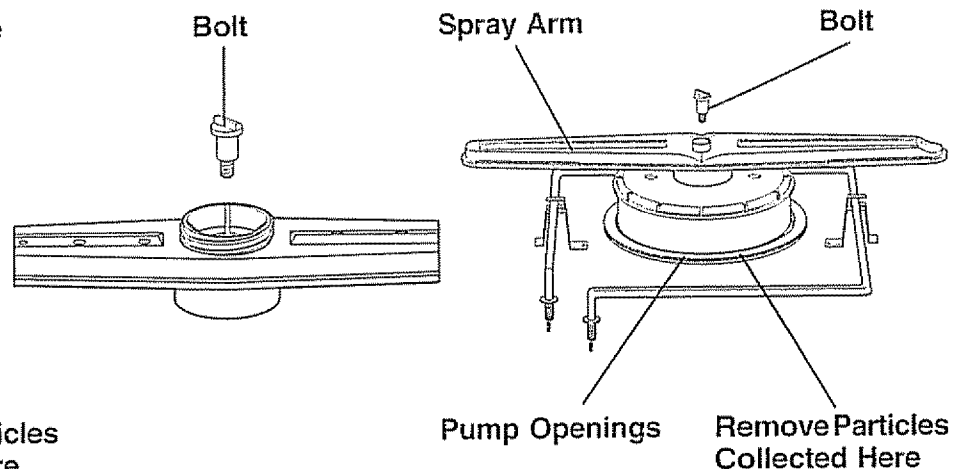
Caution: Allow dishwasher heating element to cool before cleaning.

Tower Models (Select Models)



1. Hold spray arm and turn tower base counterclockwise to unscrew.
2. Lift out tower and remove spray arm bolt. Remove spray arm. Clean out spray holes.
3. Clean in and around pump openings.
4. Replace spray arm on bearing. Replace spray arm bolt. Replace tower base and tighten securely. Spray arm and tower should rotate freely.

Spray Arm Models



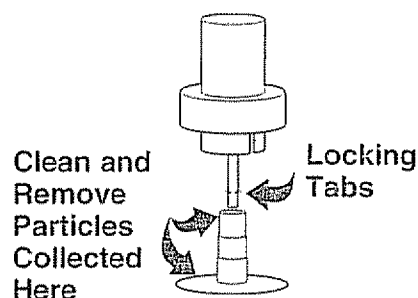
1. Remove plastic bolt.
2. Lift out spray arm. Clean out spray holes.
3. Clean in and around pump openings.
4. Replace spray arm. Tighten bolt securely. Spray arm should rotate freely.

User Maintenance Instructions

Cleaning the Float

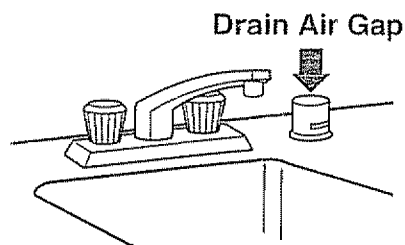
Clean the float to prevent it from sticking. The float controls the water level in the dishwasher; sticking may cause an overflow or no water fill. When removing float to clean, pull up firmly until it snaps out. To replace float, push down until float locks into place. This will activate the float switch.

Important: The small locking tabs are used to hold the float in place during shipping. If these tabs break off during removal, no harm is done. The float will still function properly.



Care of Drain Air Gap

If a drain air gap was installed for your built-in dishwasher, check to make sure it is clean, so the dishwasher will drain properly. Drain air gaps are usually mounted on the countertop and can be inspected by removing the cover. The drain air gap is not part of your dishwasher and is not covered by Sears warranty.

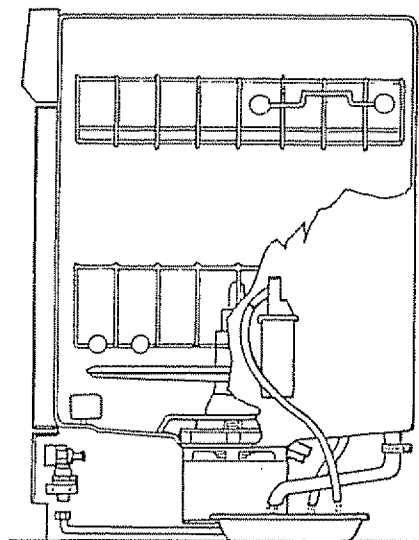


Storage or Seasonal Use

If dishwasher is to remain idle for an extended period of time in...

Freezing Temperatures

- Shut off water and electrical power.
- Remove access panel.
- Disconnect water lines from fill valve. Drain into a flat pan.
- Disconnect hoses from pump. Drain into a flat pan.
- Reconnect water lines to valve and hoses to pump.
- Pour 1 quart of non-toxic, RV (Recreational Vehicle)-type antifreeze into empty dishwasher.



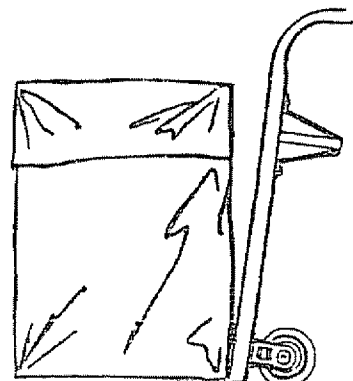
Warm Temperatures

- Pour 1 quart of non-toxic, RV-type antifreeze into empty dishwasher to prevent pump seals from drying out and sticking

Caution: Before using dishwasher again, operate empty machine on Normal Wash cycle with detergent in all cups.

Preparation for Moving

- Disconnect electrical power.
- Tape racks in place.
- Turn off water supply.
- Disconnect water and drain lines
- Close door securely and tape shut.
- Wrap with blankets.
- If using a hand truck, lift dishwasher from side in upright position only.



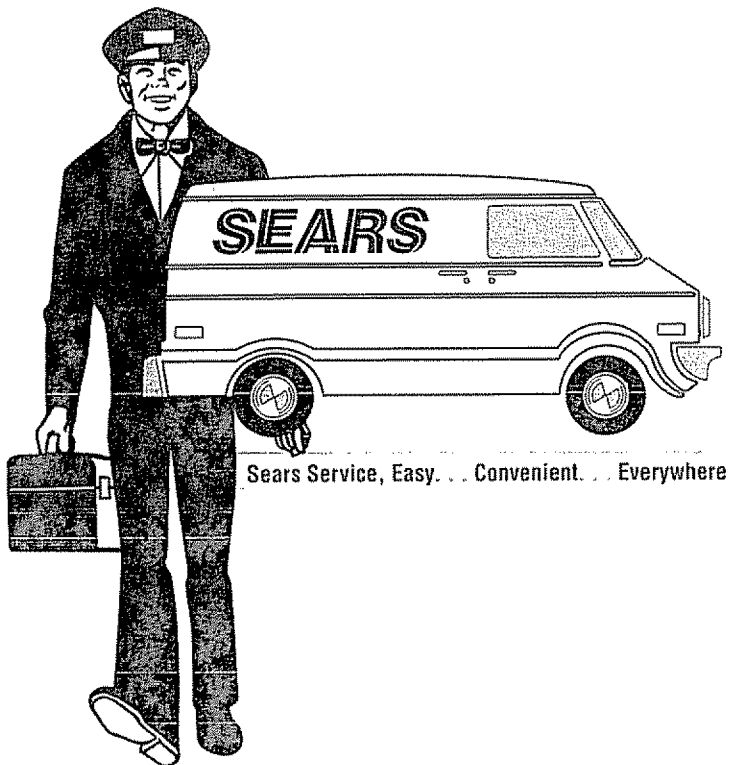
Common Dishwashing Problems and Solutions

PROBLEM	CAUSED BY	SOLUTION
Dishwasher will not start	Dishwasher not receiving electricity.	Check electrical connection, house fuse or circuit breaker
	Dial not in correct position for cycle selected.	Make sure dial is turned far enough, cycle button is fully pushed in and door is latched.
Dishwasher will not fill with water	No water supply	Make sure water supply valve under sink is fully turned on. Clean float.
	Water inlet valve clogged.	Check water valve supply line - may be clogged with sediment. Clean out.
Dishwasher leaks	Dishwasher not level.	Level dishwasher as described in Installation Instructions for built-in dishwashers. Do not place dishwasher on carpet.
	Too much sudsing	Improper detergent or improper amount used. Refer to table on page 9. Use fresh automatic dishwasher detergent only or try a different brand. If hand dishwashing detergent is used by mistake, pour one measuring cup of vegetable oil in bottom of tub and run dishwasher through a complete Normal Wash cycle with recommended amount of automatic dishwasher detergent.
	Float sticking.	Clean float.
Dishes not clean.	Water is not hot	Raise water heater thermostat to 60°C(140°F), if necessary. Use Water Heat option, if available. Do not use dishwasher during or right after other heavy hot water use (bathing, laundry)
	Improper loading.	Make sure dishes are loaded so spray reaches all surfaces and items drain properly. Do not overload. Do not nest items.
	Spray arms not turning freely	Be sure a utensil has not blocked spray arm
	Household water pressure too low	If water pressure is low, do not use water for other purposes (bathing, laundry) while dishwasher is running.
	Spray arm plugged.	Clean out holes in spray arms. See page 12
	Old detergent.	Use only fresh automatic dishwasher detergent. Store tightly closed in a cool, dry place. Discard old, lumpy or separated detergent. Do not fill detergent cups until ready to wash.
Dishwasher odor.	Soiled dishes held too long in dishwasher.	Use Rinse Hold cycle if dishes will not be washed at end of day.
	Vinyl rack coating.	Plastic odor will be gone after several weeks use.
	Soil build-up around float and below door.	Check and clean periodically. See User Maintenance section.
Dishware chipped or broken.	Improper loading.	Do not overload. Load glasses in upper rack only. Place items in rows between prongs. See Proper Loading section for tips.
Dishes and interior of dishwasher brown or yellow.	Iron or manganese in water.	Install an iron or manganese filter in home water supply.
Bronze tarnish on silverplate	Silverplate worn off exposing base metal-takes on bronze hue	Remove tarnish with silver polish. Replate silver.
Silverware stained	Undissolved detergent contacting wet silverware	Avoid spilling dry detergent on wet silverware. Clean with silver polish.
	Acidic or salty food soils.	Use Rinse Hold cycle. Certain foods left on silverware for extended periods of time may cause pitting.
Detergent cup does not open	Detergent cup lid positioned wrong at start of cycle	Use detergent dispenser instructions

Common Dishwashing Problems and Solutions

PROBLEM	CAUSED BY	SOLUTION
Spotting and filming	Hard water	Fill detergent cups to capacity. Use dishwasher detergent with highest available phosphorous content. May be necessary to install a water softener.
	Water is not hot	Raise water heater thermostat to 140°F (60°C), if necessary. Use Water Heat option if available.
	Cool Dry selected	Drying without heat may cause some spotting. Select Hot Dry.
	Not enough or poor quality detergent.	Use more automatic dishwasher detergent. Use detergent with highest available phosphorous content, especially if you have hard water.
	Old detergent	Use only fresh granular automatic dishwasher detergent. Store tightly closed in a cool dry place. Discard old lumpy or separated detergent. Do not fill detergent cups until ready to wash.
No rinse agent	No rinse agent	Refill rinse agent dispenser approximately once a month or replace solid form rinse agent basket when empty. NOTE: To remove spots or film from dishes: 1. Load dishware into dishwasher (no metal items) 2. Put 2 cups white vinegar in a container on lower rack 3. Run dishwasher through a complete Normal Wash cycle. Vinegar will splash out during washing.
Etching-permanent filming which cannot be removed	Too much detergent in soft water.	Reduce amount of dishwasher detergent. Use detergent with lower phosphorous content.
	Improper loading	Make sure dishes and glassware are loaded properly to permit water spray to rinse all surfaces. Do not overload.
Dishes not dry	Water is not hot	Raise water heater thermostat to 140°F (60°C), if necessary.
	No rinse agent	Refill liquid rinse agent dispenser approximately once a month or replace solid form rinse agent basket when empty.
	Cool Dry selected	Select Hot Dry for better drying.
	Improper loading	Load dishes so items drain properly.
Cycle takes too long	Water Heat option selected (if available)	Heating water takes approximately one minute for each degree of temperature rise. Times given in cycle description do not include water heating time.
Water left in bottom of tub	Normal amount of water	It is normal for a small amount of clean water to remain in bottom of tub after each cycle.
	Drain hose loop too low	Drain hose should have approximately 32 inches high loop from floor.
	Drain hose kinked	Reposition drain hose to eliminate kink.
	Drain air gap blocked	Clean the drain air gap. See User Maintenance Instructions.
	Check valve not installed in drain hose	See Installation Instructions for check valve information.
Black marks on dishes	Metal utensils rubbing against dishes during wash.	Load metal utensils so they do not rub against dishes. Black marks may be removed with mild abrasive cleanser and plastic scouring pad.
Film build-up on lower front	Some detergent did not dissolve	Use fresh, automatic dishwasher detergent. Use detergent with highest available phosphorous content, especially if you have hard water. Raise water heater thermostat to 140°F (60°C), if necessary. Run water at sink until hot before starting dishwasher and use Water Heat option if available. Remove film with dishwasher detergent and warm water.

We Service What We Sell



"We Service What We Sell" is our assurance you can depend on Sears for service . . . and Sears service is nationwide. Your dishwasher has added value when you consider that Sears has service units nationwide, staffed with professional technicians specifically trained on Sears appliances and having part, tools and equipment to insure that we meet our pledge to you . . . "We Service What We Sell."

Sears Maintenance Agreement

Maintain the value of your Kenmore® dishwasher with a Sears Maintenance Agreement. Sears dishwashers are designed, manufactured, and tested for years of dependable operation. Yet, any modern appliance may require service from time to time.

The Sears Maintenance Agreement

- Is your way to buy tomorrow's service at today's price.
- Eliminates repair bills resulting from normal use.
- Allows for as many service calls as required.
- Provides for service by professional Sears-trained technicians.
- Offers an annual preventive maintenance check-up at your request.

This maintenance agreement does not cover original installation, reinstallation, or damage resulting from external causes such as acts of God, abuse, theft, fire, flood, wind, lightning, freezing, power failure, power reduction, etc. Please ask a salesperson to see the agreement for all of the terms and conditions.

Sears Dishwasher Warranty

Full One-Year Warranty on Dishwasher

For one year from the first day of use in your home, Sears will repair, free of charge, defects in material or workmanship which appear in this dishwasher.

Ultra Life™ Tub Models

Full Ten-Year Warranty Against Leaks in the Tub and Inner Door Panel

For ten years from the first day of use in your home, if a leak should occur as a result of failure of the Ultra Life™ tub or inner door panel due to cracking, chipping, or peeling, Sears will replace, free of charge, the tub or inner door panel.

Nylon Coated Rack Models

Limited Five-Year Warranty

For five years from the first day of use in your home, if a leak should occur as a result of failure of the porcelain enamel tub due to rust or corrosion, or if a leak should occur as a result of failure of the polypropylene inner door panel due to cracking, chipping, or peeling, Sears will replace, free of charge, the tub or inner door panel.

Porcelain Tub Models

Limited Ten-Year Warranty Against Leaks

After five years and through ten years, if a leak should occur as a result of failure of the porcelain enamel tub due to rust or corrosion, or if a leak should occur as a result of failure of the polypropylene inner door panel due to cracking, chipping, or peeling, Sears will furnish, free of charge, a replacement tub or inner door panel. You pay for labor.

If the dishwasher is subjected to other than private family use, the above warranty coverage is effective for only 90 days.

Warranty service is available by contacting the NEAREST SEARS SERVICE CENTER/DEPARTMENT in the United States. This warranty applies only while this product is in use in the United States.

This warranty gives you specific legal rights, and you may have other rights which vary from state to state.

SEARS, ROEBUCK and CO., Dept. 731CR-W Sears Tower, Chicago, IL 60684