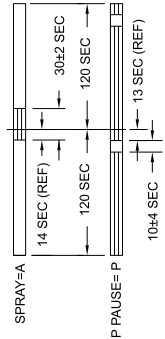
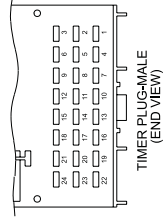


CAUTION: DISCONNECT ELECTRIC CURRENT BEFORE SERVICING

C A M	C I R C U I T	REGULAR				PERM. PRESS.				DELICATE			
		WASH (16 MIN)	PUMP (6 MIN) SPIN	RINSE (4 MIN)	PUMP (10 MIN) SPIN	WASH (12 MIN)	PUMP (6 MIN) SPIN	RINSE (4 MIN)	PUMP (6 MIN) SPIN	WASH (8 MIN)	PUMP (6 MIN) SPIN	RINSE (4 MIN)	PUMP (6 MIN) SPIN
0	5 T 3 B WATER TEMP.												
2	4 T 3 B WASH FILL												
4	7 T 9 B RINSE FILL												
6	21 T 12 B LID SW BYPASS												
8	21 T 12 B PUMP												
10	21 T 21 B SPIN DIR												
12	22 T 21 B AGITATE DIR												
14	22 T 21 B AGITATE DIR												
14	22 T 21 B SPIN DIR												
14	22 T 21 B P.S. BYPASS												
14	22 T 21 B MOTOR CONTROL												
14	22 T 21 B P.S. BYPASS												



DETAIL FOR SPRAY SUBINTERVAL AND PAUSE FOR MOTOR AND PUMP CONTROL CIRCUITS.



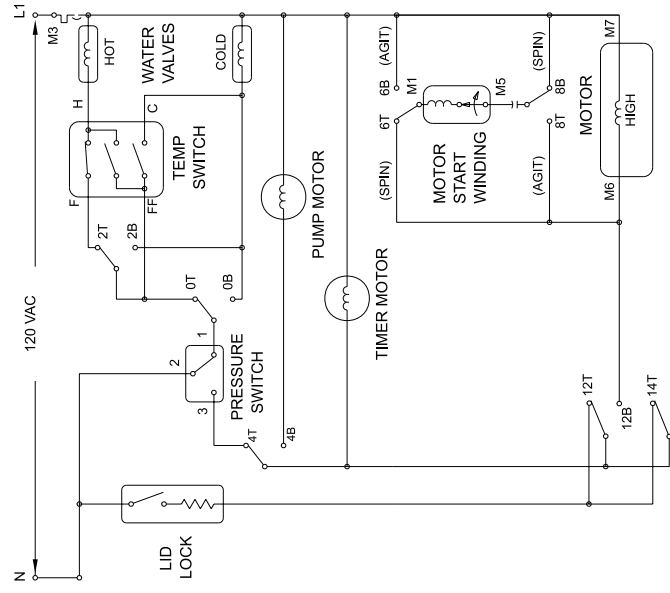
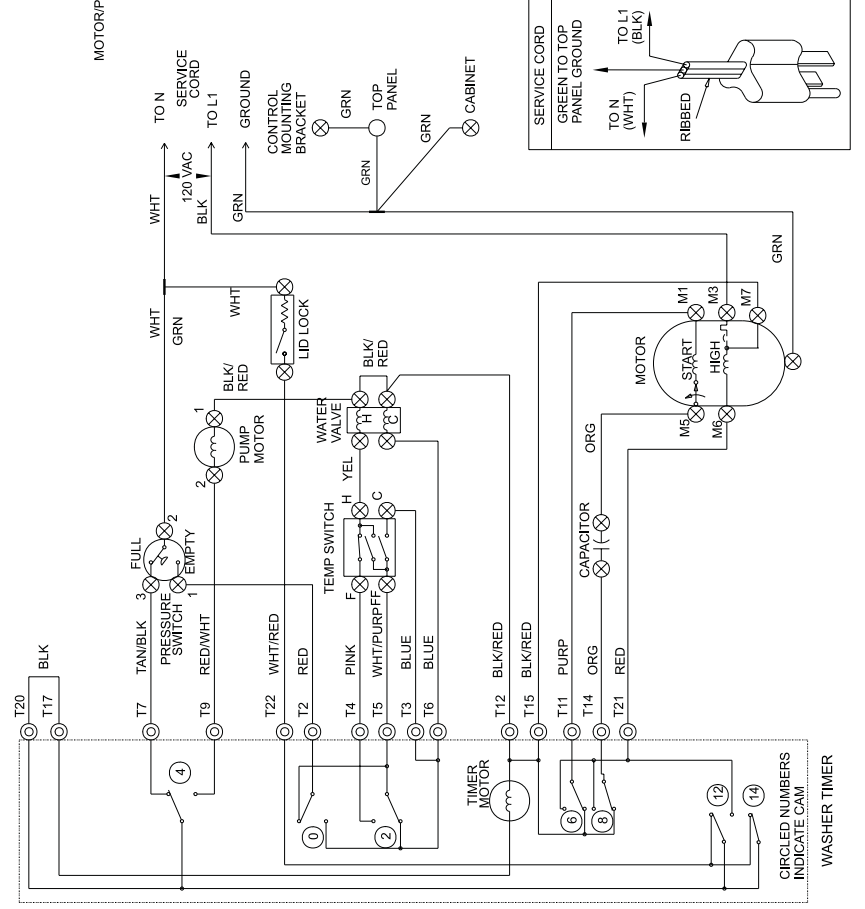
WIRING CODES

- ⊙ PLUG IN TIMER TERMINAL
- ⊗ QUICK DISCONNECT TERMINAL
- SCREW TERMINAL CONNECTION
- NO CONNECTION
- ⊕ MOTOR SWITCH
- ⊞ SPLICE
- ⊞ MOTOR PROTECTOR
- ⊞ CHASSIS (CABINET)/GROUND

TEMPERATURE SWITCH CIRCUIT

	F-H	FF-H	FF-C
WASH/RINSE	X	O	O
HOT/COLD	X	O	X
WARM/COLD	O	O	X
COLD/COLD	O	O	X
WARM/WARM(OPT)	O	X	X

○=OPEN X=CLOSED
(OPT)=OPTIONAL ON SOME MODELS



NOTE:
SUFFIX INDICATES TIMER SWITCH CONTACTS
T= TOP
B= BOTTOM