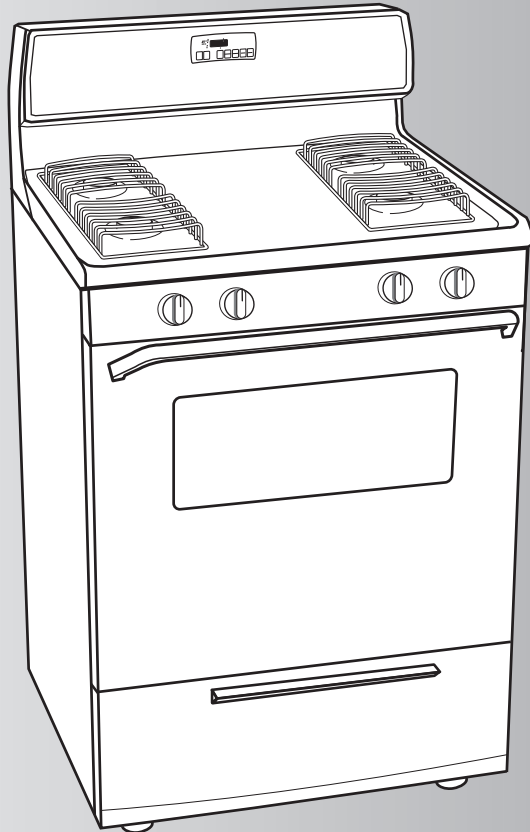


Installation Instructions

30" (76.2 cm) Freestanding Gas Range with standard clean oven



Quick Reference

Table of Contents:

Pages

2	Before you start
3	Product dimensions
3	Cutout dimensions/requirements
4	Electrical requirements
4 - 5	Gas supply requirements
5 - 7	Installation steps
8 - 9	Gas conversions
10	Moving the range
11	If range does not operate
11	If you need assistance/service



⚠ WARNING



Tip Over Hazard

A child or adult can tip the range and be killed.

Connect anti-tip bracket to rear range foot.

Reconnect the anti-tip bracket, if the range is moved.

Failure to follow these instructions can result in death or serious burns to children and adults.

IMPORTANT: Read and save these instructions.

IMPORTANT:

Installer: Leave Installation Instructions with the homeowner.

Homeowner: Keep Installation Instructions for future reference. Save Installation Instructions for local electrical inspector's use.

Write down the model and serial numbers before installing range.

Both numbers are on the model/serial rating plate, located on the oven frame behind the left side of the broiler door.

Model # _____

Serial # _____

www.whirlpool.com

Part No. 98014108

Before you start...

Your safety and the safety of others are very important.

We have provided many important safety messages in this manual and on your appliance. Always read and obey all safety messages.



This is the safety alert symbol.

This symbol alerts you to potential hazards that can kill or hurt you and others.

All safety messages will follow the safety alert symbol and either the word "DANGER" or "WARNING". These words mean:

! DANGER

You can be killed or seriously injured if you don't immediately follow instructions.

! WARNING

You can be killed or seriously injured if you don't follow instructions.

All safety messages will tell you what the potential hazard is, tell you how to reduce the chance of injury, and tell you what can happen if the instructions are not followed.

WARNING: If the information in this manual is not followed exactly, a fire or explosion may result causing property damage, personal injury or death.

— Do not store or use gasoline or other flammable vapors and

liquids in the vicinity of this or any other appliance.

— WHAT TO DO IF YOU SMELL GAS

- Do not try to light any appliance.
 - Do not touch any electrical switch.
 - Do not use any phone in your building.
 - Immediately call your gas supplier from a neighbor's phone. Follow the gas supplier's instructions.
 - If you cannot reach your gas supplier, call the fire department.
- Installation and service must be performed by a qualified installer, service agency or the gas supplier.

Important: Observe all governing codes and ordinances.

Do not obstruct flow of combustion and ventilation air.

This installation must conform with all local codes and ordinances. In the absence of local codes, installation must conform with American National Standard, National Fuel Gas Code ANSI Z223.1 — latest edition*.

It is the customer's responsibility:

- To contact a qualified electrical installer.
- To assure that the electrical installation is adequate and in conformance with National Electrical Code, ANSI/NFPA 70 — latest edition**, and all codes and ordinances.

Cabinet opening dimensions shown must be used. Given dimensions are minimum clearances.

When installing a range under existing cabinets and the installation does not meet the minimum cabinet clearances, install a range hood above the cooktop to avoid burn hazards.

Proper installation is your responsibility. A qualified technician must install this range. Make sure you have everything necessary for correct installation. It is the installer's responsibility to comply with installation clearances specified on the gas information label. The gas information label and model/serial rating plate are located on the frame behind the broiler door.

Mobile home installation

The installation of this range must conform with the Manufactured Home Construction and Safety Standard, Title 24 CFR, Part 3280 [formerly the Federal Standard for Mobile Home Construction and Safety, Title 24, HUD (Part 280)] or, when such standard is not applicable, the Standard for Manufactured Home Installations, ANSI/NCSBCS A225.1 and Manufactured Home Installations, Sites, and Communities ANSI/NFPA 501A**, or with local codes.

In Canada, the installation of this range must conform with the current standards CAN/CSA-Z240 – Latest edition*, or with local codes.

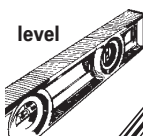
When this range is installed in a mobile home, it must be secured to the floor during transit. Any method of securing the range is adequate as long as it conforms to the standards listed above.

Copies of the standards listed may be obtained from:

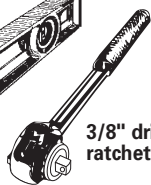
* CSA International
8501 East Pleasant Valley Road
Cleveland, Ohio 44131-5575

** National Fire Protection Association
One Batterymarch Park
Quincy, Massachusetts 02269

Tools and materials needed:



level



3/8" drive ratchet



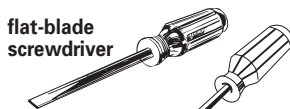
hand or electric drill



wood floor:
1/8" drill bit



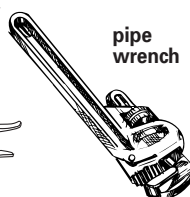
concrete/ceramic floors:
3/16" carbide-tipped masonry
drill bit (Hammer may be
needed for anchors.)



flat-blade
screwdriver



Phillips
screwdriver



pipe
wrench

gloves



tape measure
or ruler



slip-joint
pliers

Materials required:

- gas line shutoff valve
- 1/2" male pipe thread nipple for connection to pressure regulator
- L.P. gas-resistant pipe-joint compound
- CSA design-certified flexible metal appliance connector [4-5 feet (1.2-1.5 m)] or rigid gas supply line as needed
- Insulated pad or 1/4" plywood if range is installed over carpeting

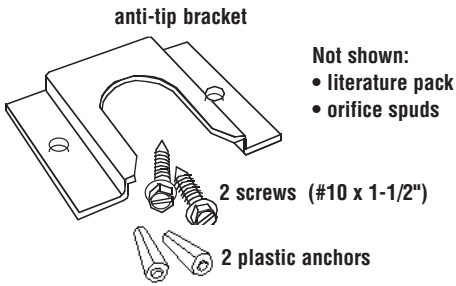
1/2" and 3/8"
combination
wrench



safety
glasses



Parts supplied for installation:

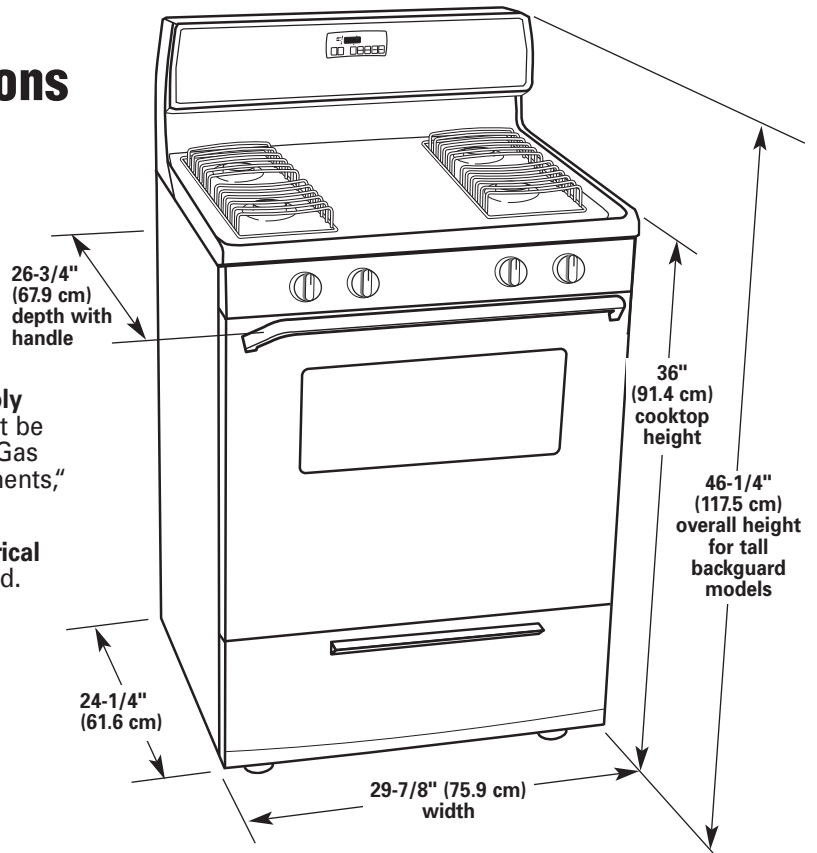


(Bracket must be securely mounted to sub-floor. Thickness of flooring may require longer screws to anchor the bracket to sub-floor.)

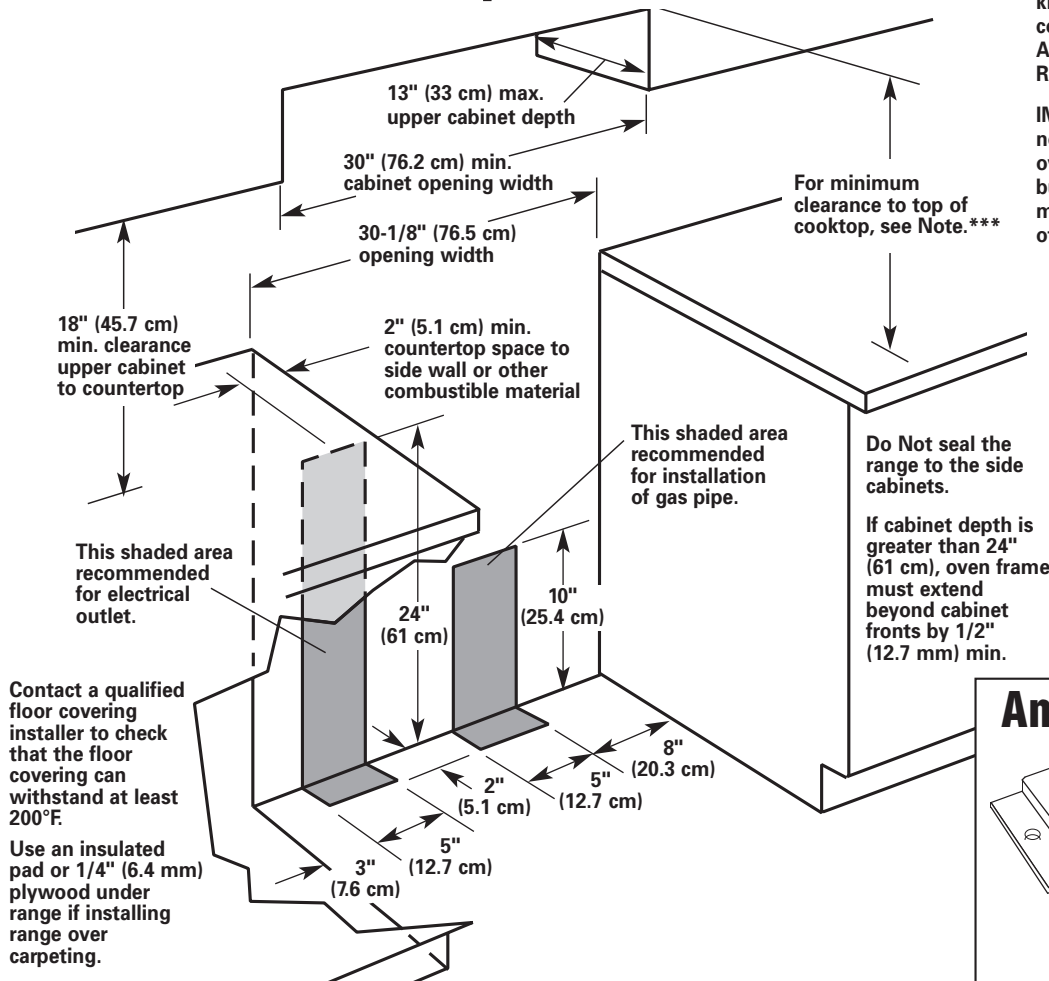
Product dimensions

Proper gas supply connection must be available. See "Gas supply requirements," Page 4.

Grounded electrical outlet is required. See "Electrical requirements," Page 4.



Cutout dimensions/requirements



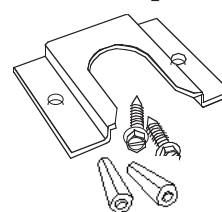
Check location where range will be installed. The range should be located for convenient use in the kitchen. Recessed installations must provide complete enclosure of the sides and rear of range. ALL OPENINGS IN THE WALL OR FLOOR WHERE RANGE IS TO BE INSTALLED MUST BE SEALED.

IMPORTANT: Some cabinet and building materials are not designed to withstand the heat produced by the oven for baking and self-cleaning. Check with your builder or cabinet supplier to make sure that the materials used will not discolor, delaminate or sustain other damage.

*** Note: 24" (61 cm) min. when bottom of wood or metal cabinet is protected by not less than 1/4" (6.4 mm) flame retardant mill-board covered with not less than No. 28 MSG sheet steel, 0.015" (0.4 mm) stainless steel, 0.024" (0.6 mm) aluminum or 0.020" (0.5 mm) copper.

30" (76.2 cm) min. clearance between the top of the cooking platform and the bottom of an unprotected wood or metal cabinet.

Anti-tip bracket:



The floor anti-tip bracket **MUST** be installed. To install the anti-tip bracket shipped with the range, see Page 7 and the anti-tip bracket template.

Electrical requirements

⚠ WARNING



Electrical Shock Hazard
Plug into a grounded 3-prong outlet.
Do not remove ground prong.
Do not use an adapter.
Do not use an extension cord.
Failure to follow these instructions can result in death, fire, or electrical shock.

If codes permit and a separate ground wire is used, it is recommended that a qualified electrician determine that the ground path is adequate.

Do Not ground to a gas pipe.

Check with a qualified electrician if you are not sure range is properly grounded.

A 120-volt, 60-Hz, AC-only, 10-ampere, fused electrical supply is required. A time-delay fuse or circuit breaker is recommended. It is recommended that a separate circuit serving only this appliance be provided.

Electronic ignition systems operate within wide voltage limits, but proper grounding and polarity are necessary. In addition to checking that the outlet is correctly grounded, the outlet must be checked by a qualified electrician to see if it is wired with correct polarity.

Important: This range is equipped with an electronic ignition system that will not operate if plugged into an outlet that is not properly polarized.

A wiring diagram is included on the back of the range.

See "Cabinet dimensions/requirements," Page 3, for recommended location of electrical outlet.

Recommended ground method

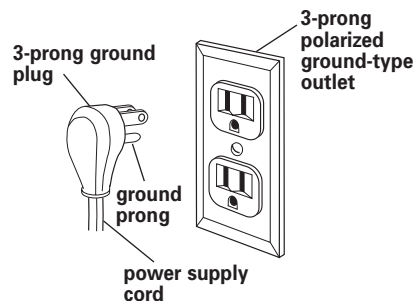
For personal safety, this range is equipped with a power supply cord having a 3-prong ground plug. To minimize possible shock hazard, the cord must be plugged into a mating 3-prong, ground-type outlet, grounded in accordance with the National Electrical Code, ANSI/NFPA 70 — latest edition* or CSA Standard C22.1, Canadian Electrical Code Part 1 — latest edition** and all local codes and ordinances.

If a mating outlet is not available, it is the personal responsibility and obligation of the customer to have a properly polarized and grounded, 3-prong outlet installed by a qualified electrician.

Copies of the standards listed may be obtained from:

* National Fire Protection Association
One Batterymarch Park
Quincy, Massachusetts, 02269

** CSA International
8501 East Pleasant Valley Road
Cleveland, Ohio 44131-5575



Gas supply requirements

⚠ WARNING



Explosion Hazard

Use a new CSA approved gas supply line.

Install a shut-off valve.

Securely tighten all gas connections.

If connected to LP, have a qualified person make sure gas pressure does not exceed 14" water column.

Examples of a qualified person include:

licensed heating personnel,
authorized gas company personnel,
and,
authorized service personnel.

Failure to do so can result in death, explosion, or fire.

Observe all governing codes and ordinances.

This installation must conform with all local codes and ordinances. In the absence of local codes, installation must conform with American National Standard, National Fuel Gas Code ANSI Z223.1 — latest edition* or CAN/CGA-B149 — latest edition** installation codes.

Input ratings shown on the model/serial rating plate are for elevations up to 2,000 feet. For assistance when installing the range at higher elevations, contact your local service company.

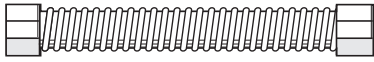
Type of gas: This range is design-certified by CSA International for use with Natural gas or, after proper conversion, for use with L.P. gas. This range is factory set for use with Natural gas. Gas conversion instructions are provided on pages 8-9. The model/serial rating plate located on the frame behind the broiler drawer has information on the type of gas that can be used. If the type of gas listed does not agree with the type of gas available, check with the local gas supplier.

Conversion must be done by a qualified service technician.

Gas supply line: Provide a gas supply line of 3/4" rigid pipe to the range location.

With L.P. gas, piping or tubing size can be 1/2" minimum. A smaller size pipe on longer runs may result in insufficient gas supply. Usually, L.P. gas suppliers determine the size and materials used in the system.

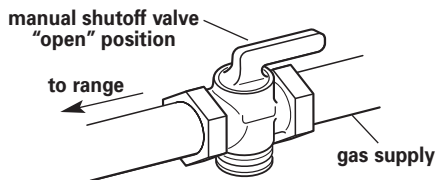
Pipe-joint compounds made for use with L.P. gas must be used on pipe threads only.



Flexible metal appliance connector: If local codes permit, a new CSA design-certified, 1/2" or 3/4" I.D., flexible metal appliance connector is recommended for connecting range to the gas supply line. A 1/2" male pipe thread nipple is needed for connection to pressure regulator connection fitting. **Do Not kink or damage the flexible metal tubing when moving the range.**



Rigid pipe connection: Requires a combination of pipe fittings to obtain an in-line connection to the range. All strains must be removed from the supply and fuel lines so range will be level and in line.



Shutoff valve: The supply line must be equipped with a manual shutoff valve. This valve should be located in the same room as the range and should be in a location that allows ease of opening and closing. The valve is for turning on or shutting off gas to the range. **Do Not block access to shutoff valve.**

Pressure regulator: The gas pressure regulator supplied with this range must be used. The inlet pressure to the regulator should be as follows for proper operation:

NATURAL GAS:

Minimum pressure: 5 inches W.C.
Maximum pressure: 14 inches W.C.

L.P. GAS:

Minimum pressure: 11 inches W.C.
Maximum pressure: 14 inches W.C.

Contact local gas supplier if you are not sure about the inlet pressure.

Line pressure testing above 1/2 psi (3.5 kPa) or 14" W.C. (35.5 cm) (gauge) —

The range and its individual manual shutoff valve must be disconnected from the gas supply piping system during any pressure testing of that system at test pressures greater than 1/2 psig (3.5 kPa).

Line pressure testing at 1/2 psi (3.5 kPa) or 14" W.C. (35.5 cm) (gauge) or lower —

The range must be isolated from the gas supply piping system by closing its individual manual shutoff valve during any pressure testing of that system at test pressures equal to or less than 1/2 psig (3.5 kPa).

Copies of the standards listed may be obtained from:

* CSA International
8501 East Pleasant Valley Road
Cleveland, Ohio 44131-5575

Now start...

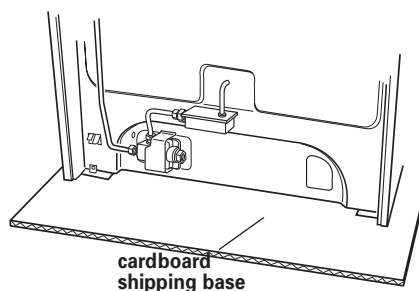
⚠ WARNING

Excessive Weight Hazard

Use two or more people to move and install range.
Failure to do so can result in back or other injury.

1. Put on safety glasses and gloves. Do Not use oven door handle to lift or move the range.

2. Remove oven racks and parts package from inside oven. Remove shipping materials, tape and protective film from range.



3. Keep cardboard shipping base under range to prevent damage to floor covering.

⚠ WARNING



Tip Over Hazard

A child or adult can tip the range and be killed.

Connect anti-tip bracket to rear range foot.

Reconnect the anti-tip bracket, if the range is moved.

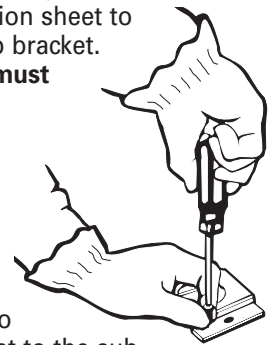
Failure to follow these instructions can result in death or serious burns to children and adults.

Contact a qualified floor covering installer for the best procedure for drilling mounting holes through your type floor covering.

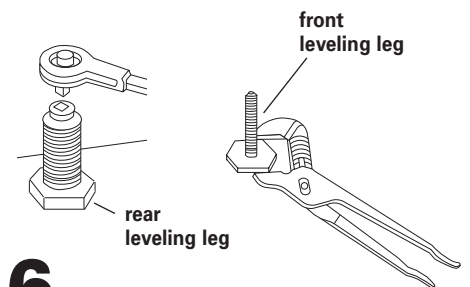
4. Use the anti-tip bracket template/instruction sheet to install the anti-tip bracket.

Anti-tip bracket must be anchored securely to the sub floor.

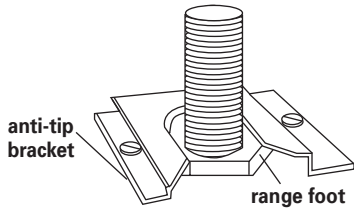
Depending on the thickness of your flooring, longer screws may be needed to anchor the bracket to the sub floor. Longer screws are available from your local hardware store.



5. Check that range is still on cardboard shipping base to protect floor covering. Move range close to final location.



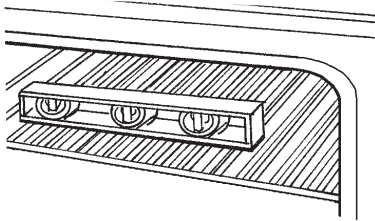
6. Remove cardboard shipping base from under range. Open broiler door. Use a 3/8" drive ratchet to lower rear leveling legs one-half turn. Use slip-joint pliers to lower front leveling legs one-half turn.



7. Making sure the anti-tip bracket is installed:

- Look for the anti-tip bracket securely attached to floor.
- Slide range back so rear range foot is under anti-tip bracket.

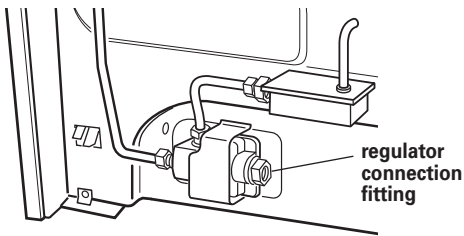
8. If installing the range in a mobile home, you MUST secure the range to the floor. Any method of securing the range is adequate as long as it conforms to the "Manufactured Home Construction and Safety Standard," Page 2.



9. Place rack in oven. Place level on rack, first side to side; then front to back. If range is not level, pull range forward until rear leveling leg is removed from the anti-tip bracket. Use 3/8" drive ratchet and channel lock pliers to adjust leveling legs up or down until range is level. Push range back into position. Check that rear leveling leg is engaged in anti-tip bracket.

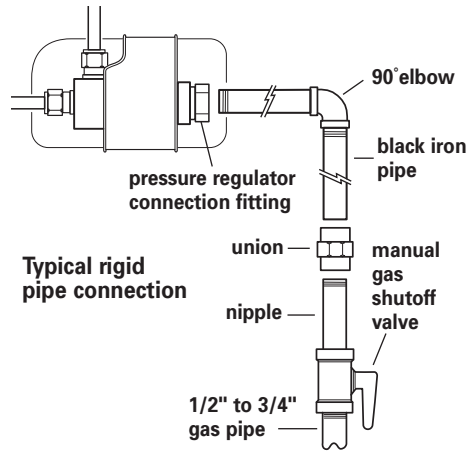
Note: Oven must be level for satisfactory baking conditions.

Gas and electrical connection



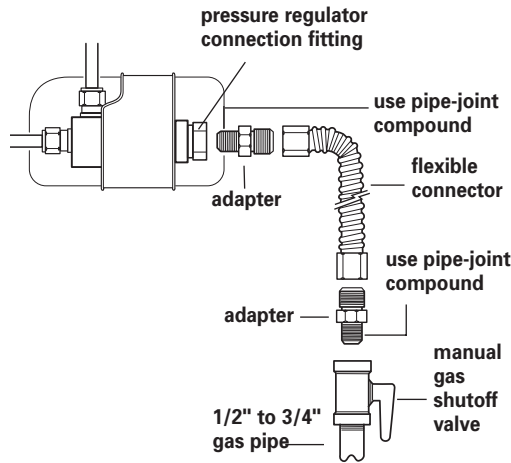
10. Assemble the flexible connector to the gas supply pipe to the pressure regulator connection fitting, using the adapter fittings provided with the flexible connector. Use pipe-joint compound made for use with L.P. gas to seal all pipe thread connections.

All connections must be wrench-tightened.



Typical rigid pipe connection

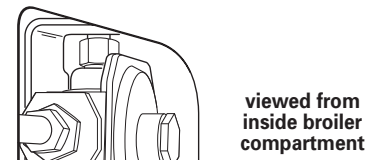
Typical flexible connection



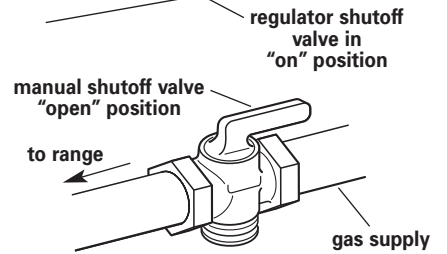
A 1/2" male pipe thread is needed for connection to pressure regulator female pipe threads.

11. If a flexible appliance connector is used, be certain connector is not kinked.

12. Check that all control knobs are in the "OFF" position.



viewed from inside broiler compartment



13. Check that range regulator shutoff valve is in the "on" position. Open the manual shutoff valve in the gas supply line.

14. Test all connections by brushing on an approved non-corrosive leak-detection solution. Bubbles will show a leak. If a leak appears, shut off gas supply valve and tighten connections. Then check connections again. **Never test for gas leaks with a match or other flame.** Clean all leak-detection solution from gas connections. Close broiler door.

15. Place burners, burner caps and grates on cooktop.

16. Plug power supply cord into grounded electrical outlet.

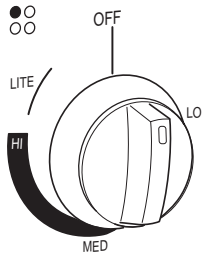
Check operation

Electronic ignition system

Cooktop and oven burners use electronic ignitors in place of standing pilots. When a cooktop control knob is turned to the "LITE" position, the system creates a spark to light the burner. This sparking continues until the control knob is turned to the desired setting.

When the oven control is turned to the desired setting, a hot surface ignitor heats to a bright orange and ignites the gas. No sparking occurs. The glow bar remains on while the burner operates.

Check operation of cooktop



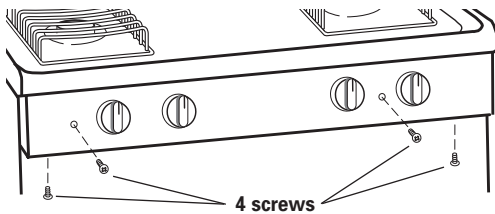
17. Push in and turn each surface unit control knob to “LITE” position. The flame should light within 4 seconds. Turn control knob to “HI” position after burner lights.

Check each cooktop burner for proper flame.

The small inner cone should have a very distinct blue flame 1/4" to 1/2" long. The outer cone is not as distinct as the inner cone. If the flame is noisy or blowing, it is getting too much air. If the flame is soft and lazy, it is not getting enough air. Turn each surface burner control knob to “OFF” position. Adjust air shutter if needed.

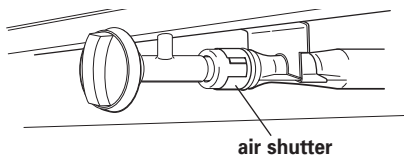


If surface burner air shutters need adjusting:



a. Remove control knobs and 4 screws that attach control panel to range cabinet. Pull control panel forward to remove. Set panel, screws and knobs aside.

b. Replace control knob for burner to be adjusted. Push knob in and turn to “LITE” position. When burner lights, turn to “HI” position.



c. Adjust the air shutter by hand as needed. Close the air shutter to decrease the amount of air to the flame. Open the air shutter to increase the amount of air to the flame.

Adjust the air shutter to the widest opening that will not cause the flame to lift or blow off the burner.

Turn burner off and remove knob.

As needed, adjust other air shutters.

18. Replace control panel and tighten screws securely. Replace control knobs.

19. Push in and turn each cooktop control knob from “LITE” to “LO” setting quickly. The low flame should be a minimum, steady blue flame. If flame needs to be adjusted, turn control knob to the “LO” setting and remove control knob. Insert a small flat-blade screwdriver into the valve stem. Turn the valve screw to obtain the smallest flame that will not go out when the control of a cold burner is quickly turned from “HI” to “LO”. Repeat for other cooktop burners as needed.

Check operation of oven/broil burner

20. Open broiler door.

- Press the “BAKE” pad.
 - The “BAKE” indicator will light.
 - “350” will appear in the display.
- Press the START/ENTER pad.
 - The “TEMP” and “ON” indicators will appear.
 - The display will show the automatic countdown time (10 minutes) needed to preheat the oven for selected temperature.
 - The oven burner should light in 20-40 seconds; this delay is normal.** The oven valve requires a certain time before it will open and allow gas to flow.

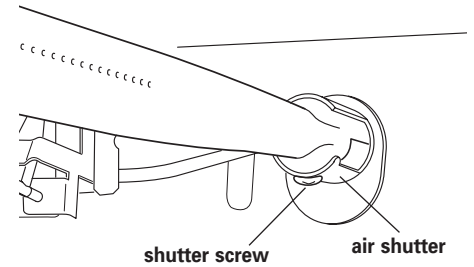
The oven burner will burn until oven temperature has reached 350°F. After 20-40 seconds, the oven burner will begin to cycle on and off to maintain the 350°F temperature.

Broil burner and oven burner are the same burner. Check the broil function as follows:

- Press the “BROIL” pad.
 - “525” will appear in the display.
 - The “BROIL” indicator will light.
- Press the “START/ENTER” pad.
 - “TEMP” and “ON” indicators will light.
 - The oven burner should light in 20-40 seconds; this delay is normal.** The oven valve requires a certain time before it will open and allow gas to flow.

To avoid damaging the hot surface ignitor, do Not insert any object into the openings of the protective shield that surrounds the ignitor or clean that area.

21. Check the oven burner for proper flame. The flame should be 1/2" long, with inner cone of bluish-green, and outer mantle of dark blue, and should be clean and soft in character. No yellow tips (not enough air), blowing or lifting (too much air) of flame should occur.



If oven flame needs adjusting:

- Turn the oven off.
- Wait for the oven burner to cool down.
- Locate the air shutter near the rear wall of oven and loosen the shutter screw.
- Adjust the air shutter.
- Turn the oven back on and check for proper flame. If the flame is still not properly adjusted, turn the oven off, wait for the oven burner to cool down and repeat Step “d” until flame is properly adjusted.
- When the flame has been properly adjusted, turn the oven off, wait for the burner to cool down and tighten the shutter screw.

22. Close broiler door. Press the “OFF” pad.

You have just finished installing your new range. To get the most efficient use from your range, read your Use & Care Guide. Keep Installation Instructions and Guide close to range for easy reference. The instructions will make installing the range in another home as easy as the first installation.

Gas conversion

Gas conversions (from Natural gas to L.P. gas; or from L.P. gas to Natural gas) must be done by a qualified installer.

⚠ WARNING

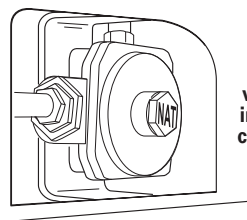


Fire Hazard

Shut off gas supply line valve.
Make all conversions before turning gas supply valve back on.
Failure to follow these instructions can result in explosion, fire or other injury.

L.P. gas conversion

1. Complete installation Steps 1-9, Pages 5-6, before converting cooktop to L.P. gas. Check that the manual shutoff valve in the gas supply line has been turned off.

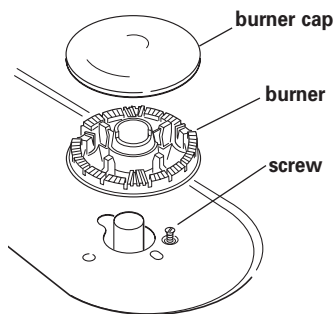
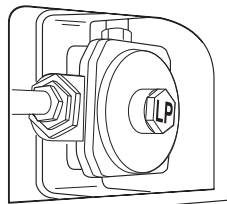


viewed from inside broiler compartment

2. Open broiler drawer and remove broiler pan. The pressure regulator is located in the back right hand corner of the broiler compartment.

DO NOT REMOVE THE PRESSURE REGULATOR.

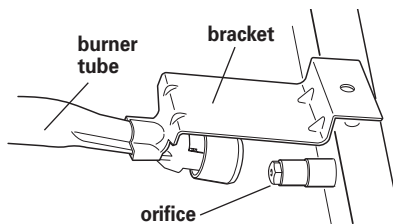
3. Pressure regulator: Remove the cap from the pressure regulator. Turn the cap over so that LP is visible. Replace the cap.



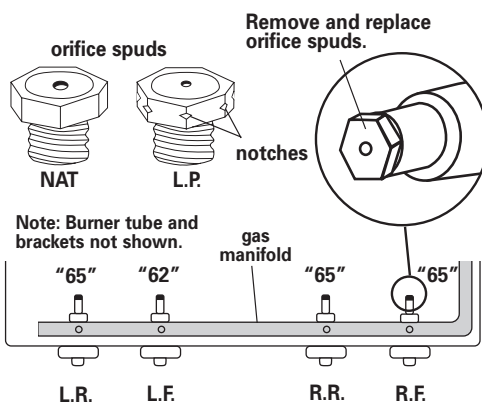
4. Remove burner grates, burner caps, burners and screws. Lift cooktop. **NOTE:** There is no cooktop support rod.

5. Cooktop burners:

- Check that all control knobs are in the OFF position and remove the knobs.
- Remove the control panel. (See Step 17a, Page 7.)



c. Lift front of bracket and push tube and bracket assembly back off orifice.



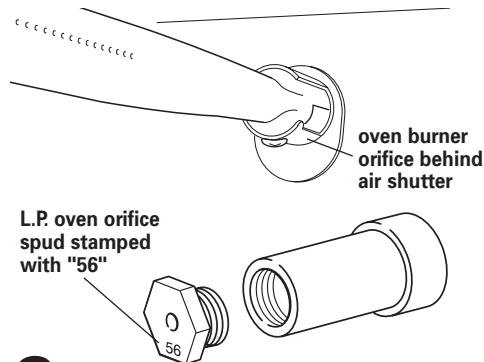
d. Locate L.P. gas orifice spuds for top burners in literature package included with the range. Three L.P. gas spuds are stamped “65” and one “62”. Remove Natural gas orifice spuds using a 3/8” combination wrench. Install L.P. gas orifice spuds in locations shown to replace the Natural gas orifice spuds. **NOTE:** Depending on model, the range cooktop may be equipped with 4 standard burners or 3 standard burners and 1 power burner. Spud size/location remain the same.

Place Natural gas orifice spuds in plastic parts bag for future use and keep with literature package.

Reinstall burner tube and bracket assemblies.

e. Lower cooktop. Reinstall screws to secure burner tubes to cooktop. Reinstall burners, burner caps and burner grates.

Do not reinstall control panel or knobs. They will be reinstalled in Step 10, Page 9.



6. Oven burner:

a. Carefully pull oven burner away from back wall of oven just enough to access the orifice spud located behind the burner’s air shutter.

b. Locate L.P. gas orifice spud stamped “56” in literature package supplied with range.

c. Use a 3/8” combination wrench and remove the natural gas orifice spud. Install the number “56” L.P. gas spud.

Place natural gas oven burner spud in plastic parts bag along with natural gas cooktop burner spuds for future use and keep with literature package.

d. Reinstall the oven burner.

7. Turn manual shutoff valve in gas supply line on. If “Gas and electrical connection” Steps 10-16 on Page 6 were not completed, complete them now.

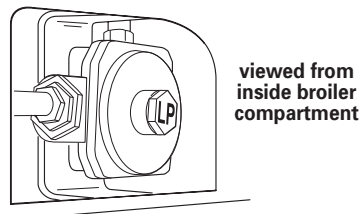
8. Install control knobs. Check for proper flame. The cooktop burner flames should have a small inner cone with a very distinct blue flame 1/4” to 1/2” long. The outer cone is not as distinct as the inner cone. The oven burner flame should be 1/2” long with a bluish-green inner cone and dark blue outer mantle. L.P. gas flames have a slightly yellow tip. If the flames are noisy or blowing, they are getting too much air. If the flames are soft and lazy, they are not getting enough air. If burners need adjusting, see “Check operation” section, Steps 17-22, Page 7.

9. Close the broiler door. Press the "OFF" pad.

10. Remove control knobs. Reinstall the control panel. Securely tighten the 4 screws. Reinstall the control knobs. **Important:** If not done in Step 8, check the "LO" flame adjustment. See "Check operation" section, Step 19, Page 7.

Natural gas conversion

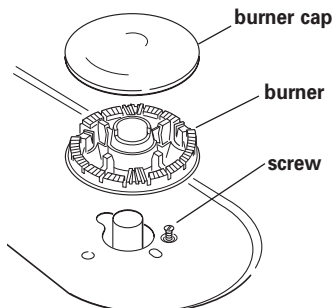
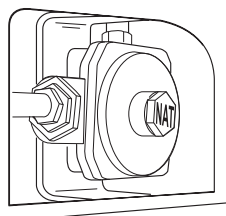
1. Check that the manual shutoff valve in the gas supply line has been turned off.



2. Open broiler drawer and remove broiler pan. The pressure regulator is located in the back right hand corner of the broiler compartment.

DO NOT REMOVE THE PRESSURE REGULATOR.

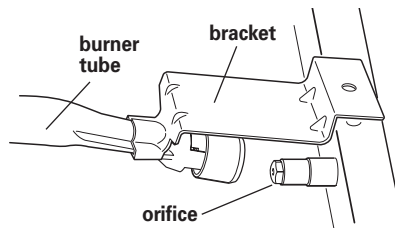
3. **Pressure regulator:** Remove the cap from the pressure regulator. Turn the cap over so that N or NAT is visible. Replace the cap.



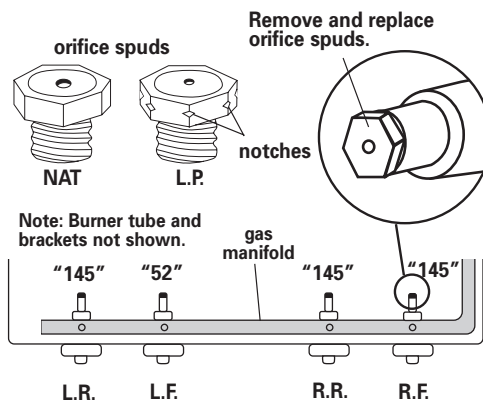
4. Remove burner grates, burner caps, burners and screws. Lift cooktop. **NOTE:** There is no cooktop support rod.

5. Cooktop burners:

- Check that all control knobs are in the OFF position and remove the knobs.
- Remove the control panel. (See Step 17a, Page 7.)



- Lift front of bracket and push tube and bracket assembly back off orifice.



d. Locate Natural gas orifice spuds for top burners in literature package included with the range. Three Natural gas spuds are stamped "145" and one "52." Remove Natural gas orifice spuds using a 3/8" combination wrench. Install Natural gas orifice spuds in locations shown to replace the L.P. gas orifice spuds.

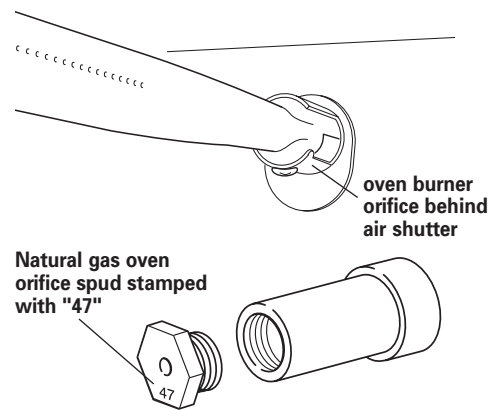
NOTE: Depending on model, the range cooktop may be equipped with 4 standard burners or 3 standard burners and 1 power burner. Spud size/location remain the same.

Place L.P. gas orifice spuds in plastic parts bag for future use and keep with literature package.

Reinstall burner tube and bracket assemblies.

e. Lower cooktop. Reinstall screws to secure burner tubes to cooktop. Reinstall burners, burner caps and burner grates.

Do not reinstall control panel or knobs. They will be reinstalled in Step 10, on Page 9.



6. Oven burner:

- Carefully pull oven burner away from back wall of oven just enough to access the orifice spud located behind the burner's air shutter.
- Locate Natural gas orifice spud stamped "47" in literature package supplied with range.

c. Use a 3/8" combination wrench and remove the L.P. gas orifice spud. Install the number "47" Natural gas spud.

Place L.P. gas oven burner spud in plastic parts bag along with L.P. gas cooktop burner spuds for future use and keep with literature package.

d. Reinstall the oven burner.

7. Turn manual shutoff valve in gas supply line on. If "Gas and electrical connection" Steps 10-16 on Page 6 were not completed, complete them now.

8. Install control knobs. Complete "Check operation" section, Steps 17-22, Page 7. Check for proper flame. Natural gas flames do not have yellow tips.

9. Close the broiler door. Press the "OFF" pad.

10. Remove control knobs. Reinstall the control panel. Securely tighten the 4 screws. Reinstall the control knobs. **Important:** If not done in Step 8, check the "LO" flame adjustment. See "Check operation" section, Step 19, Page 7.

Moving the range:

⚠ WARNING



Tip Over Hazard

A child or adult can tip the range and be killed.

Connect anti-tip bracket to rear range foot.

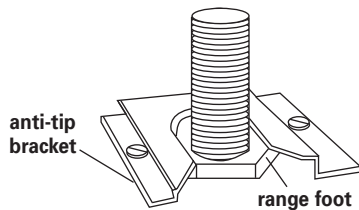
Reconnect the anti-tip bracket, if the range is moved.

Failure to follow these instructions can result in death or serious burns to children and adults.

When moving range, slide range onto cardboard or hardboard to prevent damaging the floor covering.

If removing the range is necessary for cleaning or maintenance:

1. Unplug range or disconnect power.
2. Shut off the gas supply to the range.
3. Disconnect gas.
4. Slide range forward to complete cleaning or maintenance.



5. Making sure the anti-tip bracket is installed:

- Look for the anti-tip bracket securely attached to floor.
 - Slide range back so rear range foot is under anti-tip bracket.
6. Check that range is level.
 7. Reconnect gas line to range and check for leaks.
 8. Plug in range or reconnect power.

For cleaning and maintenance...

If removing the range is necessary for cleaning or maintenance, disconnect the electric supply.

If electrical supply is inaccessible, lift the range slightly at the front and pull the range away from the wall. Pull the range out only as far as necessary to disconnect the electrical supply line.

Remove the range to complete cleaning or maintenance.

Move range back into operating position. Remove drawer. Level the range. Reconnect the electrical supply. Make sure that left rear leveling leg is engaged in the anti-tip bracket.

If range does not operate:

- Check that the circuit breaker is not tripped or the house fuse blown.
- Check that the power supply cord is plugged into the outlet.
- Check that gas line is turned on.
- See Use and Care Guide for troubleshooting list.

Note: Refer to Use and Care Guide for operating and cleaning instructions.

If you need assistance:

If you have questions about operating, cleaning or maintaining your range:

- Refer to **Use and Care Guide**.
- Call the Customer Interaction Center. Check your Use and Care Guide for a toll-free number to call or call the dealer from whom you purchased this appliance. The dealer is listed in the Yellow Pages of your phone directory under "Appliances — Household — Major — Service and Repair."

If you need service:

Maintain the quality built into your range by calling an authorized service company.

To obtain the name and number of the authorized service company:

- Contact the dealer from whom you purchased your range; or
- Look in the Yellow Pages of your telephone directory under "Appliances — Household — Major — Service and Repair;" or
- Call the Customer Interaction Center. The toll-free number is listed in your Use and Care Guide.

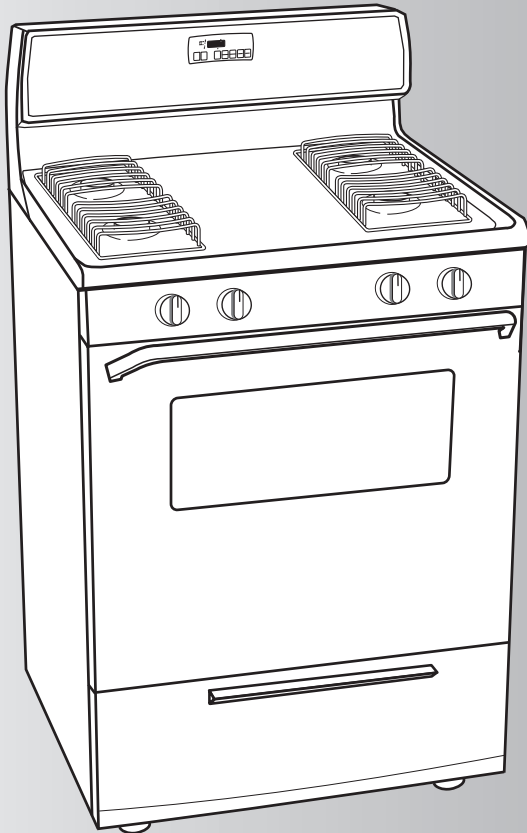
When you call, you will need:

- The range model number.
- The range serial number.

Both numbers are listed on the model/serial rating plate located on the frame behind the broiler door.

Instructions d'installation

Cuisinière à gaz autonome - 76,2 cm (30 po) avec four à nettoyage standard



Consultation rapide Table des matières

Pages

- | | |
|----------------|---|
| 2 | Avant de commencer |
| 3 | Dimensions du produit |
| 4 | Dimensions de l'espace d'installation |
| 5 | Installation électrique |
| 5 - 6 | Alimentation en gaz |
| 6 - 9 | Étapes de l'installation |
| 10 - 11 | Conversions pour l'utilisation d'un autre gaz |
| 12 | Déplacement de la cuisinière |
| 13 | Nettoyage et entretien |
| 13 | Si la cuisinière ne fonctionne pas |
| 13 | Si une assistance est nécessaire |
| 13 | Si vous avez besoin de services de réparation |



⚠ AVERTISSEMENT



Risque de basculement

Un enfant ou un adulte peut faire basculer la cuisinière, et ceci peut causer un décès.

Fixer la bride antibasculement sur le plancher pour qu'elle accroche le pied arrière de la cuisinière.

Réinstaller la bride antibasculement après un déplacement de l'appareil.

Le non-respect de ces instructions peut causer un décès ou de graves brûlures pour un enfant ou un adulte.

IMPORTANT : Lire et conserver ces instructions.

IMPORTANT:

Installateur : Remettre les instructions d'installation au propriétaire.

Propriétaire : Conserver les instructions d'installation pour consultation ultérieure. Conserver les instructions d'installation pour consultation par l'inspecteur local des installations électriques.

Inscrire les numéros de modèle et de série avant d'installer la cuisinière.

Les deux numéros figurent sur la plaque signalétique des numéros de modèle/série située sur le cadre du four derrière la porte.

N° de modèle : _____

N° de série : _____

www.whirlpool.com

N° de pièce 98014108

Avant de commencer....

Votre sécurité et celle des autres est très importante.

Nous donnons de nombreux messages de sécurité importants dans ce manuel, et sur votre appareil ménager. Assurez-vous de toujours lire tous les messages de sécurité et de vous y conformer.



Voici le symbole d'alerte de sécurité.

Ce symbole d'alerte de sécurité vous signale les dangers potentiels de décès et de blessures graves à vous et à d'autres.

Tous les messages de sécurité suivront le symbole d'alerte de sécurité et le mot « DANGER » ou « AVERTISSEMENT ». Ces mots signifient :

! DANGER

Risque possible de décès ou de blessure grave si vous ne suivez pas immédiatement les instructions.

! AVERTISSEMENT

Risque possible de décès ou de blessure grave si vous ne suivez pas les instructions.

Tous les messages de sécurité vous diront quel est le danger potentiel et vous disent comment réduire le risque de blessure et ce qui peut se produire en cas de non-respect des instructions.

AVERTISSEMENT : Si les instructions présentées dans ce manuel ne sont pas respectées, un incendie ou une explosion peut causer des dommages aux biens, une blessure ou un décès.

— Ne pas remiser ou utiliser de l'essence ou un autre produit liquide ou gazeux inflammable à proximité de cet appareil ou de tout autre appareil électroménager.

— **QUE FAIRE SI UNE ODEUR DE GAZ EST PERCEPTIBLE?**

• Ne pas essayer de mettre un appareil en marche.

Important : Observer les dispositions de tous les codes et règlements en vigueur.

Ne pas entraver la circulation d'air de combustion et d'air de ventilation.

L'installation réalisée selon ces instructions doit être conforme aux dispositions des codes et règlements locaux. En l'absence d'un code local l'installation doit être conforme aux dispositions de la plus récente édition de la norme American National Standard, National Fuel Gas Code ANSI Z223.1*, ou de la norme CAN/CGA B149*.

C'est au client qu'incombe la responsabilité :

- de contacter un électricien qualifié pour l'installation.
- de s'assurer que l'installation électrique est adéquate et conforme aux dispositions de l'édition la plus récente du Code national des installations électriques ANSI/NFPA 70** ou de la norme de l'ACNOR C22.1 du Code canadien de l'électricité, 1^{re} partie*, et aux dispositions des codes et règlements locaux.

On doit respecter les dimensions indiquées pour l'espace d'installation entre les placards.

Ces dimensions tiennent compte des dégagements de séparation nécessaires.

Lors de l'installation d'une cuisinière sous des placards muraux existants, s'il n'est pas possible de respecter les valeurs minimales de séparation entre la table de cuisson et les placards, installer une hotte d'extraction au-dessus de la table de cuisson pour éviter les risques de brûlure.

- **Ne toucher aucun commutateur électrique.**
- **N'utiliser aucun téléphone de l'édifice.**
- **Contactez immédiatement le fournisseur de gaz depuis le téléphone d'un voisin. Exécuter les instructions du fournisseur.**
- **Si le fournisseur de gaz n'est pas accessible, appeler les pompiers.**

— **L'installation et les travaux de service doivent être effectués par un électricien qualifié, ou par le personnel d'une agence de service ou du fournisseur de gaz.**

C'est à l'installateur qu'incombe la responsabilité d'une installation correcte. Cette cuisinière doit être installée par un technicien qualifié.

Vérifier que tout le matériel nécessaire pour une installation correcte est disponible. C'est à l'installateur qu'incombe la responsabilité de respecter les dégagements de séparation spécifiés sur l'étiquette de renseignements sur le gaz. On trouve l'étiquette de renseignements sur le gaz et la plaque signalétique sur le châssis, derrière la porte du gril.

Installation dans une résidence mobile

L'installation de la cuisinière doit satisfaire les critères de la norme de construction/sécurité des résidences préfabriquées (Manufactured Home Construction and Safety Standard), titre 24 CFR, partie 3280 [anciennement norme fédérale pour construction/sécurité des résidences mobiles, titre 24 HUD (partie 280)]; ou si cette norme n'est pas applicable, l'installation doit satisfaire les prescriptions de la norme d'installation des résidences préfabriquées (Manufactured Home Installations), ANSI/NCSBCS A225.1 et installation des résidences préfabriquées (Manufactured Home Installations, Sites and Communities) ANSI/NFPA 501A**, ou les prescriptions des codes locaux.

Au Canada l'installation de cette cuisinière doit satisfaire les critères de la plus récente édition de la norme CAN/ACNOR-Z240*** ou des codes locaux en vigueur.

Si cette cuisinière est installée dans une résidence mobile, on doit la fixer au sol durant toute opération de transport.

Toute méthode de fixation de la cuisinière au plancher est adéquate si elle satisfait les prescriptions des normes mentionnées ci-dessus.

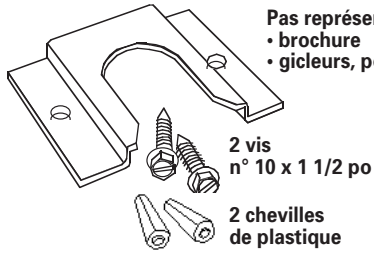
On peut se procurer un exemplaire des normes mentionnées aux adresses suivantes :

* CSA International
8501 East Pleasant Valley Road
Cleveland, Ohio 44131-5575

** National Fire Protection Association
One Batterymarch Park
Quincy, Massachusetts 02269

Pièces fournies

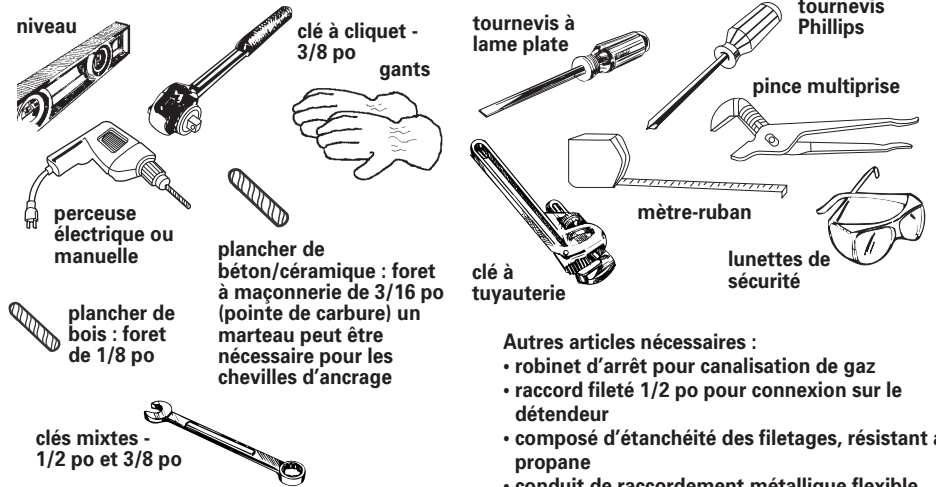
bride antibasculement –



Pas représenté :
• brochure
• gicleurs, pour gaz

Fixer solidement la bride au sous-plancher. L'épaisseur du revêtement de sol peut nécessiter l'emploi de vis plus longues.

Outils nécessaires



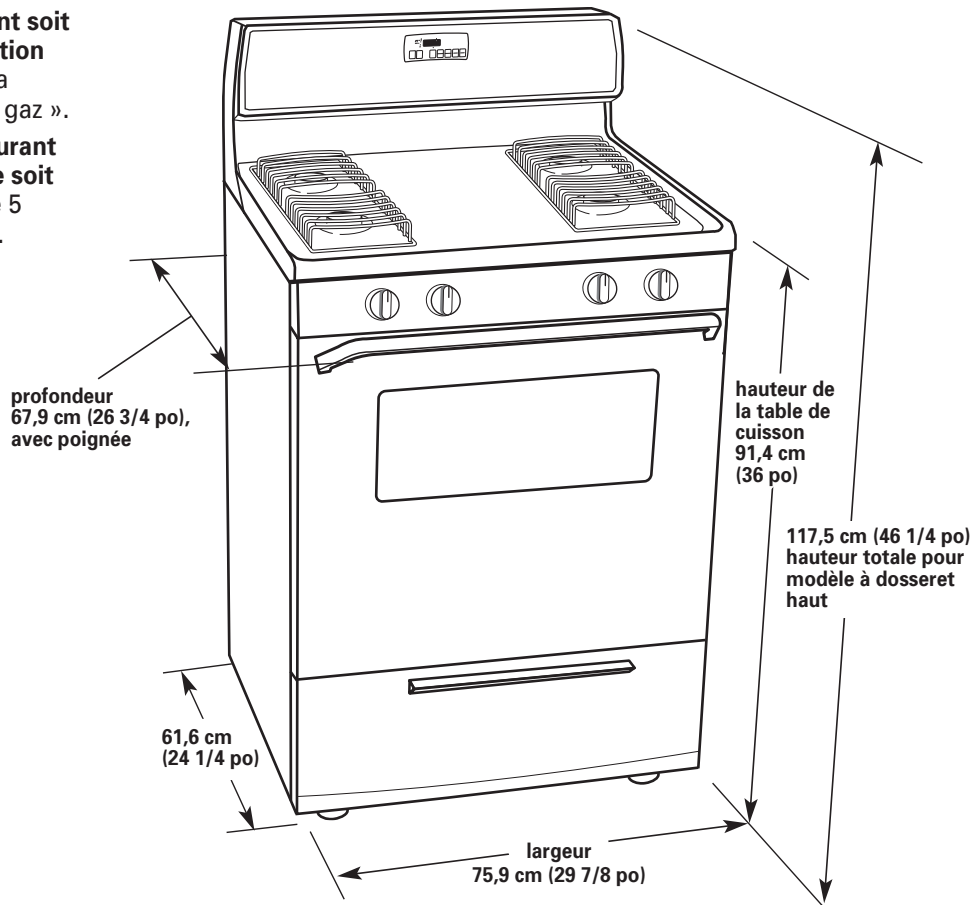
Autres articles nécessaires :

- robinet d'arrêt pour canalisation de gaz
- raccord fileté 1/2 po pour connexion sur le détendeur
- composé d'étanchéité des filetages, résistant au propane
- conduit de raccordement métallique flexible (homologation C.S.A.) ou rigide, de 1,2-1,5 m (4 à 5 pi)
- panneau isolé ou planche de contreplaqué de 1/4 po si la cuisinière doit être installée sur un tapis

Dimensions du produit

Il faut que le raccordement soit possible sur une canalisation de gaz adéquate. Voir à la page 5 « Alimentation en gaz ».

Il faut qu'une prise de courant électrique reliée à la terre soit disponible. Voir à la page 5 « Installation électrique ».

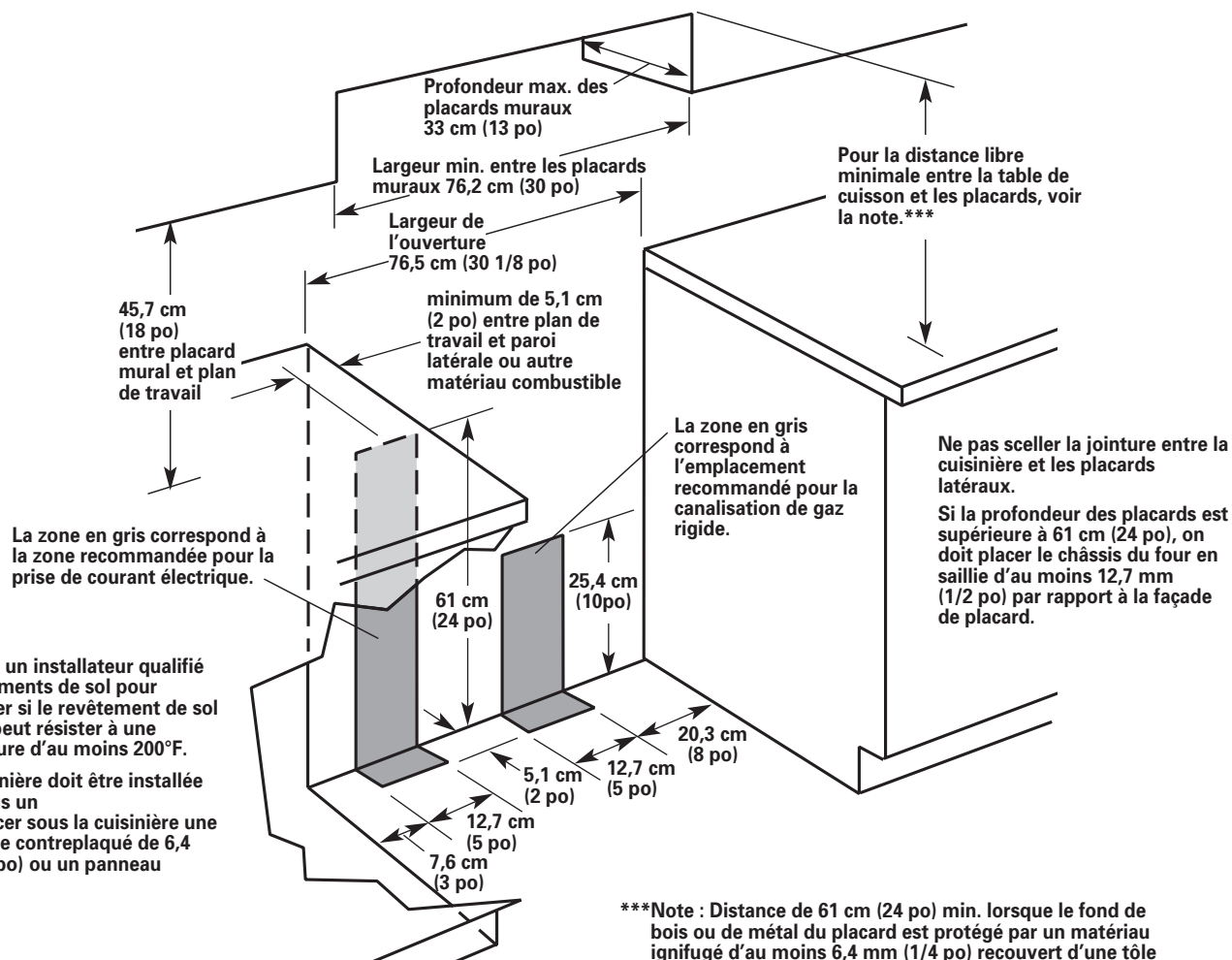


Dimensions de l'espace d'installation

Examiner l'emplacement où la cuisinière sera installée. Choisir un emplacement pratique dans la cuisine. Dans le cas d'un encastrement, on doit former une enceinte complète sur les côtés et à l'arrière de la cuisinière.

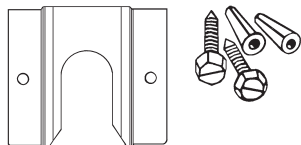
ON DOIT PARFAITEMENT OBTURER/SCELLER TOUTES LES OUVERTURES DANS LE MUR ET LE PLANCHER DANS L'ESPACE D'INSTALLATION DE LA CUISINIÈRE.

IMPORTANT : Certains placards et matériaux de construction ne peuvent résister à la chaleur émise par le four lors des opérations de cuisson au four et autonettoyage. Vérifier auprès du constructeur de la maison ou du fournisseur des placards que les matériaux utilisés ne subiront pas de dommage (changement de couleur, déstratification, etc.)



Bride antibasculement

Il est nécessaire d'installer la bride antibasculement sur le plancher. Pour installer la bride antibasculement fournie, voir la page 7 et la fiche d'instructions/gabarit qui accompagne la bride antibasculement.



Installation électrique

⚠ AVERTISSEMENT



Risque de choc électrique

Brancher l'appareil sur une prise de courant à trois alvéoles reliée à la terre.

Ne pas enlever la broche de liaison à la terre.

Ne pas utiliser un adaptateur.

Le non-respect de ces instructions peut causer un décès, un choc électrique ou un incendie.

Si lorsque les codes le permettent un conducteur distinct de liaison à la terre est utilisé, il est recommandé qu'un électricien qualifié vérifie la qualité de la liaison à la terre.

Ne jamais utiliser une canalisation de gaz pour la liaison électrique à la terre.

Consulter un électricien qualifié en cas de doute au sujet de la liaison à la terre de la cuisinière.

L'appareil doit être alimenté uniquement par un circuit électrique 120 VCA, 60 Hz, protégé par un fusible de 10 A. On recommande l'emploi d'un fusible temporisé ou d'un disjoncteur. On recommande que cet appareil soit alimenté par un circuit indépendant, n'alimentant que cet appareil.

Le système d'allumage électronique fonctionne dans une fourchette de tensions assez large, mais il faut que l'appareil soit convenablement relié à la terre et que la polarité soit respectée. Vérifier que la prise de courant électrique est correctement reliée à la terre. Demander également à un électricien qualifié de vérifier que la polarité de la prise de courant est correcte.

Important : cette cuisinière est dotée d'un système d'allumage électronique;

celui-ci ne peut fonctionner que si l'appareil est branché sur une prise de courant électrique dont la polarité est correcte.

Un schéma de câblage est apposé à l'arrière de la cuisinière.

Pour l'emplacement recommandé pour la prise de courant électrique, voir la page 4 « Dimensions de l'espace d'installation ».

Méthode recommandée de liaison à la terre

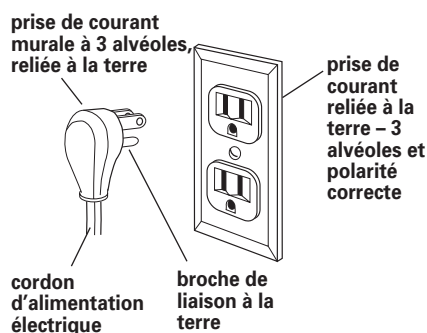
Pour la sécurité des utilisateurs, cet appareil doit être relié à la terre. Cet appareil est équipé d'un cordon d'alimentation doté d'une fiche de branchement à 3 broches, pour liaison à la terre. Pour minimiser le risque de choc électrique, le cordon doit être branché sur une prise de courant murale correspondante, à 3 alvéoles, reliée à la terre, conformément aux dispositions de l'édition la plus récente du Code national des installations électriques ANSI/NFPA 70* ou la norme de l'ACNOR C22.1 du Code canadien de l'électricité 1^{re} partie**, et de tous les codes et règlements locaux en vigueur.

Si une prise d'accouplement n'est pas disponible, le client a la responsabilité et l'obligation personnelles de faire installer par un électricien qualifié une prise bien polarisée, à 3 alvéoles reliée à la terre.

On peut se procurer un exemplaire des normes mentionnées aux adresses suivantes :

* National Fire Protection Association
One Batterymarch Park
Quincy, Massachusetts, 02269

** CSA International
8501 East Pleasant Valley Road
Cleveland, Ohio 44131-5575



Alimentation en gaz

⚠ AVERTISSEMENT



Risque d'explosion

Utiliser un conduit (neuf) de raccordement à la canalisation de gaz approuvé par CSA.

Installer un robinet d'arrêt.

Bien serrer chaque raccord de connexion du circuit de gaz.

Si l'appareil est relié à une canalisation de propane, demander à une personne qualifiée de vérifier que la pression de gaz ne dépasse pas 14 po (colonne d'eau).

(Personnes qualifiées = personnel compétent d'un fournisseur d'équipement de chauffage, d'une compagnie de distribution de gaz, ou d'une entreprise d'entretien agréée).

Le non-respect de ces instructions peut causer un décès, une explosion ou un incendie.

Observer les dispositions de tous les codes et règlements en vigueur.

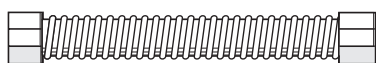
L'installation réalisée selon ces instructions doit être conforme aux dispositions des codes et règlements locaux. En l'absence d'un code local, l'installation doit être conforme aux dispositions de la plus récente édition de la norme* American National Standard, National Fuel Gas Code ANSI Z223.1 ou de la norme* CAN/CGA-B149.

La capacité thermique indiquée sur la plaque signalétique correspond à une altitude inférieure à 610 m (2000 pi). Si l'appareil doit être installé à une altitude plus élevée, consulter la compagnie de service locale.

Type de gaz : La conception de cette cuisinière est homologuée par C.S.A. International pour l'alimentation au gaz naturel, ou pour l'alimentation au propane après une conversion appropriée. Cette cuisinière a été réglée à l'usine pour l'alimentation au gaz naturel. Les instructions concernant la conversion sont présentées aux pages 10-12. Le type de gaz à utiliser est indiqué sur la plaque signalétique - placée sur le châssis derrière le tiroir de remisage, ou sur la porte du gril. Si le type de gaz disponible ne correspond pas à l'indication de la plaque signalétique, consulter le fournisseur de gaz local. **Toute conversion doit être exécutée par un technicien qualifié.**

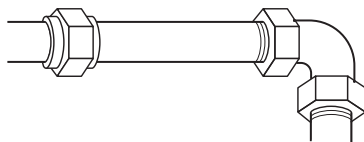
Canalisation d'arrivée de gaz : Acheminer la canalisation de gaz de 3/4 po jusqu'à l'emplacement d'installation de la cuisinière. Pour le propane, utiliser des tuyaux ou tubes d'au moins 1/2 po. Une canalisation de diamètre plus petit ou de plus grande longueur peut ne pas permettre un débit de gaz suffisant. Généralement le fournisseur de propane spécifie la taille et les matériaux à utiliser pour la réalisation du système.

On doit appliquer sur les filetages mâles seulement un **composé d'étanchéité** compatible avec le propane.

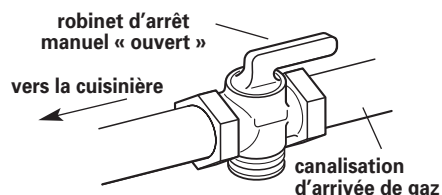


Conduit de raccordement métallique flexible : Si ceci est permis par le code local en vigueur, on recommande de raccorder la cuisinière à la canalisation de gaz au moyen d'un conduit de raccordement métallique flexible

(homologation A.G.A./C.S.A) de diamètre interne 1/2 ou 3/4 po. Un filetage mâle de 1/2 po est nécessaire pour la connexion sur le raccord femelle du détendeur. **Veiller à ne pas écraser, déformer ou endommager le conduit flexible lors d'un déplacement de l'appareil.**



Tuyauterie de gaz rigide : Utiliser une combinaison de raccords de tuyauterie pour réaliser un raccordement dans l'alignement de la cuisinière. Toute tension mécanique doit être éliminée de la canalisation de gaz, de manière que la cuisinière demeure horizontale et alignée.



Robinet d'arrêt : La canalisation d'arrivée de gaz devra comporter un robinet d'arrêt manuel. Ce robinet d'arrêt devrait être situé dans la même pièce que la cuisinière, à un emplacement permettant un accès aisé pour les manœuvres d'ouverture et de fermeture. Le robinet d'arrêt permet d'ouvrir ou de fermer l'alimentation à gaz de l'appareil. **Ne pas entraver l'accès au robinet d'arrêt.**

Détendeur : On doit utiliser le détendeur fourni avec cette cuisinière. La pression du gaz à l'entrée du détendeur doit être comme suit :

GAZ NATUREL :

Pression minimale : 5 po (colonne d'eau)
Pression maximale : 14 po (colonne d'eau)

PROPANE :

Pression minimale : 11 po (colonne d'eau)
Pression maximale : 14 po (colonne d'eau)

En cas d'incertitude quant à la pression d'alimentation, consulter le fournisseur de gaz local.

Test sous pression relative supérieure à 3,5 kPa (1/2 lb/po²) - [35,6 cm (14 po) colonne d'eau]. La cuisinière et son robinet d'arrêt manuel individuel doivent être déconnectés de la canalisation de gaz au cours des tests du circuit d'alimentation à une pression relative supérieure à 3,5 kPa (1/2 lb/po²).

Test sous pression relative de 3,5 kPa (1/2 lb/po²) - [35,6 cm (14 po) colonne d'eau] - ou moins. La cuisinière doit être isolée de la canalisation de gaz par fermeture du robinet d'arrêt manuel individuel au cours des tests du circuit d'alimentation sous une pression égale ou inférieure à 3,5 kPa (1/2 lb/po²).

On peut se procurer des exemplaires des normes indiquées aux adresses suivantes :

* **CSA International**
8501 East Pleasant Valley Road
Cleveland, Ohio 44131-5575

Étapes de l'installation

A Préparation

⚠ AVERTISSEMENT

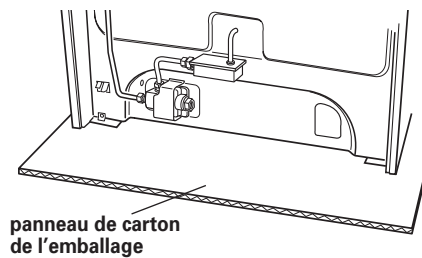
Risque de poids excessif

Utiliser deux ou plus de personnes pour déplacer et installer de la cuisinière

Le non-respect de cette instruction peut causer une blessure au dos ou d'autres blessures.

1. Porter des lunettes de sécurité et des gants de protection. Ne pas prendre prise sur la poignée de la porte pour soulever ou déplacer la cuisinière.

2. Retirer du four les grilles et le paquet de pièces qui y ont été placés. Enlever également matériaux d'emballage, rubans adhésifs et film de protection.



3. Laisser le panneau de carton de l'emballage sous la cuisinière pour protéger le revêtement de sol.

⚠ AVERTISSEMENT



Risque de basculement

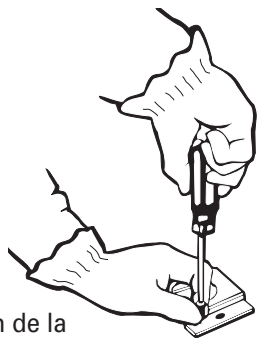
Un enfant ou un adulte peut faire basculer la cuisinière, et ceci peut causer un décès.

Fixer la bride antibasculement sur le plancher pour qu'elle accroche le pied arrière de la cuisinière.

Réinstaller la bride antibasculement après un déplacement de l'appareil.

Le non-respect de ces instructions peut causer un décès ou de graves brûlures pour un enfant ou un adulte.

Consulter un installateur qualifié de revêtements de sol au sujet de la méthode de perçage des trous de montage dans le revêtement de sol.

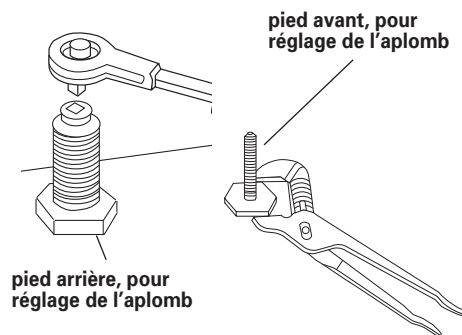


4.

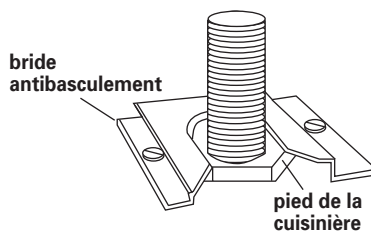
Pour l'installation de la bride antibasculement, voir la fiche d'instructions/gabarit qui accompagne la bride. **On doit solidement ancrer la bride antibasculement au sous-plancher.**

Selon l'épaisseur du revêtement de sol, il peut être nécessaire d'utiliser des vis plus longues pour ancrer la bride au sous-plancher. On peut acheter ces vis plus longues dans une quincaillerie locale.

5. Pour la protection du revêtement de sol, vérifier que la cuisinière repose encore sur la base de carton de l'emballage d'expédition. Déplacer la cuisinière jusqu'à son emplacement d'installation final.



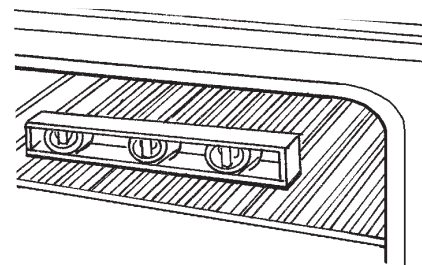
6. Enlever le panneau de carton de l'emballage qui a été laissé sous la cuisinière. Enlever le tiroir de remisage. Avec une clé à cliquet à prise de 9,5 mm (3/8 po), dévisser les pieds arrière d'un demi-tour (abaissement). Avec une pince multiprise, dévisser les pieds avant d'un demi-tour (abaissement).



7. Vérifier que la bride antibasculement est installée :

- Vérifier que la bride antibasculement est solidement fixée au plancher.
- Faire glisser la cuisinière jusqu'à son emplacement final; veiller à ce que le pied arrière s'engage dans la bride antibasculement.

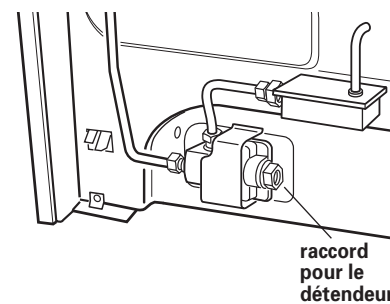
8. Si la cuisinière est installée dans une résidence mobile, on DOIT la fixer au sol. Toute méthode de fixation est adéquate si elle satisfait les prescriptions de la norme de construction/sécurité des résidences préfabriquées (voir page 2).



9. Placer la grille dans le four. Avec un niveau, contrôler l'aplomb transversalement, puis dans le sens avant arrière. Si la cuisinière n'est pas parfaitement d'aplomb, tirer la cuisinière vers l'avant jusqu'à ce que le pied arrière se dégage de la bride antibasculement. Avec une clé à cliquet à prise de 3/8 po et une pince multiprise, ajuster la hauteur des pieds pour établir l'aplomb correct de la cuisinière. Repousser la cuisinière jusqu'à sa position de service. Vérifier que le pied arrière est engagé sous la bride antibasculement.

Note : Il faut que la cuisinière soit d'aplomb pour que les résultats de cuisson au four soient satisfaisants.

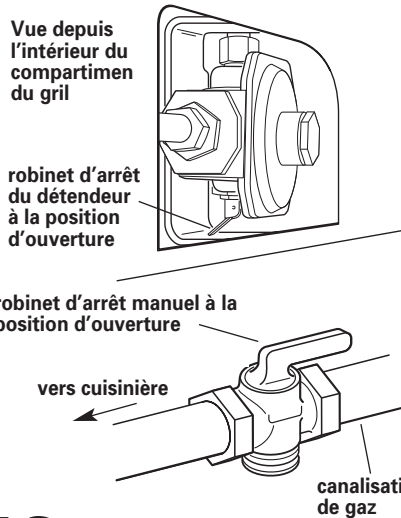
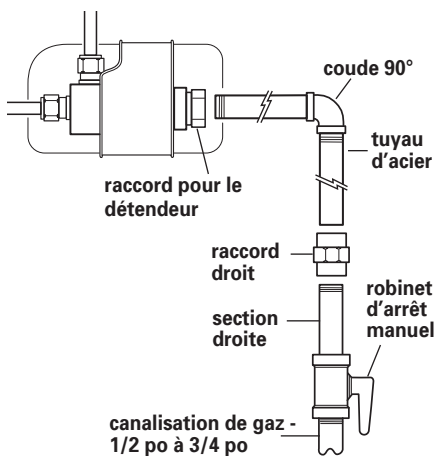
Raccordements au réseau électrique et à la canalisation de gaz



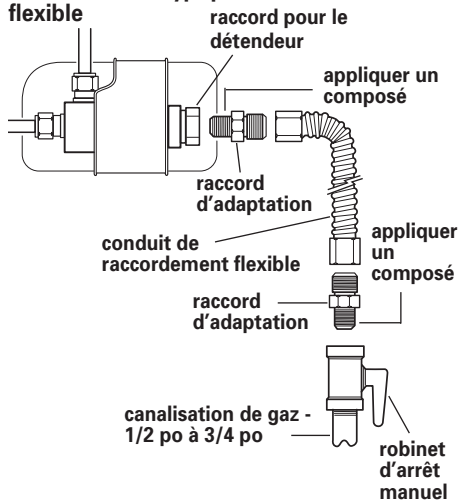
10. Installer le conduit flexible entre le tuyau d'arrivée de gaz et le détendeur; utiliser les raccords fournis avec le conduit de raccordement flexible. Utiliser sur chaque connexion filetée un composé d'étanchéité conçu pour le gaz propane.

Utiliser des clés pour serrer toutes les connexions.

Raccordement typique avec des composants rigides



Raccordement typique avec conduit flexible



Un filetage mâle de 1/2 po est nécessaire pour la connexion sur le raccord femelle du détendeur.

11. Si un conduit de raccordement flexible est utilisé, veiller à ce qu'il ne soit pas déformé ou écrasé.

12. Vérifier que chaque bouton de commande est à la position de fermeture « OFF ».

13. Vérifier que le robinet d'arrêt du détendeur de la cuisinière est à la position d'ouverture « ON ». Ouvrir le robinet d'arrêt manuel de la canalisation de gaz.

14. Pour la recherche des fuites, badigeonner chaque connexion avec une solution non corrosive approuvée. La formation de bulles identifie une fuite. S'il y a une fuite, fermer l'arrivée de gaz et resserrer chaque connexion. Effectuer ensuite un nouveau contrôle. **Ne jamais utiliser une allumette ou autre source de flamme pour rechercher une fuite de gaz.** Éliminer tout résidu de solution sur les connexions. Fermer le tiroir.

15. Placer brûleurs, chapeaux de brûleur et grilles sur la table de cuisson.

16. Brancher le cordon d'alimentation sur une prise de courant reliée à la terre.

Contrôle du fonctionnement

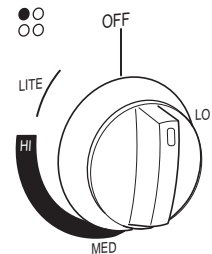
Système d'allumage électronique

Les brûleurs de la table de cuisson et du four comportent un dispositif d'allumage électronique au lieu d'une flamme de veille. Lorsque le bouton de

commande d'un brûleur est à la position « LITE », le système génère des étincelles qui provoquent l'inflammation du gaz qui sort du brûleur. Cette production d'étincelles se poursuit jusqu'à ce que le bouton de commande soit placé à la position de réglage désirée.

Lorsque le bouton de commande du four est placé à la position de réglage désirée, un dispositif d'allumage à surface chaude s'échauffe (jusqu'à une teinte orange vif) et enflamme le gaz. Il n'y a aucune émission d'étincelles. La barre d'allumage demeure incandescente durant le fonctionnement du brûleur.

Contrôle du fonctionnement des brûleurs de la table de cuisson



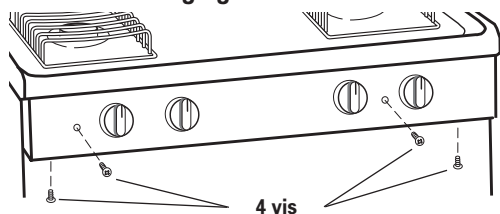
17. Successivement pour le bouton de commande de chaque brûleur, enfoncer/faire tourner le bouton jusqu'à la position « LITE ». Le brûleur devrait s'allumer en moins de 4 secondes. Ramener le bouton à la position « HI » une fois le brûleur allumé.

Contrôler la configuration des flammèches du brûleur.

Le petit cône interne devrait avoir une petite flamme bleue distinctive de 6,4 mm (1/4 po) à 12,7 mm (1/2 po). Le cône externe n'est pas aussi distinct que le cône interne. Si la flamme est bruyante ou souffle, c'est parce que le brûleur reçoit trop d'air. Si la flamme est très vacillante, c'est parce que le brûleur ne reçoit pas assez d'air. Placer le bouton de commande de chaque brûleur à la position de fermeture « OFF ». Si nécessaire, ajuster la position de la virole de réglage.

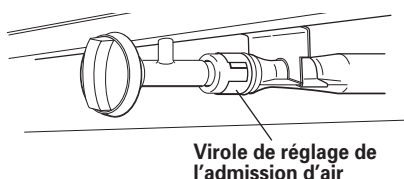


Si un brûleur de la table de cuisson nécessite un réglage



a. Ôter les boutons de commande, et les 4 vis fixant le tableau de commande sur la caisse de la cuisinière. Tirer le panneau vers l'avant pour le retirer. Conserver le panneau, les vis et les boutons.

b. Réinstaller le bouton de commande sur la tige du brûleur à régler. Enfoncer le bouton et faire tourner jusqu'à la position « LITE ». Lorsque le brûleur s'allume, faire tourner le bouton jusqu'à la position « HI » (débit maximum).



c. Ajuster manuellement la position de la virole de réglage de l'admission d'air. Réduire la taille de l'ouverture pour réduire le débit d'air; agrandir la taille de l'ouverture pour augmenter le débit d'air qui alimente la flamme.

Ajuster la virole pour obtenir le plus grand débit qui ne provoquera pas l'extinction du brûleur ou la séparation des flammes.

Fermer le robinet, et ôter le bouton.

Si nécessaire, régler les autres robinets de gaz de la même manière.

18. Réinstaller le tableau de commande et bien serrer les vis. Réinstaller les boutons de commande.

19. Pour chaque brûleur, enfoncer bouton de commande et faire tourner rapidement de la position « LITE » à la position « LO ». La flamme minimale devrait être stable et de teinte bleue. S'il est nécessaire de régler la taille des flammes, faire passer le bouton de réglage à la position « LO » et ôter le bouton. Insérer un petit tournevis à lame plate dans la tige du robinet. Faire tourner la vis de réglage pour obtenir la plus petite flamme qui ne s'éteindra pas

lorsqu'on fait passer rapidement le bouton de réglage d'un brûleur froid de la position « HI » à la position « LO ». Répéter le même processus pour le réglage de chaque brûleur si nécessaire.

Contrôle du fonctionnement du brûleur du four / brûleur du grill

20.

Ouvrir la porte du grill.

- Appuyer sur la touche « BAKE » (cuisson au four).
 - Le témoin « BAKE » (cuisson au four) s'allume.
 - L'afficheur présente « 350 ».
- Appuyer sur la touche « START/ENTER » (mise en marche/entrer).
 - Les témoins « TEMP » et « ON » (marche) apparaissent.
 - L'afficheur présentera le décompte automatique (10 minutes) de la période de préchauffage du four, pour la température sélectionnée.
 - Le brûleur du four devrait s'allumer en 20 à 40 secondes; ce délai d'attente est normal.** L'ouverture de la vanne d'arrivée de gaz prend un certain temps.

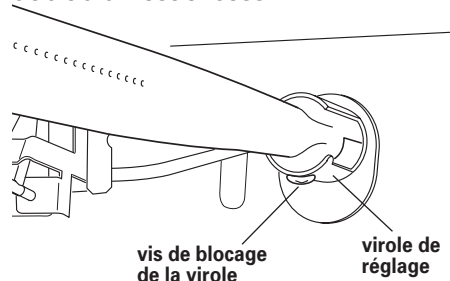
Il y aura des flammes sur le brûleur du four jusqu'à ce que la température dans le four atteigne 350°F. Après 20 à 40 secondes, le brûleur sera alimenté par intermittence pour le maintien de la température de 350°F.

Le même brûleur est utilisé pour le grill et le four. Contrôler la fonction grill comme suit :

- Appuyer sur la touche « BROIL » (grill).
 - L'afficheur présente alors « 525 ».
 - Le témoin « BROIL » (grill) s'allume.
- Appuyer sur la touche « START/ENTER » (mise en marche/entrer).
 - Les témoins « TEMP » et « ON » (marche) s'allument.
 - Le brûleur du four devrait s'allumer en 20 à 40 secondes; ce délai d'attente est normal.** L'ouverture de la vanne d'arrivée de gaz prend un certain temps.

Pour éviter d'endommager les dispositifs d'allumage, n'insérer aucun objet dans les ouvertures des gaines de protection qui entourent le dispositif d'allumage, et ne pas nettoyer cette zone.

21. Contrôler les flammes du brûleur du four. Le brûleur doit produire des flammes d'environ 12,7 mm (1/2 po), avec cône interne bleu-vert et une zone externe bleu foncé; les flammes doivent avoir une forme nette et souple. La présence de pointes jaunes sur les flammes identifie une déficience d'air; si les flammes se séparent du brûleur, le débit d'air est excessif.



S'il est nécessaire d'effectuer un réglage des flammes :

- Éteindre le brûleur du four.
- Attendre le refroidissement du brûleur du four.
- Identifier la virole de réglage de l'admission d'air près de la paroi arrière du four; desserrer la vis de blocage.
- Régler la position de la virole.
- Remettre le four en marche et déterminer si la configuration des flammes est correcte. Si les flammes sur le brûleur ne sont toujours pas correctes, éteindre le brûleur, attendre le refroidissement du brûleur du four, et répéter l'étape d jusqu'à l'obtention du réglage correct des flammes.
- Lorsque les flammes ont été correctement ajustées sur le brûleur, éteindre le brûleur du four, attendre le refroidissement du brûleur, et serrer la vis de blocage de la virole de réglage.

22. Fermer la porte du grill. Appuyer sur la touche d'extinction « OFF ».

L'installation de cette nouvelle cuisinière est terminée. Pour bénéficier de toute l'efficacité de cette cuisinière, lire attentivement le Guide d'utilisation et d'entretien. Conserver le guide et les instructions d'installation en lieu sûr pour pouvoir facilement les consulter. Grâce à ces instructions, il sera possible de réinstaller la cuisinière tout aussi facilement dans une autre résidence après un déménagement.

Conversion pour autre gaz

L'opération de conversion (de gaz naturel à propane, ou de propane à gaz naturel) doit être exécutée par un technicien qualifié.

! AVERTISSEMENT



Risque d'incendie

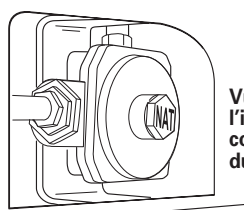
Fermer le robinet de la canalisation de gaz.

Exécuter la totalité du travail de conversion avant d'ouvrir de nouveau l'arrivée de gaz.

Le non-respect des instructions peut provoquer explosion, incendie ou autres blessures.

Conversion pour l'alimentation au propane

1. Avant d'effectuer la conversion pour l'alimentation au propane, exécuter les étapes 1 à 9 (pages 6 et 7) de l'installation. **Vérifier que le robinet d'arrêt manuel de la canalisation de gaz est fermé.**

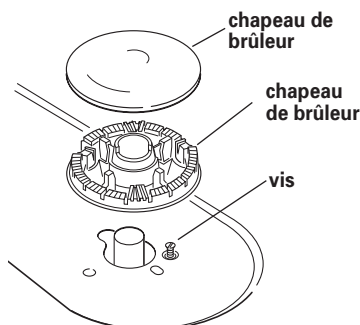
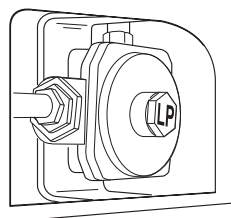


Vue depuis l'intérieur du compartiment du grill

2. Ouvrir le tiroir du grill; retirer le plateau du grill. Le détendeur est situé dans l'angle arrière/droit du compartiment du grill.

NE PAS ÔTER LE DÉTENDEUR.

3. Détendeur :
Ôter le chapeau du détendeur. Retourner le chapeau pour que la marque L.P. soit visible. Réinstaller le chapeau.



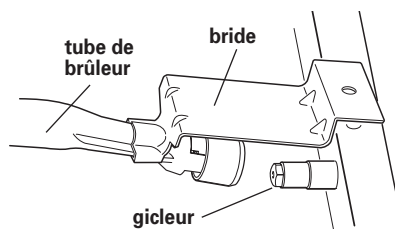
4. Ôter grille de brûleur, chapeau de brûleur, brûleur et vis. Soulever la table de cuisson.

REMARQUE : Il n'y a pas de tige de support de la table de cuisson.

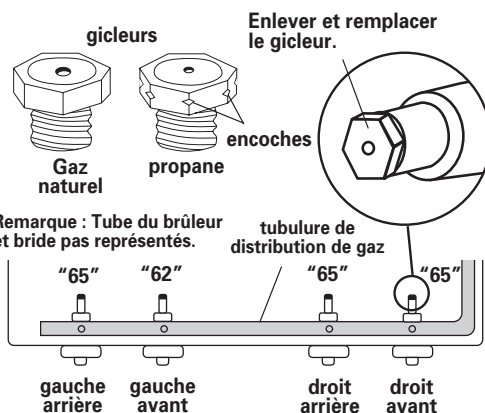
5. Brûleurs de la table de cuisson :

a. Vérifier que chaque bouton de commande est à la position d'arrêt « OFF ». Ôter les boutons.

b. Ôter le tableau de commande. (Voir l'étape 17a, page 9).



c. Soulever l'avant de la bride; et écarter l'ensemble bride/tube pour accéder au gicleur.



Remarque : Tube du brûleur et bride pas représentés.

tubulure de distribution de gaz

d. Dans le sachet de pièces et documents fournis avec la cuisinière, trouver les gicleurs pour propane à utiliser pour les brûleurs de la table de cuisson (3 gicleurs sont marqués 65 et 1 gicleur est marqué 62). Ôter les gicleurs pour gaz naturel avec une clé mixte de 3/8 pouce. Installer les gicleurs pour propane à la place des gicleurs pour gaz naturel. Voir les indications du dessin.

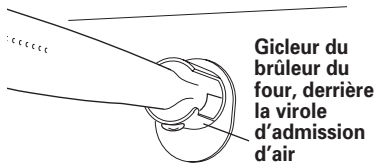
REMARQUE : Selon le modèle, la table de cuisson peut comporter 4 brûleurs standard, ou 3 brûleurs standard et un brûleur de haute puissance; ceci ne modifie pas la taille et la position des gicleurs.

Placer les gicleurs pour gaz naturel dans le sachet de plastique; conserver ces gicleurs pour réutilisation éventuelle, avec les documents fournis avec la cuisinière.

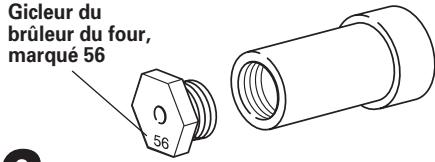
Réinstaller chaque ensemble tube/bride.

e. Abaisser la table de cuisson. Réinstaller les vis de fixation des tubes de brûleur. Réinstaller les brûleurs, les chapeaux de brûleur et les grilles de brûleur.

Ne pas réinstaller le tableau de commande ou les boutons de commande. On réinstallera ces composants à l'étape 10, page 11.



Gicleur du brûleur du four, derrière la virole d'admission d'air



6. Brûleur du four :

a. Écarter prudemment le brûleur du four de la paroi arrière du four, juste assez pour pouvoir accéder au gicleur d'admission du gaz, derrière la virole d'admission d'air.

b. Dans le sachet de pièces et de documents fournis avec la cuisinière, trouver le gicleur pour propane marqué 127.

c. Avec une clé mixte de 3/8 pouce, enlever le gicleur pour gaz naturel. Installer à la place le gicleur pour propane marqué 127.

Placer le gicleur pour gaz naturel avec les gicleurs de la table de cuisson pour gaz naturel dans le sachet de plastique, pour réutilisation éventuelle; conserver ces pièces avec les documents fournis avec la cuisinière.

d. Réinstaller le brûleur du four.

7.

Ouvrir le robinet d'arrêt manuel de la canalisation de gaz. Pour un appareil avec raccords gaz et électricité, exécuter maintenant les opérations 10 à 16 présentées aux pages 7 et 8 qui n'ont pas encore été exécutées.

8.

Installer les boutons de commande. Contrôler l'aspect des flammes. Les flammes des brûleurs de la table de cuisson doivent comporter un petit cône interne de teinte nettement bleue, de 6,4 mm (1/4 po) à 12,7 mm (1/2 po). Le cône externe n'est pas aussi net que le cône interne. La taille des flammes du brûleur du four devrait être 12,7 mm (1/2 po), avec un cône interne bleu-vert et une zone externe bleu foncé. Les flammes de propane comportent une pointe légèrement jaune. Si la combustion est bruyante ou si les flammes se séparent du brûleur, c'est parce que le débit d'air est excessif. Si les flammes sont vacillantes et molles, le

débit d'air est insuffisant. S'il est nécessaire d'effectuer un réglage du brûleur, voir la section « Contrôle du fonctionnement », étapes 17 à 22, pages 8 et 9.

9.

Fermer la porte du gril. Appuyer sur la touche d'extinction « OFF ».

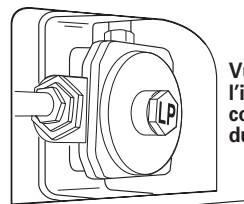
10.

Ôter les boutons de commande. Réinstaller le tableau de commande. Bien serrer les 4 vis. Réinstaller les boutons de commande. **Important :** Contrôler le réglage pour la flamme « LO », si cela n'a pas déjà été fait à l'étape 8. Voir la section « Contrôle du fonctionnement », étape 19, page 9.

Conversion pour l'alimentation au gaz naturel

1.

Vérifier que le robinet d'arrêt manuel de la canalisation de gaz est fermé.



Vue depuis l'intérieur du compartiment du gril

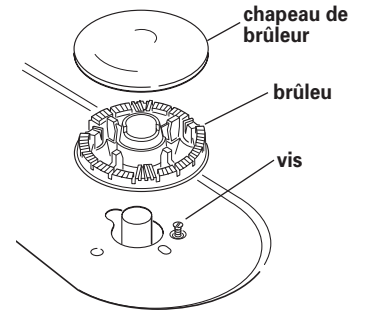
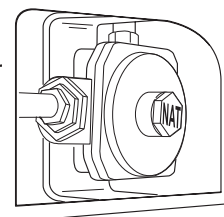
2.

Ouvrir le tiroir du gril; retirer le plateau du gril. Le détendeur est situé dans l'angle arrière/droit du compartiment du gril.

NE PAS ÔTER LE DÉTENDEUR.

3. Détendeur :

Ôter le chapeau du détendeur. Retourner le chapeau pour que la marque N ou NAT soit visible. Réinstaller le chapeau.



4.

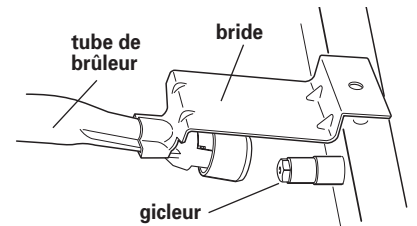
Ôter grille de brûleur, chapeau de brûleur, brûleur et vis. Soulever la table de cuisson.

REMARQUE : Il n'y a pas de tige de support de la table de cuisson.

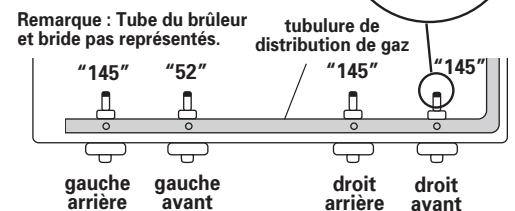
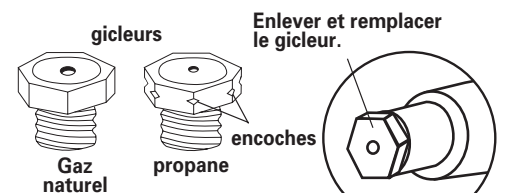
5. Brûleurs de la table de cuisson :

a. Vérifier que chaque bouton de commande est à la position d'arrêt « OFF ». Ôter les boutons.

b. Ôter le tableau de commande. (Voir l'étape 17a, page 9).



c. Soulever l'avant de la bride; et écarter l'ensemble bride/tube pour accéder au gicleur.



Remarque : Tube du brûleur et bride pas représentés.

tubulure de distribution de gaz

d. Dans le sachet de pièces et documents fournis avec la cuisinière, trouver les gicleurs pour gaz naturel à utiliser pour les brûleurs de la table de cuisson (3 gicleurs sont marqués 145 et 1 gicleur est marqué 52). Ôter les

gicleurs pour propane avec une clé mixte de 3/8 pouce. Installer les gicleurs pour gaz naturel à la place des gicleurs pour propane. Voir les indications du dessin.

REMARQUE : Selon le modèle, la table de cuisson peut comporter 4 brûleurs standard, ou 3 brûleurs standard et un brûleur de haute puissance; ceci ne modifie pas la taille et la position des gicleurs.

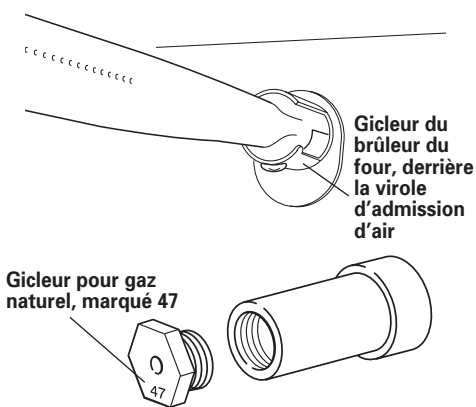
Placer les gicleurs pour propane dans le sachet de plastique; conserver ces gicleurs pour réutilisation éventuelle, avec les documents fournis avec la cuisinière.

Réinstaller chaque ensemble tube/bride.

e. Abaisser la table de cuisson.

Réinstaller les vis de fixation des tubes de brûleur. Réinstaller les brûleurs, les chapeaux de brûleur et les grilles de brûleur.

Ne pas réinstaller le tableau de commande ou les boutons de commande. On réinstallera ces composants à l'étape 10, page 12.



6 ■ Brûleur du four :

a. Écarter prudemment le brûleur du four de la paroi arrière du four, juste assez pour pouvoir accéder au gicleur d'admission du gaz, derrière la virole d'admission d'air.

b. Dans le sachet de pièces et de documents fournis avec la cuisinière, trouver le gicleur pour propane marqué 47.

c. Avec une clé mixte de 3/8 pouce, enlever le gicleur pour propane. Installer à la place le gicleur pour gaz naturel marqué 47.

Placer dans le sachet de plastique le gicleur pour propane avec les gicleurs pour propane de la table de cuisson, pour réutilisation éventuelle; conserver ces pièces avec les documents fournis avec la cuisinière.

d. Réinstaller le brûleur du four.

7. Ouvrir le robinet d'arrêt manuel de la canalisation de gaz. Pour un appareil avec raccordements gaz et électricité, exécuter maintenant les opérations 10 à 16 présentées aux pages 7 et 8 qui n'ont pas encore été exécutées

8. Installer les boutons de commande. Exécuter les étapes 17 à 22 du « Contrôle du fonctionnement », pages 8 et 9. Contrôler l'aspect des flammes. Les flammes du gaz naturel ne comportent pas une pointe jaune.

9. Fermer la porte du grill. Appuyer sur la touche d'extinction « OFF ».

10. Ôter les boutons de commande. Réinstaller le tableau de commande. Bien serrer les 4 vis. Réinstaller les boutons de commande. **Important :** Contrôler le réglage pour la flamme « LO », si cela n'a pas déjà été fait à l'étape 8. Voir la section « Contrôle du fonctionnement », étape 19, page 9.

Déplacement de la cuisinière :

⚠ AVERTISSEMENT



Risque de basculement

Un enfant ou un adulte peut faire basculer la cuisinière, et ceci peut causer un décès.

Fixer la bride antibasculement sur le plancher pour qu'elle accroche le pied arrière de la cuisinière.

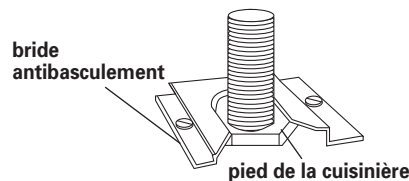
Réinstaller la bride antibasculement après un déplacement de l'appareil.

Le non-respect de ces instructions peut causer un décès ou de graves brûlures pour un enfant ou un adulte.

Lors du déplacement de la cuisinière, la faire glisser sur un carton ou panneau de bois dur pour ne pas endommager le revêtement du plancher.

Si le déplacement de la cuisinière est nécessaire pour le nettoyage ou l'entretien :

1. Enlever le tiroir de rangement.
2. Fermer la canalisation d'approvisionnement de gaz à la cuisinière.
3. Faire glisser la cuisinière vers l'avant pour pouvoir exécuter le travail.
4. Faire glisser la cuisinière vers l'avant pour achever le nettoyage ou l'entretien.



5. S'assurer que la bride antibasculement est installée :

- S'assurer que la bride antibasculement est solidement fixée au plancher.
 - Glisser la cuisinière vers l'arrière, de telle sorte que le pied arrière s'engage dans la bride antibasculement.
6. S'assurer que la cuisinière est d'aplomb.
 7. Rebrancher la canalisation de gaz à la cuisinière et rechercher les fuites.
 8. Brancher le cordon d'alimentation dans une prise. Réinstaller le tiroir de rangement.

Nettoyage et entretien

S'il est nécessaire d'enlever la cuisinière pour le nettoyage ou l'entretien, déconnecter l'alimentation électrique.

Si l'alimentation électrique est inaccessible, soulever légèrement la cuisinière à l'avant et retirer l'appareil du mur. Retirer la cuisinière seulement ce qu'il faut pour déconnecter l'alimentation électrique.

Enlever la cuisinière pour procéder au nettoyage ou à l'entretien.

Remettre la cuisinière en position de fonctionnement. Enlever le tiroir. Mettre l'appareil de niveau. Reconnecter l'alimentation électrique. S'assurer que le pied de nivellement arrière est engagé dans la bride anti-basculement.

Si la cuisinière ne fonctionne pas :

Vérifier ce qui suit :

- Fusible grillé ou disjoncteur ouvert?
- Cordon d'alimentation correctement branché sur la prise de courant?
- Robinet de gaz ouvert (position « ON »)?
- Consulter le Guide d'utilisation et d'entretien – section diagnostic/dépannage

Remarque : Consulter le Guide d'utilisation et d'entretien pour obtenir les instructions d'utilisation et de nettoyage.

Si une assistance est nécessaire :

Pour toute question concernant l'utilisation, le nettoyage ou l'entretien de la cuisinière :

- Consulter le **Guide d'utilisation et d'entretien**.
- Contacter le Centre d'assistance à la clientèle. Pour obtenir le numéro d'appel sans frais, consulter le Guide d'utilisation et d'entretien ou contacter le magasin où l'appareil a été acheté. On peut trouver les noms et adresses des établissements de vente agréés dans l'annuaire local Pages jaunes à la rubrique « Appareils électroménagers – Gros – Vente et service ».

Si vous avez besoin de services de réparation :

Pour préserver la qualité incorporée dans cette cuisinière, confier les travaux à un établissement de service après-vente agréé.

Pour obtenir le nom et l'adresse d'un établissement de service après-vente agréé :

- Contacter le magasin où l'appareil a été acheté
- Consulter l'annuaire local Pages jaunes à la rubrique « Appareils électroménagers – Gros – Vente et service ».
- Téléphoner au Centre d'assistance à la clientèle; pour trouver le numéro d'appel sans frais, consulter le Guide d'utilisation et d'entretien

Lors de la prise de contact, le client doit communiquer

- le numéro de modèle.
- le numéro de série de l'appareil.

Ces numéros figurent sur la plaque signalétique, située sur le châssis, derrière la porte du gril.