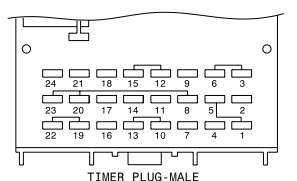
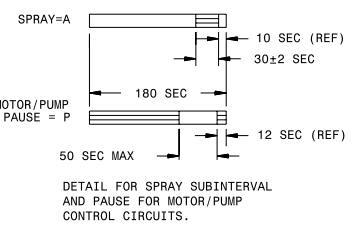
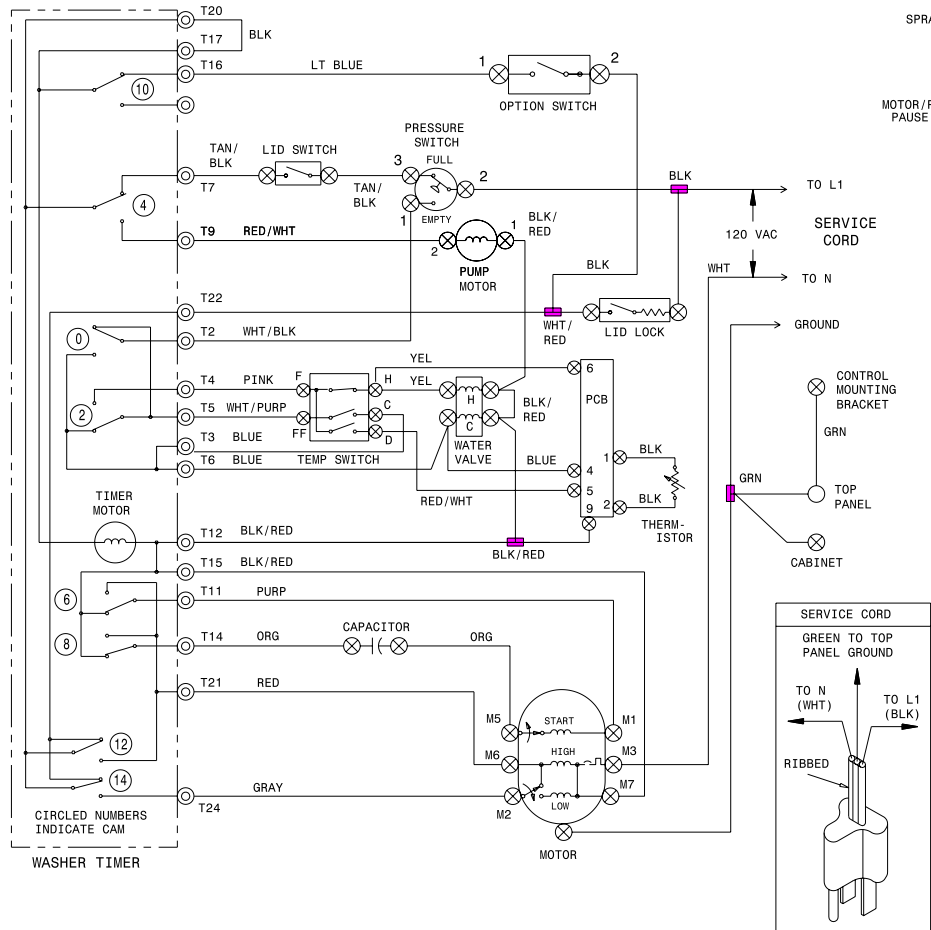
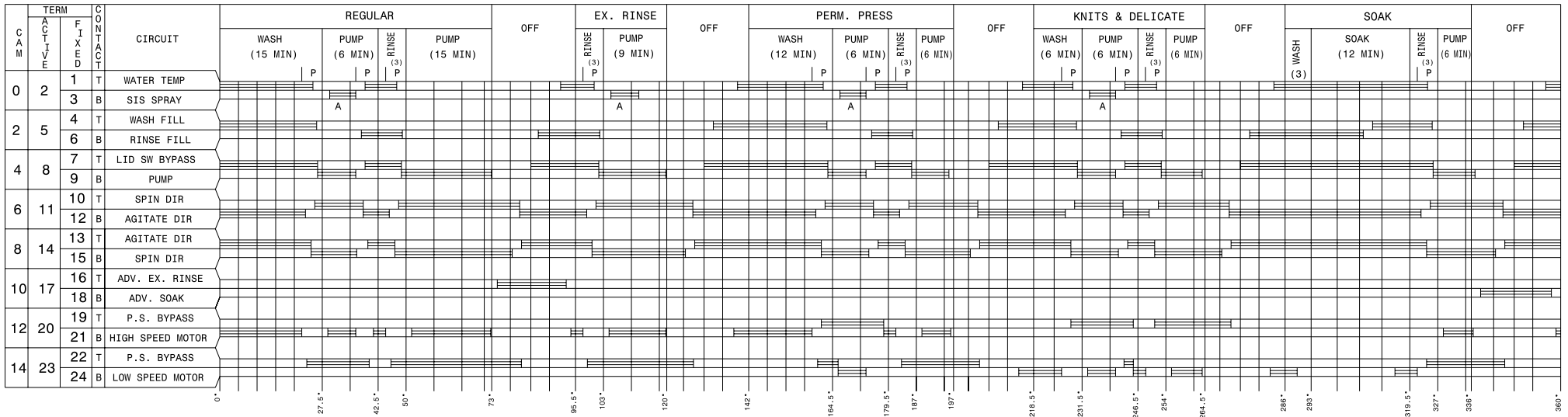


# CAUTION: DISCONNECT ELECTRIC CURRENT BEFORE SERVICING

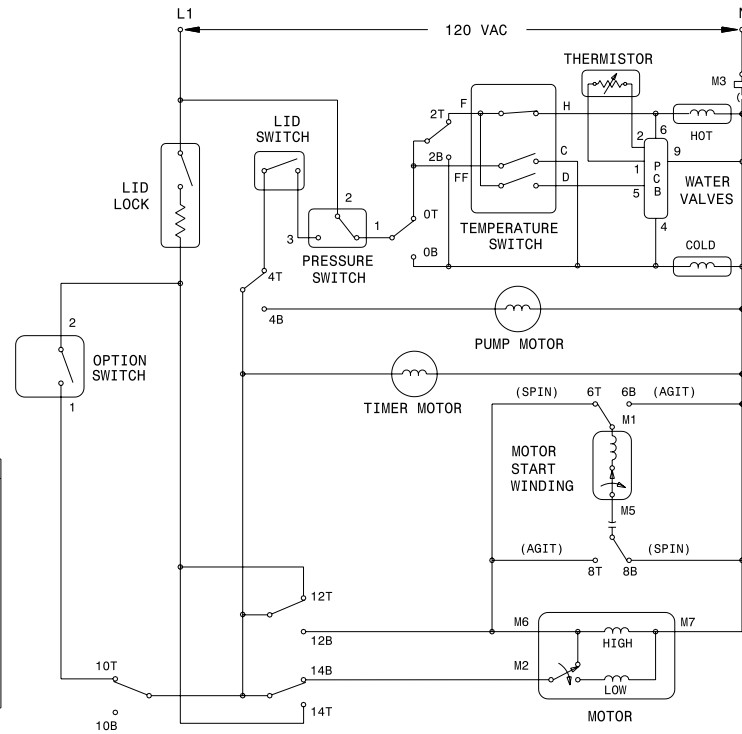


- WIRING CODES**
- ⊙ PLUG IN TIMER TERMINAL
  - ⊗ QUICK DISCONNECT TERMINAL
  - SCREW TERMINAL
  - CONNECTION
  - + NO CONNECTION
  - ⊞ MOTOR SWITCH
  - SPICE
  - ⊞ MOTOR PROTECTOR
  - ⊞ CHASSIS (CABINET) GROUND

**TEMPERATURE SWITCH CIRCUIT**

WASH/RINSE	F-H	FF-H	FF-C	F-D
H/C	X			
* W/C	X		X	
* C/C			X	
* W/W		X	X	
R C/C			X	X
R W/C	X		X	X
R W/W		X		X

H=HOT C=COLD W=WARM  
R=REGULATED  
\* NOT ON ALL MODELS.



**\* OPTION SWITCH**

POS	OPTION	1-9	1-3	5-4	5-2
1	POWER SCRUB/ EXTRA RINSE			X	X
2	EXTRA RINSE	X		X	
3	POWER SCRUB		X		X
4	OFF	X	X		

X=SWITCH CLOSED  
\* TERMINALS 1, 3, & 9 NOT USED ON ALL MODELS.

NOTE:  
SUFFIX INDICATES TIMER SWITCH CONTACTS  
T= TOP  
B= BOTTOM