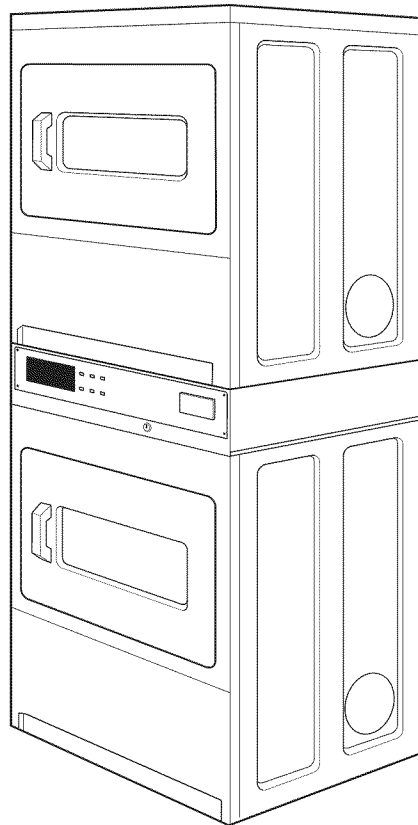




**INSTALLATION INSTRUCTIONS
COMMERCIAL STACKED DRYER**
Gas (120-Volt, 60-Hz) or Electric (120/240-Volt, 60-Hz)

**INSTRUCTIONS POUR L'INSTALLATION D'UNE
SÉCHEUSE COMMERCIALE SUPERPOSÉE**
à gaz (120 Volts, 60 Hz) ou électrique (120/240 Volts, 60 Hz)

Table of Contents/Table des matières 2



Actual unit may or may not contain doors with windows, depending on model

Selon le modèle, le présent appareil n'offre peut-être pas de hublot de porte.

TABLE OF CONTENTS

DRYER SAFETY	2
INSTALLATION REQUIREMENTS	5
Tools and Parts	5
Location Requirements.....	5
Electrical Requirements - Gas Dryer	6
Electrical Requirements - Electric Dryer (U.S. only)	6
Gas Supply Requirements	7
Venting Requirements	8
INSTALLATION INSTRUCTIONS – GAS DRYER	10
Make Gas Connection.....	10
Connect Vent	10
Complete Installation	10
INSTALLATION INSTRUCTIONS – ELECTRIC DRYER	10
Make Electrical Connection.....	11
Connect Vent	15
Complete Installation	15
REVERSING THE DOOR SWING (OPTIONAL)	15
MAINTENANCE INSTRUCTIONS	16
ELECTRONIC CONTROL SETUP	16
WARRANTY	21

TABLE DES MATIÈRES

SÉCURITÉ DE LA SÈCHEUSE	22
EXIGENCES D'INSTALLATION	25
Outillage et pièces	25
Exigences d'emplacement	25
Spécifications électriques - sècheuse à gaz	26
Spécifications électriques - sècheuse électrique (É.-U. seulement)	26
Spécifications de l'alimentation en gaz	27
Exigences concernant l'évacuation	28
INSTRUCTIONS D'INSTALLATION – SÈCHEUSE À GAZ	31
Raccordement à la canalisation de gaz	31
Raccordement du conduit d'évacuation	31
Achever l'installation	31
INSTRUCTIONS D'INSTALLATION – SÈCHEUSE ÉLECTRIQUE	32
Raccordement électrique	32
Raccordement du conduit d'évacuation	37
Achever l'installation	37
INVERSION DU SENS D'OUVERTURE DE LA PORTE	37
INSTRUCTIONS D'ENTRETIEN	38
RÉGLAGE DE LA COMMANDE ÉLECTRONIQUE	38
GARANTIE	44

DRYER SAFETY

Your safety and the safety of others are very important.

We have provided many important safety messages in this manual and on your appliance. Always read and obey all safety messages.



This is the safety alert symbol.

This symbol alerts you to potential hazards that can kill or hurt you and others.

All safety messages will follow the safety alert symbol and either the word "DANGER" or "WARNING."

These words mean:

⚠ DANGER

You can be killed or seriously injured if you don't immediately follow instructions.

⚠ WARNING

You can be killed or seriously injured if you don't follow instructions.

All safety messages will tell you what the potential hazard is, tell you how to reduce the chance of injury, and tell you what can happen if the instructions are not followed.



WARNING - “Risk of Fire”

- Clothes dryer installation must be performed by a qualified installer.
- Install the clothes dryer according to the manufacturer’s instructions and local codes.
- Do not install a clothes dryer with flexible plastic venting materials. If flexible metal (foil type) duct is installed, it must be of a specific type identified by the appliance manufacturer as suitable for use with clothes dryers. Flexible venting materials are known to collapse, be easily crushed, and trap lint. These conditions will obstruct clothes dryer airflow and increase the risk of fire.
- To reduce the risk of severe injury or death, follow all installation instructions.
- Save these instructions.

WARNING: For your safety, the information in this manual must be followed to minimize the risk of fire or explosion, or to prevent property damage, personal injury, or death.

- Do not store or use gasoline or other flammable vapors and liquids in the vicinity of this or any other appliance.
- **WHAT TO DO IF YOU SMELL GAS:**
 - Do not try to light any appliance.
 - Do not touch any electrical switch; do not use any phone in your building.
 - Clear the room, building, or area of all occupants.
 - Immediately call your gas supplier from a neighbor's phone. Follow the gas supplier's instructions.
 - If you cannot reach your gas supplier, call the fire department.
- Installation and service must be performed by a qualified installer, service agency, or the gas supplier.

WARNING: Gas leaks cannot always be detected by smell.

Gas suppliers recommend that you use a gas detector approved by UL or CSA.

For more information, contact your gas supplier.

If a gas leak is detected, follow the “What to do if you smell gas” instructions.

IMPORTANT: The gas installation must conform with local codes, or in the absence of local codes, with the National Fuel Gas Code, ANSI Z223.1/NFPA 54 or the Canadian Natural Gas and Propane Installation Code, CSA B149.1.

The dryer must be electrically grounded in accordance with local codes, or in the absence of local codes, with the National Electrical Code, ANSI/NFPA 70 or Canadian Electrical Code, CSA C22.1.

In the State of Massachusetts, the following installation instructions apply:

- Installations and repairs must be performed by a qualified or licensed contractor, plumber, or gasfitter qualified or licensed by the State of Massachusetts.
- If using a ball valve, it shall be a T-handle type.
- A flexible gas connector, when used, must not exceed 3 feet.

IMPORTANT SAFETY INSTRUCTIONS

WARNING: To reduce the risk of fire, electric shock, or injury to persons when using the dryer, follow basic precautions, including the following:

- Read all instructions before using the dryer.
- Do not place items exposed to cooking oils in your dryer. Items contaminated with cooking oils may contribute to a chemical reaction that could cause a load to catch fire.
- Do not dry articles that have been previously cleaned in, washed in, soaked in, or spotted with gasoline, dry-cleaning solvents, other flammable, or explosive substances as they give off vapors that could ignite or explode.
- Do not allow children to play on or in the dryer. Close supervision of children is necessary when the dryer is used near children.
- Before the dryer is removed from service or discarded, remove the door to the drying compartment.
- Do not reach into the dryer if the drum is moving.
- Do not install or store the dryer where it will be exposed to the weather.
- Do not tamper with controls.
- Do not repair or replace any part of the dryer or attempt any servicing unless specifically recommended in this Use and Care Guide or in published user-repair instructions that you understand and have the skills to carry out.
- Do not use fabric softeners or products to eliminate static unless recommended by the manufacturer of the fabric softener or product.
- Do not use heat to dry articles containing foam rubber or similarly textured rubber-like materials.
- Clean lint screen before or after each load.
- Keep area around the exhaust opening and adjacent surrounding areas free from the accumulation of lint, dust, and dirt.
- The interior of the dryer and exhaust vent should be cleaned periodically by qualified service personnel.
- See installation instructions for grounding requirements.

SAVE THESE INSTRUCTIONS

- It is recommended that the owner post, in a prominent location, instructions for the customer's use in the event the customer smells gas. This information should be obtained from your gas supplier.
- Post the following warning in a prominent location.

FOR YOUR SAFETY

Do not store or use gasoline or other flammable vapors and liquids in the vicinity of this or any other appliance.

INSTALLATION REQUIREMENTS

Tools and Parts

Gather the required tools and parts before starting installation. Read and follow the instructions provided with any tools listed here.

Tools needed

- 8" (20 cm) or 10" (25 cm) pipe wrench
- 8" (20 cm) or 10" (25 cm) adjustable wrench
- Flat-blade screwdriver
- Phillips screwdriver
- Adjustable wrench that opens to 1" (25 mm) or 1" (25 mm) hex-head socket wrench
- Security T-20 TORX[†] driver
- Level
- 5/16" open-end wrench
- Vent clamps
- Pipe-joint compound resistant to LP gas
- Caulk gun and caulk (for installing new exhaust vent)
- Pliers
- Putty knife

† © TORX is a registered trademark of Acument Intellectual Properties, LLC.


Parts supplied

Remove parts bag from dryer drum. Check that all parts were included.

- 10-32 x 5/16" serrated screw (4)
- Security cotter pin (2)

Location Requirements

⚠ WARNING



Explosion Hazard

Keep flammable materials and vapors, such as gasoline, away from dryer.

Do not install in a garage.

Failure to do so can result in death, explosion, or fire.

If installing a gas dryer:

IMPORTANT: Observe all governing codes and ordinances.

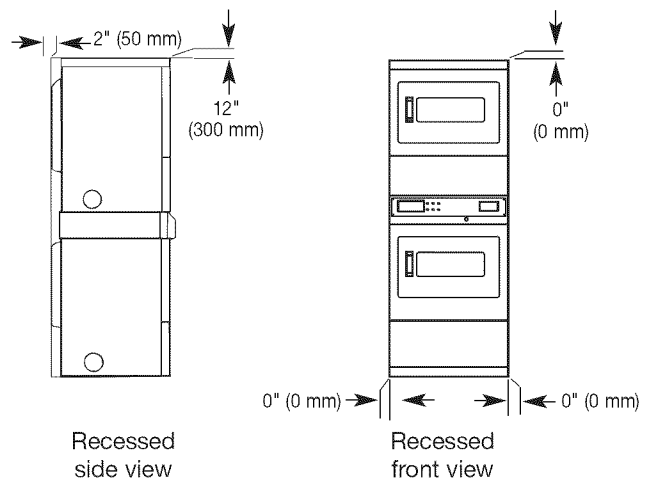
- Check code requirements: Some codes limit or do not permit installation of clothes dryers in closets or sleeping quarters. Contact your local building inspector.
- Make sure that lower edges of the cabinet, plus the back and bottom sides of the dryer, are free of obstructions to permit adequate clearance of air openings for combustion air. See "Recessed Area Installation Instructions" below for minimum spacing requirements.

NOTE:

- The dryer must not be installed in an area where it will be exposed to water and/or weather.
- This dryer must not be installed in a closet with a door.

Minimum Installation Clearances

	Back	Sides	Top	Front
Recessed	2 in. (50 mm)	0 in. (0mm)	12 in. (300 mm)	—

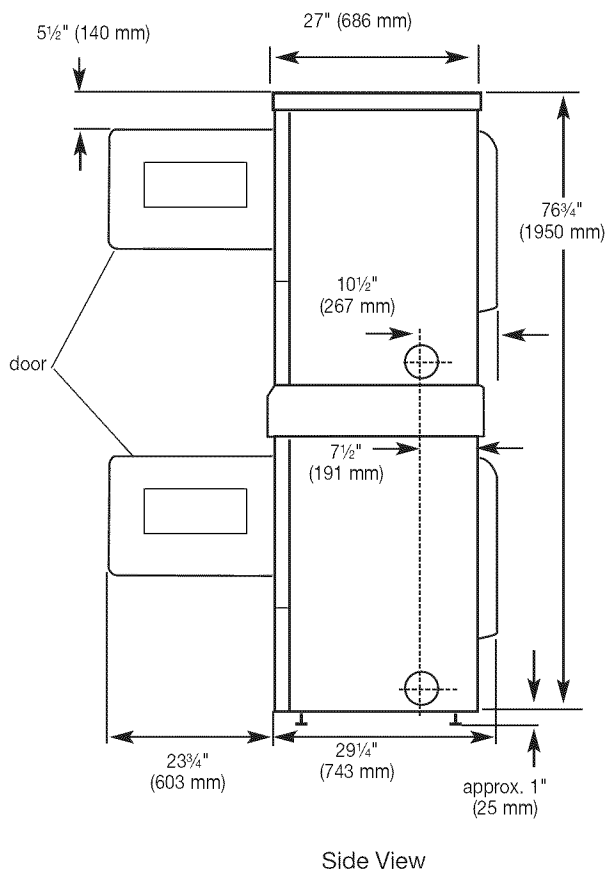
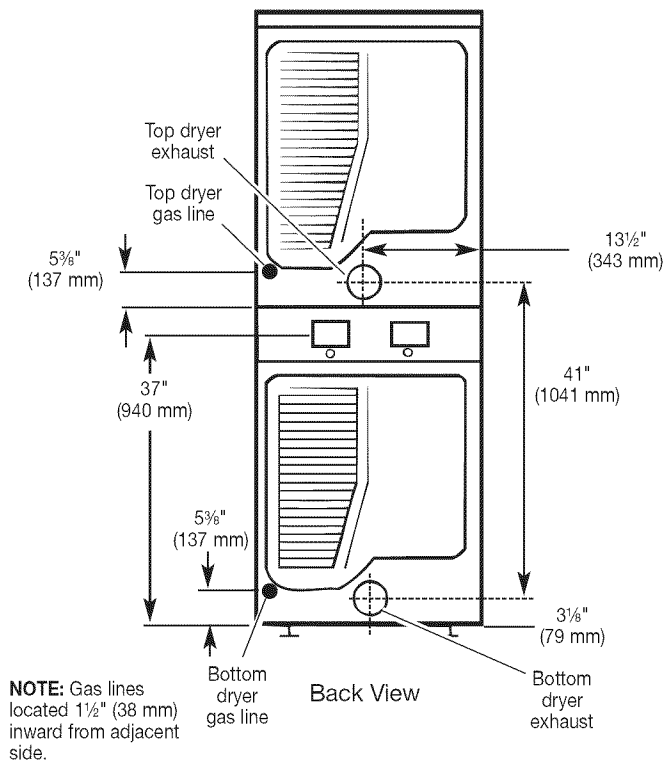


Additional clearances for wall, door, and floor moldings may be required or if external exhaust elbow is used.

Recessed Area Installation Instructions

This dryer may be installed in a recessed area. Minimum installation clearances can be found on the rear of the dryer. The dryer must be exhausted outdoors.

Product Dimensions



Electrical Requirements - Gas Dryer

⚠ WARNING



Electrical Shock Hazard

Plug into a grounded 3 prong outlet.

Do not remove ground prong.

Do not use an adapter.

Do not use an extension cord.

Failure to follow these instructions can result in death, fire, or electrical shock.

IMPORTANT: The dryer must be electrically grounded in accordance with local codes and ordinances or, in the absence of local codes, with the National Electrical Code, ANSI/NFPA 70, latest edition.

If codes permit and a separate ground wire is used, it is recommended that a qualified electrical installer determine that the ground path is adequate.

A copy of the above code standards can be obtained from:

National Fire Protection Association
One Batterymarch Park, Quincy, MA 02269

- A 120 volt, 60 Hz, AC only, 15-amp, fused electrical circuit is required. A time-delay fuse or circuit breaker is also recommended. It is recommended that a separate circuit serving only this dryer be provided.

Recommended Ground Method

The dryer, when installed, must be electrically grounded in accordance with local codes or, in the absence of local codes, with the National Electrical Code, ANSI/NFPA 70, latest edition.

GROUNDING INSTRUCTIONS

- For a grounded, cord-connected dryer:
This dryer must be grounded. In the event of a malfunction or breakdown, grounding will reduce the risk of electric shock by providing a path of least resistance for electric current. This dryer is equipped with a cord having an equipment-grounding conductor and a grounding plug. The plug must be plugged into an appropriate outlet that is properly installed and grounded in accordance with all local codes and ordinances.

WARNING: Improper connection of the equipment-grounding conductor can result in a risk of electric shock. Check with a qualified electrician or service representative or personnel if you are in doubt as to whether the dryer is properly grounded. Do not modify the plug provided with the dryer: if it will not fit the outlet, have a proper outlet installed by a qualified electrician.

SAVE THESE INSTRUCTIONS

Electrical Requirements – Electric Dryer (U.S. Only)

IMPORTANT: The dryer must be electrically grounded in accordance with local codes and ordinances or, in the absence of local codes, with the National Electrical Code, ANSI/NFPA 70, latest edition.

The National Electrical Code requires a 4-wire supply connection for homes built after 1996, dryer circuits involved in remodeling after 1996, and all mobile home installations.

If codes permit and a separate ground wire is used, it is recommended that a qualified electrical installer determine that the ground path is adequate.

A copy of the above code standards can be obtained from:

National Fire Protection Association
One Batterymarch Park, Quincy, MA 02269

- A four-wire or three-wire, single-phase, 120/240 volt, 60 Hz, AC only electrical supply (or four-wire or three-wire, 120/208 volt, if specified on the model/serial rating plate) is required on a separate, 30-amp circuit, fused on both sides of the line. A time-delay fuse or circuit breaker is recommended.

Recommended Ground Method

It is your responsibility to contact a qualified electrical installer to ensure that the electrical installation is adequate and in conformity with the National Electrical Code, ANSI/NFPA 70, latest edition, and all local codes and ordinances.

GROUNDING INSTRUCTIONS

- For a grounded, cord-connected dryer:
This dryer must be grounded. In the event of a malfunction or breakdown, grounding will reduce the risk of electric shock by providing a path of least resistance for electric current. This dryer uses a cord having an equipment-grounding conductor and a grounding plug. The plug must be plugged into an appropriate outlet that is properly installed and grounded in accordance with all local codes and ordinances.
- For a permanently connected dryer:
This dryer must be connected to a grounded metal, permanent wiring system, or an equipment-grounding conductor must be run with the circuit conductors and connected to the equipment-grounding terminal or lead on the dryer.

WARNING: Improper connection of the equipment-grounding conductor can result in a risk of electric shock. Check with a qualified electrician or service representative or personnel if you are in doubt as to whether the dryer is properly grounded. Do not modify the plug on the power supply cord: if it will not fit the outlet, have a proper outlet installed by a qualified electrician.

SAVE THESE INSTRUCTIONS

Gas Supply Requirements

⚠ WARNING



Explosion Hazard

Use a new CSA International approved gas supply line.

Install a shut-off valve.

Securely tighten all gas connections.

If connected to LP, have a qualified person make sure gas pressure does not exceed 13" (330 mm) water column.

Examples of a qualified person include:

**licensed heating personnel,
authorized gas company personnel, and
authorized service personnel.**

Failure to do so can result in death, explosion, or fire.

IMPORTANT: Observe all governing codes and ordinances.

This installation must conform with all local codes and ordinances. In the absence of local codes, installation must conform with American National Standard, National Fuel Gas Code ANSI Z223.1/NFPA 54.

A copy of the above code standards can be obtained from:

National Fire Protection Association
One Batterymarch Park, Quincy, MA 02269

The design of this dryer has been certified by CSA International for use at altitudes up to 10,000 feet (3048 m) above sea level at the B.T.U. rating indicated on the model/serial plate. Burner input adjustments are not required when the dryer is operated up to this elevation.

When installed above 10,000 feet (3048 m), a four percent (4%) reduction of the burner B.T.U. rating shown on the model/serial plate is required for each 1,000 foot (305 m) increase in elevation. For assistance when converting to other gas types and/or installing above 10,000 feet (3048 m) elevation, contact your local service company.

Type of Gas

This dryer is equipped for use with natural gas. It is design-certified by CSA International for L.P. (propane and butane) gases with appropriate conversion. No attempt shall be made to convert the dryer from the gas specified on the serial/rating plate for use with a different gas without consulting the serving gas supplier. Conversion must be done by a qualified service technician. Gas conversion kit part numbers are listed on the gas valve burner base.

Gas Supply Line

Recommended method

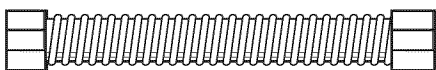
- Provide a gas supply line of 1/2" rigid (IPS) pipe to the dryer location. Pipe joint compounds that resist the action of LP gas must be used. Do not use TEFLON[®] tape. With LP gas, piping or tubing size can be 1/2" minimum. Usually, LP gas suppliers determine the size and materials used in the system.

Alternate method

- The gas supply may also be connected using 3/8" approved copper or aluminum tubing. If the total length of the supply line is more than 20 feet (6.1 m), larger tubing will be required. If using natural gas, do not use copper tubing. Pipe joint compounds that resist the action of LP gas must be used.

Flexible metal appliance connector

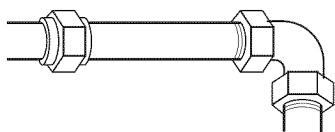
- It is recommended that a new flexible stainless steel gas line, design-certified by CSA International, be used for connecting the dryer to the gas supply line. (The gas pipe which extends through the lower rear of the dryer is provided with 3/8" male pipe thread.)



- Do not kink or damage the flexible stainless steel gas line when moving the dryer.

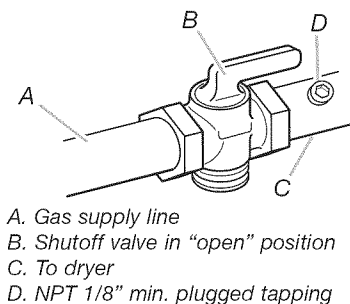
Rigid pipe connection

The rigid pipe connection requires a combination of pipe fittings to obtain an in-line connection to the dryer.



- Must include a shutoff valve:

The supply line must be equipped with a manual shutoff valve. In the U.S., the valve must be installed within 6 ft. (1.8 m) of dryer in accordance with National Fuel Gas Code, ANSI Z223.1. In Canada, an individual manual shutoff valve must be installed in accordance with the B149 installation codes CAN/CGA B149.1 and CAN/CGA B149.2. This valve should be located in the same room as the dryer. It should be in a location that allows ease of opening and closing. Do not block access to shutoff valve. The valve is for turning on or shutting off gas to the dryer.



- Installed in a confined area:

If the dryer is installed in a confined area such as a bathroom, provision must be made for enough air for combustion and ventilation. Check governing codes and ordinances or refer to the "Recessed Area Installation Instructions" in the "Location Requirements" section.

Gas Supply Pressure Testing

A 1/8" NPT minimum plugged tapping, accessible for gauge testing, must be installed immediately upstream of the installed shut-off valve to the dryer.

The dryer must be disconnected from the gas supply piping system during any pressure testing of the system at test pressures in excess of 1/2 psig.

Venting Requirements

⚠ WARNING



Fire Hazard

Use a heavy metal vent.

Do not use a plastic vent.

Do not use a metal foil vent.

Failure to follow these instructions can result in death or fire.

WARNING: To reduce the risk of fire, this dryer MUST BE EXHAUSTED OUTDOORS.

- The dryer vent must not be exhausted into any gas vent, chimney, wall, ceiling, attic, crawlspace, or a concealed space of a building.
- Only rigid or flexible metal duct shall be used for exhausting.
- Do not use an exhaust hood with a magnetic latch.
- Do not install flexible metal vent in enclosed walls, ceilings, or floors.
- 4" (102 mm) heavy metal vent and clamps must be used. Do not use plastic or metal foil vent.
- Use clamps to seal all joints. The duct shall not be assembled with screws or other fastening means that extend into the duct and catch lint. Do not use duct tape.
- The total length of flexible metal vent shall not exceed 7 1/4 ft (2.4 m).

IMPORTANT: Observe all governing codes and ordinances.

Rigid metal vent is recommended to prevent crushing and kinking.

Flexible metal vent must be fully extended and supported when the dryer is in its final position. Remove excess flexible metal vent to avoid sagging and kinking that may result in reduced airflow and poor performance.

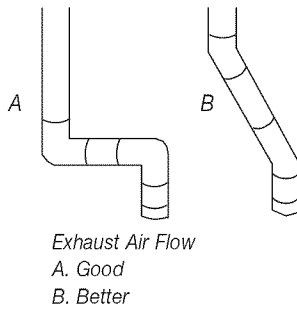
An exhaust hood should cap the vent to prevent rodents and insects from entering the home or business.

Exhaust hood must be at least 12" (305 mm) from the ground or any object that may be in the path of the exhaust (such as flowers, rocks, or bushes).

If using an existing vent system, clean lint from the entire length of the system and make sure exhaust hood is not plugged with lint. Replace any plastic or metal foil vent with rigid metal vent.

†©TEFLON is a registered trademark of E.I. Du Pont De Nemours and Company.

Plan installation to use the fewest number of elbows and turns.

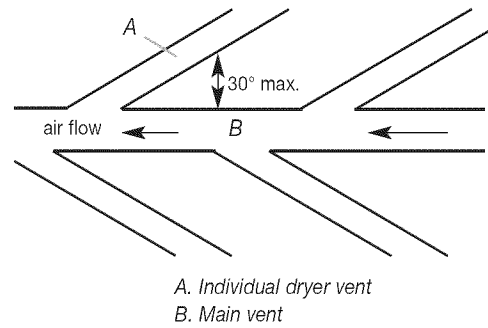


Allow as much room as possible when using elbows or making turns. Bend vent gradually to avoid kinking.

Vent outlet is located at the center of the bottom dryer back.

The vent can be routed up, down, left, right, behind the dryer, or straight out the back of the dryer.

The maximum angle of each vent entering the main vent should be no more than 30°.



Keep air openings free of dry cleaning fluid fumes. Fumes create acids which, when drawn through the dryer heating units, can damage dryers and loads being dried.

A clean-out cover should be located on the main vent for periodic cleaning of the vent system.

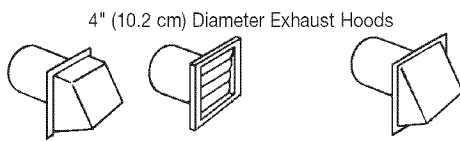
If an exhaust hood cannot be used:

The outside end of the main vent should have a sweep elbow directed downward. If the main vent travels vertically through the roof, rather than through the wall, install a 180° sweep elbow on the end of the vent at least 2 feet (610 mm) above the highest part of the building. The opening in the wall or roof shall have a diameter 1/2" (13 mm) larger than the vent diameter. The vent should be centered in the opening.

Vent System Length

Maximum length of vent system depends upon the type of vent used, number of elbows, and type of exhaust hood. The maximum length for rigid vent is shown in the chart.

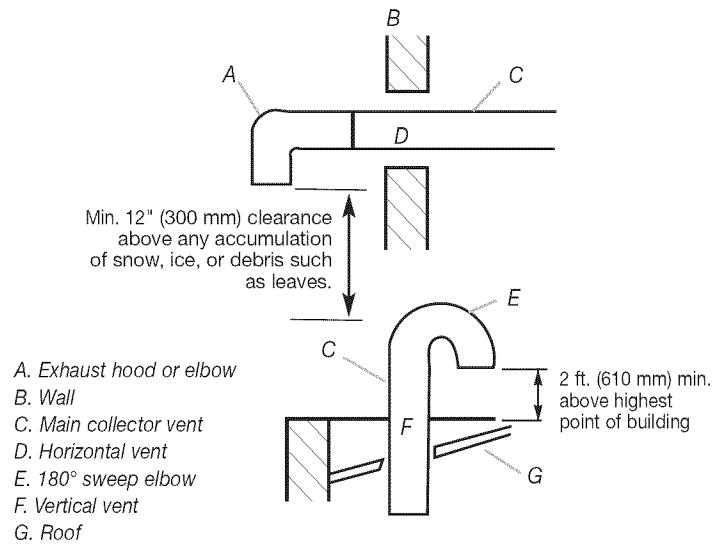
Maximum Vent Length



Rigid Metal Vent		
No. of 90° turns	Box Hood and Louvered Style	Angled Hood Style
0	130 ft. (39.6 m)	129 ft. (39.3 m)
1	125 ft. (38.1 m)	119 ft. (36.3 m)
2	115 ft. (35.1 m)	109 ft. (33.2 m)
3	106 ft. (32.3 m)	100 ft. (30.5 m)
4	98 ft. (29.9 m)	92 ft. (28.0 m)

For vent systems not covered by the vent specification chart, see your parts distributor.

If dryer is installed in a confined area, such as a bedroom or bathroom, provision must be made for enough air for combustion and ventilation. (Check governing codes and ordinances.) See "Recessed Area Installation Instructions" in the "Location Requirements" section.



Do not install screening or cap over the end of the vent.

Multiple Dryer Venting

- A main vent can be used for venting a group of dryers. The main vent should be sized to remove 200 CFM of air per dryer (min. static pressure of 0.06 inch water column TOTAL). Large-capacity lint screens of proper design may be used in the main vent if checked and cleaned frequently. The room where the dryers are located should have make-up air equal to or greater than the CFM of all the dryers in the room.
- Back-draft Damper Kits, Part No. 3391910, are available from your dealer or distributor and should be installed in the vent of each dryer to prevent exhausted air from returning into the dryers and to keep the exhaust in balance within the main vent. Unobstructed air openings are required.

Each vent should enter the main vent at an angle pointing in the direction of the airflow. Vents entering from the opposite side should be staggered to reduce the exhausted air from interfering with the other vents.

INSTALLATION INSTRUCTIONS – GAS DRYER

Make Gas Connection

⚠ WARNING

Excessive Weight Hazard

**Use two or more people to move and install dryer.
Failure to do so can result in back or other injury.**

1. Remove red cap from gas pipe.
2. Connect gas supply to dryer. Use pipe-joint compound resistant to the action of L.P. gas for gas connections. If flexible metal tubing is used, be certain there are no kinks. If necessary for service, open the toe panel. Use a putty knife to press on the toe panel locks located at the upper corners of the toe panel. Pull downward on the toe panel to open. Toe panel is hinged at the bottom.
3. Open the shutoff valve in the gas supply line.
4. Test all connections by brushing on an approved noncorrosive leak-detection solution. Bubbles will show a leak. Correct any leaks found.

Connect Vent

1. Using a 4" (102 mm) clamp, connect vent to exhaust outlet on rear of dryer. If connecting to existing vent, make sure the vent is clean. The dryer vent must fit over the dryer exhaust outlet and inside the exhaust hood. Make sure the vent is secured to exhaust hood with a 4" (102 mm) clamp.
2. Using two or more people, move dryer to desired installation location. Do not crush or kink vent. Make sure dryer is level.
3. Check that there are no kinks in the flexible gas line.

⚠ WARNING



Electrical Shock Hazard

Plug into a grounded 3 prong outlet.

Do not remove ground prong.

Do not use an adapter.

Do not use an extension cord.

Failure to follow these instructions can result in death, fire, or electrical shock.

Complete Installation

1. With dryer in final position, place level on top of the dryer, first side to side; then front to back. If the dryer is not level, adjust the legs of the dryer up or down until the dryer is level.
2. Using a Torx T20 security driver, open the control panel and rest it on the bottom edge of the opening.
3. For added security between the upper dryer and the collar, insert the cotter pin through the connecting bolt.
4. Close the control panel.
5. Plug into a grounded 3 prong outlet.
6. Check dryer operation.
Select a full heat cycle, let the dryer run for at least five minutes. Dryer will stop when time is used up.
NOTE: Dryer door must be closed for dryer to operate. When door is opened, dryer stops, but time continues to count down. To restart dryer, close door and reselect cycle.
7. If the burner does not ignite and you can feel no heat inside the dryer, shut off dryer for five minutes. Check that all supply valve controls are in "ON" position and that the electrical cord is plugged in. Repeat five-minute test.

INSTALLATION INSTRUCTIONS – ELECTRIC DRYER

Make Electrical Connection

⚠ WARNING

Excessive Weight Hazard

**Use two or more people to move and install dryer.
Failure to do so can result in back or other injury.**

Power Supply Cord Method – U.S. Only

- This dryer is manufactured ready to install with a 3-wire electrical supply connection. The neutral ground conductor is permanently connected to the neutral conductor (white wire) within the dryer. If the dryer is installed with a 4-wire electrical supply connection, the neutral ground conductor must be removed from the external ground connector (green screw), and secured under the neutral terminal (center or white wire) of the terminal block. When the neutral ground conductor is secured under the neutral terminal (center or white wire) of the terminal block, the dryer cabinet is isolated from the neutral conductor.

Power Supply Cord Method – U.S. Only

- If local codes do not permit the connection of a neutral ground wire to the neutral wire, see “Optional 3-wire connection” section.
- A 4-wire power supply connection must be used when the appliance is installed in a location where grounding through the neutral conductor is prohibited. Grounding through the neutral is prohibited for (1) new branch-circuit installations, (2) mobile homes, (3) recreational vehicles, and (4) areas where local codes prohibit grounding through the neutral conductors.

⚠ WARNING



Fire Hazard

Use a new UL listed 30 amp power supply cord.

Use a UL listed strain relief.

Disconnect power before making electrical connections.

Connect neutral wire (white or center wire) to center terminal (silver).

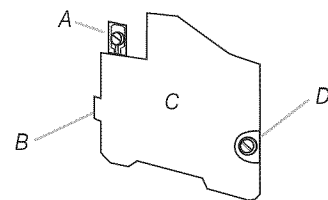
Ground wire (green or bare wire) must be connected to green ground connector.

Connect remaining 2 supply wires to remaining 2 terminals (gold).

Securely tighten all electrical connections.

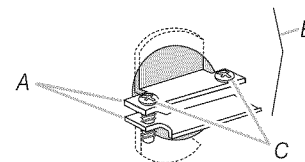
Failure to do so can result in death, fire, or electrical shock.

1. Disconnect power.



A. External ground conductor screw
B. Tab
C. Terminal block cover
D. Hold-down screw

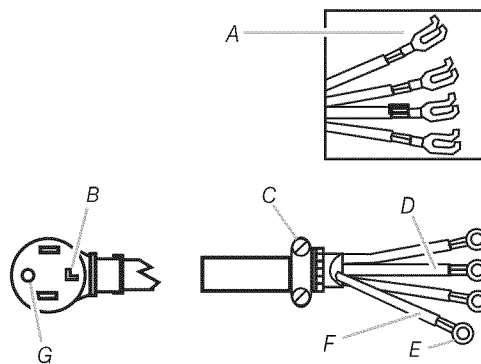
2. Remove hold-down screw and the terminal block cover.
3. Assemble $\frac{3}{4}$ " (19 mm) UL-listed strain relief (UL marking on strain relief) into the hole below the terminal block opening. Tighten strain relief screws just enough to hold the two clamp sections together. Install power supply cord through the strain relief.



A. Strain relief clamp sections
B. Dryer cabinet
C. Strain relief screws

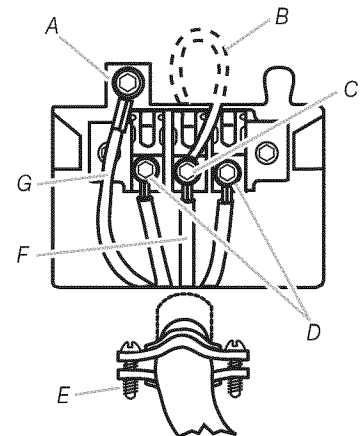
4. Complete installation following instructions for your type of electrical connection:
 - Four-wire (recommended method)
 - Three-wire (if four-wire is not available)

Power Supply Cord, Four-wire electrical connection:



A. Spade terminals with upturned ends
B. Neutral
C. $\frac{3}{4}$ " (19 mm) UL-listed strain relief
D. Neutral (white)
E. Ring terminals
F. Ground wire
G. Ground prong

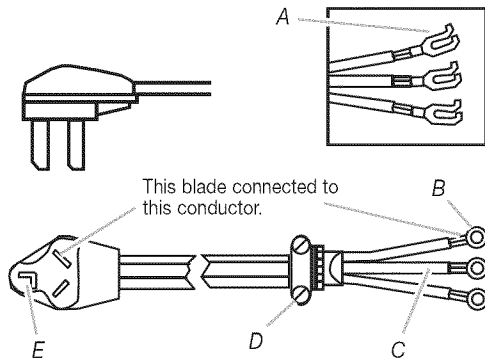
5. Remove the center terminal block screw.
6. Remove the appliance neutral ground wire from the external ground conductor screw. Fasten under center, silver-colored terminal block screw.
7. Connect the ground wire of the power supply cord to the external ground conductor screw. Tighten screw.
8. Connect the neutral wire (white or center) of the power supply cord under the center screw of the terminal block. Tighten screw.
9. Connect the other wires to outer terminal block screws. Tighten screws.
10. Tighten strain relief screws.
11. Insert tab of the terminal block cover into slot of the dryer rear panel. Secure cover with hold-down screw.



A. External ground conductor screw
B. Appliance neutral ground wire
C. Center terminal block screw
D. Outer terminal block screws
E. Strain relief screw
F. Neutral (center wire)
G. Ground wire

Four-wire power supply cord must have four, No. 10 copper wires and match a four-wire receptacle of NEMA Type 14-30R. The fourth wire (ground conductor) must be identified by a green cover and the neutral conductor by a white cover.

**Power Supply Cord,
Three-wire electrical connection:**

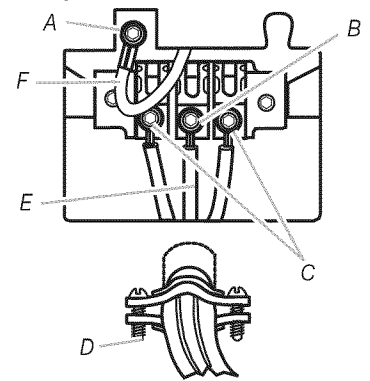


- A. Spade terminals with upturned ends
- B. Ring terminals
- C. Neutral (white or center)
- D. 3/4" (19 mm) UL-listed strain relief
- E. Neutral

Three-wire power supply cord must have three, No. 10 copper wires and match a three-wire receptacle of NEMA Type 10-30R.

Use this method where local codes permit connecting neutral ground wire to neutral wire:

5. Loosen or remove the center terminal block screw.
6. Connect the neutral wire (white or center) of the power supply cord to the center, silver-colored terminal screw of the terminal block. Tighten screw.
7. Connect the other wires to outer terminal block screws. Tighten screws.
8. Tighten strain relief screws.
9. Insert tab of the terminal block cover into slot of the dryer rear panel. Secure cover with hold-down screw.

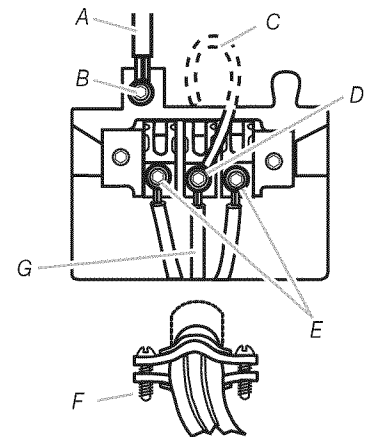


- A. External ground conductor screw
- B. Center terminal block screw
- C. Outer terminal block screws
- D. Strain relief screw
- E. Neutral (center wire)
- F. Appliance neutral ground wire

Use this method where local codes do not permit connecting neutral ground wire to neutral wire:

5. Remove the center terminal block screw.
6. Remove the appliance neutral ground wire from the external ground conductor screw. Connect the appliance neutral ground wire and the neutral wire (white or center) of the power supply cord under the center, silver-colored terminal block screw. Tighten screw.
7. Connect the other wires to outer terminal block screws. Tighten screws.
8. Tighten strain relief screws.
9. Insert tab of the terminal block cover into slot of the dryer rear panel. Secure cover with hold-down screw.
10. After reattaching the terminal cover, connect a separate copper ground wire from the external ground conductor screw to an adequate ground.

If codes permit and a separate ground wire is used, it is recommended that a qualified electrician determine that the ground path is adequate.



- A. Separate copper ground wire
- B. External ground conductor screw
- C. Appliance neutral ground wire
- D. Center terminal block screw
- E. Outer terminal block screws
- F. Strain relief screw
- G. Neutral (center wire)

Direct Wire Method – U.S. Only

⚠ WARNING



Fire Hazard

Use 10 gauge solid copper wire.

Use a UL listed strain relief.

Disconnect power before making electrical connections.

Connect neutral wire (white or center wire) to center terminal (silver).

Ground wire (green or bare wire) must be connected to green ground connector.

Connect remaining 2 supply wires to remaining 2 terminals (gold).

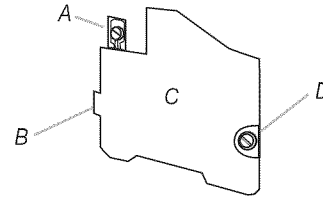
Securely tighten all electrical connections.

Failure to do so can result in death, fire, or electrical shock.

Direct wire cable must match power supply (4-wire or 3-wire) and be:

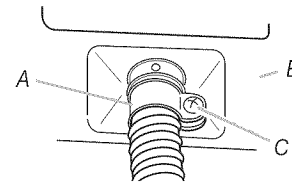
- Flexible armored cable or nonmetallic sheathed copper cable (with ground wire), protected with flexible metallic conduit. All current-carrying wires must be insulated.
- 10-gauge solid copper wire (do not use aluminum).
- At least 5 ft. (1.52 m) long.

1. Disconnect power.
2. Remove hold-down screw and terminal block cover.



A. External ground conductor screw
B. Tab
C. Terminal block cover
D. Hold-down screw

3. Install $\frac{3}{4}$ " conduit connector into the hole below the terminal block opening. Connect flexible metallic conduit and tighten connector screw. Install direct wire cable through the flexible metallic conduit.

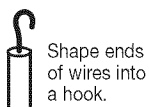
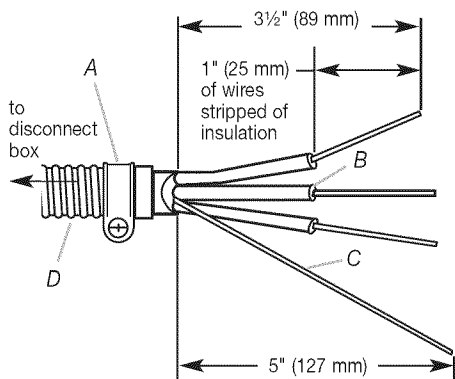


A. Conduit connector
B. Dryer cabinet
C. Connector screw

4. Complete installation following instructions for your type of electrical connection:

- Four-wire (recommended method)
- Three-wire (if four-wire is not available)

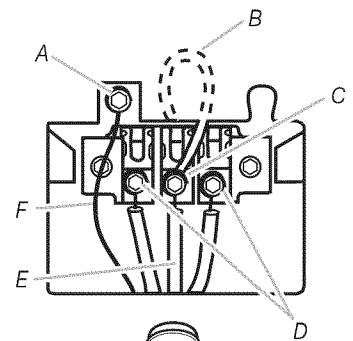
Direct Wire, Four-wire electrical connection:



Strip 5" (127 mm) of outer covering from end of cable. Leave green or bare ground wire at 5" (127 mm). Cut 1½" (38 mm) from 3 remaining wires. Strip insulation back 1" (25 mm).

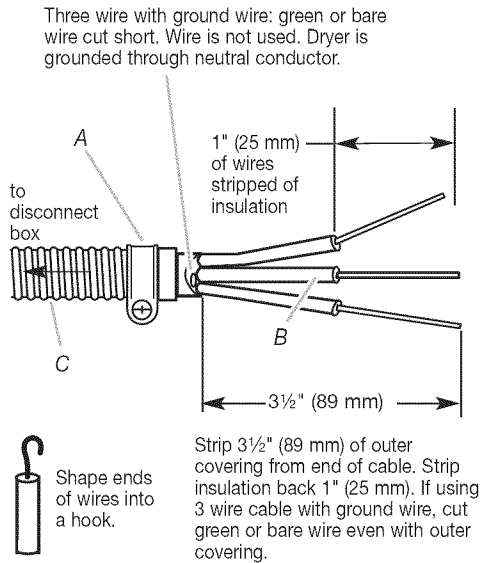
- A. ¾" (19 mm) conduit connector
B. Neutral (white or center)
C. Ground wire (green or bare)
D. 10-gauge, 3 wire with ground wire in flexible metallic conduit

5. Remove the center terminal block screw.
6. Remove the appliance neutral ground wire from the external ground conductor screw. Fasten under center, silver-colored terminal block screw.
7. Connect the ground wire (green or bare) of the direct wire cable to the external ground conductor screw. Tighten screw.
8. Place the hooked end of the neutral wire (white or center) of the direct wire cable under the center screw of the terminal block (hook facing right). Squeeze hook end together. Tighten screw.
9. Place the hooked ends of the other direct wire cable wires under the outer terminal block screws (hook facing right). Squeeze hooked ends together. Tighten screws.
10. Insert tab of the terminal block cover into slot of the dryer rear panel. Secure cover with hold-down screw.



A. External ground conductor screw
B. Appliance neutral ground wire
C. Center terminal block screw
D. Outer terminal block screws
E. Neutral (center wire)
F. Green or bare ground wire

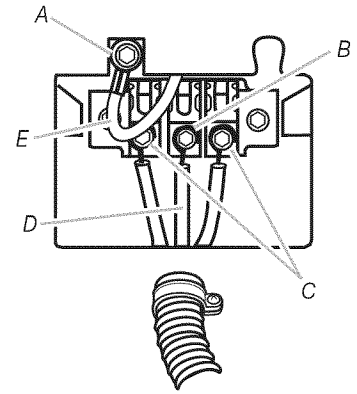
**Direct Wire,
Three-wire electrical connection:**



- A. 3/4" (19 mm) conduit connector
- B. Neutral (white or center)
- C. 10-gauge, 3 wire with ground wire in flexible metallic conduit

Use this method where local codes permit connecting neutral ground wire to neutral wire:

5. Loosen or remove the center terminal block screw.
6. Place the hooked end of the neutral wire (white or center) of the direct wire cable under the center screw of the terminal block (hook facing right). Squeeze hooked end together. Tighten screw.
7. Place the hooked ends of the other direct wire cable wires under the outer terminal block screws (hook facing right). Squeeze hooked ends together. Tighten screws.
8. Insert tab of the terminal block cover into slot of the dryer rear panel. Secure cover with hold-down screw.

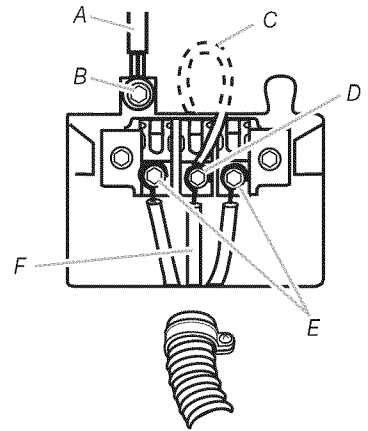


- A. External ground conductor screw
- B. Center terminal block screw
- C. Outer terminal block screws
- D. Neutral (center wire)
- E. Appliance neutral ground wire

Use this method where local codes do not permit connecting neutral ground wire to neutral wire:

5. Remove the center terminal block screw.
6. Remove the appliance neutral ground wire from the external ground conductor screw. Connect the appliance neutral ground wire and the neutral wire (white or center) of the direct wire cable under the center, silver-colored terminal block screw. Tighten screw.
7. Connect the other wires to outer terminal block screws. Tighten screws.
8. Insert tab of the terminal block cover into slot of the dryer rear panel. Secure cover with hold-down screw.
9. After reattaching the terminal cover, connect a separate copper ground wire from the external ground connector screw to an adequate ground.

If codes permit and a separate ground wire is used, it is recommended that a qualified electrician determine that the ground path is adequate.



- A. Separate copper ground wire
- B. External ground conductor screw
- C. Appliance neutral ground wire
- D. Center terminal block screw
- E. Outer terminal block screws
- F. Neutral (center wire)

Connect Vent

1. Using a 4" (102 mm) clamp, connect vent to exhaust outlet in dryer. If connecting to existing vent, make sure the vent is clean. The dryer vent must fit over the dryer exhaust outlet and inside the exhaust hood. Make sure the vent is secured to exhaust hood with a 4" (102 mm) clamp.
2. Using two or more people, move dryer to desired installation location. Do not crush or kink vent. Make sure dryer is level.

Complete Installation

1. With dryer in final position, place level on top of the dryer, first side to side; then front to back. If the dryer is not level, adjust the legs of the dryer up or down until the dryer is level.
2. Using a Torx T20 security driver, open the control panel and rest it on the bottom edge of the opening.

3. For added security between the upper dryer and the collar, insert the cotter pin through the connecting bolt.
4. Close the control panel.
5. Plug in dryer or reconnect power.
6. Check dryer operation.

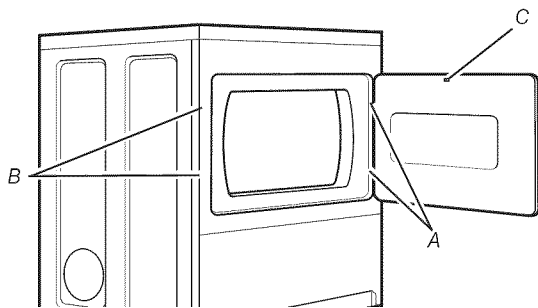
Select a full heat cycle, let the dryer run for at least five minutes. Dryer will stop when time is used up.

NOTE: Dryer door must be closed for dryer to operate. When door is opened, dryer stops, but time continues to count down. To restart dryer, close door and reselect cycle.

7. Now start the dryer and allow it to complete a full heat cycle to make sure it is working properly.

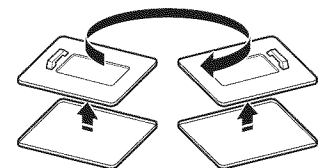
REVERSING THE DOOR SWING (OPTIONAL)

You can change your door swing from a right-side opening to a left-side opening, if desired.

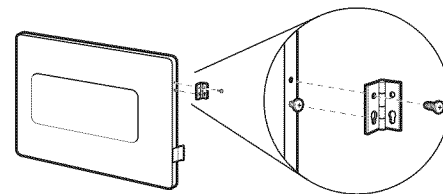


1. Open dryer door. Remove bottom screws from cabinet side of hinges (A). Loosen (do not remove) top screws from cabinet side of hinges.
2. Lift door until top screws in cabinet are in large part of hinge slot. Pull door forward off screws. Remove top screws from cabinet.
3. Remove screws attaching hinges to door.
4. Remove screws from all sides of door (5 screws). Grasp sides of outer door and gently lift to separate it from inner door (do not pry apart). Do not pull on door seal or plastic door catch.

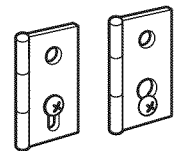
5. Reattach outer door panel to inner door panel so handle is on the side where hinges were just removed.



6. Attach door hinges to dryer door so that the larger hole is at the bottom of the hinge and the hinge pin is toward the door front.



7. Remove the 4 screws that attach 2 plugs (B) on the handle side. Attach plugs to opposite side using the same 4 screws.
8. Insert screws into bottom holes on left side of cabinet. Tighten screws halfway. Position door so large end of door hinge slot is over screws. Slide door up so screws are in bottom of slots. Tighten screws. Insert and tighten top screws in hinges.
9. Close door and check that door strike aligns with door catch (C).



MAINTENANCE INSTRUCTIONS

Maintenance instructions:

- Clean lint screen after each cycle.
- Removing accumulated lint:
 - From inside the dryer cabinet:

Lint should be removed every 2 years or more often, depending on dryer usage. Cleaning should be done by a qualified person.
 - From the exhaust vent:

Lint should be removed every 2 years, or more often, depending on dryer usage.
- Keep area around dryer clear and free from combustible materials, gasoline and other flammable vapors and liquids.
- Keep dryer area clear and free from items that would obstruct the flow of combustion and ventilation air.

If dryer does not operate, check the following:

- Electrical supply is connected.
- Circuit breaker is not tripped or house fuse is not blown.
- Door is closed.
- Controls are set in a running or "ON" position.
- Cycle has been selected.
- For gas dryers, check that gas supply shutoff valves are set in open position.

If you need assistance:


The Commercial Laundry Support Center will answer any questions about operating or maintaining your dryer not covered in the Installation Instructions. Just dial 1-800 NO BELTS (1-800-662-3587) — the call is toll free.

When you call, you will need the dryer model number and serial number. Both numbers can be found on the serial-rating plate located in the dryer door well.

ELECTRONIC CONTROL SETUP

BASIC OPERATION OF COMMERCIAL WASHER

- For additional information, see www.MaytagCommercialLaundry.com

⚠ WARNING	
	Electrical Shock Hazard Disconnect power before servicing. Replace all parts and panels before operating. Failure to do so can result in death or electrical shock.

IMPORTANT Electrostatic Discharge (ESD) Sensitive Electronics
ESD problems are present everywhere. ESD may damage or weaken the electronic control assembly. The new control assembly may appear to work well after repair is finished, but failure may occur at a later date due to ESD stress.
■ Use an anti-static wrist strap. Connect wrist strap to green ground connection point or unpainted metal in the appliance
-OR-
Touch your finger repeatedly to a green ground connection point or unpainted metal in the appliance.
■ Before removing the part from its package, touch the anti-static bag to a green ground connection point or unpainted metal in the appliance.
■ Avoid touching electronic parts or terminal contacts; handle electronic control assembly by edges only.
■ When repackaging failed electronic control assembly in anti-static bag, observe above instructions.

GENERAL USER INFORMATION

Blank display

This condition indicates the appliance is inoperative. Enter set-up mode to view diagnostic code.

'0 Minutes' showing in display

This condition indicates the appliance cannot be operated. Coins dropped or debit inputs during this condition will be stored in escrow but cannot be used until normal operation is restored by opening and closing the door. If a door switch fails, it must be replaced before normal operation can be restored.

Cold Start (initial first use)

Appliance is programmed at the factory as follows:

- 5 minutes dry time/quarter (coin 1).
- \$1.50 dry price (fixed cycle with top off - PD Models).
- \$0.00 dry price (fixed cycle - PR Models).

Warm Start (after power failure)

A few seconds after power is restored, if a cycle was in progress at the time of the power failure, 'RESELECT CYCLE' will flash in the display. This is to indicate the need for a fabric setting key pad to be pressed to restart dryer.

Pricing

After the door is opened following the completion of a cycle, the display indicates the cycle price (unless set for free operation). As coins or debit inputs arrive, the display will change to lead the user through the initiation of a cycle.

There are four (4) types of pricing:

Fixed 'Vend' Pricing

A dryer set up for 'Fixed Cycle' operation can only accept additional time accumulated by increments equal to the length of a complete dry cycle. A maximum of 99 minutes may be purchased; no additional credit is given when 99 minutes is in the display.

Accumulator Pricing

If the price is set to one coin 1, then accumulator mode is in effect (stacked PD models also require Fixed Cycle with Top Off option to be selected). Cycle time can be purchased one coin at a time (PD models) up to the maximum time of 99 minutes. Stacked PD machines will credit all money to a cycle with a single button press while in accumulator pricing.

Fixed Cycle With Top Off Pricing

A dryer set to offer 'Top Off' capability will allow time to be added to an existing dry cycle in increments equal to the number of minutes of dry time per quarter (coin 1), up to 99 minutes, regardless of the cost required to start the machine. No credit is given for coins or debit inputs entered when the control is displaying 99 minutes.

PR Models: In Enhanced Debit Mode, the top off price can be set independently. (See VALUE OF COIN 2), and the top off time is calculated according to the following equation:

$$\frac{\text{top off price}}{\text{full cycle price}} = \frac{\text{top off time}}{\text{full cycle length}}$$

Penny increment offset is not applied to top off purchases.

Free Cycles

This is established by setting the cycle price to zero. When this happens, 'SELECT CYCLE' will appear rather than a cycle price. Any cycle started as a free cycle will automatically terminate when the door is opened.

Debit Card Ready

This appliance is debit card 'cable' ready. It will accept a variety of debit card systems; but, does NOT come with a debit card reader. Refer to the debit card reader manufacturer for proper machine set-up. In models converted to a Generation 1 debit card system, debit pulses represent the equivalent of one coin (coin 1).

CONTROL SET-UP PROCEDURES

IMPORTANT: Read all instructions before operating.

The fabric setting key pads along with the digital display are used to set-up the dryer controls.

The display can contain 4 numbers and/or letters and a decimal point. These are used to indicate the set-up codes and related code values available for use in programming the appliance.

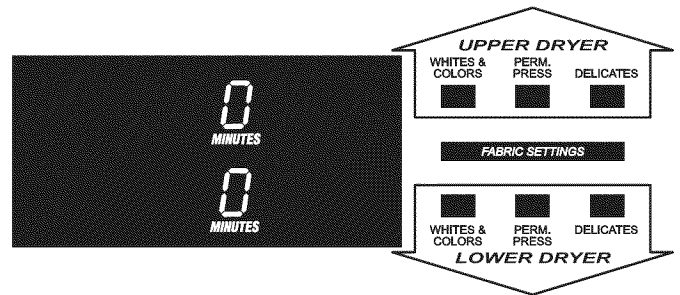
How to use the key pads to program the controls

1. The WHITES AND COLORS key pad is used to adjust the values associated with set-up codes. Pressing the key pad will increment the value by one (1). Rapid adjustment is possible by holding the key pad down.
2. The PERM. PRESS key pad will advance you through the set-up codes. Pressing the key pad will advance you to the next available set-up code. Holding the key pad down will automatically advance through the set-up codes at a rate of one (1) per second.
3. The DELICATES key pad is used to select or deselect options.

DISPLAY

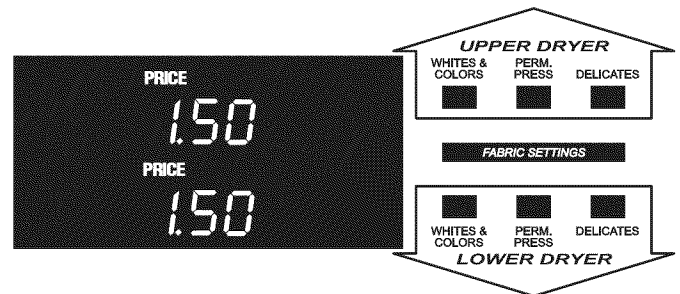
After the dryer has been installed and plugged in, the display will show '0 minutes.'

Stacked PR Models



Once the unit has been plugged in and the dryer door opened and closed, the display will show the price. In PR and PN models set for free cycles, the display will flash 'SELECT CYCLE' (not shown).

Stacked PD Models



IMPORTANT: The console must not be opened unless power is first removed from the dryer. To access connector AA1:

- Unplug dryer or disconnect power.
- Open console, disconnect plug on AA1, close console.
- Plug in dryer or reconnect power.

- Stacked PD Models: Insert access panel key and turn counter-clockwise.
- Stacked PR Models: Once the debit card reader is installed (according to the reader manufacturer's instructions), the set-up mode can be entered by inserting a manual set-up card (supplied by the reader manufacturer) into the card slot.

If manual set-up card is not available, manual set-up mode can be entered by turning the access panel key.

The dryer is now in the set-up mode.

Before proceeding it is worth noting that, despite all the options available, an owner can simply choose to uncrate a new commercial machine, hook it up, plug it in, and have a unit which operates.

- PD units are pre-set at the factory for fixed cycle price with top off.
- PR units are pre-set for free cycle operation so they can be run without readers or coins.

SET-UP CODES

- The PERM.PRESS key pad will advance you from code to code.
- The WHITE AND COLORS key pad will change the code value.
- The DELICATES key pad will select or deselect options.

FOR PR MODELS: The set-up codes are the same as for the PD models except where noted.

NOTE: On all stacked dryer models, programming selections apply to both dryers. Stacked dryer selections are accessed by pressing the LOWER DRYER key pads.

The set-up code is indicated by the one or two left-hand characters. The set-up code value is indicated by the two or three right-hand characters.

CODE	EXPLANATION
<u>606</u>	REGULAR CYCLE PRICE
<u>606</u>	Represents the number of quarters (coin 1); may adjust from 0-39. (See VALUE OF COIN 1 b. 05) Advance from 0-39 by pressing the WHITES AND COLORS key pad. Factory preset for 6 quarters = \$1.50. PR MODELS ONLY: Factory preset for 0 quarters. → Press the PERM. PRESS key pad once to advance to next code.
<u>705</u>	REGULAR DRY TIME
<u>705</u>	Represents the number of minutes per quarter (coin 1). Factory preset for 5 minutes per coin. Example: 6 quarters x 5 minutes = 30 minutes. By pressing the WHITES AND COLORS key pad, you can adjust the value from 1-99 minutes. → Press the PERM. PRESS key pad once to advance to next code.
<u>800</u>	TYPE OF DRYER PRICING
<u>800</u>	Fixed Cycle with Top Off. For detailed description, see General User Information.
<u>8FC</u>	Fixed Cycle. For detailed description, see General User Information. Use DELICATES key pad to make this selection. PR MODELS ONLY: Factory set for FC.
<u>900</u>	CYCLE COUNTER OPTION This option is either SELECTED 'ON' or NOT SELECTED 'OFF'.
<u>900</u>	Not Selected 'OFF'.
<u>90C</u>	Selected 'ON' and not able to be deselected. Press DELICATES key pad 3 consecutive times to select 'ON'. Once selected 'ON' it cannot be deselected. → Press the PERM. PRESS key pad once to advance to next code.

CODE	EXPLANATION
<u>100</u>	MONEY COUNTER OPTION This option is either SELECTED 'ON' or NOT SELECTED 'OFF'.
<u>100</u>	Not Selected 'OFF'.
<u>10C</u>	Selected 'ON'. Press the DELICATES key pad 3 consecutive times to select 'ON' and 3 consecutive times to remove (Not Selected 'OFF'.) Counter resets by going from 'OFF' to 'ON'.
<u>1C0</u>	Selected 'ON' and not able to be deselected. To select 'ON' and not able to be deselected, first select 'ON', then within two seconds press the DELICATES key pad twice, the WHITES AND COLORS key pad once, and exit the set-up mode. → Press the PERM. PRESS key pad once to advance to next code.
<u>200</u>	SPECIAL PRICING OPTION This option is either SELECTED 'ON' or NOT SELECTED 'OFF'.
<u>200</u>	Not Selected 'OFF'.
<u>25P</u>	Selected 'ON'. Press the DELICATES key pad once for this selection. If SPECIAL PRICING OPTION is selected, you have access to codes '3.' through '9.' → Press the PERM. PRESS key pad once to advance to next code.

OPTIONS TO USE IF SPECIAL PRICING IS SELECTED:	
<u>306</u>	SPECIAL CYCLE PRICE
<u>306</u>	Represents the number of quarters (coin 1); may adjust from 0-39. (See VALUE OF COIN 1 b.05) Advance from 0-39 by pressing the WHITES AND COLORS. Factory preset for 6 quarters = \$1.50. PR MODELS ONLY: Factory preset for 0 quarters. → Press the PERM. PRESS key pad once to advance to next code.
<u>405</u>	SPECIAL DRY TIME
<u>405</u>	Represents the number of minutes per quarter (coin 1). Factory preset for 5 minutes per coin. Example: 6 quarters x 5 minutes = 30 minutes. By pressing the WHITES AND COLORS key pad, you can adjust the value from 1-99 minutes. → Press the PERM. PRESS key pad once to advance to next code.
<u>500</u>	TIME-OF-DAY CLOCK, MINUTES
<u>500</u>	This is the TIME-OF-DAY CLOCK, minute setting; select 0-59 minutes by pressing the WHITES AND COLORS key pad. → Press the PERM. PRESS key pad once to advance to next code.
<u>600</u>	TIME-OF-DAY CLOCK, HOURS NOTE: Uses military time-24 hr. clock.
<u>600</u>	This is the TIME-OF-DAY CLOCK, hour setting; select 0-23 hours by pressing the WHITES AND COLORS key pad. → Press the PERM. PRESS key pad once to advance to next code.

CODE	EXPLANATION																								
OPTIONS TO USE IF SPECIAL PRICING IS SELECTED (continued):																									
<u>7.00</u>	SPECIAL PRICE START HOUR NOTE: Uses military time-24 hr. clock.																								
<u>7.00</u>	This is the start hour, 0-23 hours. Select START HOUR by pressing the WHITES AND COLORS key pad. → Press the PERM. PRESS key pad once to advance to next code.																								
<u>8.00</u>	SPECIAL PRICE STOP HOUR NOTE: Uses military time-24 hr. clock.																								
<u>8.00</u>	This is the stop hour, 0-23 hours. Select STOP HOUR by pressing the WHITES AND COLORS key pad. → Press the PERM. PRESS key pad once to advance to next code.																								
<u>9.10</u>	SPECIAL PRICE DAY																								
<u>9.10</u>	This represents the day of the week and whether special pricing is selected for that day. A number followed by '0' indicates no selection that particular day (9.10). A number followed by an 'S' indicates selected for that day (9.1S). Days of the week (1-7) can be chosen by pressing the WHITES AND COLORS key pad. Press DELICATES key pad once to select special pricing for each day chosen. When exiting setup code '9.', the display must show current day of week: <table border="1" style="margin-left: 40px;"> <thead> <tr> <th>DISPLAY</th> <th>DAY OF WEEK</th> <th>CODE (selected)</th> </tr> </thead> <tbody> <tr> <td>10</td> <td>Day 1 = Sunday</td> <td>1S</td> </tr> <tr> <td>20</td> <td>Day 2 = Monday</td> <td>2S</td> </tr> <tr> <td>30</td> <td>Day 3 = Tuesday</td> <td>3S</td> </tr> <tr> <td>40</td> <td>Day 4 = Wednesday</td> <td>4S</td> </tr> <tr> <td>50</td> <td>Day 5 = Thursday</td> <td>5S</td> </tr> <tr> <td>60</td> <td>Day 6 = Friday</td> <td>6S</td> </tr> <tr> <td>70</td> <td>Day 7 = Saturday</td> <td>7S</td> </tr> </tbody> </table> → Press the PERM. PRESS key pad once to advance to next code.	DISPLAY	DAY OF WEEK	CODE (selected)	10	Day 1 = Sunday	1S	20	Day 2 = Monday	2S	30	Day 3 = Tuesday	3S	40	Day 4 = Wednesday	4S	50	Day 5 = Thursday	5S	60	Day 6 = Friday	6S	70	Day 7 = Saturday	7S
DISPLAY	DAY OF WEEK	CODE (selected)																							
10	Day 1 = Sunday	1S																							
20	Day 2 = Monday	2S																							
30	Day 3 = Tuesday	3S																							
40	Day 4 = Wednesday	4S																							
50	Day 5 = Thursday	5S																							
60	Day 6 = Friday	6S																							
70	Day 7 = Saturday	7S																							
<u>9.00</u>	VAULT VIEWING OPTION This option is either SELECTED 'ON' or NOT SELECTED 'OFF'.																								
<u>9.00</u>	Not Selected 'OFF'.																								
<u>9.5C</u>	Selected 'ON'. Press DELICATES key pad once for this selection. When selected, the money and/or cycle counts will be viewable (if counting is selected) when the coin box is removed. → Press the PERM. PRESS key pad once to advance to next code.																								
<u>6.05</u>	VALUE OF COIN 1																								
<u>6.05</u>	This represents the value of coin 1 in number of nickels: 05 = \$0.25. By pressing the WHITES AND COLORS key pad you have the option of 1-199 nickels. → Press the PERM. PRESS key pad once to advance to next code.																								
<u>6.20</u>	VALUE OF COIN 2																								
<u>6.20</u>	This represents the value of coin 2 in number of nickels: 20 = \$1.00. By pressing the WHITES AND COLORS key pad you have the option of 1-199 nickels. PR MODELS ONLY: For PR models using Enhanced Debit, this field represents the value of top off in nickels PR MODELS: Factory preset for \$0.25. → Press the PERM. PRESS key pad once to advance to next code.																								

CODE	EXPLANATION
<u>d.00</u>	COIN SLIDE OPTION This option is either SELECTED 'ON' or NOT SELECTED 'OFF'.
<u>d.00</u>	Not Selected 'OFF'.
<u>d.5C</u>	Selected 'ON'. Press the DELICATES key pad 3 consecutive times for this selection. When coin slide mode is selected, set 'b.' equal to value of slide in nickels. Set '606' (REGULAR CYCLE PRICE) and '3.06' (SPECIAL CYCLE PRICE) to number of slide operations. NOTE: If the installer sets up 'CS' on a coin drop model, it will not register coins. → Press the PERM. PRESS key pad once to advance to next code.
<u>E.00</u>	ADD COINS OPTION This option is either SELECTED 'ON' or NOT SELECTED 'OFF'. This option causes the customer display to show the number of coins (coin 1) to enter, rather than the dollars-and-cents amount.
<u>E.00</u>	Not Selected 'OFF'.
<u>E.8C</u>	Selected 'ON'. Press the DELICATES keypad 3 consecutive times for this selection. PR MODELS ONLY: In enhanced debit mode, this option is not selectable. → Press the PERM. PRESS key pad once to advance to next code.
<u>J.Cd</u>	COIN/DEBIT OPTION
<u>J.Cd</u>	Both coin & debit selected.
<u>J.C_</u>	Coins selected, debit disabled. Press DELICATES key pad for this selection.
<u>J._d</u>	Debit Card selected, coins disabled. Press DELICATES key pad for this selection.
<u>J.Ed</u>	Enhanced Debit is self-selected when a Generation 2 card reader is installed in the dryer. The 'Ed' option cannot be manually selected or deselected. → Press the PERM. PRESS key pad once to advance to next code.
<u>L.00</u>	PRICE SUPPRESSION OPTION This option is either SELECTED 'ON' OR NOT SELECTED 'OFF'. This option causes the customer display to show 'AVAILABLE' or 'ADD' rather than the amount of money to add. (Used mainly in debit installations.)
<u>L.00</u>	Not Selected 'OFF'.
<u>L.P5</u>	Selected 'ON'. Press the DELICATES key pad for this selection. → Press the PERM. PRESS key pad once to advance to next code.
<u>n.CE</u>	CLEAR ESCROW OPTION This option is either SELECTED 'ON' OR NOT SELECTED 'OFF'. When selected, money held in escrow for 30 minutes without further escrow or cycle activity will be cleared.
<u>n.CE</u>	Selected 'ON'.
<u>n.00</u>	Not selected 'OFF'. Press the DELICATES key pad once for this selection. → Press the PERM. PRESS key pad once to advance to next code.
<u>U.00</u>	PENNY INCREMENT OFFSET
<u>U.00</u>	This represents the penny increment price offset used in Generation 2 (Enhanced Debit) PR models. Choose from 0-4 pennies by pressing the WHITES AND COLORS key pad. → Press the PERM. PRESS key pad once to advance to next code.

If cycle counter (9.0C) is selected, the following is true:

100 Represents the number of cycles in HUNDREDS. $1 \underline{02} = 200$
 200 Represents the number of cycles in ONES. $2 \underline{25} = 25$
 TOTAL = 225
 cycles

This is "VIEW ONLY" and cannot be cleared.

Press the PERM. PRESS key pad once to advance to next code.

If money counter (1.0C or 1.C0) is selected, the following is true:

300 Number of dollars in HUNDREDS. $3 \underline{01} = \$100.00$
 400 Number of dollars in ONES. $4 \underline{68} = \$ 68.00$
 500 Number of CENTS. $5 \underline{75} = \$ 00.75$
 TOTAL = \$168.75

END OF SET-UP PROCEDURES

EXIT FROM SET-UP MODE

- STACKED MODELS: Turn access panel key back to original position.

DIAGNOSTIC GUIDE

If the set-up mode is entered and one of the following has occurred, the appropriate diagnostic code will be in the display.

STACKED DRYERS

CODE		EXPLANATION
<i>d 1</i>	<i>F - 01</i>	Invalid dryer door circuit state state - Sahara control does not differentiate between invalid state and open door state.
<i>d 4</i>	<i>F - 01</i>	CCU error - Sahara control will send this error when the motor feedback circuit is sensing voltage with the door open or when the motor shouldn't be on. The control doesn't know if the relay is bad (stuck on), the relay drive circuit is bad (shorted causing the motor relay to stay on), or the relay feedback circuit is bad.
<i>d 9</i>	<i>d 9</i>	Low voltage
		CCU error - Sahara control will send this error when the motor feedback circuit is sensing voltage with the door open or when the motor shouldn't be on. The control doesn't know if the relay is bad (stuck on), the relay drive circuit is bad (shorted causing the motor relay to stay on), or the relay feedback circuit is bad.
<i>d 12</i>	<i>F - 01</i>	Coin 2 Failure
<i>d 13</i>	<i>d 13</i>	Upper dryer motor sense circuit error on control board or due to power line interference (upper dryer cycles and upper dryer display disabled until diagnostic code is manually cleared).
<i>d 16</i>	<i>d 16</i>	Gen 2 Debit Card
<i>d 17</i>	<i>d 17</i>	Lower dryer door sense error on control board or due to power line interference (lower dryer cycles and lower dryer display disabled until diagnostic code is manually cleared).
<i>d 20</i>	<i>d 20</i>	Upper dryer motor control circuit error (upper dryer cycles and upper dryer display disabled until diagnostic code is manually cleared).

MAYTAG COMMERCIAL WASHER, DRYER, STACKED DRYER/ DRYER, COMMERCIAL STACK LAUNDRY, AND MULTI-LOAD COIN OPERATED COMMERCIAL WASHERS AND DRYERS WARRANTY

LIMITED WARRANTY ON PARTS

For the first five years from the date of purchase, when this commercial appliance is installed, maintained and operated according to the instructions attached to or furnished with the product, Maytag brand of Whirlpool Corporation (hereafter "Maytag") will pay for factory specified parts or original equipment manufacturer parts to correct defects in materials or workmanship. Proof of original purchase date is required to obtain service under this warranty.

ITEMS MAYTAG WILL NOT PAY FOR

1. All other costs including labor, transportation, or custom duties.
 2. Service calls to correct the installation of your commercial appliance, to instruct you how to use your commercial appliance, to replace or repair fuses, or to correct external wiring or plumbing.
 3. Repairs when your commercial appliance is used for other than normal, commercial use.
 4. Damage resulting from improper handling of product during delivery, theft, accident, alteration, misuse, abuse, fire, flood, acts of God, improper installation, installation not in accordance with local electrical or plumbing codes, or use of products not approved by Maytag.
 5. Pickup and Delivery. This commercial appliance is designed to be repaired on location.
 6. Repairs to parts or systems resulting from unauthorized modifications made to the commercial appliance.
 7. The removal and reinstallation of your commercial appliance if it is installed in an inaccessible location or is not installed in accordance with published installation instructions.
 8. Chemical damage is excluded from all warranty coverage.
 9. Changes to the building, room, or location needed in order to make the commercial appliance operate correctly.
-

DISCLAIMER OF IMPLIED WARRANTIES; LIMITATIONS OF REMEDIES

CUSTOMER'S SOLE AND EXCLUSIVE REMEDY UNDER THIS LIMITED WARRANTY SHALL BE PRODUCT REPAIR AS PROVIDED HEREIN. IMPLIED WARRANTIES, INCLUDING WARRANTIES OF MERCHANTABILITY OR FITNESS FOR A PARTICULAR PURPOSE, ARE LIMITED TO ONE YEAR OR THE SHORTEST PERIOD ALLOWED BY LAW. WHIRLPOOL SHALL NOT BE LIABLE FOR INCIDENTAL OR CONSEQUENTIAL DAMAGES. SOME STATES AND PROVINCES DO NOT ALLOW THE EXCLUSION OR LIMITATION OF INCIDENTAL OR CONSEQUENTIAL DAMAGES, OR LIMITATIONS ON THE DURATION OF IMPLIED WARRANTIES OF MERCHANTABILITY OR FITNESS, SO THESE EXCLUSIONS OR LIMITATIONS MAY NOT APPLY TO YOU. THIS WARRANTY GIVES YOU SPECIFIC LEGAL RIGHTS AND YOU MAY ALSO HAVE OTHER RIGHTS, WHICH VARY FROM STATE TO STATE OR PROVINCE TO PROVINCE.

If you need service, please contact your authorized Maytag Commercial Laundry distributor. To locate your authorized Maytag Commercial Laundry distributor, or for web inquiries, visit www.MaytagCommercialLaundry.com.

9/07

For written correspondence:
Maytag Commercial Laundry Service Department
2000 M-63 North
Benton Harbor, Michigan 49085 USA

SÉCURITÉ DE LA SÈCHEUSE

Votre sécurité et celle des autres est très importante.

Nous donnons de nombreux messages de sécurité importants dans ce manuel et sur votre appareil ménager. Assurez-vous de toujours lire tous les messages de sécurité et de vous y conformer.



Voici le symbole d'alerte de sécurité.

Ce symbole d'alerte de sécurité vous signale les dangers potentiels de décès et de blessures graves à vous et à d'autres.

Tous les messages de sécurité suivront le symbole d'alerte de sécurité et le mot "DANGER" ou "AVERTISSEMENT". Ces mots signifient :

⚠ DANGER

Risque possible de décès ou de blessure grave si vous ne suivez pas immédiatement les instructions.

⚠ AVERTISSEMENT

Risque possible de décès ou de blessure grave si vous ne suivez pas les instructions.

Tous les messages de sécurité vous diront quel est le danger potentiel et vous disent comment réduire le risque de blessure et ce qui peut se produire en cas de non-respect des instructions.



AVERTISSEMENT - "Risque d'incendie"

- L'installation de la sècheuse à linge doit être effectuée par un installateur qualifié.
- Installer la sècheuse conformément aux instructions du fabricant et aux codes locaux.
- Ne pas installer de sècheuse à linge avec des matériaux d'évacuation en plastique souple. Si un conduit métallique souple (de type papier d'aluminium) est installé, celui-ci doit être d'un type spécifique identifié par le fabricant de l'appareil et convenir à une utilisation avec les sècheuses à linge. Les matériaux d'évacuation souples sont connus pour s'affaisser, être facilement écrasés et bloquer la charpie. Ces situations obstrueront le débit d'air de la sècheuse à linge et augmenteront le risque d'incendie.
- Pour réduire le risque de blessure grave ou de décès, suivre toutes les instructions d'installation.
- Conserver ces instructions.

AVERTISSEMENT : Pour votre sécurité, les renseignements dans ce manuel doivent être observés pour réduire au minimum les risques d'incendie ou d'explosion ou pour éviter des dommages au produit, des blessures ou un décès.

- Ne pas entreposer ou utiliser de l'essence ou d'autres vapeurs ou liquides inflammables à proximité de cet appareil ou de tout autre appareil électroménager.
- **QUE FAIRE DANS LE CAS D'UNE ODEUR DE GAZ :**
 - Ne pas tenter d'allumer un appareil.
 - Ne pas toucher à un commutateur électrique; ne pas utiliser le téléphone se trouvant sur les lieux.
 - Évacuer tous les gens de la pièce, de l'édifice ou du quartier.
 - Appeler immédiatement le fournisseur de gaz d'un téléphone voisin. Suivre ses instructions.
 - À défaut de joindre votre fournisseur de gaz, appeler les pompiers.
- L'installation et l'entretien doivent être effectués par un installateur qualifié, une agence de service ou le fournisseur de gaz.

AVERTISSEMENT : L'odorat ne permet pas toujours la détection d'une fuite de gaz.

Les distributeurs de gaz recommandent l'emploi d'un détecteur de gaz (homologation UL ou CSA).

Pour d'autre information, contacter le fournisseur de gaz local.

En cas de détection d'une fuite de gaz, exécuter les instructions "Que faire dans le cas d'une odeur de gaz".

IMPORTANT : L'installation du gaz doit se conformer aux codes locaux, ou en l'absence de codes locaux, au code canadien d'installation B149.1 du gaz naturel ou du propane.

La sècheuse doit être électriquement reliée à la terre conformément aux codes locaux, ou en l'absence de codes locaux, au Code canadien de l'électricité, CSA C22.1.

Dans l'État du Massachusetts, les instructions d'installation suivantes sont applicables :

- Les travaux d'installation et réparation doivent être exécutés par un plombier ou tuyauteur qualifié ou licencié, ou par le personnel qualifié d'une entreprise licenciée par l'État du Massachusetts.
- Si une vanne à boisseau sphérique est utilisée, elle doit comporter une manette "T".
- Si un conduit de raccordement flexible est utilisé, sa longueur ne doit pas dépasser 3 pi.

IMPORTANTES INSTRUCTIONS DE SÉCURITÉ

AVERTISSEMENT : Pour réduire le risque d'incendie, de choc électrique ou de blessure lors de l'utilisation de la sècheuse, il convient d'observer certaines précautions élémentaires dont les suivantes :

- Lire toutes les instructions avant d'utiliser la sècheuse.
- Ne pas placer des articles exposés aux huiles de cuisson dans votre sècheuse. Les articles contaminés par des huiles de cuisson peuvent contribuer à une réaction chimique qui pourrait causer à la charge de s'enflammer.
- Ne pas faire sécher dans la machine des articles qui ont déjà été nettoyés, lavés, imbibés, ou tachés d'essence, de solvants pour nettoyage à sec, d'autres substances inflammables, ou de substances explosives puisqu'elles dégagent des vapeurs qui peuvent provoquer un incendie ou une explosion.
- Ne pas permettre à des enfants de jouer sur ou à l'intérieur de la sècheuse. Une surveillance étroite est nécessaire lorsque la sècheuse est utilisée près d'eux.
- Avant d'enlever la sècheuse du service ou la jeter, enlever la porte du compartiment de séchage.
- Ne pas mettre la main dans la sècheuse si le tambour est en mouvement.
- Ne pas installer ni entreposer la sècheuse où elle sera exposée aux intempéries.
- Ne pas jouer avec les commandes.
- Ne pas réparer ni remplacer une pièce de la sècheuse ou essayer d'en faire l'entretien à moins d'une recommandation spécifique dans le guide d'utilisation et d'entretien, ou publiée dans les instructions de réparation par l'utilisateur que vous comprenez et pouvez exécuter avec compétence.
- Ne pas utiliser un produit assouplissant de tissu ou des produits pour éliminer la statique à moins qu'ils ne soient recommandés par le fabricant du produit assouplissant de tissu ou du produit.
- Ne pas utiliser la chaleur pour faire sécher des articles fabriqués avec du caoutchouc mousse ou des matériaux semblables.
- Nettoyer le filtre à charpie avant et après chaque charge.
- Ne pas laisser la charpie, la poussière, ou la saleté s'accumuler autour du système d'évacuation ou autour de l'appareil.
- Un nettoyage périodique de l'intérieur de la sècheuse et du conduit d'évacuation doit être effectué par une personne qualifiée.
- Voir les instructions d'installation pour les exigences de liaison de l'appareil à la terre.

CONSERVEZ CES INSTRUCTIONS

- On recommande que le propriétaire place les instructions à l'usage du client à un endroit bien visible, pour le cas où le client percevrait une odeur de gaz. Ces renseignements doivent être obtenus auprès de votre fournisseur de gaz.
- Placer l'avertissement qui suit à un endroit bien visible.

POUR VOTRE SÉCURITÉ

Ne pas entreposer ni utiliser de l'essence ou d'autres produits liquides ou gazeux inflammables à proximité de cet appareil ou de tout autre appareil électroménager.

EXIGENCES D'INSTALLATION

Outillage et pièces

Rassembler les outils et pièces nécessaires avant de commencer l'installation. Lire et respecter les instructions d'installation fournies avec chacun des outils de cette liste.

Outillage nécessaire

- Clé à tube de 8" (20 cm) ou 10" (25 cm)
- Clé à molette de 8" (20 cm) ou 10" (25 cm)
- Tournevis à lame plate
- Tournevis Phillips
- Tournevis de sécurité TORX® T-20
- Clé à molette avec ouverture jusqu'à 1" (25 mm) ou clé à douille hexagonale
- Niveau
- Clé à douille de 5/16"
- Couteau utilitaire
- Bride de fixation
- Composé d'étanchéité des raccords filetés - résistant au propane
- Pistolet à calfeutrage et composé de calfeutrage (pour l'installation d'un nouveau circuit d'évacuation)
- Pince
- Couteau à mastic

† ® TORX est une marque déposée de Acument Intellectual Properties, LLC.

Pièces fournies

Retirer le sac de pièces du tambour de la sècheuse. Vérifier la présence de toutes les pièces.

- Vis cannelées de 10-32 x 5/16 po (4)
- Goupille fendue (2)

Exigences d'emplacement

⚠ AVERTISSEMENT



Risque d'explosion

Garder les matières et les vapeurs inflammables, telle que l'essence, loin de la sècheuse.

Ne pas installer dans un garage.

Le non-respect de ces instructions peut causer un décès, une explosion ou un incendie.

Pour l'installation d'une sècheuse à gaz :

IMPORTANT : Respecter les dispositions de tous les codes et règlements en vigueur.

- Déterminer les exigences des codes : Certains codes limitent ou prohibent l'installation d'une sècheuse dans un placard ou une chambre à coucher. Consulter l'inspecteur local des bâtiments.
- Veiller à ce que les bords inférieurs de la caisse ainsi que l'arrière et les côtés inférieurs de la sècheuse soient exempts d'obstructions, afin de permettre le passage adéquat de l'air de combustion. Voir la section "Instructions pour l'installation dans un encastrement" pour l'espace de dégagement minimal.

REMARQUE :

- La sècheuse ne doit pas être installée en un endroit où elle serait exposée à de l'eau ou aux intempéries.
- Cette sècheuse ne doit pas être installée dans un placard muni d'une porte.

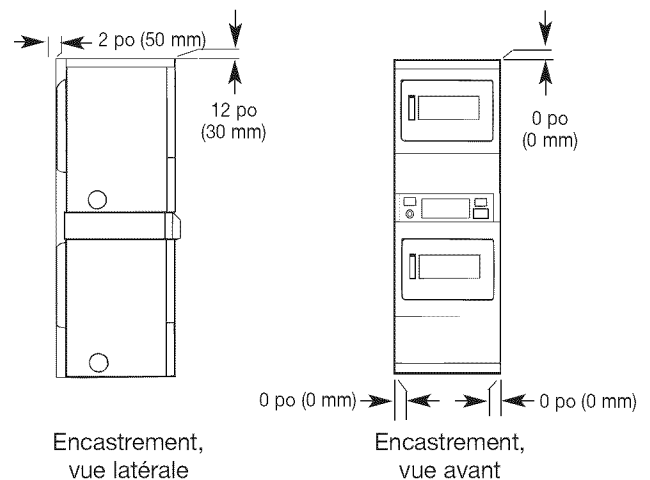
Instructions pour l'installation dans un encastrement

Cette sècheuse peut être installée dans un encastrement. Les distances de séparation minimales sont mentionnées à l'arrière de la sècheuse.

Le circuit d'évacuation de la sècheuse doit être relié à l'extérieur.

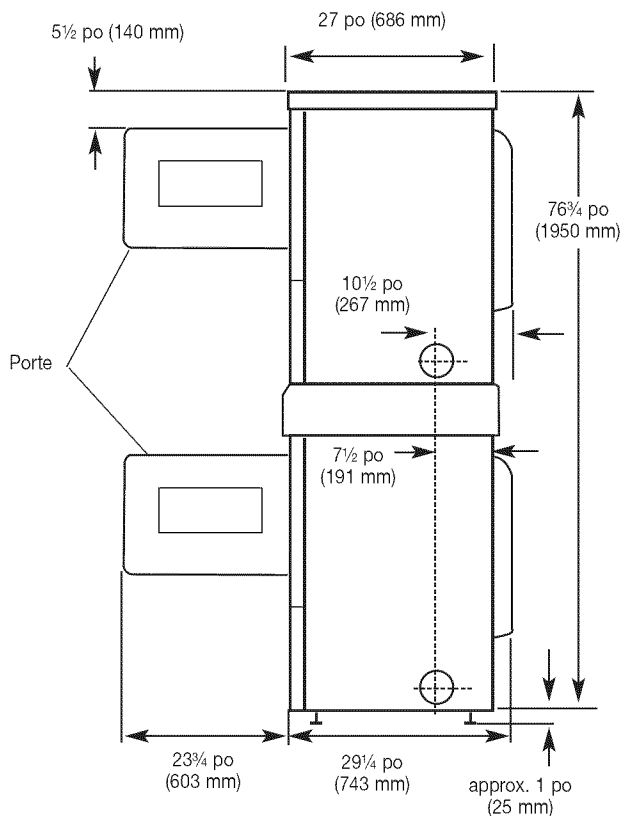
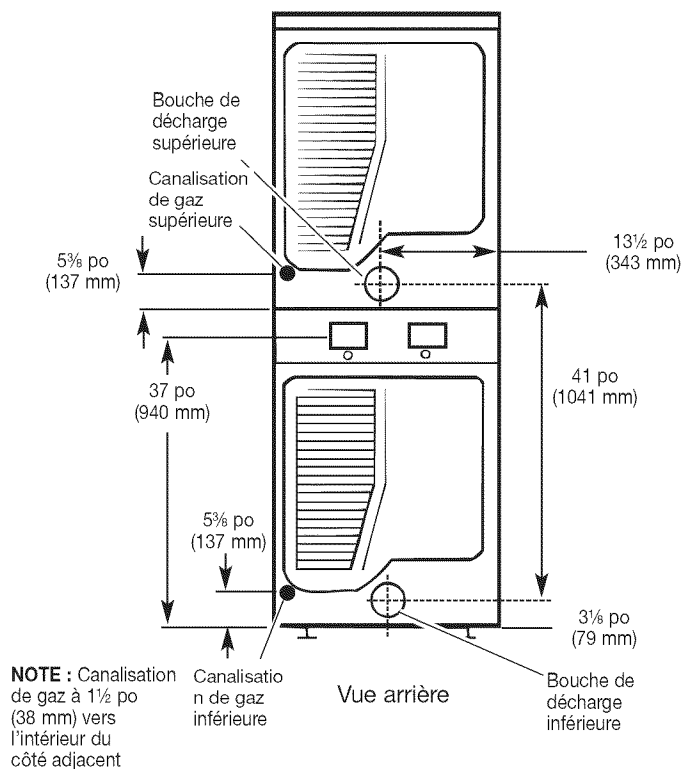
Distances de séparation minimales

	Arrière	Côtés	Dessus	Avant
Encastré	2 po (50 mm)	0 po (0 mm)	12 po (300 mm)	—



On doit prévoir un espacement additionnel pour tenir compte éventuellement des moulures du mur, de la porte et du plancher, ou si le circuit d'évacuation comporte un coude.

Dimensions du produit



Spécifications électriques — sècheuse à gaz

⚠ AVERTISSEMENT



Risque de choc électrique

Brancher sur une prise à 3 alvéoles reliée à la terre.

Ne pas enlever la broche de liaison à la terre.

Ne pas utiliser un adaptateur.

Ne pas utiliser un câble de rallonge.

Le non-respect de ces instructions peut causer un décès, un incendie ou un choc électrique.

IMPORTANT : La sècheuse doit être électriquement reliée à la terre conformément aux prescriptions des codes et règlements locaux; en l'absence de code local, respecter les prescriptions du code national en vigueur : National Electrical Code, ANSI/NFPA 70 (édition la plus récente), ou Code canadien de l'électricité, CSA C22.1.

Si un conducteur distinct de liaison à la terre est utilisé (lorsque le code en vigueur le permet), on recommande qu'un électricien qualifié vérifie la qualité de la liaison à la terre.

On peut obtenir un exemplaire du code national en vigueur à l'adresse suivante :

National Fire Protection Association
One Batterymarch Park, Quincy, MA 02269

CSA International
8501 East Pleasant Valley Road
Cleveland, Ohio 44131-5575

- L'appareil doit être alimenté par un circuit électrique de 120 V (CA seulement), 60 Hz, protégé par un fusible de 15 A. On recommande l'emploi d'un fusible temporisé ou d'un disjoncteur. Il est également recommandé d'utiliser un circuit séparé pour la sècheuse.

Méthode recommandée de liaison à la terre

Après l'installation, la sècheuse doit être électriquement reliée à la terre conformément aux prescriptions des codes et règlements locaux; en l'absence de code local, respecter les prescriptions du code national en vigueur : National Electrical Code, ANSI/NFPA 70 (édition la plus récente), ou Code canadien de l'électricité, CSA C22.1, ainsi que celles des codes et règlements locaux.

INSTRUCTIONS DE LIAISON À LA TERRE

- Pour une sècheuse reliée à la terre et connectée par un cordon :
Cette sècheuse doit être reliée à la terre. En cas de mauvais fonctionnement ou de panne, la liaison à la terre réduira le risque de choc électrique en offrant au courant électrique un acheminement d'évacuation de moindre résistance. Cette sècheuse est alimentée par un cordon électrique comportant un conducteur relié à la terre et une fiche de branchement munie d'une broche de liaison à la terre. La fiche doit être branchée sur une prise appropriée qui est bien installée et reliée à la terre conformément à tous les codes et règlements locaux.

AVERTISSEMENT : Le raccordement incorrect de cet appareil au conducteur de liaison à la terre peut susciter un risque de choc électrique. En cas de doute quant à la qualité de liaison à la terre de la sècheuse, consulter un électricien ou un technicien ou un personnel qualifié. Ne pas modifier la fiche de branchement fournie avec la sècheuse; si la fiche ne correspond pas à la configuration de la prise de courant, demander à un électricien qualifié d'installer une prise de courant appropriée.

CONSERVEZ CES INSTRUCTIONS

Spécifications électriques — sècheuse électrique (É.-U. uniquement)

IMPORTANT : La sècheuse doit être électriquement reliée à la terre conformément aux prescriptions des codes et règlements locaux; en l'absence de code local, respecter les prescriptions du code national en vigueur : National Electrical Code, ANSI/NFPA 70 (édition la plus récente), ou Code canadien de l'électricité, CSA C22.1.

Le National Electrical Code exige une alimentation électrique à 4 conducteurs pour les maisons reconstruites après 1996, les circuits de sècheuse concernés par le remodelage après 1996, et toutes les installations de maisons mobiles.

Si un conducteur distinct de liaison à la terre est utilisé (lorsque le code en vigueur le permet), on recommande qu'un électricien qualifié vérifie la qualité de la liaison à la terre.

On peut obtenir un exemplaire du code national en vigueur à l'adresse suivante :

National Fire Protection Association
One Batterymarch Park, Quincy, MA 02269

CSA International
8501 East Pleasant Valley Road
Cleveland, Ohio 44131-5575

- Aux É.-U. : L'appareil doit être alimenté par un circuit indépendant monophasé à quatre conducteurs ou trois conducteurs, 120/240 V, 60 Hz, CA seulement (ou un circuit 120/208 V à trois ou quatre conducteurs si ceci est spécifié sur la plaque signalétique); chaque conducteur de phase du circuit doit être protégé par un fusible 30 A; on recommande l'emploi de disjoncteurs ou de fusibles temporisés.
- Au Canada : L'appareil doit être alimenté par un circuit indépendant monophasé à quatre conducteurs, 115/230 V, 60 Hz; chaque conducteur de phase du circuit doit être protégé par un fusible 30 A; on recommande l'emploi de disjoncteurs ou fusibles temporisés.

Méthode recommandée de liaison à la terre

- Aux É.-U. : C'est au client qu'incombe la responsabilité de contacter un électricien qualifié qui pourra déterminer si l'installation électrique est adéquate et conforme aux prescriptions du National Electrical Code, ANSI/NFPA 70 (édition la plus récente) et à tous les codes et règlements locaux en vigueur.
- Au Canada : C'est au client qu'incombe la responsabilité d'installer la sècheuse conformément aux prescriptions de la norme CSA C22.1 (Code canadien de l'électricité), aux codes d'installation et à tous les codes nationaux et locaux applicables.

Les modèles vendus au Canada sont équipés d'un cordon d'alimentation flexible à quatre conducteurs (30 A). La fiche du cordon d'alimentation doit être branchée sur une prise de courant 30 A de même configuration.

INSTRUCTIONS DE LIAISON À LA TERRE

- Pour une sècheuse reliée à la terre et connectée par un cordon :
Cette sècheuse doit être reliée à la terre. En cas de mauvais fonctionnement ou de panne, la liaison à la terre réduira le risque de choc électrique en offrant au courant électrique un acheminement d'évacuation de moindre résistance. Cette sècheuse est alimentée par un cordon électrique comportant un conducteur relié à la terre et une fiche de branchement munie d'une broche de liaison à la terre. La fiche doit être branchée sur une prise appropriée qui est bien installée et reliée à la terre conformément à tous les codes et règlements locaux.

- Pour une sècheuse raccordée en permanence :
Cette sècheuse doit être raccordée à un système de câblage permanent en métal relié à la terre ou un conducteur relié à la terre doit être en fonction avec les conducteurs de circuit et raccordé à la borne de liaison à la terre ou la borne sur la sècheuse.

AVERTISSEMENT : Le raccordement incorrect de cet appareil au conducteur de liaison à la terre peut susciter un risque de choc électrique. En cas de doute quant à la qualité de liaison à la terre de la sècheuse, consulter un électricien ou un technicien ou un personnel qualifié. Ne pas modifier la fiche de branchement fournie avec la sècheuse; si la fiche ne correspond pas à la configuration de la prise de courant, demander à un électricien qualifié d'installer une prise de courant appropriée.

CONSERVEZ CES INSTRUCTIONS

⚠ AVERTISSEMENT



Risque d'explosion

Utiliser une canalisation neuve d'arrivée de gaz approuvée par CSA International.

Installer un robinet d'arrêt.

Bien serrer chaque organe de connexion de la canalisation de gaz.

En cas de connexion au gaz propane, demander à une personne qualifiée de s'assurer que la pression de gaz ne dépasse pas 330 mm (13 po) de la colonne d'eau.

Par personne qualifiée, on comprend :

**le personnel autorisé de chauffage,
le personnel autorisé d'une compagnie de gaz, et
le personnel d'entretien autorisé.**

Le non-respect de ces instructions peut causer un décès, une explosion ou un incendie.

IMPORTANT : Respecter les dispositions de tous les codes et règlements en vigueur.

L'installation doit satisfaire aux critères de tous les codes et règlements locaux. En l'absence de code local, l'installation doit satisfaire aux prescriptions du National Fuel Gas Code ANSI Z223.1/NFPA 54 (American National Standard) ou CAN/CSA B149.

On peut obtenir un exemplaire du code national en vigueur à l'adresse suivante :

National Fire Protection Association
One Batterymarch Park, Quincy, MA 02269

CSA International
8501 East Pleasant Valley Road
Cleveland, Ohio 44131-5575

La conception de cette sècheuse a été homologuée par CSA International pour l'utilisation jusqu'à une altitude de 10 000 pi (3048 m) au-dessus du niveau de la mer, pour le débit thermique indiqué sur la plaque signalétique. Aucun réglage du brûleur n'est nécessaire lorsque la sècheuse est utilisée à une altitude inférieure à cette valeur maximale.

Si la sècheuse doit être utilisée à une altitude supérieure à 10 000 pi (3048 m), on doit réduire de 4 % le débit thermique du brûleur indiqué sur la plaque signalétique pour chaque tranche de 1000 pi (305 m) d'augmentation de l'altitude. Consulter votre compagnie de service locale pour obtenir de l'aide lors de la conversion à d'autres types de gaz et/ou de l'installation de la sècheuse à une altitude supérieure à 10 000 pi (3048 m).

Type de gaz

La sècheuse est équipée pour l'alimentation au gaz naturel. Elle est homologuée par CSA International pour l'alimentation avec des gaz de pétrole liquéfiés (propane et butane), après conversion appropriée. Ne pas entreprendre de convertir l'appareil pour l'utilisation d'un gaz différent de celui indiqué sur la plaque signalétique sans d'abord consulter le fournisseur de gaz. Un technicien qualifié doit effectuer la conversion. Les numéros des pièces nécessaires pour la conversion sont mentionnés sur la base de la valve du brûleur.

Canalisation de gaz

Méthode recommandée

- Installer une canalisation de gaz rigide de ½" (IPS) jusqu'à l'emplacement d'installation de la sècheuse. On doit utiliser un composé d'étanchéité des tuyauteries résistant à l'action du gaz de pétrole liquéfié. Ne pas utiliser de ruban TEFLON®. Pour l'alimentation au propane, le diamètre des canalisations doit être de ½" (IPS) ou plus. Usuellement le fournisseur de gaz propane détermine les matériaux à utiliser et le diamètre approprié.

Autre méthode

- La canalisation de gaz peut également être connectée au moyen d'un tube homologué en aluminium ou en cuivre de ¾". Si la longueur totale de la canalisation de gaz excède 20 pi (6,1 m), un tuyau de plus gros diamètre sera nécessaire. Dans le cas de l'alimentation au gaz naturel, ne pas utiliser de tuyau en cuivre. Assurer l'étanchéité des connexions avec un composé d'étanchéité résistant au propane.

Connecteur en métal souple pour appareil ménager :

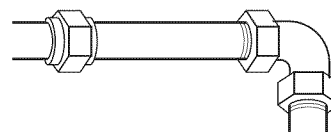
- Il est recommandé d'utiliser une canalisation en acier inoxydable souple et neuve, conception homologuée par CSA International, pour raccorder la sècheuse à la conduite d'alimentation en gaz. (La canalisation d'arrivée de gaz sortant à l'arrière/le bas de la sècheuse est dotée d'un filetage mâle de ¾").



- Ne pas déformer ni endommager la canalisation de gaz en acier inoxydable souple lorsque vous déplacez la sècheuse.

Connexion du tuyau rigide :

La connexion du tuyau rigide nécessite une combinaison de raccords pour obtenir une connexion de la sècheuse en ligne.



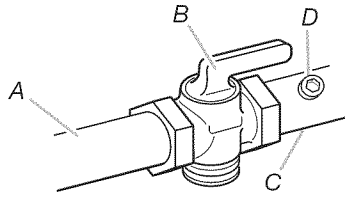
- Robinet d'arrêt nécessaire :

Conformément aux prescriptions du National Fuel Gas Code, ANSI Z223.1 aux É.-U., on doit installer un robinet d'arrêt manuel sur la canalisation d'alimentation, à moins de 6 pi (1,8 m) de la sècheuse. Au Canada, le robinet d'arrêt manuel doit être installé conformément aux prescriptions des codes d'installation B149 – CAN/CGA B149.1 et CAN/CGA B149.2. Le robinet d'arrêt doit être situé dans la même pièce que la

†®TEFLON est une marque déposée de E.I. Du Pont De Nemours et Compagnie.

sècheuse. Il doit se trouver à un emplacement qui permet une ouverture et une fermeture faciles. Ne pas bloquer l'accès au robinet d'arrêt. Le robinet est destiné à alimenter/couper l'alimentation en gaz de la sècheuse.

- A. Canalisation d'arrivée de gaz
- B. Robinet d'arrêt - position d'ouverture
- C. Vers la sècheuse
- D. Raccord de 1/8" NPT minimal



■ Installation dans un espace confiné :

Si la sècheuse est installée dans un espace réduit comme une salle de bain ou un placard, on doit prévoir une arrivée d'air appropriée pour la combustion et la ventilation. Consulter les codes et règlements en vigueur, ou voir "Instructions pour l'installation dans un encastrement ou un placard" de la section "Exigences d'emplacement".

Tests de pressurisation de la canalisation de gaz

Un raccord de 1/8," NPT minimal, accessible pour le raccordement d'un manomètre de test, doit être installé immédiatement en amont du robinet d'arrêt de gaz de la sècheuse.

Lors de tout test de pressurisation du système à une pression de test supérieure à 1/2 lb/po² rel., la sècheuse doit être déconnectée de la canalisation d'arrivée de gaz.

Exigences concernant l'évacuation

⚠ AVERTISSEMENT



Risque d'incendie

- Utiliser un conduit d'évacuation en métal lourd.**
- Ne pas utiliser un conduit d'évacuation en plastique.**
- Ne pas utiliser un conduit d'évacuation en feuille de métal.**
- Le non-respect de ces instructions peut causer un décès ou un incendie.**

AVERTISSEMENT : Pour réduire le risque d'incendie, cette sècheuse DOIT ÉVACUER L'AIR À L'EXTÉRIEUR.

- L'évent du sèche-linge ne doit pas être connecté à un conduit d'évacuation de gaz, une cheminée, un mur, un plafond, un grenier, un vide comble, ou un vide de construction.
- Ne pas utiliser un clapet d'évacuation à fermeture magnétique.
- Ne pas installer le conduit métallique flexible dans les cavités fermées des murs, plafonds ou planchers.
- Utiliser un conduit d'évacuation en métal lourd de 4" (102 mm) et des brides de fixation.

- Utiliser des brides de fixation pour sceller tous les joints. L'évent ne doit pas être connecté ou fixé à la sècheuse avec des vis ou autres méthodes de fixation qui dépassent dans le conduit et peuvent attraper de la charpie. Ne pas utiliser de ruban adhésif pour conduits.
- Le longueur totale du conduit métallique souple ne doit pas dépasser 7 3/4 pi. (2,4 m).

IMPORTANT : Respecter les dispositions de tous les codes et règlements en vigueur.

Utiliser un conduit d'évacuation en métal lourd. Ne pas utiliser un conduit de plastique ou en feuille métallique.

On recommande d'utiliser un conduit métallique rigide pour réduire les risques d'écrasement et de déformation.

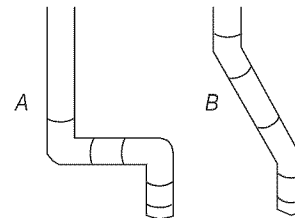
Un conduit métallique flexible doit être totalement déployé et soutenu lorsque le sèche-linge est à sa position finale. Enlever tout excès de conduit flexible pour éviter tout affaissement/déformation susceptible de réduire le débit d'air et le rendement de la sècheuse.

Terminer le conduit d'évacuation par un clapet de décharge pour empêcher les rongeurs et insectes d'entrer dans l'habitation ou l'entreprise.

Le clapet de décharge doit être situé à au moins 305 mm (12") au-dessus du sol ou de tout autre objet susceptible de se trouver sur le trajet de l'air humide rejeté (par exemple, fleurs, roches ou arbustes).

Lors de l'utilisation d'un circuit d'évacuation existant, nettoyer la charpie sur toute la longueur du système et veiller à ce que la bouche de décharge ne soit pas obstruée par une accumulation de charpie. Remplacer tout conduit de plastique ou de feuille métallique mince par un conduit métallique flexible ou rigide.

Planifier l'installation pour introduire le nombre minimal de coudes et de changements de direction.



Débit d'évacuation

- A. Bon débit d'évacuation
- B. Meilleur débit d'évacuation

Si des coudes sont utilisés ou des changements de direction effectués, prévoir autant d'espace que possible. Plier le conduit graduellement pour éviter de le déformer.

La bouche de sortie est située à l'arrière de la sècheuse, en bas/au centre.

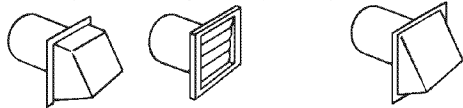
On peut acheminer le conduit d'évacuation par le haut, par le bas, par la gauche, par la droite, derrière la sècheuse, ou en ligne droite depuis l'arrière de la sècheuse.

Longueur du circuit d'évacuation

La longueur maximale du circuit d'évacuation dépend du type de conduit utilisé, du nombre de coudes, et du type de bouche de décharge. La longueur maximale pour le circuit de conduit rigide est indiquée dans le tableau ci-après.

Longueur maximale du conduit

Clapet de décharge de 4" (102 mm) de diamètre



Conduit métallique rigide

Nombre d'angles à 90°	Clapets de type boîte et à persiennes	Clapet incliné
0	130 pi (39,6 m)	129 pi (39,3 m)
1	125 pi (38,1 m)	119 pi (36,3 m)
2	115 pi (35,1 m)	109 pi (33,2 m)
3	106 pi (32,3 m)	100 pi (30,5 m)
4	98 pi (29,9 m)	92 pi (28,0 m)

Pour un circuit d'évacuation qui n'est pas couvert par le tableau, consulter votre marchand de pièces.

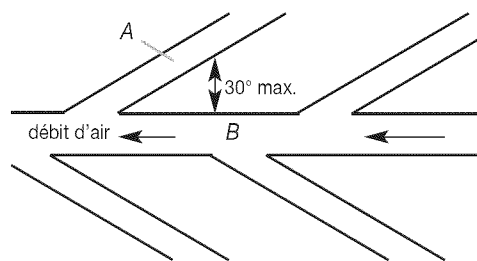
Si la sècheuse est installée dans un espace réduit tel qu'une chambre à coucher ou une salle de bain, on doit prévoir une arrivée d'air en quantité suffisante pour la combustion et la ventilation. (Consulter les codes et règlements en vigueur.) Voir "Instructions pour l'installation dans un encastrement" de la section "Exigences d'emplacement".

Évacuation multiple de la sècheuse

- Un conduit d'évacuation principal peut être utilisé pour un groupe de sècheuses. Le conduit d'évacuation principal devrait être d'un diamètre suffisant pour évacuer 200 pi³/min d'air par sècheuse. Des filtres à charpie de forte capacité et de conception adéquate peuvent être utilisés dans le conduit principal d'évacuation s'ils sont inspectés et nettoyés fréquemment. La pièce où se trouvent les sècheuses devrait recevoir un apport d'air de débit égal ou supérieur au débit total (pi³/min) de toutes les sècheuses installées dans la pièce.
- Des ensembles antirefoulement, n° de pièce 3391910, sont disponibles chez votre marchand et devraient être installés dans le conduit d'évacuation de chaque sècheuse pour empêcher l'air évacué de retourner dans les sècheuses et pour maintenir une pression équilibrée dans le conduit principal d'évacuation. Des orifices de passage d'air non obstrués sont requis.

Chaque conduit d'évacuation devrait pénétrer dans le conduit principal à un angle pointant dans la direction du débit d'air. Les conduits raccordés au conduit principal de part et d'autre devraient être disposés en quinconce pour que l'air évacué par une sècheuse ne puisse perturber l'évacuation d'une autre sècheuse.

L'angle maximal entre le conduit connecté à une sècheuse et le conduit principal ne devrait pas dépasser 30°.



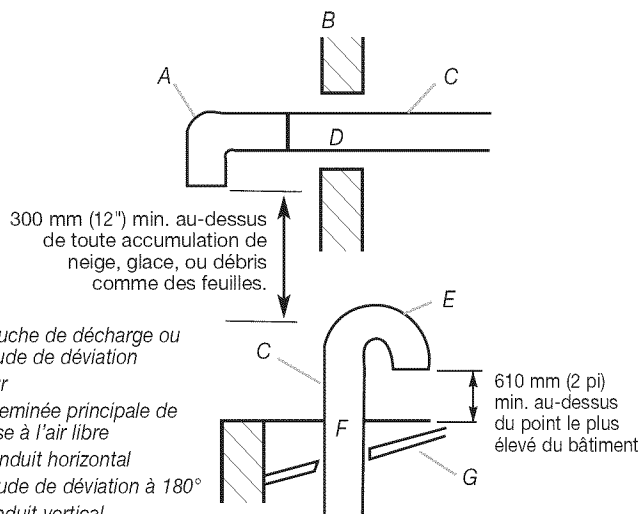
A. Conduit d'évacuation individuel de la sècheuse
B. Conduit principal d'évacuation

Faire en sorte que les vapeurs générées par les liquides de nettoyage à sec ne puissent pas atteindre les orifices d'entrée d'air; ces vapeurs créent des composés acides qui, lorsqu'ils sont attirés vers les unités de chauffage des sècheuses, peuvent endommager les sècheuses et le linge en cours de séchage.

Une bouche de nettoyage devrait être installée dans le conduit principal d'évacuation pour les nettoyages périodiques du système d'évacuation.

Si une bouche de décharge ne peut être utilisée :

L'extrémité extérieure du conduit principal devrait être munie d'un coude de déviation dirigé vers le bas. Si le conduit principal suit une trajectoire verticale à travers le toit, plutôt qu'à travers le mur, installer un coude de déviation de 180° à l'extrémité du conduit et dépassant d'au moins 610 mm (2 pi) au-dessus de la partie la plus élevée du bâtiment. L'ouverture murale ou dans le toit doit avoir un diamètre supérieur de 13 mm (1/2") à celui du conduit d'évacuation. Le conduit d'évacuation devrait être centré dans l'ouverture.



A. Bouche de décharge ou coude de déviation
B. Mur
C. Cheminée principale de mise à l'air libre
D. Conduit horizontal
E. Coude de déviation à 180°
F. Conduit vertical
G. Toit

300 mm (12") min. au-dessus de toute accumulation de neige, glace, ou débris comme des feuilles.

610 mm (2 pi) min. au-dessus du point le plus élevé du bâtiment

Ne pas installer une grille ou un couvercle sur l'extrémité du conduit d'évacuation.

INSTRUCTIONS D'INSTALLATION - SÈCHEUSE À GAZ

Raccordement à la canalisation de gaz

⚠ AVERTISSEMENT

Risque du poids excessif

Utiliser deux ou plus de personnes pour déplacer et installer la sècheuse.

Le non-respect de cette instruction peut causer une blessure au dos ou d'autre blessure.

1. Retirer le capuchon rouge de la canalisation de gaz.
2. Raccorder la canalisation de gaz à la sècheuse. Utiliser un composé d'étanchéité compatible avec le gaz propane. Si un conduit métallique flexible est utilisé, vérifier qu'il n'est pas déformé.
Si cela est nécessaire à l'entretien, ouvrir le panneau de plinthe. Utiliser un couteau à mastic pour appuyer sur le verrou du panneau de plinthe situé dans les coins supérieures du panneau de plinthe. Tirer le panneau de plinthe vers le bas pour l'ouvrir. Le panneau de plinthe est fixé à la partie inférieure.
3. Ouvrir le robinet d'arrêt de la canalisation d'arrivée de gaz.
4. Vérifier tous les raccords en les badigeonnant d'une solution de détection des fuites non corrosive approuvée. L'apparition de bulles indique une fuite. Réparer toute fuite éventuelle.

Raccordement du conduit d'évacuation

1. À l'aide d'une bride de fixation de 4" (102 mm), relier le conduit d'évacuation à la bouche d'évacuation de la sècheuse. Si on utilise le conduit d'évacuation existant, s'assurer qu'il est propre. Le conduit d'évacuation de la sècheuse doit être fixé sur la bouche d'évacuation de la sècheuse et dans le clapet d'évacuation. S'assurer que le conduit d'évacuation est fixé au clapet d'évacuation à l'aide d'une bride de fixation de 4" (102 mm).
2. Avec l'aide d'au moins deux autres personnes, déplacer la sècheuse à l'emplacement final désiré. Ne pas écraser ni déformer le conduit d'évacuation. Vérifier que la sècheuse est de niveau.
3. Vérifier que la canalisation souple de gaz n'est pas déformée.

Achever l'installation

1. Une fois la sècheuse à son emplacement final, placer un niveau sur le sommet de la sècheuse, transversalement, puis dans le sens avant arrière. Si la sècheuse n'est pas d'aplomb, ajuster les pieds pour modifier la hauteur et établir un bon aplomb de la sècheuse.
2. À l'aide d'un tournevis de sécurité Torx T20, ouvrir le tableau de commande et le faire reposer sur le bord inférieur de l'ouverture.
3. Pour plus de sécurité entre la partie supérieure de la sècheuse et la bague, insérer l'épingle à goupille fendue dans le boulon d'assemblage.
4. Fermer le tableau de commande.

⚠ AVERTISSEMENT



Risque de choc électrique

Brancher sur une prise à 3 alvéoles reliée à la terre.

Ne pas enlever la broche de liaison à la terre.

Ne pas utiliser un adaptateur.

Ne pas utiliser un câble de rallonge.

Le non-respect de ces instructions peut causer un décès, un incendie ou un choc électrique.

5. Brancher sur une prise à 3 alvéoles reliée à la terre.
6. Contrôler le bon fonctionnement de la sècheuse:
Sélectionner un programme complet avec chaleur, laisser la sècheuse fonctionner pendant au moins cinq minutes. Elle s'arrête lorsque la durée est écoulée.
REMARQUE : La porte de la sècheuse doit être fermée pour que l'appareil fonctionne. Lorsque la porte est ouverte, la sècheuse s'arrête, mais le compte à rebours de la durée se poursuit. Pour remettre la sècheuse en marche, fermer la porte et resélectionner un programme.
7. Si on ne perçoit aucune chaleur à l'intérieur de la sècheuse et si le brûleur ne s'allume pas, arrêter la sècheuse pendant cinq minutes. Vérifier que tous les robinets de la canalisation d'alimentation sont ouverts et que le cordon d'alimentation électrique est branché. Répéter le test de cinq minutes de fonctionnement.

INSTRUCTIONS D'INSTALLATION - SÈCHEUSE ÉLECTRIQUE

Raccordement électrique

⚠ AVERTISSEMENT

Risque du poids excessif

Utiliser deux ou plus de personnes pour déplacer et installer la sècheuse.

Le non-respect de cette instruction peut causer une blessure au dos ou d'autre blessure.

Méthode du cordon d'alimentation – É.-U. seulement

- Cette sècheuse a été fabriquée de manière à pouvoir être raccordée directement à un câble d'alimentation électrique à trois fils. Le conducteur neutre de liaison à la terre est raccordé de manière permanente au conducteur neutre (fil blanc), dans la sècheuse. Si la sècheuse doit être raccordée à un câble d'alimentation à quatre fils, le conducteur neutre de liaison à la terre doit être séparé du conducteur de liaison à la terre extérieur (vis verte) et fixé sous la borne neutre (fil central ou blanc) du bloc de raccordement. Une fois le conducteur neutre de liaison à la terre fixé sous la borne neutre (fil central ou blanc) du bloc de raccordement, la caisse de la sècheuse est isolée du conducteur neutre.
- Si les codes locaux ne permettent pas la connexion d'un fil neutre de liaison à la terre au fil neutre, voir la section "Mode de connexion facultatif – prise de courant à trois conducteurs".
- Il importe d'utiliser un mode de connexion à quatre fils lorsque l'appareil ménager est installé dans une juridiction où il est interdit de relier l'appareil à la terre par l'intermédiaire du conducteur neutre. Il est interdit de relier l'appareil à la terre par l'intermédiaire du conducteur neutre dans les cas suivants : (1) nouvelle installation avec alimentation par un circuit secondaire, (2) résidence mobile, (3) véhicule récréatif et (4) juridictions dans lesquelles les codes locaux interdisent la liaison à la terre par l'intermédiaire des conducteurs neutres.

⚠ AVERTISSEMENT



Risque d'incendie

Utiliser un cordon d'alimentation électrique neuf homologué UL de 30 ampères.

Utiliser un réducteur de tension homologué UL.

Déconnecter la source de courant électrique avant de réaliser les connexions électriques.

Connecter le conducteur neutre (blanc ou conducteur central) à la borne centrale (argent).

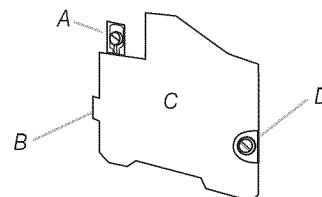
Le conducteur de liaison à la terre (vert ou nu) doit être relié au connecteur vert de liaison à la terre.

Connecter les 2 conducteurs d'alimentation restants aux 2 bornes (or) restantes.

Bien serrer chaque organe de connexion du branchement électrique.

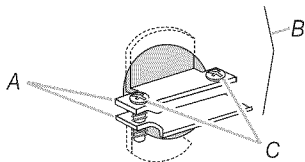
Le non-respect de cette instruction peut causer un décès, un incendie ou un choc électrique.

1. Déconnecter la source de courant électrique.
2. Ôter la vis de retenue et le couvercle du bloc de connexion.



- A. Vis pour conducteur externe de liaison à la terre
B. Onglet
C. Couvercle du bloc de connexion
D. Vis de retenue

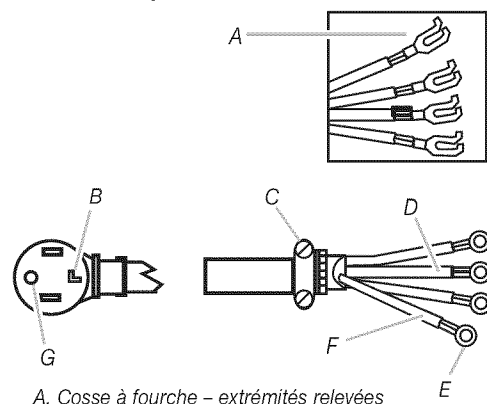
3. Installer un serre-câble de ¼" (agrément UL, avec marque sur le serre-câble) dans le trou situé au-dessous de l'ouverture du bloc de connexion. Serrer les vis du serre-câble juste assez pour que les deux parties du serre-câble soient maintenues ensemble. Faire passer le câble d'alimentation entre les deux plaquettes.



A. Sections du serre-câble
B. Caisse de la sècheuse
C. Vis du serre-câble

4. Exécuter les instructions d'installation qui suivent, selon le type de raccordement :
- Quatre conducteurs (méthode recommandée)
 - Trois conducteurs (si un circuit à quatre conducteurs n'est pas disponible)

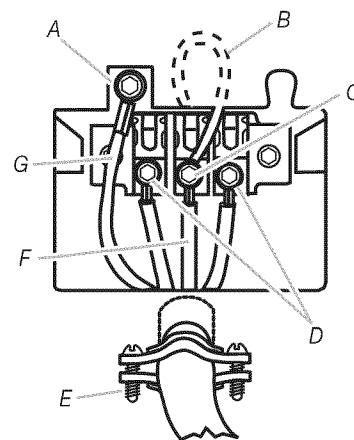
Cordon d'alimentation, prise de courant à quatre conducteurs :



A. Cosse à fourche – extrémités relevées
B. Broche neutre
C. Serre-câble de ¼" (agrément UL)
D. Conducteur neutre (blanc)
E. Cosses annulaires
F. Conducteur de liaison à la terre
G. Broche de liaison à la terre

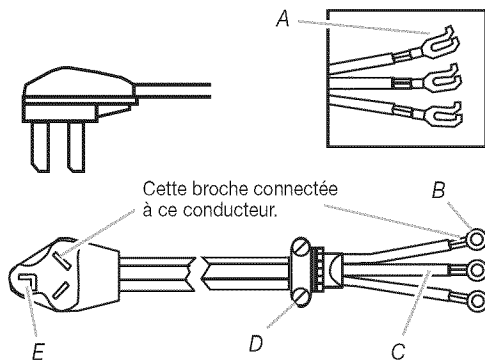
Le cordon d'alimentation à quatre conducteurs doit comporter quatre conducteurs de cuivre N° 10, et on doit disposer d'une prise de courant à quatre alvéoles de type NEMA 14-30R. Le quatrième conducteur (liaison à la terre) doit être identifié par un isolant vert et le conducteur neutre par un isolant blanc.

- Ôter la vis de la borne centrale du bloc de connexion.
- Détacher le conducteur de liaison à la terre de l'appareil de la vis de connexion du conducteur externe de liaison à la terre. Connecter ce conducteur sous la vis centrale de teinte argent du bloc de connexion.
- Connecter le conducteur de liaison à la terre du cordon d'alimentation à la vis de connexion du conducteur externe de liaison à la terre. Serrer la vis.
- Connecter le conducteur neutre (blanc ou central) du cordon d'alimentation sous la vis de la borne centrale du bloc de connexion. Serrer la vis.
- Connecter les autres conducteurs sur les bornes externes du bloc de connexion. Serrer les vis.
- Serrer les vis du serre-câble.
- Insérer l'onglet du couvercle du bloc de connexion dans la fente du panneau arrière de la sècheuse. Immobiliser le couvercle avec la vis de retenue.



A. Vis pour conducteur externe de liaison à la terre
B. Conducteur de liaison à la terre de l'appareil
C. Vis centrale du bloc de connexion
D. Vis externes du bloc de connexion
E. Vis du serre-câble
F. Conducteur neutre (conducteur central)
G. Conducteur de liaison à la terre

Cordon d'alimentation, prise de courant à trois conducteurs :

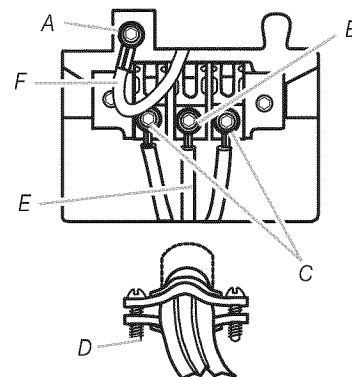


- A. Crosse à fourche – extrémités relevées
- B. Cosses annulaires
- C. Conducteur neutre (blanc ou central)
- D. Serre-câble de 3/4" (agrément UL)
- E. Broche neutre

Le cordon d'alimentation à trois conducteurs doit comporter trois conducteurs de cuivre N° 10, et on doit disposer d'une prise de courant à trois alvéoles de type NEMA 10-30R.

Lorsque le code local permet le raccordement entre conducteur neutre et conducteur de liaison à la terre de la caisse :

5. Desserrer ou enlever la vis de la borne centrale du bloc de connexion.
6. Connecter le conducteur neutre (blanc ou central) du cordon d'alimentation sur la borne centrale (vis de teinte argent) du bloc de connexion. Serrer la vis.
7. Connecter les autres conducteurs sur les bornes externes du bloc de connexion. Serrer les vis.
8. Serrer les vis du serre-câble.
9. Insérer l'onglet du couvercle du bloc de connexion dans la fente du panneau arrière de la sècheuse. Immobiliser le couvercle avec la vis de retenue.

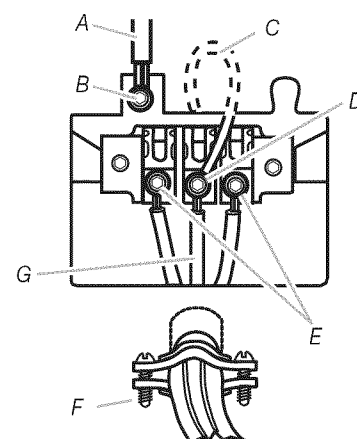


- A. Vis pour conducteur externe de liaison à la terre
- B. Vis centrale du bloc de connexion
- C. Vis externes du bloc de connexion
- D. Vis du serre-câble
- E. Conducteur neutre (conducteur central)
- F. Conducteur de liaison à la terre de l'appareil

Si les codes locaux ne permettent pas le raccordement entre conducteur neutre et conducteur de liaison à la terre de la caisse :

5. Ôter la vis de la borne centrale du bloc de connexion.
6. Détacher le conducteur de liaison à la terre de l'appareil de la vis de connexion du conducteur externe de liaison à la terre. Connecter le conducteur de liaison à la terre et le conducteur neutre (conducteur blanc ou central) du cordon d'alimentation de l'appareil, sous la vis centrale (argent) du bloc de connexion. Serrer la vis.
7. Connecter les autres conducteurs sur les bornes externes du bloc de connexion. Serrer les vis.
8. Serrer les vis du serre-câble.
9. Insérer l'onglet du couvercle du bloc de connexion dans la fente du panneau arrière de la sècheuse. Immobiliser le couvercle avec la vis de retenue.
10. Après avoir réinstallé le couvercle du bloc de connexion, installer un conducteur de liaison (cuivre) distinct entre la vis destinée à un conducteur externe de liaison à la terre et un point adéquat de liaison à la terre.

Si les codes permettent l'emploi d'un conducteur distinct de liaison à la terre, on recommande qu'un électricien qualifié vérifie la qualité de la liaison à la terre.



- A. Conducteur distinct de liaison à la terre, en cuivre
- B. Vis pour conducteur externe de liaison à la terre
- C. Conducteur de liaison à la terre de l'appareil
- D. Vis centrale du bloc de connexion
- E. Vis externes du bloc de connexion
- F. Vis du serre-câble
- G. Conducteur neutre (conducteur central)

Méthode de câblage direct – É.-U. seulement

⚠ AVERTISSEMENT



Risque d'incendie

Utiliser du fil en cuivre solide de calibre 10.

Utiliser un réducteur de tension homologué UL.

Déconnecter la source de courant électrique avant de réaliser les connexions électriques.

Connecter le conducteur neutre (blanc ou conducteur central) à la borne centrale (argent).

Le conducteur de liaison à la terre (vert ou nu) doit être relié au connecteur vert de liaison à la terre.

Connecter les 2 conducteurs d'alimentation restants aux 2 bornes (or) restantes.

Bien serrer chaque organe de connexion du branchement électrique.

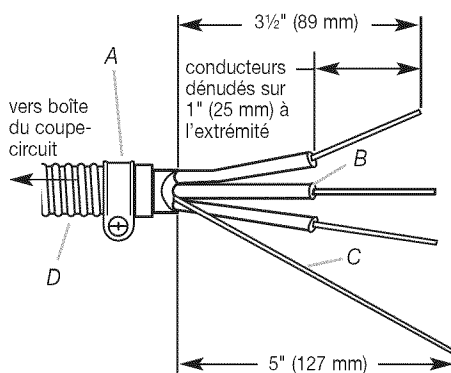
Le non-respect de cette instruction peut causer un décès, un incendie ou un choc électrique.

La configuration du câble d'alimentation par câblage direct doit correspondre à celle de la source d'électricité (4 conducteurs ou 3 conducteurs).

Le câble doit être comme suit :

- Câble blindé flexible ou câble à conducteur de cuivre et gaine non métallique (avec conducteur de liaison à la terre) protégé par un conduit métallique flexible. Chaque conducteur donnant lieu au passage d'un courant doit être isolé.

Câblage direct, prise de courant à quatre conducteurs :

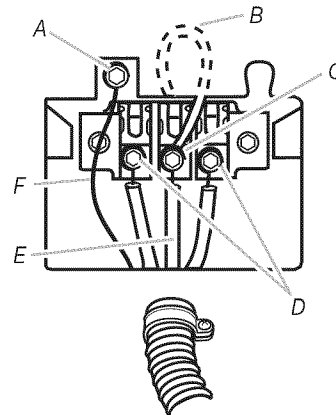


Former un crochet à l'extrémité de chaque conducteur.

Enlever 5" (127 mm) de la gaine externe à l'extrémité du câble. Conserver la longueur de 5" (127 mm) du conducteur vert ou nu de liaison à la terre. Pour les 3 autres conducteurs, couper une section de 1 1/2" (38 mm) à l'extrémité. Dénuder ensuite chaque conducteur sur 1" (25 mm).

- A. Connecteur de conduit de 3/4"
- B. Conducteur neutre (blanc ou central)
- C. Conducteur (vert ou nu) de liaison à la terre
- D. Câble à 3 conducteurs de calibre 10 avec conducteur de liaison à la terre en conduit métallique flexible

5. Ôter la vis de la borne centrale du bloc de connexion.
6. Détacher le conducteur de liaison à la terre de l'appareil de la vis de connexion du conducteur externe de liaison à la terre. Connecter ce conducteur sous la vis centrale de teinte argent du bloc de connexion.
7. Connecter le conducteur de liaison à la terre (vert ou nu) du câble d'alimentation par câblage direct à la vis de connexion du conducteur externe de liaison à la terre. Serrer la vis.
8. Placer l'extrémité formée en crochet du conducteur neutre (blanc ou central) du câble d'alimentation par câblage direct sous la vis de la borne centrale du bloc de connexion (crochet orienté vers la droite). Serrer le crochet sur la vis, puis serrer la vis.
9. Placer l'extrémité en crochet des autres conducteurs d'alimentation par câblage direct sous les vis externes des bornes du bloc de connexion (crochet orienté vers la droite). Serrer le crochet sur les vis, puis serrer les vis.
10. Insérer l'onglet du couvercle du bloc de connexion dans la fente du panneau arrière de la sècheuse. Immobiliser le couvercle avec la vis de retenue.

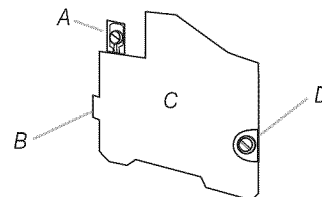


- A. Vis pour conducteur externe de liaison à la terre
- B. Conducteur de liaison à la terre de l'appareil
- C. Vis centrale du bloc de connexion
- D. Vis externes du bloc de connexion
- E. Conducteur neutre (conducteur central)
- F. Conducteur vert ou nu de liaison à la terre

- Conducteur de cuivre de calibre 10 (ne pas utiliser d'aluminium).

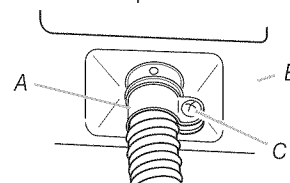
- Longueur de 5 pi ou plus (1,52 m).

1. Déconnecter la source de courant électrique.
2. Ôter la vis de retenue et le couvercle du bloc de connexion.



- A. Vis pour conducteur externe de liaison à la terre
- B. Onglet
- C. Couvercle du bloc de connexion
- D. Vis de retenue

3. Installer un connecteur de conduit de 3/4" dans le trou au-dessous de l'ouverture du bloc de connexion. Connecter le conduit métallique flexible et serrer la vis du connecteur. Faire passer le câble d'alimentation par câblage direct à travers le conduit métallique flexible.



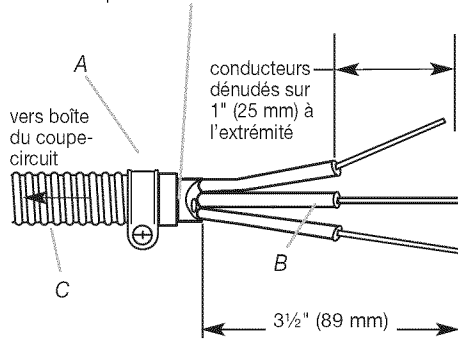
- A. Connecteur de conduit
- B. Caisse de la sècheuse
- C. Vis du connecteur

4. Exécuter les instructions d'installation qui suivent, selon le type de raccordement :

- Quatre conducteurs (méthode recommandée)
- Trois conducteurs (si un circuit à quatre conducteurs n'est pas disponible)

Câblage direct, prise de courant à trois conducteurs :

Trois conducteurs avec conducteur de liaison à la terre : Conducteur dénudé coupé, vert ou nu. Conducteur non utilisé. Sécheuse reliée à la terre par conducteur neutre.



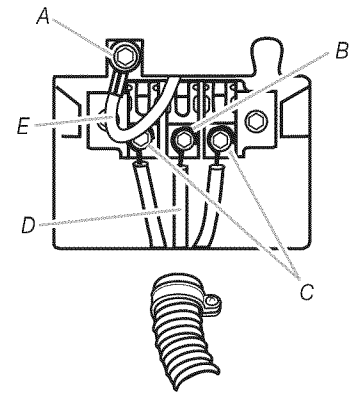
Former un crochet à l'extrémité de chaque conducteur.

Enlever 3 1/2" (89 mm) de la gaine externe à l'extrémité du câble. Dénuder ensuite chaque conducteur sur 1" (25 mm). Si vous utilisez un câble d'alimentation à 3 conducteurs avec conducteur de liaison à la terre, couper le conducteur nu ou vert au même niveau que la gaine externe.

- A. Connecteur de conduit de 3/4"
- B. Conducteur neutre (blanc ou central)
- C. Câble à 3 conducteurs de calibre 10 avec conducteur de liaison à la terre en conduit métallique flexible

Lorsque le code local permet le raccordement entre conducteur neutre et conducteur de liaison à la terre de la caisse :

5. Desserrer ou enlever la vis de la borne centrale du bloc de connexion.
6. Placer l'extrémité formée en crochet du conducteur neutre (blanc ou central) du câble d'alimentation par câblage direct sous la vis centrale du bloc de connexion (crochet orienté vers la droite). Serrer le crochet sur la vis, puis serrer la vis.
7. Placer l'extrémité en crochet des autres conducteurs d'alimentation par câblage direct sous les vis externes des bornes du bloc de connexion (crochet orienté vers la droite). Serrer le crochet sur les vis, puis serrer les vis.
8. Insérer l'onglet du couvercle du bloc de connexion dans la fente du panneau arrière de la sécheuse. Immobiliser le couvercle avec la vis de retenue.

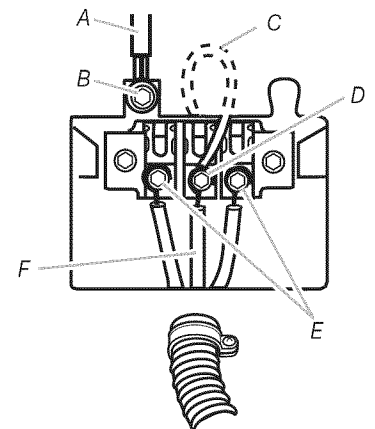


- A. Vis pour conducteur externe de liaison à la terre
- B. Vis centrale du bloc de connexion
- C. Vis externes du bloc de connexion
- D. Conducteur neutre (conducteur central)
- E. Conducteur de l'appareil (liaison à la terre)

Si les codes locaux ne permettent pas le raccordement entre conducteur neutre et conducteur de liaison à la terre de la caisse :

5. Ôter la vis de la borne centrale du bloc de connexion.
6. Détacher le conducteur de liaison à la terre de l'appareil de la vis de connexion du conducteur externe de liaison à la terre. Connecter le conducteur de liaison à la terre et le conducteur neutre (conducteur blanc ou central) du câble d'alimentation par câblage direct de l'appareil, sous la vis centrale (argent) du bloc de connexion. Serrer la vis.
7. Connecter les autres conducteurs sur les bornes externes du bloc de connexion. Serrer les vis.
8. Insérer l'onglet du couvercle du bloc de connexion dans la fente du panneau arrière de la sécheuse. Immobiliser le couvercle avec la vis de retenue.
9. Après avoir réinstallé le couvercle du bloc de connexion, installer un conducteur de liaison (cuivre) distinct entre la vis destinée à un conducteur externe de liaison à la terre et un point adéquat de liaison à la terre.

Si les codes permettent l'emploi d'un conducteur distinct de liaison à la terre, on recommande qu'un électricien qualifié vérifie la qualité de la liaison à la terre.



- A. Conducteur distinct en cuivre (liaison à la terre)
- B. Vis pour conducteur externe de liaison à la terre
- C. Conducteur de l'appareil (liaison à la terre)
- D. Vis centrale du bloc de connexion
- E. Vis externes du bloc de connexion
- F. Conducteur neutre (conducteur central)

Raccordement du conduit d'évacuation

1. À l'aide d'une bride de fixation de 4" (102 mm), relier le conduit d'évacuation à la bouche d'évacuation de la sècheuse. Si on utilise le conduit d'évacuation existant, s'assurer qu'il est propre. Le conduit d'évacuation de la sècheuse doit être fixé sur la bouche d'évacuation de la sècheuse et dans le clapet d'évacuation. S'assurer que le conduit d'évacuation est fixé au clapet d'évacuation à l'aide d'une bride de fixation de 4" (102 mm).
2. Avec l'aide d'au moins deux autres personnes, placer la sècheuse à l'emplacement final désiré. Ne pas écraser ni déformer le conduit d'évacuation. Vérifier que la sècheuse est de niveau.

Achever l'installation

1. Une fois la sècheuse à son emplacement final, placer un niveau sur le sommet de la sècheuse, transversalement, puis dans le sens avant arrière. Si la sècheuse n'est pas d'aplomb, ajuster les pieds pour modifier la hauteur et établir un bon aplomb de la sècheuse.

2. À l'aide d'un tournevis de sécurité Torx T20, ouvrir le tableau de commande et le faire reposer sur le bord inférieur de l'ouverture.
3. Pour plus de sécurité entre la partie supérieure de la sècheuse et la bague, insérer l'épingle à goupille fendue dans le boulon d'assemblage.
4. Fermer le tableau de commande.
5. Brancher la sècheuse ou reconnecter la source de courant électrique.
6. Contrôler le bon fonctionnement de la sècheuse:

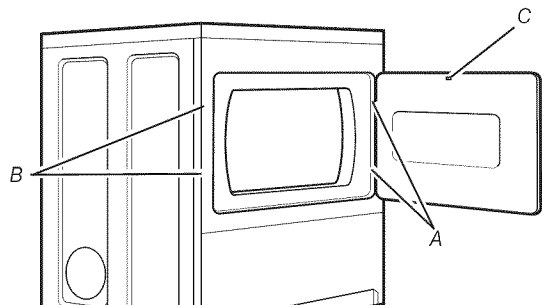
Sélectionner un programme complet avec chaleur, laisser la sècheuse fonctionner pendant au moins cinq minutes. Elle s'arrête lorsque la durée est écoulée.

REMARQUE : La porte de la sècheuse doit être fermée pour que l'appareil fonctionne. Lorsque la porte est ouverte, la sècheuse s'arrête, mais le compte à rebours de la durée se poursuit. Pour remettre la sècheuse en marche, fermer la porte et resélectionner un programme.

7. Mettre la sècheuse en marche; la laisser exécuter un programme complet avec chaleur (pas le programme de séchage à l'air) pour vérifier qu'elle fonctionne correctement.

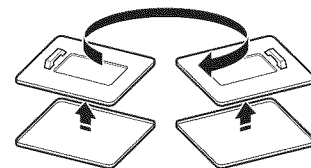
INVERSION DU SENS D'OUVERTURE DE LA PORTE (FACULTATIF)

Le sens d'ouverture de la porte peut être changé du côté droit au côté gauche, si désiré.

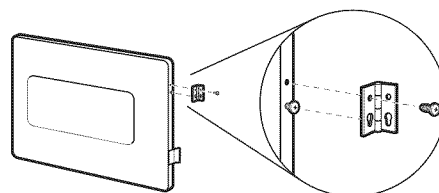


1. Ouvrir la porte de la sècheuse. Ôter les vis inférieures du côté charnière de la caisse (A). Desserrer (ne pas retirer) les vis supérieures du côté charnière de la caisse.
2. Soulever la porte jusqu'à ce que les vis supérieures de la caisse se trouvent dans la partie large de l'encoche de la charnière. Tirer la porte vers l'avant pour la dégager des vis. Retirer les vis supérieures de la caisse.
3. Retirer les vis fixant les charnières à la porte.
4. Retirer les vis de chaque côté de la porte (5 vis). Saisir les côtés de la porte externe et la soulever doucement pour la séparer de la porte interne (ne pas les séparer en forçant). Ne pas tirer sur le joint ou le loquet en plastique de la porte.

5. Fixer à nouveau le panneau de porte à la porte interne de façon à ce que la poignée se trouve du côté où les vis viennent d'être retirées.

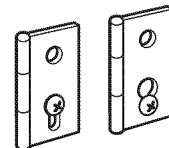


6. Fixer les charnières de porte à la porte de la sècheuse de façon à ce que le trou le plus gros se trouve au fond de la charnière et que l'axe de la charnière soit orienté vers l'avant de la porte.



7. Ôter les 4 vis fixant les 2 bouchons d'obturation (B) du côté de la poignée. Fixer les bouchons d'obturation au côté opposé à l'aide des mêmes 4 vis.

8. Insérer les vis dans les trous inférieurs du côté gauche de la caisse. Serrer les vis à moitié. Positionner la porte de façon à ce que le côté large de l'encoche de la charnière de porte se trouve au-dessus des vis. Faire glisser la porte vers le haut de façon à ce que les vis se trouvent au fond des encoches. Resserrer les vis. Insérer les vis supérieures dans les charnières et les serrer.



9. Fermer la porte et vérifier que la gâche de la porte est alignée avec le loquet (C).

INSTRUCTIONS D'ENTRETIEN

Instructions d'entretien :

- Nettoyer le filtre à charpie après chaque utilisation.
- Comment enlever la charpie accumulée :
 - De l'intérieur de la sècheuse :

Il faut retirer la charpie tous les 2 ans ou plus souvent, selon l'utilisation de la sècheuse. Le nettoyage doit être effectué par une personne qualifiée.
 - Du conduit d'évacuation :

Il faut retirer la charpie tous les 2 ans ou plus souvent, selon l'utilisation de la sècheuse.
- Tenir les matériaux combustibles, essence ou autres vapeurs ou liquides inflammables, à l'écart de la zone entourant la sècheuse.
- Tenir les objets qui pourraient obstruer le flux de combustion et de ventilation à l'écart de la zone entourant la sècheuse.

Si la sècheuse ne fonctionne pas, vérifier ce qui suit :

- Le circuit d'alimentation électrique est bien connecté.
- Les disjoncteurs ne sont pas ouverts et les fusibles sont intacts.
- La porte est fermée.
- Les boutons de commande sélectionnent une configuration de fonctionnement.
- Un programme a été sélectionné.
- Pour une sècheuse à gaz, vérifier que les robinets de la canalisation de gaz sont ouverts.

Si vous avez besoin d'aide :

Le Centre d'assistance d'appareils de buanderie commerciaux répondra à toute question concernant le fonctionnement et l'entretien de la sècheuse non abordée dans les instructions d'installation. Il suffit de composer le 1-800 NO BELTS (1-800-662-3587). La communication est gratuite.

Lors de l'appel, vous devrez communiquer les numéros de modèle et de série de la sècheuse; les deux numéros sont inscrits sur la plaque signalétique située dans le logement de la porte de la sècheuse.

RÉGLAGE DE LA COMMANDE ÉLECTRONIQUE

⚠ AVERTISSEMENT



Risque de choc électrique

Déconnecter la source de courant électrique avant l'entretien.

Replacer pièces et panneaux avant de faire la remise en marche.

Le non-respect de ces instructions peut causer un décès ou un choc électrique.

IMPORTANT

Circuits électroniques sensibles aux décharges électrostatiques

Le risque de décharge électrostatique est permanent. Une décharge électrostatique peut endommager ou affaiblir les composants électroniques. La nouvelle carte peut donner l'impression qu'elle fonctionne correctement après la réparation, mais une décharge électrostatique peut lui avoir fait subir des dommages qui provoqueront une défaillance plus tard.

- Utiliser un bracelet de décharge électrostatique. Connecter le bracelet à la vis verte de liaison à la terre ou sur une surface métallique non peinte de l'appareil.

-OU-

Toucher plusieurs fois du doigt la vis verte de liaison à la terre ou une surface métallique non peinte de l'appareil.

- Avant de retirer la pièce de son sachet, placer le sachet antistatique en contact avec la vis verte de liaison à la terre ou une surface métallique non peinte de l'appareil.
- Éviter de toucher les composants électroniques ou les broches de contact; tenir la carte de circuits électroniques par les bords seulement lors des manipulations.
- Lors du réemballage d'une carte de circuits électroniques défaillante dans le sachet antistatique, appliquer les instructions ci-dessus.

INFORMATION GÉNÉRALE POUR L'UTILISATEUR

Afficheur vierge

Cette situation indique que l'appareil n'est pas opérationnel. Accéder au mode de configuration pour voir le code de diagnostic.

Affichage de '0 Minutes'

Ceci indique qu'il n'est pas possible de faire fonctionner l'appareil. L'information sur les pièces insérées ou les entrées de débit sera mémorisée mais ne peut être utilisée avant le rétablissement du fonctionnement normal par une manoeuvre d'ouverture/fermeture de la porte. En cas de défaillance du contacteur de porte, on doit le remplacer pour pouvoir rétablir le fonctionnement normal.

Mise en marche à froid (pour la première utilisation)

L'appareil a été programmé à l'usine comme suit :

- 5 minutes - temps de séchage/0,25 \$ (pièce 1).
- Prix d'utilisation 1,50 \$ (programme fixe avec addition de temps – modèles PD).
- Prix d'utilisation 0,00 \$ (programme fixe –modèles PR).

Remise en marche après une interruption de l'alimentation

Quelques secondes après la restauration de l'alimentation, si un programme était en cours d'exécution lors de l'interruption, 'RESELECT CYCLE' (sélectionner le programme de nouveau) clignote sur l'afficheur. Ceci indique qu'il est nécessaire d'appuyer sur une des touches de configuration/paramétrage (tissu) pour commander la remise en marche de la sècheuse.

Prix de l'utilisation

Après l'ouverture de la porte à l'achèvement d'un programme, l'afficheur présente le prix d'utilisation (sauf si l'appareil est réglé pour l'utilisation gratuite). Lors de l'enregistrement de l'introduction de pièces ou d'un débit, l'information affichée change et guide l'utilisateur pour le lancement d'un programme. Il y a quatre (4) types de tarification :

Prix d'utilisation fixé

Une sècheuse configurée pour 'Programme fixe' (Fixed Cycle) peut seulement accepter du temps additionnel accumulé par incréments égaux à la durée d'un programme de séchage complet. L'utilisateur peut acheter un maximum de 99 minutes d'utilisation; aucun crédit additionnel n'est donné lors quel'afficheur présente 99.

Tarification Accumulateur

Si le prix est fixé à une pièce 1, le mode Accumulateur est en vigueur (pour un modèle superposé PD, on doit également sélectionner Programme fixe avec l'option Top Off (addition de temps)). Le temps d'utilisation peut être acheté à raison d'une pièce à la fois (modèles PD) jusqu'à un maximum de 99 minutes. Pour une machine PD superposée, au mode tarification Accumulateur tout l'argent introduit est porté au crédit d'un programme par une unique pression sur un bouton.

Prix programme fixe avec Top Off(addition de temps)

Une sècheuse configurée pour permettre l'emploi de l'option 'Top Off' permet l'addition de temps de séchage à un programme existant, par incréments égaux au nombre de minutes de séchage allouées par pièce de 0,25 \$ (pièce 1), jusqu'à 99 minutes, quel que soit le montant à payer pour la mise en marche de la machine. Aucun crédit n'est accordé pour les pièces insérées ou un paiement par carte de débit lorsque l'afficheur présente 99 minutes. Modèles PR : Au mode Paiement débit amélioré, le prix pour addition de temps peut être défini indépendamment. (Voir VALEUR DE LA PIÈCE 2), et le temps ajouté est calculé à partir de l'équation suivante:

$$\frac{\text{prix pour addition de temps}}{\text{prix du programme complet}} = \frac{\text{temps ajouté}}{\text{durée du programme complet}}$$

L'incrément Centime n'est pas appliqué pour les achats de temps ajouté.

Programmes gratuits et modèles PN

Pour ceci, on règle le prix de l'utilisation à zéro; l'afficheur présente alors 'SELECT CYCLE' (sélectionner le programme) plutôt que le prix d'une utilisation. Tout programme commencé comme programme gratuit prend fin automatiquement lors de l'ouverture de la porte.

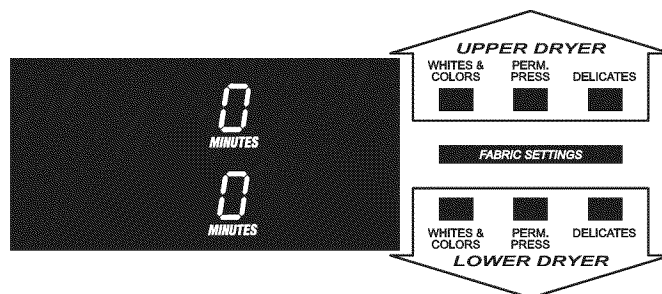
Prêt pour carte de débit

Cet appareil est préconfiguré pour l'utilisation des cartes de débit; il est compatible avec une variété de systèmes de paiement par carte de débit, mais il n'est PAS fourni avec un lecteur de carte de débit. Pour le réglage approprié de la machine, voir les instructions fournies par le fabricant du lecteur de carte de débit. Pour un modèle converti pour l'utilisation d'une carte de débit Génération 1, les impulsions de débit sont équivalentes à l'insertion d'une pièce (pièce 1).

AFFICHEUR

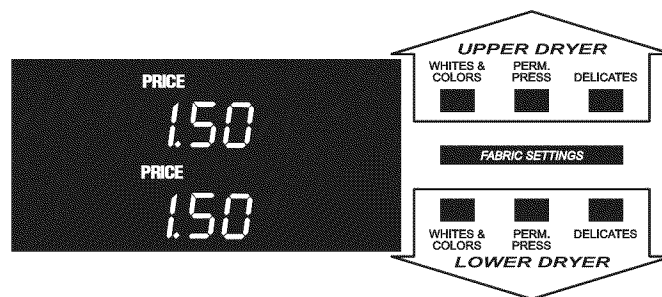
Après l'installation initiale et le branchement de l'appareil, l'afficheur présente '0 MINUTES'.

Modèles à charge PR superposée



Après le branchement de l'appareil et l'ouverture puis la fermeture de la porte, l'afficheur présente le prix. Pour les Modèles PR réglés pour l'utilisation gratuite, l'afficheur présente 'SELECT CYCLE' (sélectionner le programme) avec clignotement (pas représenté).

Modèles à charge PD superposée



PROCÉDURES DE RÉGLAGE DES SYSTÈMES DE COMMANDE

IMPORTANT : Lire la totalité des instructions avant l'utilisation.

Pour le réglage des systèmes de commande de la sècheuse, on utilise les touches de réglage (tissu) et l'afficheur numérique. L'afficheur peut présenter 4 chiffres et/ou lettres et un point décimal, qui indiquent les codes de paramétrage et les valeurs connexes disponibles pour la programmation de l'appareil.

Utilisation des touches pour la programmation des commandes

1. La touche WHITES AND COLORS (blancs et couleurs) permet la sélection des valeurs associées aux codes de paramétrage. Une pression sur la touche fait augmenter la valeur de un (1); si on maintient la pression sur la touche, la valeur affichée augmente rapidement.

2. La touche PERM.PRESS (pressage permanent) commande la progression parmi les codes de paramétrage. Une pression sur la touche provoque le passage au code de paramétrage suivant; une pression constante sur la touche commande le défilement automatique des codes à raison de un code par seconde.

3. La touche DELICATES (articles délicats) permet de sélectionner/désélectionner les options.

Paramétrage pour mise en marche

■ Modèles PD à charge unique : Insérer la clé de la porte d'accès; tourner et soulever pour enlever la porte d'accès.

■ Modèles PR à charge unique : Après installation du lecteur de carte de débit (conformément aux instructions du fabricant du lecteur de carte), pour accéder au mode de paramétrage, insérer la carte de paramétrage manuel (fournie par le fabricant du lecteur de carte) dans le lecteur de carte. Si une carte de paramétrage manuel n'est pas disponible, on peut également enlever le connecteur AA1 sur la carte des circuits pour accéder au mode de paramétrage manuel.

IMPORTANT: Ne pas ouvrir la console avant d'avoir déconnecté la sècheuse de toute source d'énergie. Pour accéder au connecteur AA1 :

→ Débrancher la sècheuse ou déconnecter la source de courant électrique.

→ Ouvrir la console, débrancher le connecteur AA1, refermer la console.

→ Brancher la sècheuse ou reconnecter la source de courant électrique.

■ Modèles PD superposés : Insérer et faire tourner dans le sens antihoraire la clé du panneau de l'ouverture d'accès.

■ Modèles PR superposés : Après l'installation du lecteur de carte de débit (conformément aux instructions du fabricant du lecteur de carte de débit), on peut accéder au mode de configuration/paramétrage : insérer une carte de configuration manuelle (fournie par le fabricant du lecteur de carte) dans la fente d'insertion de carte.

Si aucune carte de configuration manuelle n'est disponible, faire tourner la clé du panneau de l'ouverture d'accès pour accéder au mode de configuration manuelle.

La sècheuse est maintenant au mode de configuration/paramétrage.

Avant de poursuivre, noter que malgré le grand nombre d'options disponibles, le propriétaire de l'appareil peut décider des implément débiter sa nouvelle machine commerciale, la brancher et la raccorder; elle sera alors parfaitement opérationnelle.

■ Les modèles PR sont préconfigurés à l'usine pour un mode de fonctionnement gratuit, de sorte qu'il est possible de les faire fonctionner sans lecteur ni pièce.

CODES DE PARAMÉTRAGE

■ La touche PERM. PRESS permet de passer d'un code au suivant.

■ La touche WHITES AND COLORS fait changer la valeur du code.

■ La touche DELICATES permet de sélectionner et désélectionner les options.

POUR LES MODÈLES PR : Les codes de paramétrage sont identiques au modèle PD, sauf quand spécifié.

NOTE : Sur tous les modèles de sècheuses superposées, les sélections effectuées en terme de programmation s'appliquent aux deux sècheuses. Dans le cas de sècheuses superposées, il faut appuyer sur les touches de la SÈCHEUSE INFÉRIEURE pour effectuer les sélections. Le caractère ou les deux caractères situés le plus à gauche correspondent au code de configuration. Les deux ou les trois caractères situés le plus à droite correspondent à la valeur du code de configuration.

CODE	EXPLICATION
<u>5.05</u>	PRIX POUR PROGRAMME RÉGULIER
<u>5.05</u>	Ceci représente le nombre de pièces de 0,25 \$ (pièce 1); réglage dans la plage 0-39. (Voir VALEUR POUR PIÈCE 1 b.05) Pour faire augmenter le chiffre affiché entre 0-39, appuyer sur la touche WHITES AND COLORS. Configuré à l'usine pour 6 pièces de 0,25 \$ = 1,50 \$. MODÈLES PR SEULEMENT : Configuré à l'usine pour 0 pièce de 0,25 \$. → Appuyer une fois sur la touche PERM.PRESS pour passer au code suivant.
<u>7.05</u>	TEMPS DE SÉCHAGE RÉGULIER
<u>7.05</u>	Ceci représente le nombre de minutes de séchage par pièce de 0,25 \$ (pièce 1). Configuré à l'usine pour 5 minutes par pièce. Exemple : 6 pièces de 0,25 \$ x 5 minutes = 30 minutes. La touche WHITES AND COLORS permet de faire varier la valeur dans la plage 1-99 minutes. Exemple : '730' représente 30 minutes → Appuyer une fois sur la touche PERM.PRESS pour passer au code suivant.
<u>8.00</u>	TYPE DE TARIFICATION DU SÉCHAGE
<u>8.00</u>	Programme fixe avec Top Off. Voir la description détaillée dans Information générale pour l'utilisateur.
<u>8.FC</u>	Programme fixe. Voir la description détaillée dans Information générale pour l'utilisateur. Utiliser la touche DELICATES pour effectuer cette sélection. MODÈLES PR SEULEMENT : Configuré à l'usine pour FC. → Appuyer une fois sur la touche PERM. PRESS pour passer au code suivant.
<u>9.00</u>	OPTION DE COMPTAGE DU NOMBRE DE PROGRAMMES
<u>9.00</u>	Cette option peut être SÉLECTIONNÉE ('ON') ou PAS SÉLECTIONNÉE ('OFF').
<u>9.00</u>	Pas sélectionnée ('OFF').
<u>9.00</u>	Option sélectionnée et impossibilité de désélection. Appuyer 3 fois consécutives sur la touche DELICATES pour sélectionner 'ON' (active). Lorsque 'ON' a été sélectionné, on ne peut désélectionner l'option. → Appuyer une fois sur la touche PERM. PRESS pour passer au code suivant.
<u>1.00</u>	OPTION COMPTEUR DE MONNAIE
<u>1.00</u>	Cette option peut être SÉLECTIONNÉE ('ON') ou PAS SÉLECTIONNÉE ('OFF').
<u>1.00</u>	Pas sélectionnée ('OFF').
<u>1.00</u>	Option sélectionnée ('ON'). Appuyer 3 fois consécutives sur la touche DELICATES pour sélectionner 'ON' (active); appuyer 3 fois sur la touche pour désélectionner l'option. Le compteur passe de 'OFF' (inactive) à 'ON' (active).
<u>1.00</u>	Option sélectionnée et impossibilité de désélection. Pour sélectionner 'ON' avec impossibilité de désélection, sélectionner d'abord 'ON'. Puis en moins de deux secondes appuyer deux fois sur la touche DELICATES et une fois sur la WHITES AND COLORS, et quitter le mode de paramétrage. → Appuyer une fois sur la touche PERM.PRESS pour passer au code suivant.
<u>2.00</u>	OPTION DE PRIX SPÉCIAL
<u>2.00</u>	Cette option peut être SÉLECTIONNÉE ('ON') ou PAS SÉLECTIONNÉE ('OFF').
<u>2.00</u>	Pas sélectionnée ('OFF').
<u>2.5P</u>	Option sélectionnée ('ON'). Appuyer une fois sur la touche DELICATES pour cette sélection. Si l'OPTION DE PRIX SPÉCIAL est sélectionnée, on a accès aux codes '3' à '9'. → Appuyer une fois sur la touche PERM.PRESS pour passer au code suivant.

CODE	EXPLICATION
OPTIONS DISPONIBLES SI L'OPTION DE PRIX SPÉCIAL A ÉTÉ SÉLECTIONNÉE :	
<u>3.06</u>	PRIX POUR PROGRAMME SPÉCIAL
<u>3.06</u>	Ceci représente le nombre de pièces de 0,25 \$ (pièce 1); réglage dans la plage 0–39. (Voir VALEUR POUR PIÈCE 1 b.05). Pour faire augmenter le chiffre affiché entre 0–39, appuyer sur la touche WHITES AND COLORS. Configuré à l'usine : 6 pièces de 0,25 \$ = 1,50 \$. MODÈLES PR SEULEMENT : Configuré à l'usine : 0 pièce de 0,25 \$. → Appuyer une fois sur la touche PERM. PRESS pour passer au code suivant.
<u>4.05</u>	TEMPS DE SÉCHAGE SPÉCIAL
<u>4.05</u>	Ceci représente le nombre de minutes de séchage par pièce de 0,25 \$ (pièce 1). Configuré à l'usine pour 5 minutes par pièce. Exemple : 6 pièces de 0,25 \$ x 5 minutes = 30 minutes. La touche WHITES AND COLORS (blancs et couleurs) permet de faire varier la valeur dans la plage 1–99 minutes. Exemple : '4.30' représente 30 minutes. → Appuyer une fois sur la touche PERM. PRESS pour passer au code suivant.
<u>5.00</u>	HORLOGE-MINUTES
<u>5.00</u>	Sélection du nombre de minutes pour l'HORLOGE; sélectionner une valeur de 0–59 minutes : appuyer sur la touche WHITES AND COLORS. → Appuyer une fois sur la touche PERM. PRESS pour passer au code suivant.
<u>6.00</u>	HORLOGE-HEURES NOTE : Utilisation du format 24 h.
<u>6.00</u>	Sélection du nombre d'heures pour l'HORLOGE; sélectionner une valeur de 0–23 heures : appuyer sur la touche WHITES AND COLORS. → Appuyer une fois sur la touche PERM. PRESS pour passer au code suivant.
<u>7.00</u>	PRIX SPÉCIAL - HEURE DE COMMENCEMENT NOTE : Utilisation du format 24 h.
<u>7.00</u>	Sélection de l'heure de commencement pour cette tarification; 0–23 heures. Sélectionner START HOUR (heure de commencement) : appuyer sur la touche WHITES AND COLORS. → Appuyer une fois sur la touche PERM. PRESS pour passer au code suivant.
<u>8.00</u>	PRIX SPÉCIAL-HEURE D'EXPIRATION NOTE : Utilisation du format 24 h.
<u>8.00</u>	Sélection de l'heure d'expiration pour cette tarification; 0–23 heures. Sélectionner STOP HOUR (heure d'expiration) : appuyer sur la touche WHITES AND COLORS. → Appuyer une fois sur la touche PERM. PRESS pour passer au code suivant.

CODE	EXPLICATION																								
<u>9.10</u>	JOUR POUR PRIX SPÉCIAL																								
<u>9.10</u>	Ceci représente le jour de la semaine sélectionné, et la sélection de la tarification spéciale pource jour. Un chiffre suivi de '0' indique que cette option n'est pas sélectionnée pour le jour particulier concerné (9.10). Un chiffre suivi d'un 'S' indique que cette option est sélectionnée pour le jour concerné (9.1S). Pour sélectionner le jour de la semaine (1-7), appuyer sur la touche WHITES AND COLORS. Appuyer une fois sur la touche DELICATES pour sélectionner l'option de prix spécial pour chaque jour choisi. Lorsqu'on quitte le code de paramétrage '9.', l'afficheur doit présenter le jour courant de la semaine : <table border="1" style="margin-left: 20px;"> <thead> <tr> <th>AFFICHEUR</th> <th>JOUR DE LA SEMAINE</th> <th>CODE (sélectionné)</th> </tr> </thead> <tbody> <tr> <td>10</td> <td>Jour 1 = Dimanche</td> <td>1S</td> </tr> <tr> <td>20</td> <td>Jour 2 = Lundi</td> <td>2S</td> </tr> <tr> <td>30</td> <td>Jour 3 = Mardi</td> <td>3S</td> </tr> <tr> <td>40</td> <td>Jour 4 = Mercredi</td> <td>4S</td> </tr> <tr> <td>50</td> <td>Jour 5 = Jeudi</td> <td>5S</td> </tr> <tr> <td>60</td> <td>Jour 6 = Vendredi</td> <td>6S</td> </tr> <tr> <td>70</td> <td>Jour 7 = Samedi</td> <td>7S</td> </tr> </tbody> </table> → Appuyer une fois sur la touche PERM. PRESS pour passer au code suivant.	AFFICHEUR	JOUR DE LA SEMAINE	CODE (sélectionné)	10	Jour 1 = Dimanche	1S	20	Jour 2 = Lundi	2S	30	Jour 3 = Mardi	3S	40	Jour 4 = Mercredi	4S	50	Jour 5 = Jeudi	5S	60	Jour 6 = Vendredi	6S	70	Jour 7 = Samedi	7S
AFFICHEUR	JOUR DE LA SEMAINE	CODE (sélectionné)																							
10	Jour 1 = Dimanche	1S																							
20	Jour 2 = Lundi	2S																							
30	Jour 3 = Mardi	3S																							
40	Jour 4 = Mercredi	4S																							
50	Jour 5 = Jeudi	5S																							
60	Jour 6 = Vendredi	6S																							
70	Jour 7 = Samedi	7S																							
<u>R.00</u>	OPTION AFFICHAGE DU CONTENU DU COFFRE Cette option peut être SÉLECTIONNÉE ('ON') ou PAS SÉLECTIONNÉE ('OFF').																								
<u>R.00</u>	Pas sélectionnée ('OFF').																								
<u>R.5C</u>	Option sélectionnée ('ON'). Appuyer une fois sur la touche DELICATES pour cette sélection. Lorsque l'option est sélectionnée, le montant d'argent et/ou le nombre de programmes (si on a sélectionné le comptage) est visible lorsque la boîte à pièces a été enlevée. → Appuyer une fois sur la touche PERM. PRESS pour passer au code suivant.																								
<u>b.05</u>	VALEUR DE LA PIÈCE 1																								
<u>b.05</u>	Ceci représente la valeur de la pièce 1, en multiples de 0,05 \$: 05 = 0,25 \$. Par des pressions sur la touche WHITES AND COLORS, on peut sélectionner une valeur de 1 à 199 (multiples de 0,05 \$). → Appuyer une fois sur la touche PERM. PRESS pour passer au code suivant.																								
<u>c.20</u>	VALEUR DE LA PIÈCE 2																								
<u>c.20</u>	Ceci représente la valeur de la pièce 2, en multiple de 0,05 \$. 20 = 1,00 \$. Par des pressions sur la touche WHITES AND COLORS, on peut sélectionner une valeur de 1 à 199 (multiple de 0,05 \$). MODÈLES PR SEULEMENT : Pour un modèle PR, avec utilisation du paiement amélioré par débit, ce champ représente la valeur du temps additionnel en multiple de 0,05 \$. MODÈLES PR : Configurés à l'usine : 0,25 \$. → Appuyer une fois sur la touche PERM. PRESS pour passer au code suivant.																								
<u>d.00</u>	OPTION GLISSIÈRE À PIÈCES Cette option peut être SÉLECTIONNÉE ('ON') ou PAS SÉLECTIONNÉE ('OFF').																								
<u>d.00</u>	Pas sélectionnée ('OFF').																								
<u>d.C5</u>	Option sélectionnée ('ON'). Appuyer 3 fois consécutives sur la touche DELICATES pour cette sélection. Lorsqu'on sélectionne le mode de glissière à pièces, sélectionner une valeur 'b.' égale à la valeur des pièces placées dans la glissière, en multiple de 0,05 \$. Pour le nombre de manœuvres de la glissière d'introduction des pièces, sélectionner '606' (PRIX DU PROGRAMME RÉGULIER) et '3.06' (PRIX DU PROGRAMME SPÉCIAL). NOTE : Si l'installateur sélectionne le paramétrage 'CS' sur un modèle à pièces, l'appareil n'enregistrera pas les pièces. → Appuyer une fois sur la touche PERM. PRESS pour passer au code suivant.																								

CODE	EXPLICATION
<u>E.00</u>	OPTION ADDITION DE PIÈCES Cette option peut être SÉLECTIONNÉE ('ON') ou PAS SÉLECTIONNÉE ('OFF'). Cette option commande l'affichage du nombre de pièces (pièce 1) à insérer, plutôt que d'un montant monétaire.
<u>E.00</u>	Pas sélectionnée ('OFF').
<u>E.AC</u>	Option sélectionnée ('ON'). Appuyer 3 fois consécutives sur la touche DELICATES pour cette sélection. MODÈLES PR SEULEMENT : Si le mode de paiement amélioré par débit est utilisé, cette option ne peut pas être sélectionnée. → Appuyer une fois sur la touche PERM. PRESS pour passer au code suivant.
<u>J.Ed</u>	OPTION PIÈCES/DÉBIT
<u>J.Ed</u>	Sélection du paiement par pièces et par carte de débit.
<u>J.E_</u>	Paiement par pièces sélectionné; paiement par carte de débit désactivé. Appuyer sur la touche DELICATES pour cette sélection.
<u>J._d</u>	Paiement par carte de débit sélectionné, paiement par pièces désactivé. Appuyer sur la touche DELICATES pour cette sélection.
<u>J.Ed</u>	L'option de paiement améliorée/carte de débit est auto-sélectionnée lors de l'installation d'un lecteur de carte Génération 2 sur la sècheuse. On ne peut sélectionner / désélectionner manuellement l'option 'Ed'. → Appuyer une fois sur la touche PERM. PRESS pour passer au code suivant.
<u>L.00</u>	OPTION SUPPRESSION DU PRIX Cette option peut être SÉLECTIONNÉE ('ON') ou PAS SÉLECTIONNÉE ('OFF'). Lorsque cette option est sélectionnée, l'afficheur présente le message 'ADD'(ajouter) ou 'AVAILABLE' (disponible) plutôt que le montant monétaire à ajouter. (Utilisation principalement avec l'emploi du paiement par carte de débit.)
<u>L.00</u>	Pas sélectionnée ('OFF').
<u>L.P5</u>	Option sélectionnée ('ON'). Appuyer une fois sur la touche DELICATES pour cette sélection. → Appuyer une fois sur la touche PERM. PRESS pour passer au code suivant.
<u>n.CE</u>	OPTION EFFACEMENT DU MONTANT MÉMORISÉ Cette option peut être SÉLECTIONNÉE ('ON') ou PAS SÉLECTIONNÉE ('OFF'). Lorsque cette option est sélectionnée, un montant conservé en mémoire est effacé après 30 minutes sans autre activité.
<u>n.00</u>	Option sélectionnée ('ON').
<u>n.CE</u>	Pas sélectionnée ('OFF'). Appuyer une fois sur la touche DELICATES pour désélectionner cette option. → Appuyer une fois sur la touche PERM. PRESS pour passer au code suivant.
<u>U.00</u>	INCRÉMENT CENTIME
<u>U.00</u>	Ceci représente la valeur de l'incrément de prix utilisé sur le modèle PR Génération 2 (paiement par carte de débit/amélioration). Appuyer sur la touche WHITES AND COLOR pour sélectionner une valeur de 0 à 4 centimes. → Appuyer une fois sur la touche PERM. PRESS pour passer au code suivant.

Si le compteur de programme (90C) est sélectionné, ce qui suit est vrai :

100	Représente le nombre de programmes, en CENTAINES.	1 <u>02</u> = 200
200	Représente le nombre de programmes, en UNITÉS.	2 <u>25</u> = 25
		TOTAL = 225 programmes

Cette information est "SEULEMENT AFFICHÉE"; on ne peut l'effacer.

Appuyer une fois sur la touche PERM. PRESS pour passer au code suivant.

Si le compteur monétaire (1.0C ou 1.C0) est sélectionné, ce qui suit est vrai :

300	Nombre de dollars, en CENTAINES.	3 <u>01</u> = \$100,00
400	Nombre de dollars, en UNITÉS.	4 <u>68</u> = \$ 68,00
500	Nombre de CENTIMES.	5 <u>75</u> = \$ 0,75
		TOTAL = \$168,75

FIN DES PROCÉDURES DE PARAMÉTRAGE

POUR QUITTER LE MODE DE PARAMÉTRAGE

- Modèles PD : Réinstaller la porte d'accès.
- Modèles PR :
 - Débrancher la laveuse ou déconnecter la source de courant électrique.
 - Ouvrir la console, remettre en place le connecteur AA1; fermer la console.
 - Brancher la laveuse ou reconnecter la source de courant électrique.

CODES DE DIAGNOSTIC

Si un des événements suivants est survenu avant qu'on accède au mode deparamétrage, le code de diagnostic approprié sera visible sur l'afficheur.

SÉCHEUSES SUPERPOSÉES

CODE	EXPLICATION
<i>d 1</i>	Porte sècheuse supérieure - Détection d'une erreur sur la carte de circuits ou du fait d'une interférence avec le circuit d'alimentation (programmes sècheuse supérieure et afficheur sècheuse supérieure désactivés jusqu'à la suppression manuelle du code de diagnostic).
<i>d 4</i>	Sècheuse inférieure – Détection d'une erreur du circuit de commande du moteur (programmes sècheuse inférieure et afficheur sècheuse inférieure désactivés jusqu'à la suppression manuelle du code de diagnostic).
<i>d 5</i>	Blocage d'une pièce 1 ou défaillance du circuit de contrôle de l'introduction de pièces (système de reconnaissance de pièce et affichage du prix désactivés jusqu'à l'élimination du blocage).
<i>d 9</i>	Détection d'une tension inférieure à 90 V CA pendant 8 secondes.
<i>d 12</i>	Moteur sècheuse inférieure - Détection d'une erreur sur la carte de circuits ou du fait d'une interférence avec le circuit d'alimentation (programmes sècheuse inférieure et afficheur sècheuse inférieure désactivés jusqu'à la suppression manuelle du code de diagnostic).
<i>d 13</i>	Blocage d'une pièce 2 ou défaillance du circuit de contrôle de l'introduction de pièces (système de reconnaissance de pièce et affichage du prix désactivés jusqu'à l'élimination du blocage).
<i>d 14</i>	Moteur sècheuse supérieure - Détection d'une erreur sur la carte de circuits ou du fait d'une interférence avec le circuit d'alimentation (programmes sècheuse supérieure et afficheur sècheuse supérieure désactivés jusqu'à la suppression manuelle du code de diagnostic).
<i>d 15</i>	Aucune réception de communication du lecteur de carte de débit installé au mode de paiement amélioré Génération 2.
<i>d 17</i>	Porte sècheuse inférieure - Détection d'une erreur sur la carte de circuits ou du fait d'une interférence avec le circuit d'alimentation (programmes sècheuse inférieure et afficheur sècheuse inférieure désactivés jusqu'à la suppression manuelle du code de diagnostic).
<i>d 20</i>	Sècheuse supérieure – Détection d'une erreur du circuit de commande du moteur (programmes sècheuse supérieure et afficheur sècheuse supérieure désactivés jusqu'à la suppression manuelle du code de diagnostic).

GARANTIE DE LA LAVEUSE COMMERCIALE, DE LA SÈCHEUSE, DE LA SÈCHEUSE/SÈCHEUSE SUPERPOSÉE, DE L'ENSEMBLE DE BUANDERIE COMMERCIAL SUPERPOSÉ, ET DES LAVEUSES ET SÈCHEUSES COMMERCIALES MULTI-CHARGE PAYANTES MAYTAG

GARANTIE LIMITÉE SUR LES PIÈCES

Pendant cinq ans à compter de la date d'achat, lorsque cet appareil ménager commercial est installé, utilisé et entretenu conformément aux instructions jointes à ou fournies avec le produit, Maytag marque de Whirlpool Corporation (ci-après désignée "Maytag") paiera pour les pièces de rechange spécifiées par l'usine ou les pièces de rechange d'équipement originales du fabricant pour corriger les vices de matériaux ou de fabrication. Une preuve d'achat originale est requise pour bénéficier du service de garantie.

MAYTAG NE PAIERA PAS POUR

1. Tous les autres frais, notamment la main-d'œuvre, le transport ou les taxes douanières.
 2. Les visites de service pour rectifier l'installation de l'appareil ménager commercial, montrer à l'utilisateur comment utiliser l'appareil, remplacer ou réparer des fusibles, ou rectifier le câblage ou la plomberie extérieure.
 3. Les réparations lorsque l'appareil est utilisé autrement que pour une utilisation commerciale ordinaire.
 4. Les dommages imputables à une mauvaise manipulation du produit pendant une livraison, un vol, un accident, une modification, un usage impropre, un abus, un incendie, une inondation, des actes de Dieu, une mauvaise installation, une installation non conforme aux codes locaux d'électricité et de plomberie, ou l'utilisation de produits non approuvés par Maytag.
 5. Le ramassage et la livraison. Cet appareil commercial est conçu pour être réparé sur place.
 6. Les réparations aux pièces ou systèmes résultant d'une modification non autorisée faite à l'appareil commercial.
 7. La dépose et la réinstallation de votre appareil commercial si celui-ci est installé dans un endroit inaccessible ou n'est pas installé conformément aux instructions d'installation fournies.
 8. Les dommages chimiques ne sont pas couverts par la garantie.
 9. Les modifications du bâtiment, de la pièce ou de l'emplacement nécessaires pour faire fonctionner l'appareil commercial correctement.
-

CLAUSE D'EXONÉRATION DE RESPONSABILITÉ AU TITRE DES GARANTIES IMPLICITES; LIMITATION DES RECOURS

LE SEUL ET EXCLUSIF RECOURS DU CLIENT DANS LE CADRE DE LA PRÉSENTE GARANTIE LIMITÉE CONSISTE EN LA RÉPARATION OU LE REMPLACEMENT DU PRODUIT PRÉVUS CI-DESSUS. LES GARANTIES IMPLICITES, Y COMPRIS LES GARANTIES APPLICABLES DE QUALITÉ MARCHANDE ET D'APTITUDE À UN USAGE PARTICULIER, SONT LIMITÉES À UN AN OU À LA PLUS COURTE PÉRIODE AUTORISÉE PAR LA LOI. WHIRLPOOL N'ASSUME AUCUNE RESPONSABILITÉ POUR LES DOMMAGES FORTUITS OU INDIRECTS. CERTAINES JURIDICTIONS NE PERMETTENT PAS L'EXCLUSION OU LA LIMITATION DES DOMMAGES FORTUITS OU INDIRECTS, OU LES LIMITATIONS DE LA DURÉE DES GARANTIES IMPLICITES DE QUALITÉ MARCHANDE OU D'APTITUDE À UN USAGE PARTICULIER, DE SORTE QUE CES EXCLUSIONS OU LIMITATIONS PEUVENT NE PAS S'APPLIQUER DANS VOTRE CAS. CETTE GARANTIE VOUS CONFÈRE DES DROITS JURIDIQUES SPÉCIFIQUES ET VOUS POUVEZ ÉGALEMENT JOUIR D'AUTRES DROITS QUI PEUVENT VARIER D'UNE JURIDICTION À UNE AUTRE.

Si vous avez besoin de service, veuillez communiquer avec votre distributeur d'ensemble de buanderie Maytag autorisé. Pour localiser votre distributeur d'ensemble de buanderie Maytag autorisé, ou pour des demandes de renseignements sur Internet, visitez le site Web www.MaytagCommercialLaundry.com.

9/07

Vous pouvez écrire à l'adresse suivante :

Maytag Commercial Laundry Service Department
2000 M-63 North
Benton Harbor, Michigan 49085 USA

W10184580A
W10184581A - SP

© 2008
All rights reserved.
Tous droits réservés.

10/2008
Printed in U.S.A.
Imprimé aux É.-U.