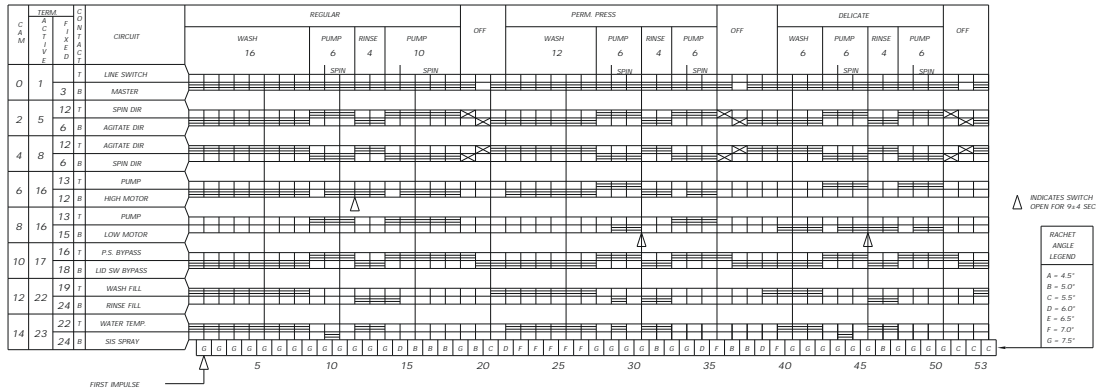
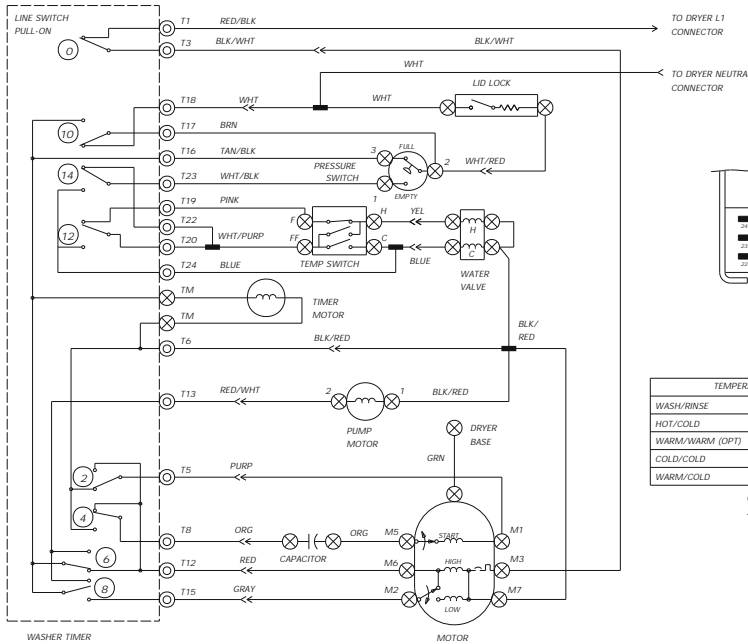


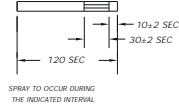
CAUTION: DISCONNECT ELECTRIC CURRENT BEFORE SERVICING



CIRCLED NUMBERS INDICATE CAM



SUBINTERVAL SPRAY DETAIL

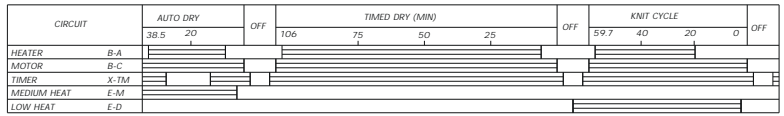


WIRING CODES

- ⊗ PLUG-IN TIMER
- ⊕ QUICK DISCONNECT TERMINAL
- CONNECTION
- ⊕ NO CONNECTION
- ⊕ MOTOR SWITCH
- ⊕ SPLICE
- ⊕ MOTOR PROTECTOR
- ⊕ CHASSIS (CABINET) GROUND
- ⊕ SCREW TERMINAL
- ⊕ HARNESS CONNECTOR TERMINAL
- ⊕ INSULATED TERMINAL

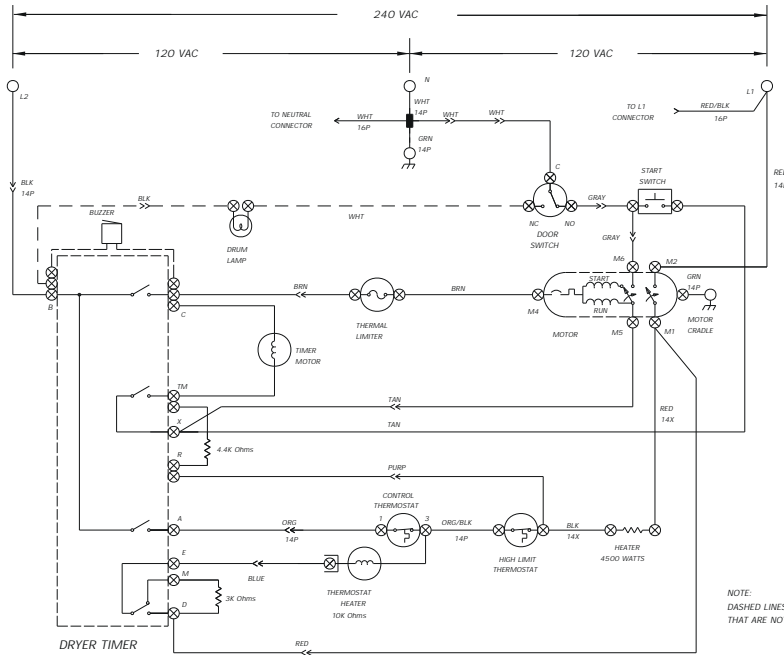
- NOTES:
- ALL WIRING MUST CONFORM TO LOCAL ELECTRICAL CODES.
  - CONNECT DRYER TO 30 AMP INDIVIDUAL BRANCH CIRCUIT.
  - DRYER TIMER SHOWN IN OFF POSITION DOOR SWITCH CLOSED, MOTOR AT REST, AND THERMOSTAT CLOSED.
- WASHER TIMER SHOWN IN ON POSITION TEMPERATURE SELECTOR SWITCH AT HOT WASH/COLD RINSE, AND PRESSURE SWITCH FULL.

CYCLES



SHADED PORTION OF BAR CHART INDICATES THE PROPORTIONAL TIMES THAT INTERNAL TIMER CONTACTS ARE CLOSED.

BAR CHART ABOVE REPRESENTS ONE COMPLETE REVOLUTION OF TIMER SHAFT.



WIRE SPECIFICATIONS

CODE	WIRE GAUGE A.W.G.	INSULATION MATERIAL
18P	18	105°C PVC (POLYVINYLCHLORIDE)
16P	16	
14P	14	125° X-LINK
14X	14	

NOTE: ALL UNSPECIFIED WIRE CODES ARE 18P.

NOTE: DASHED LINES INDICATE CIRCUITS THAT ARE NOT IN ALL MODELS.