

# Use and Care Guide



<b>Table of Contents</b> (complete) .....	2
<b>A Note to You</b> .....	2
<b>Refrigerator Safety</b> .....	3
<b>Parts and Features</b> .....	4
<b>Before Using Your Refrigerator</b> .....	6
<b>Using Your Refrigerator</b> .....	8
Attaching the optional ice maker to a water supply .....	15
Reversing the door swing .....	20
<b>Caring for Your Refrigerator</b> .....	22
<b>Food Storage Guide</b> ....	25
<b>Troubleshooting</b> .....	27
<b>Requesting Assistance or Service</b> .....	28
<b>Warranty</b> .....	30

6-96

**KITCHENAID\***  
**18' TO 21' NO-FROST**  
**TOP-FREEZER REFRIGERATOR**

2195200

# Table of Contents

	Page		Page
<b>A Note to You</b> .....	2	Adjusting the half-width freezer shelf .....	12
<b>Refrigerator Safety</b> .....	3	Adjusting the full-width freezer shelf .....	13
<b>Parts and Features</b> .....	4	Removing the roll-out freezer floor .....	13
<b>Before Using Your Refrigerator</b> .....	6	Using the optional automatic ice maker .....	14
<b>Using Your Refrigerator</b> .....	8	Attaching the optional ice maker to a water supply .....	15
Setting the controls .....	8	Removing the base grille .....	17
Changing the control settings .....	8	Changing the light bulbs .....	18
Removing the snap-on door trim .....	9	Understanding the sounds you may hear .....	19
Removing the drop-in door trim .....	9	Saving energy .....	19
Adjusting the door bins .....	9	Reversing the door swing .....	20
SLIDE 'N' LOCK* can rack .....	10	<b>Caring for Your Refrigerator</b> .....	22
Adjusting the refrigerator shelves .....	10	<b>Food Storage Guide</b> .....	25
Removing the meat locker and cover .....	11	<b>Troubleshooting</b> .....	27
Using the flip-up door shelf .....	11	<b>Requesting Assistance or Service</b> .....	28
Removing the crispers and crisper cover .....	12	<b>Warranty</b> .....	30
Adjusting the crisper humidity control .....	12		

## A Note to You

*Thank you* for buying a KITCHENAID\* appliance!

KITCHENAID designs the best tools for the most important room in your house. To ensure that you enjoy many years of trouble-free operation, we developed this Use and Care Guide. It contains valuable information concerning how to operate and maintain your new appliance properly and safely. Please read it carefully.

Also, please complete and mail the enclosed Product Registration Card.

### Please record your model's information.

Whenever you call to request service on your appliance, you need to know your complete model number and serial number. You can find this information on the model and serial number label (see diagrams on pages 4 and 5 for locations of label).

Please also record the purchase date of your appliance and your dealer's name, address, and telephone number.

Model Number \_\_\_\_\_

Serial Number \_\_\_\_\_

Purchase Date \_\_\_\_\_

Dealer Name \_\_\_\_\_

Dealer Address \_\_\_\_\_

Dealer Phone \_\_\_\_\_

Keep this book and the sales slip together in a safe place for future reference.

**Our Consumer Assistance Center number in the U.S.A., 1-800-422-1230, is toll-free.**

**Throughout Canada for assistance or service, see page 29.**

# Refrigerator Safety

## Your safety is important to us.

This guide contains statements under warning symbols. Please pay special attention to these symbols and follow any instructions given. Here is a brief explanation of the use of the warning symbol.



This symbol alerts you to hazards such as fire, electrical shock, or other injuries.

## IMPORTANT SAFETY INSTRUCTIONS

### **⚠️ WARNING**

To reduce the risk of fire, electrical shock, or injury when using your refrigerator, follow these basic precautions:

- Read all instructions before using the refrigerator.
- Never allow children to operate, play with, or crawl inside the refrigerator.
- Never clean refrigerator parts with flammable fluids. The fumes can create a fire hazard or explosion.

#### • FOR YOUR SAFETY •

DO NOT STORE OR USE GASOLINE OR OTHER FLAMMABLE VAPORS AND LIQUIDS IN THE VICINITY OF THIS OR ANY OTHER APPLIANCE. THE FUMES CAN CREATE A FIRE HAZARD OR EXPLOSION.

– SAVE THESE INSTRUCTIONS –

## Proper disposal of your old refrigerator

### **⚠️ WARNING**

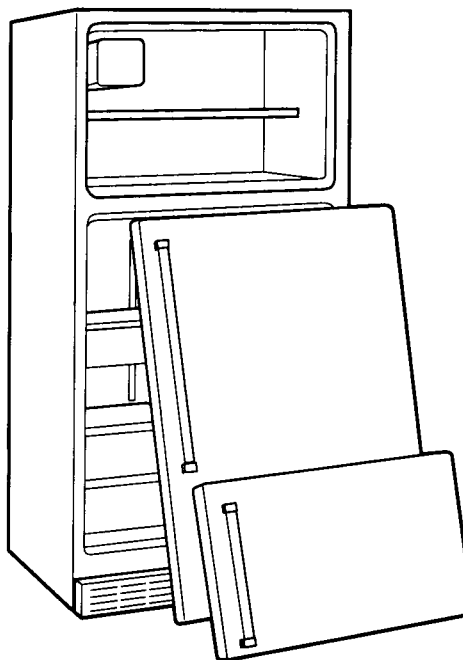
#### Suffocation Hazard

Remove doors from your old refrigerator. Failure to do so can result in death or brain damage.

**IMPORTANT:** Child entrapment and suffocation are not problems of the past. Junked or abandoned refrigerators are still dangerous ... even if they will sit for "just a few days." If you are getting rid of your old refrigerator, please follow the instructions below to help prevent accidents.

#### BEFORE YOU THROW AWAY YOUR OLD REFRIGERATOR OR FREEZER:

- Take off the doors.
- Leave the shelves in place so that children may not easily climb inside.

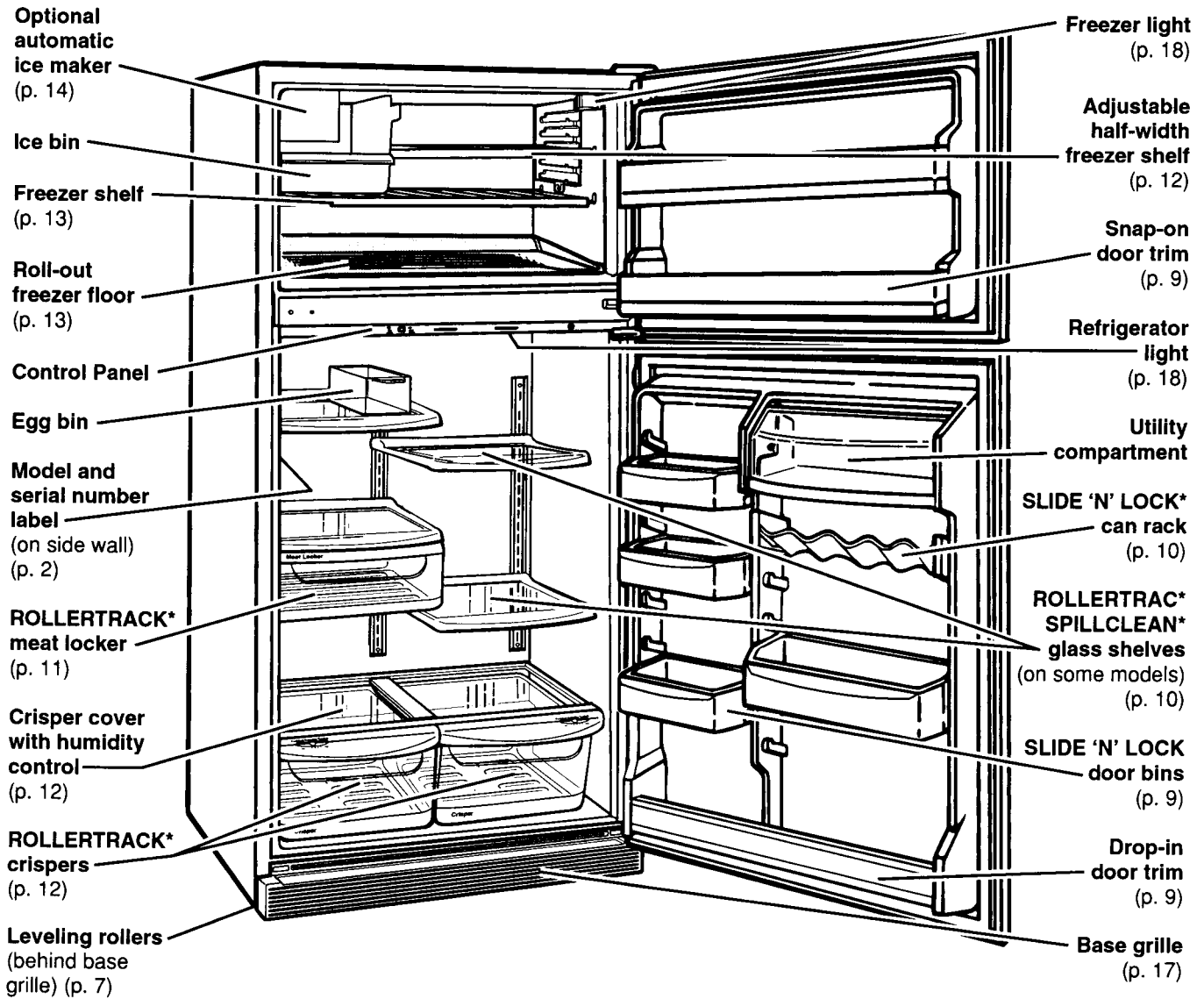


# Parts and Features

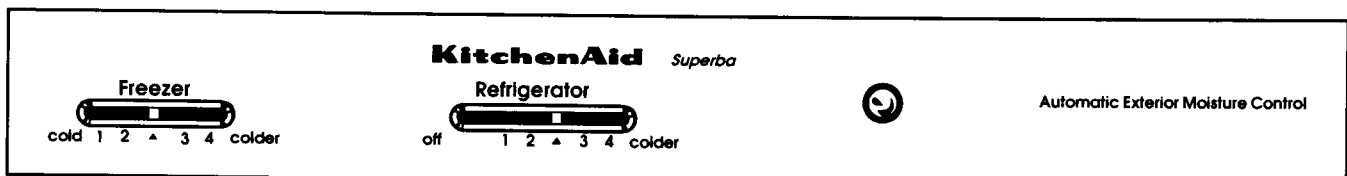
This section contains captioned illustrations of your appliance. Use them to become familiar with where all parts and features are located and what they look like. Page references are included for your convenience.

**NOTE:** The model you have purchased may have all or some of the parts and features shown and they may not match the illustration exactly. This manual covers several models.

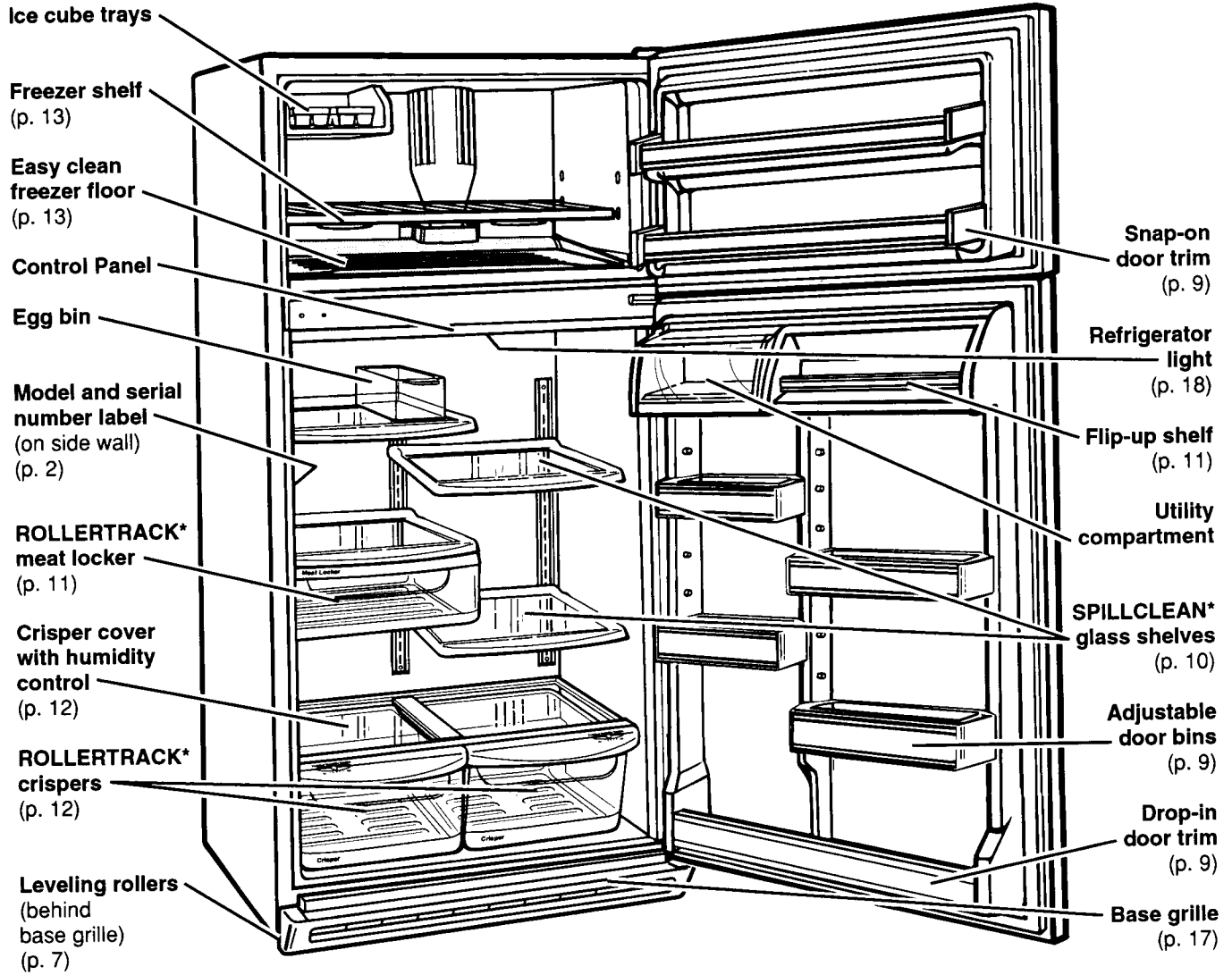
## STYLE 1



## Control Panel



## STYLE 2



# Before Using Your Refrigerator

It is important to prepare your refrigerator for use. This section tells you how to clean it, connect it to a power source, install it, and level it. For information on how to attach the optional ice maker to a water supply, see page 15, or for information on how to reverse the door swing, see page 20.

## Cleaning your refrigerator

### Removing packaging materials

Remove tape and any inside labels (except the model and serial number label) before using the refrigerator.

#### To remove any remaining tape or label glue:

- Rub briskly with thumb.

#### OR

- Apply liquid hand-dishwashing detergent to area before removing glue as described above. Do not use sharp instruments, rubbing alcohol, flammable fluids, or abrasive cleaners. These can damage the material. See "Important Safety Instructions" on page 3.


**NOTE:** Do not remove any permanent instruction labels inside your refrigerator. Do not remove the Tech Sheet fastened under the refrigerator at the front.


### Cleaning it before use

After removing all packaging materials, clean your refrigerator before using it, if necessary. See cleaning instructions on page 22.



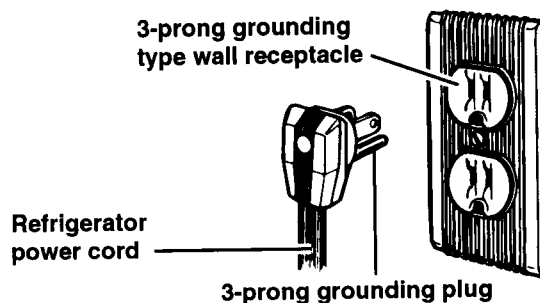
## Plugging it in

<b>⚠ WARNING</b>

<b>Fire Hazard</b> Do not use an extension cord. Doing so can result in death, fire, or electrical shock.

<b>⚠ WARNING</b>

<b>Electrical Shock Hazard</b> Plug into a grounded 3 prong outlet. Do not remove ground prong. Do not use an adapter. Failure to follow these instructions can result in death or electrical shock.

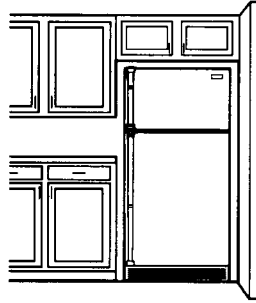
### Recommended Grounding Method

A 115 volt, 60 Hz., AC only 15 or 20 ampere fused and properly grounded electrical supply is required. It is recommended that a separate circuit serving only this appliance be provided. Use a receptacle which cannot be turned off with a switch or pull chain. Do not use an extension cord.



## Installing it properly

1. Allow ½ inch (1.25 cm) space on each side and at the top of the refrigerator for ease of installation.
2. If the hinge side of the refrigerator is to be against a wall, you might want to leave extra space so the door can be opened wider.
3. The refrigerator can be flush against the back wall.



## Leveling it

### **⚠ WARNING**



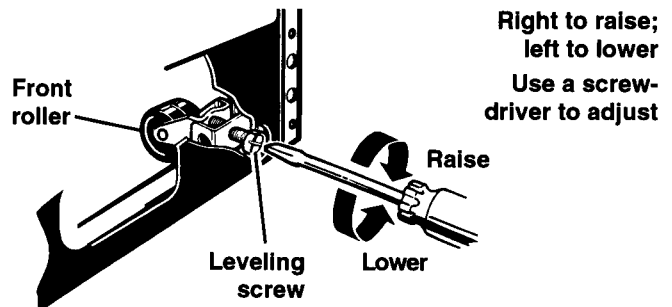
#### **Burn Hazard**

**Do not touch refrigeration tubes near defrost pan.**

**Doing so can result in burns.**

Your refrigerator has two front leveling screws – one on the right and one on the left. To adjust one or both of these, follow the directions below.

1. Remove base grille. (See page 17.)
2. To raise front, turn screw clockwise.
3. To lower front, turn screw counterclockwise.
4. Check with level.
5. Replace base grille. (See page 17.)



# Using Your Refrigerator

To obtain the best possible results from your refrigerator, it is important that you operate it properly. This section tells you how to set the controls, remove and adjust the features in your refrigerator, and how to save energy.

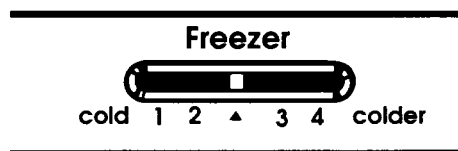
## Setting the controls

Controls for the refrigerator and freezer are in the refrigerator. When you plug in the refrigerator for the first time:

1. **Set the Refrigerator Control to ▲ (Recommended Setting).** Refrigerator Control settings range from 1 (warmest) to 4 (coldest).



2. **Set the Freezer Control to ▲ (Recommended Setting).** Freezer Control settings range from 1 (warmest) to 4 (coldest).



Give the refrigerator time to cool down completely before adding food. This may take several hours. The settings indicated above should be correct for normal, household refrigerator usage. The controls are set correctly when milk or juice is as cold as you like and when ice cream is firm. If you need to adjust these settings, see “Changing the control settings” below.

## Changing the control settings

If you need to adjust temperatures in refrigerator or freezer, use the settings listed in the chart below as a guide. If you have any questions, call our Consumer Assistance Center number, **1-800-422-1230**, from anywhere in the U.S.A.

- Adjust the Refrigerator Control first.
- Wait at least 24 hours between adjustments.
- Then adjust the Freezer Control if needed.

CONDITION:	REASON:	RECOMMENDED SETTINGS:	
		Refrigerator	Freezer
<b>Refrigerator section too warm</b>	<ul style="list-style-type: none"> <li>• Door opened often</li> <li>• Large amount of food added</li> <li>• Room temperature too warm</li> </ul>	<b>4</b>	<b>2</b>
<b>Freezer section too warm</b>	<ul style="list-style-type: none"> <li>• Door opened often</li> <li>• Large amount of food added</li> <li>• Very cold room temperature (can't cycle often enough)</li> </ul>	<b>3</b>	<b>4</b>
<b>Refrigerator section too cold</b>	<ul style="list-style-type: none"> <li>• Controls not set correctly for your conditions</li> </ul>	<b>2</b>	<b>4</b>
<b>Ice not made fast enough</b>	<ul style="list-style-type: none"> <li>• Heavy ice usage</li> <li>• Very cold room temperature (can't cycle often enough)</li> </ul>	<b>4</b>	<b>4</b>
<b>Both sections too warm</b>	<ul style="list-style-type: none"> <li>• Door opened often</li> <li>• Large amount of food added</li> <li>• Very warm or very cold room temperatures</li> </ul>	<b>4</b>	<b>4</b>



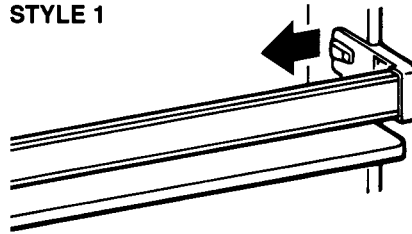
---

## Removing the snap-on door trim

### To remove the trim piece:

1. Remove all items from the shelf.
2. Pull out on the inside tab at each end.
3. Lift trim piece straight out.

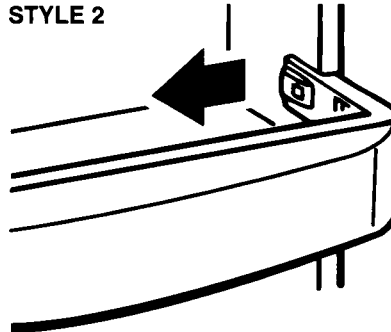
STYLE 1



### To replace the trim piece:

1. Line up ends of the trim piece with the button on the door liner wall.
2. Push trim piece straight back until it snaps securely into place.
3. Replace items on the shelf.

STYLE 2



---

## Removing the drop-in door trim

### To remove the trim piece:

1. Remove all items from the shelf.
2. Pull straight up on the trim piece at each end.



### To replace the trim piece:

1. Locate each end of the trim piece above the trim pocket opening.
2. Push the trim piece straight down until it stops.
3. Replace items on the shelf.



---

## Adjusting the door bins

Adjust the door bins to match the way you use your refrigerator.

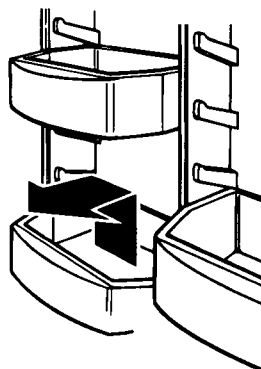
### To remove bins:

1. Lift bin up.
2. Pull bin straight out.

### To replace bins:

1. Slide bin in above desired support button.
2. Push down until it stops.

STYLE 1



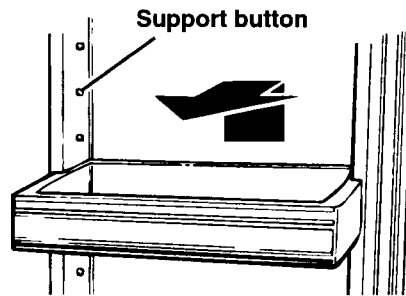
**To remove bins:**

1. Lift bin up.
2. Pull bin straight out.

**To replace bins:**

1. Hold back of bin above desired bin guide.
2. Push bin back and down until it stops.

STYLE 2



---

## SLIDE 'N' LOCK\* can rack

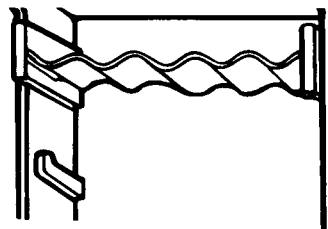
Each rack holds five beverage cans in a convenient place, leaving more room for larger items.

**To remove rack:**

1. Lift rack up.
2. Pull rack straight out.

**To replace rack:**

1. Hold back of rack above desired guide.
2. Push rack back and down until it stops.



---

## Adjusting the refrigerator shelves

Adjust the shelves to match the way you use your refrigerator.

### SPILLCLEAN\* cantilever shelves

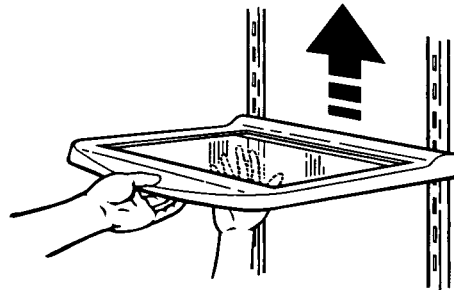
**To remove shelves:**

1. Tilt shelf up at front.
2. Lift shelf up at back.
3. Pull shelf straight out.

**IMPORTANT:** Glass shelves are heavy. Handle with care.

**To replace shelves:**

1. Guide the rear hooks of shelf into slots in the shelf supports.
2. Tilt shelf up at front until hooks drop into slots. Lower front of shelf to level position.
3. Check the stability of the shelf to be sure hooks have been inserted properly.



### ROLLERTRAC\* SPILLCLEAN cantilever shelf (on some models)

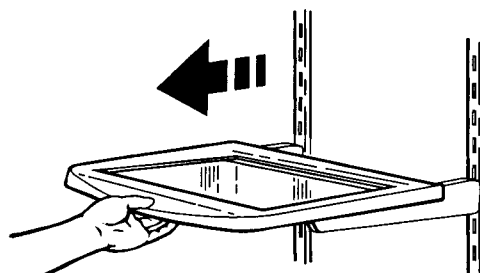
The ROLLERTRAC shelf has rollers which allow you to roll the shelf out for easier access to foods stored on the rear of the shelf.

**To roll shelf out:**

- Carefully pull front of shelf toward you.

**To roll shelf in:**

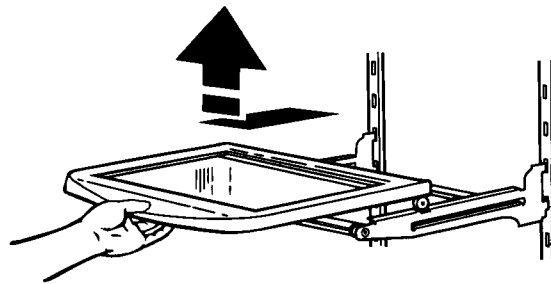
- Push shelf in until it stops.



**To remove shelf from metal frame:**

1. Pull shelf out to the stop.
2. Lift the front and pull shelf out a little further.
3. Lift shelf up so that the roller moves through the slot in the frame.
4. Replace shelf in reverse order.

**IMPORTANT:** Glass shelves are heavy. Handle with care.



**To remove shelf frame:**

1. Tilt frame up at the front.
2. Lift frame up at the back and pull straight out.

**To replace the shelf frame:**

1. Guide the rear hooks of the frame into the shelf supports.
2. Tilt the frame up at the front until the hooks drop into the slots. Lower the front of the frame to a level position.
3. Check the stability of the frame to be sure that the hooks have been properly inserted.

---

## Removing the meat locker and cover

**To remove the meat locker:**

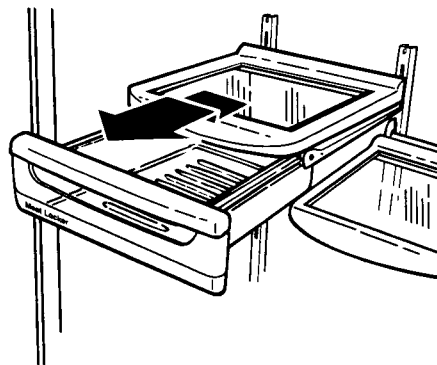
1. Slide out to the stop.
2. Lift front and slide out the rest of the way.
3. Replace in reverse order.

**To adjust the cover position:**

1. Tilt front of cover up.
2. Lift back of cover.
3. Pull cover straight out.

**To replace the cover:**

1. Guide the cover's rear hooks into the slots in the shelf supports on cabinet wall.
2. Tilt cover up at front until the hooks drop into slots.
3. Lower front of cover to a level position.

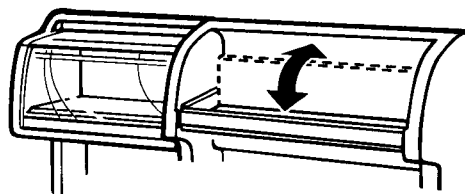


**Pull out to the stop, lift the front, and pull again.**

---

## Using the flip-up door shelf (on some models)

The shelf bottom flips up so you can store taller items in the door shelf below. When in the down position, the shelf is strong enough to hold up to 10 pounds (4.5 kg).

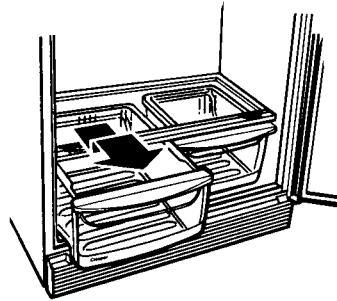


---

## Removing the crispers and crisper cover

### To remove the crispers:

1. Slide crisper straight out to the stop.
2. Lift the front and slide out the rest of the way.
3. Replace in reverse order.



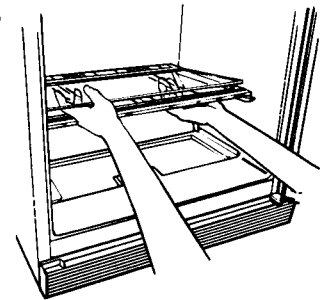
Pull out to the stop, lift the front, and pull again.

### To remove the cover:

1. Push up the glass insert from the bottom, then slide out with both hands.
2. Lift front of cover frame.
3. Lift cover frame up and out.

Remove the glass insert. Lift the cover front, then the back.

**NOTE:** Handle glass insert with care. It is heavy.



### To replace the cover:

1. Fit back of cover frame into notch supports on back wall of refrigerator, then lower the front into place.
2. Make sure the cover metal support is in the notches in the sides of the liner.

**NOTE:** If the support is not positioned properly, the doors may not close all the way.

3. Slide back of cover insert into place, then lower front.

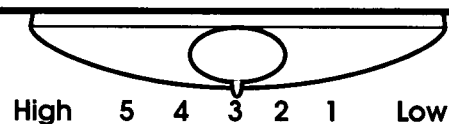
---

## Adjusting the crisper humidity control

You can control the amount of humidity in the moisture-sealed crispers. Adjust the control to any setting between LOW and HIGH.

- LOW (open) lets moist air out of the crisper for best storage of fruits and vegetables with skins.
- HIGH (closed) keeps moist air in the crisper for best storage of fresh, leafy vegetables.

### *FreshSeal* Humidity Control



---

## Adjusting the half-width freezer shelf (on some models)

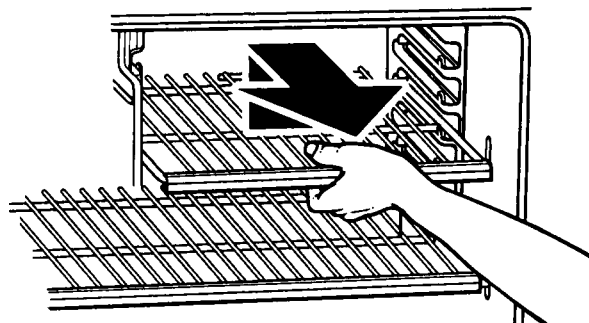
Adjust the shelf according to the space you need in your freezer. Use the bottom position when you don't need the shelf at all.

### To adjust the shelf:

1. Remove items from the shelf.
2. Lift shelf up at front.
3. Pull shelf out to the stop.
4. Lift back of shelf.
5. Pull shelf out the rest of the way.

### To replace the shelf:

1. Guide rear of shelf into desired guide.
2. Lift rear of shelf over stop.
3. Slide shelf in all the way.
4. Lower front into place.



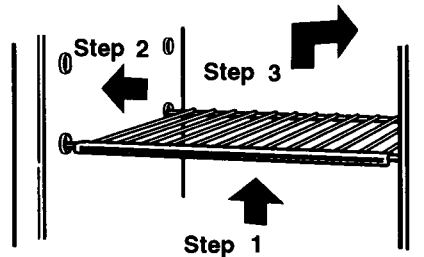
---

## Adjusting the full-width freezer shelf (on some models)

Adjust the freezer shelf to match the way you use your freezer.

### To remove the shelf:

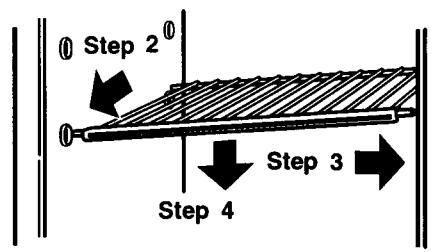
1. Lift entire shelf slightly.
2. Move shelf all the way to one side.
3. Tilt other side up and out of shelf support cups.
4. Pull shelf up and out.



### To replace the shelf:

1. Tilt the shelf and insert into freezer compartment.
2. Insert one end of the shelf all the way into the center of the shelf support cups.
3. Lower other end of shelf and insert into the shelf support cups.
4. Lower shelf into place.

**NOTE:** The shelf should lower slightly and lock into place. If the shelf does not appear sturdy, make sure both ends of the shelf are inserted into the shelf support cups.



---

## Removing the roll-out freezer floor (on some models)

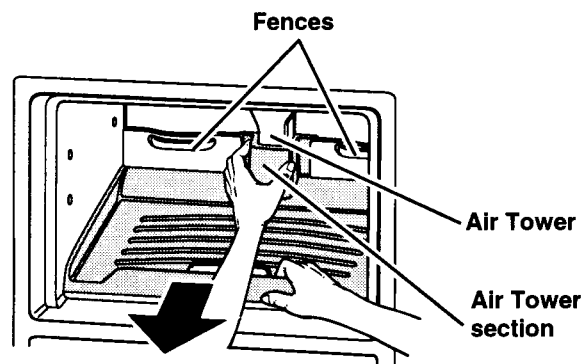
The freezer floor rolls out for easier access to foods in the back of the freezer and for easier cleaning.

### To remove the freezer floor:

1. Lift both back "fences" up and out.
2. Roll floor out about 1 inch (2.5 cm) with one hand around the air tower section (center back) and one hand at center front.
3. Lift floor up at rear until hooks release from cabinet.
4. Roll floor out the rest of the way.

### To replace the freezer floor:

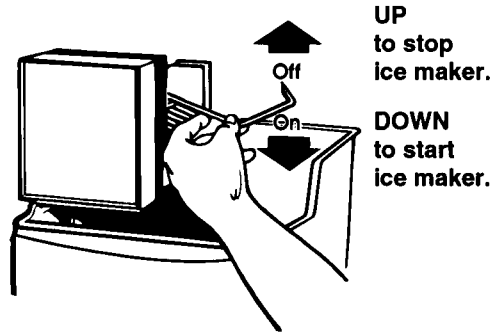
1. Position back of floor into freezer opening.
2. Slide floor straight in until hooks drop into place at rear of cabinet.
3. Replace "fences" by aligning pins with sockets in the floor. Push down until they snap into place.



## Using the optional automatic ice maker

If your refrigerator has an automatic ice maker, or if you plan to add one later (contact the dealer for ice maker kit number), here are a few things you should know.

- The ON/OFF lever is a wire signal arm.  
DOWN to make ice automatically  
UP to shut off the ice maker
- **IMPORTANT:** Do not turn ice maker on until you connect it to the water supply.
- If you remove the ice bin, raise the signal arm to shut off the ice maker. When you replace the bin, push it in all the way and lower the ice maker signal arm to the ON position.
- Good water quality is important for good ice quality. Try to avoid connecting the ice maker to a softened water supply. Water softener chemicals (such as salt from a malfunctioning softener) can damage the ice maker mold and lead to poor ice quality. If you cannot avoid a softened water supply, make sure the water softener is operating properly and is well-maintained.



## Solving common ice maker problems

PROBLEM	POSSIBLE CAUSE/SOLUTION
<b>Ice crescents attached at corners</b>	<ul style="list-style-type: none"> <li>• This is normal. They break apart easily. Shake bin occasionally to keep cubes separated.</li> </ul>
<b>Ice maker will not operate or ice is not made fast enough</b>	<ul style="list-style-type: none"> <li>• ON/OFF lever is in the OFF (up) position. Lower lever to the ON (down) position.</li> <li>• Freezer is not cold enough. Adjust temperature controls and wait 24 hours. (See "Changing the control settings" on page 8.)</li> </ul>
<b>Off-taste or odor in ice</b>	<ul style="list-style-type: none"> <li>• New plumbing connections can cause discolored or off-flavored ice. Discard the first few batches of ice.</li> <li>• Cubes are stored too long. Throw them away and make a new supply.</li> <li>• Food is not wrapped properly. See page 26.</li> <li>• Freezer and ice bin need to be cleaned. See page 22.</li> <li>• Water may contain minerals (such as sulfur). A filter may be required to remove them.</li> </ul>

# Attaching the optional ice maker to a water supply

Read all directions carefully before you begin.

## ⚠ WARNING



### Electrical Shock Hazard

**Unplug the refrigerator before installing ice maker.**

**Failure to do so can result in death or electrical shock.**

**NOTE:** Your appliance dealer has a kit available with a 1/4-inch saddle-type shut-off valve, a union, and copper tubing. Before purchasing, make sure a saddle-type valve complies with your local plumbing codes. Do not use piercing-type or 3/16-inch saddle valve which reduces water flow and clogs more easily.

### Cold water supply

The ice maker water valve contains a flow washer which is used as a water pressure regulator. The ice maker needs to be connected to a cold water line with water pressure limitations of 20-120 psi. If a problem occurs, call your utility company.

### IMPORTANT:

- It may take up to 24 hours for your ice maker to begin producing ice.
- If operating the refrigerator before installing the water connection, turn ice maker to the OFF position to prevent operation without water.
- All installations must be in accordance with local plumbing code requirements.

### IMPORTANT:

- Use copper tubing only and check for leaks.
- Install ice maker tubing in areas where temperatures are above freezing.

### Tools required:

- Standard screwdriver
- 7/16-inch and 1/2-inch open-end wrenches or two adjustable wrenches
- 1/4-inch nut driver
- 1/4-inch drill bit
- Hand drill or electric drill (properly grounded)

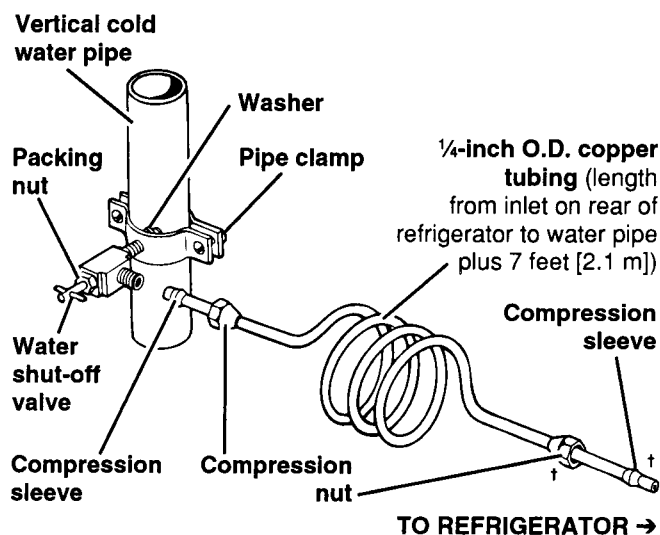
**Installation is not warranted by refrigerator or ice maker manufacturer.**

## Connecting to water line

1. Find a 1/2-inch to 1 1/4-inch vertical COLD water pipe near the refrigerator.

**NOTE:** Horizontal pipe will work, but the following precaution must be taken: Drill on the top side of the pipe, not the bottom. This will help keep water away from the drill. This also keeps normal sediment from collecting in the valve.

2. Measure from connection on rear of refrigerator to water pipe. Add 7 feet (2.1 m) to allow for moving refrigerator for cleaning. This is the length of 1/4-inch O.D. copper tubing you will need for the job (length from connection to water pipe PLUS 7 feet [2.1 m]). Be sure both ends of copper tubing are cut square.
3. Turn OFF main water supply. Turn ON nearest faucet long enough to clear line of water.
4. Using a grounded drill, drill a 1/4-inch hole on the cold water pipe you have selected.



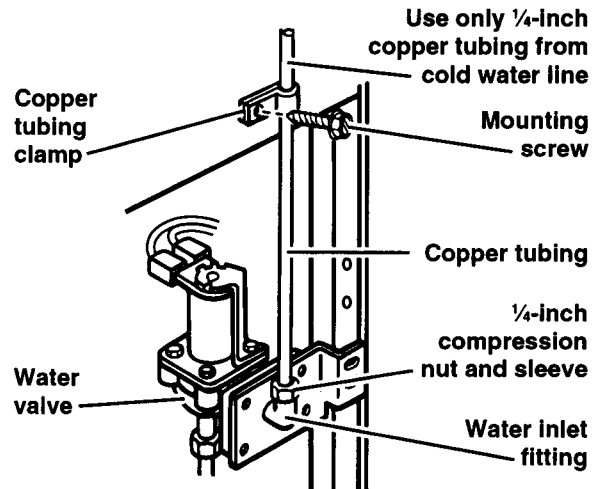
† Some models may not feature this second compression nut and sleeve.

continued on next page

5. Fasten shut-off valve to cold water pipe with pipe clamp. Be sure outlet end is solidly in the 1/4-inch drilled hole in the water pipe and that washer is under the pipe clamp. Tighten packing nut. Tighten the pipe clamp screws carefully and evenly so washer makes a watertight seal. Do not overtighten or you may crush the copper tubing, especially if soft (coiled) copper tubing is used. Now you are ready to connect the copper tubing.
6. Slip compression sleeve and compression nut on copper tubing as shown in diagram. Insert end of tubing into outlet end squarely as far as it will go. Screw compression nut onto outlet end with adjustable wrench. Do not overtighten. Turn ON main water supply and flush out tubing until water is clear. Turn OFF shut-off valve on the water pipe. Coil copper tubing.

### Connecting to refrigerator

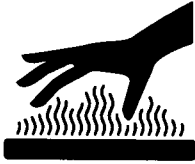
1. Disconnect the tube clamp on the back of the product and insert copper tubing through the clamp as shown at the right. Attach the copper tube to the valve inlet using a compression nut and sleeve as shown. Tighten the compression nut. Do not overtighten. Reattach the tube clamp and tube to the back of the cabinet. Move to step 2.
2. **Turn shut-off valve ON. CHECK FOR LEAKS. TIGHTEN ANY CONNECTIONS (INCLUDING CONNECTIONS AT THE VALVE) OR NUTS THAT LEAK.**
3. The ice maker is equipped with a built-in water strainer. If local water conditions require periodic cleaning or a well is your source of water supply, a second water strainer should be installed in the 1/4-inch water line. Obtain a water strainer from your nearest appliance dealer. Install at either tube connection.
4. Reconnect electrical supply to refrigerator.





## Removing the base grille

### **⚠ WARNING**



#### **Burn Hazard**

**Do not touch refrigeration tubes near defrost pan.**

**Doing so can result in burns.**

#### **To remove the base grille:**

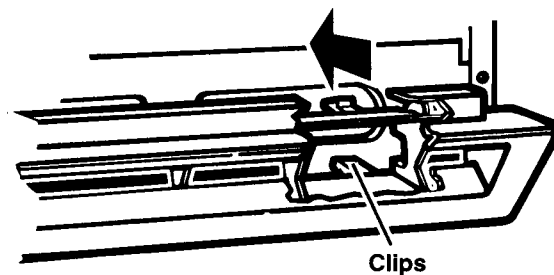
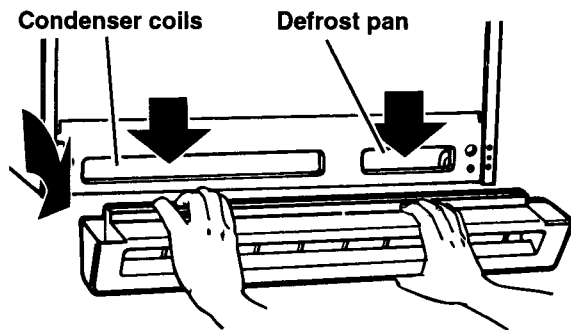
1. Open the refrigerator door.
2. Grasp the grille with both hands.
3. Push down on the top edge of the grille to release the top clips.
4. Tilt the grille toward you to release the bottom clips.
5. Pull grille away from the refrigerator.

**NOTE:** Do not remove the Tech Sheet fastened behind the grille.

#### **To replace the base grille:**

1. Line up the edges of the grille with the outside edges of the cabinet.
2. Roll the grille toward you.
3. Place lower clips in the openings in the metal panel.
4. Roll the grille toward the cabinet until the top clips snap into place.
5. Close the refrigerator door.

See cleaning instructions for defrost pan and condenser coils on page 23.



## Changing the light bulbs

### **⚠ WARNING**



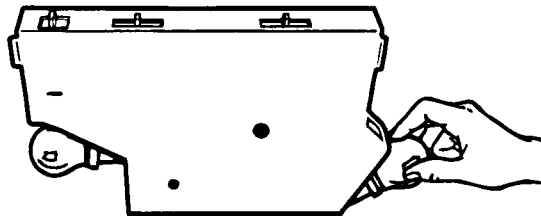
#### **Electrical Shock Hazard**

**Unplug the refrigerator before removing a light bulb.**

**Failure to do so can result in death or electrical shock.**

#### **To change refrigerator light:**

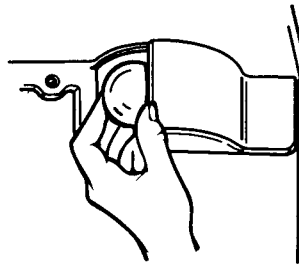
1. Disconnect refrigerator from electrical supply.
2. Reach behind Control Panel to remove bulb.
3. Replace with a 40-watt appliance bulb.
4. Reconnect refrigerator to electrical supply.



#### **To change freezer light:**

1. Disconnect refrigerator from power supply.
2. Reach behind light shield to bulb.
3. Replace bulb with a 40-watt appliance bulb.
4. Reconnect refrigerator to power supply.

**NOTE:** Not all appliance bulbs will fit your refrigerator. Be sure to replace a bulb with one of the same size and shape.



---

## Understanding the sounds you may hear

Your new refrigerator may make sounds that your old one didn't. Because the sounds are new to you, you might be concerned about them. Don't be. Most of the new sounds are normal. Hard surfaces like the floor, walls, and cabinets can make the sounds seem louder.

The following describes the kinds of sounds that might be new to you, and what may be making them.

### Slight hum, soft hiss

You may hear the refrigerator's fan motor and moving air.

### Clicking or snapping sounds

The thermostat makes a definite click when the refrigerator stops running. It also makes a sound when the refrigerator starts. The defrost timer will click when the defrost cycle starts.

### Water sounds

When the refrigerator stops running, you may hear gurgling in the tubing for a few minutes after it stops. You may also hear defrost water running into the defrost water pan.

### Ice maker sounds

- Trickling water
- Thud (clatter of ice)

You may hear buzzing (from the water valve), trickling water, and the clatter of ice dumped into the bin.

### Running sounds

Your refrigerator has a high-efficiency compressor and motor. It will run longer than older designs. It may even seem to run most of the time.

---

## Saving energy

You can help your refrigerator use less electricity.

- Check door gaskets for a tight seal. Level the cabinet to be sure of a good seal.
- Clean the condenser coils regularly.
- Open the door as few times as possible. Think about what you need before you open the door. Get everything out at one time. Keep food organized so you won't have to search for what you want. Close door as soon as food is removed.

- Go ahead and fill up the refrigerator, but don't overcrowd it so air movement is blocked.
- It is a waste of electricity to set the refrigerator and freezer to temperatures colder than they need to be. If ice cream is firm in the freezer and drinks are as cold as your family likes them, that's cold enough.
- Make sure your refrigerator is not next to a heat source such as a range, water heater, furnace, radiator, or in direct sunlight.

# Reversing the door swing

## TOOLS NEEDED:

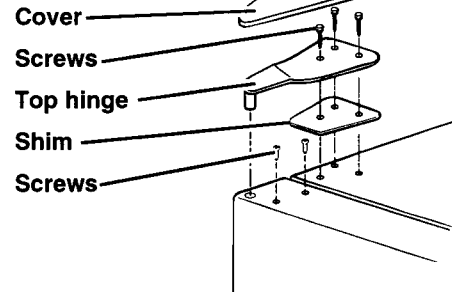
5/16-inch hex-head socket wrench, No. 2 Phillips screwdriver, flat-head screwdriver, 1/2-inch open-end wrench

## IMPORTANT INFORMATION:

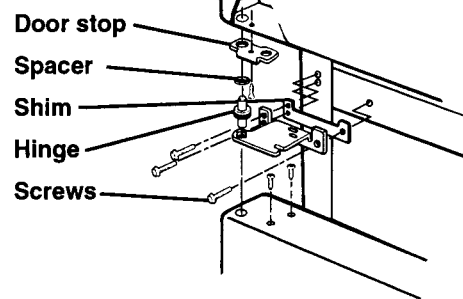
- Before you begin, turn refrigerator OFF, unplug it, and remove any food from door shelves.
- Remove base grille.
- When removing hinges, keep doors closed until ready to lift free from cabinet.
- To remove doors, start at the top hinge and work your way down.
- To remove the center hinge screws, remove the center hinge pin by turning it 1/4 to 1/2 turn. It will pop up.
- To replace doors, start at the bottom hinge and work your way up.
- Line up doors so they are centered between the sides of the cabinet **and** parallel with each other.
- Seal all unused openings with screws or plastic plugs. Moisture will enter any openings.
- Door seal may be adjusted by adding or removing shims to the center and bottom hinges.

## Reversing the hinges

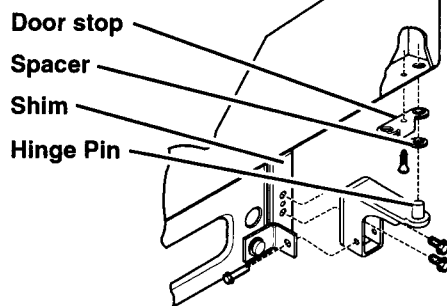
### TOP HINGE



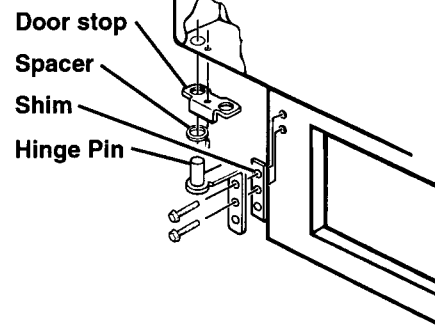
### CENTER HINGE



### BOTTOM HINGE Style 1

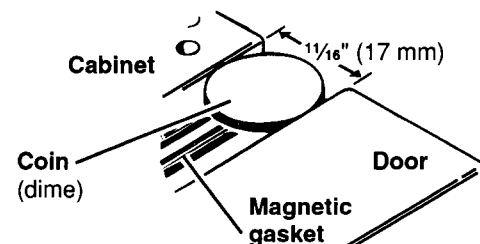


### BOTTOM HINGE Style 2

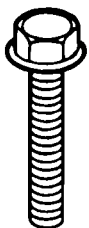
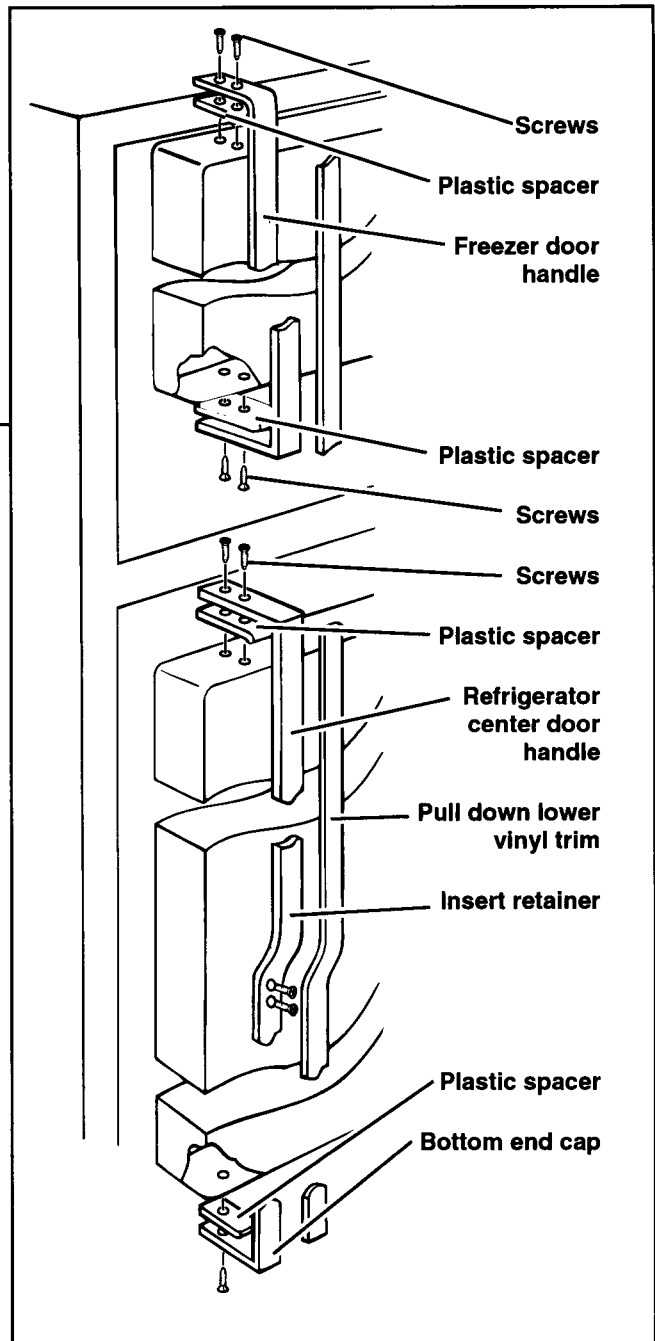
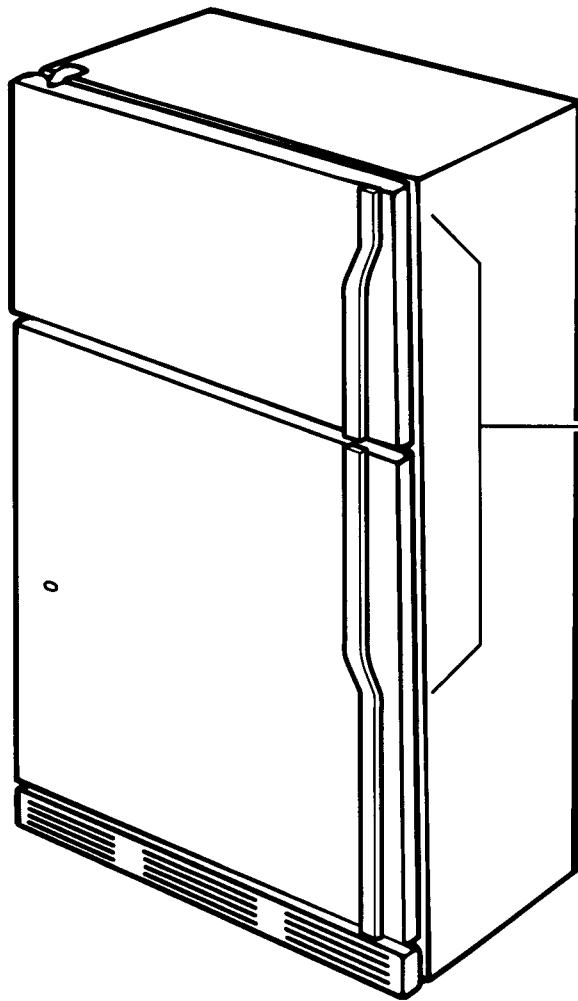


### NOTE:

When replacing the doors, set the door gap at 1/16" (17 mm).



# Reversing the handles



**5/16-inch HEX HEAD HINGE SCREW**



**COUNTERSINK SCREW**



**OVAL SEALING SCREW (USE ON BOTTOM OF DOORS)**



**HANDLE SCREW**



**OVAL SEALING SCREW (USE ON TOP OF DOORS)**

# Caring for Your Refrigerator

Your refrigerator is built to give you many years of dependable service. However, there are a few things you can do to help extend its product life. This section tells you how to clean your refrigerator and what to do when going on vacation, moving, or during a power outage.

## Cleaning your refrigerator

Both the refrigerator and freezer sections defrost automatically. However, clean both about once a month to help prevent odors from building up. Wipe up spills right away.



To clean your refrigerator, unplug it, take out all removable parts, and clean

the refrigerator according to the following directions.

### ⚠ WARNING



#### Burn Hazard

**Do not touch refrigeration tubes near defrost pan.**

**Doing so can result in burns.**

PART	WHAT TO USE	HOW TO CLEAN
<b>Removable parts</b> (shelves, crisper, etc.)	Sponge or cloth with mild detergent and warm water	<ul style="list-style-type: none"> <li>• Hand wash and dry thoroughly.</li> </ul>
<b>Outside</b>	Sponge, cloth, or paper towel with mild detergent, warm water, and a good appliance wax (or good auto paste wax)	<ul style="list-style-type: none"> <li>• Wash outside of cabinet. Do not use abrasive or harsh cleaners.</li> <li>• Wipe and dry thoroughly.</li> <li>• Wax painted, metal surfaces at least twice a year. Apply wax with a clean, soft cloth. <b>Waxing painted, metal surfaces provides rust protection. Do not wax plastic parts.</b></li> </ul>
<b>Inside walls</b> (allow freezer to warm up so cloth won't stick)	Sponge, soft cloth, or paper towel with baking soda or mild detergent and warm water	<ul style="list-style-type: none"> <li>• Wash with mixture of warm water and:               <ul style="list-style-type: none"> <li>– mild detergent, or</li> <li>– baking soda (2 tbs to 1 qt [26 g to .95 L] of water).</li> </ul> </li> <li>• Wipe and dry thoroughly.</li> </ul>
<b>Door liners and gaskets</b>	Sponge, soft cloth, or paper towel with mild detergent and warm water	<ul style="list-style-type: none"> <li>• Wipe and dry thoroughly.</li> </ul> <p><b>DO NOT USE cleaning waxes, concentrated detergents, bleaches, or cleaners containing petroleum on plastic parts.</b></p>
<b>Plastic parts</b> (covers and panels)	Soft, clean sponge or soft, clean cloth with mild detergent and warm water	<ul style="list-style-type: none"> <li>• Wipe and dry thoroughly.</li> </ul> <p><b>DO NOT USE paper towels, window sprays, scouring cleansers or flammable fluids. These can scratch or damage material. See "Important Safety Instructions" on page 3.</b></p>

<b>PART</b>	<b>WHAT TO USE</b>	<b>HOW TO CLEAN</b>
<b>Defrost pan</b>	Sponge or cloth with mild detergent and warm water	<ul style="list-style-type: none"> <li>• Remove base grille. (See page 17.)</li> <li>• Reach into small opening at right edge and remove the defrost pan.</li> <li>• Wash, rinse, and dry thoroughly.</li> <li>• Replace defrost pan. Make sure to push it completely into the opening.</li> <li>• Replace base grille. (See page 17.)</li> </ul>
<b>Condenser coils</b>	Vacuum cleaner with extended narrow attachment	<ul style="list-style-type: none"> <li>• Remove base grille. (See page 17.)</li> <li>• Vacuum coils when dusty or dirty. Coils may need to be cleaned as often as every other month.</li> <li>• Replace base grille. (See page 17.)</li> </ul>

## Vacation and moving care

### Short vacations

No need to shut off the refrigerator if you will be away for less than four weeks.

1. Use up any perishables.
2. Freeze other items.
3. If your refrigerator has an automatic ice maker:
  - Raise signal arm to OFF (up) position.
  - Shut off water supply to the ice maker.

### Long vacations

If you will be gone a month or more:

1. Remove all food from the refrigerator.
2. If your refrigerator has an automatic ice maker:
  - Turn off the water supply to the ice maker at least one day ahead of time.
  - When the last load of ice drops, turn off the ice maker. Make sure all ice is dispensed out of the ice maker mechanism.
3. Unplug the refrigerator.
4. Clean it, rinse well, and dry.
5. Tape rubber or wood blocks to the tops of both doors to prop them open far enough for air to get in. This stops odor and mold from building up.

To restart refrigerator, see page 8.

### Moving

When you are moving the refrigerator to a new home:

1. If your refrigerator has an automatic ice maker:
  - Turn off the water supply to the ice maker at least one day ahead of time.
  - Disconnect the water line.
  - After the last load of ice drops, lift the signal arm to the OFF (up) position.
2. Remove all food from the refrigerator.
3. Pack all frozen food in dry ice.
4. Unplug the refrigerator.
5. Clean it thoroughly. Wipe well and dry.
6. Take out all removable parts, wrap them well, and tape them together so they don't shift and rattle.
7. Screw in the leveling rollers.
8. Tape the doors shut and tape the power supply cord to the cabinet.

When you get to your new home, put everything back and refer to page 6. Also, if your refrigerator has an automatic ice maker, remember to reconnect the water supply line.

---

## Power interruptions

If electricity goes off, call the power company. Ask how long power will be off.

1. If service will be interrupted 24 hours or less, **keep both doors closed**. This helps foods stay frozen.
2. If service will be interrupted longer than 24 hours:
  - (a) Remove all frozen food and store in a frozen food locker.

**OR**

- (b) Place 2 lbs. (907 g) of dry ice in freezer for every cubic foot (liter) of freezer space. This will keep food frozen for 2 to 4 days. Wear gloves to protect your hands from dry ice burns.

**OR**

- (c) If neither a food locker or dry ice is available, use or can perishable food at once.

3. A full freezer stays cold longer than a partly filled one. A freezer full of meat stays cold longer than a freezer full of baked goods. If food contains ice crystals, it may be safely refrozen, although the quality and flavor may be affected. If the condition of the food is poor, or if you feel it is unsafe, dispose of it.

### Questions?

In the U.S.A., call our Consumer Assistance Center telephone number, **1-800-422-1230**. In Canada for assistance or service, see page 29.



# Food Storage Guide

There is a correct way to package and store refrigerated or frozen food. To keep food fresher, longer, take the time to study these recommended steps.

## Storing fresh food

Wrap or store food in the refrigerator in airtight and moisture-proof material. This prevents food odor and taste transfer throughout the refrigerator. For dated products, check code date to ensure freshness.

### Leafy vegetables

Remove store wrapping and trim or tear off bruised and discolored areas. Wash in cold water and drain. Place in plastic bag or plastic container and store in crisper.

### Vegetables with skins (carrots, peppers)

Store in crisper, plastic bags, or plastic container.

### Fruit

Wash, let dry, and store in refrigerator in plastic bags or crisper. Do not wash or hull berries until they are ready to use. Sort and keep berries in original container in a crisper, or store in a loosely closed paper bag on a refrigerator shelf.

### Eggs

Store without washing in original carton on interior shelf. On some models, an egg storage container is provided for your convenience.

### Milk

Wipe milk cartons. For best storage, place milk on interior shelf.

### Butter or margarine

Keep opened butter in covered dish or closed compartment. When storing an extra supply, wrap in freezer packaging and freeze.

### Cheese

Store in the original wrapping until you are ready to use it. Once opened, rewrap tightly in plastic wrap or aluminum foil.

### Leftovers

Cover leftovers with plastic wrap or aluminum foil. Plastic containers with tight lids can also be used.

### Meat

Store most meat in original wrapping as long as it is airtight and moisture-proof. Rewrap if necessary. See the following for storage times. When storing meat longer than the times given, freeze the meat.

Chicken .....	1-2 days	Bacon .....	5-7 days
Ground beef .....	1-2 days	Cold cuts .....	3-5 days
Steaks/roasts ....	3-5 days	Variety meats .....	1-2 days
Cured meats ...	7-10 days		

**NOTE:** Use fresh fish and shellfish the same day as purchased.

---

## Storing frozen food

The freezer section is designed for storage of commercially frozen food and for freezing food at home.

**NOTE:** For further information about preparing food for freezing or food storage times, check a freezer guide or reliable cookbook.

### Packaging

The secret to successful freezing is in the packaging. The way you close and seal the package must not allow air or moisture in or out. Packaging done in any other way could cause food odor and taste transfer throughout the refrigerator and drying of frozen food.

#### Do not use:

- Bread wrappers
- Non-polyethylene plastic containers
- Containers without tight lids
- Waxed paper
- Wax-coated freezer wrap
- Thin, semi-permeable wrap

The use of these wrappings could cause food odor, taste transfer, and drying of frozen food.

#### Packaging recommended for use:

- Rigid plastic containers with tight-fitting lids
- Straight-sided canning/freezing jars
- Heavy-duty aluminum foil
- Plastic-coated paper
- Non-permeable plastic wraps (made from saran film)

Follow package or container instructions for proper freezing methods

### Freezing

Do not expect your freezer to quick-freeze any large quantity of food. Put no more unfrozen food into the freezer than will freeze within 24 hours (no more than 2 to 3 lbs. of food per cubic foot [907-1360 g per liter] of freezer space). Leave enough space for air to circulate around packages. Be careful to leave enough room at the front so the door can close tightly.

Storage times will vary according to the quality of the food, the type of packaging or wrap used (airtight and moisture-proof) and the storage temperature, which should be 0°F (-17.8°C).

# Troubleshooting

Performance problems often result from little things you can fix without tools. Please read through “Before calling for assistance ...” below before calling for service on your appliance.

## Before calling for assistance ...

Listed in this chart are the most common problems consumers run into with their appliances. Please read through this and see if it can solve your problem.

<b>PROBLEM</b>	<b>CHECK THE FOLLOWING</b>
<b>Your refrigerator will not operate</b>	Is the power supply cord firmly plugged into a live circuit with proper voltage? Has a household fuse or circuit breaker blown/tripped? Is the Refrigerator Control set to the OFF position?
<b>The lights do not work</b>	Is the power supply cord firmly plugged into a live circuit with proper voltage? Has a household fuse or circuit breaker blown/tripped? Is a bulb burned out?
<b>The optional ice maker does not work</b>	Is the freezer cold enough to make ice? It could take overnight for the freezer to reach the proper temperature. Is the ON/OFF lever in the ON (down) position? (See page 14.) Is the water valve turned on? Does the water line have a clog or leak?
<b>Unfamiliar sounds or a rattling/jingling noise</b>	Is something on top of or behind the refrigerator? Some new sounds are normal. See “Understanding the sounds you may hear” on page 19.
<b>There is water in the defrost pan</b>	This is normal on hot, muggy days. Make sure the refrigerator is level so the pan does not overflow.
<b>The motor seems to run too much</b>	Are the condenser coils dirty? Has the door been opened often? Has a large amount of food been added at one time? The motor naturally runs longer if these things happen. Is the room hot? If the room is too warm, the motor runs longer to keep the unit cool.

# Requesting Assistance or Service

Before calling for assistance or service, please check "Troubleshooting" on page 27. It may save you the cost of a service call. If you still need help, follow the instructions below.

## For service in the U.S.

### 1. If the problem is not due to one of the items on page 27:

- Call the KitchenAid Consumer Assistance Center toll-free: **1-800-422-1230**.



Our consultants provide assistance with:

- Features and specifications on our full line of appliances.
- Referrals to local dealers.

- Use and maintenance procedures.

- If you prefer, write to:

KitchenAid Brand Home Appliances  
Consumer Assistance Center  
c/o Correspondence Dept.  
2000 North M-63  
Benton Harbor, MI 49022-2692

Please include a daytime phone number in your correspondence.

### 2. If you need service†:

- Call your dealer or the repair service he recommends.



- All service should be handled locally by the dealer from whom you purchased the unit or an authorized KitchenAid\* servicer.

• If you are unable to obtain the name of a local authorized KitchenAid servicer, call our Consumer Assistance Center telephone number (see Step 1).

### 3. If you are not satisfied with the action taken:

- Contact the Major Appliance Consumer Action Program (MACAP). MACAP is a group of consumer experts that voices consumer views at the highest levels of the major appliance industry.
- Contact MACAP only when the dealer, authorized servicer, and KitchenAid have failed to resolve your problem.

Major Appliance Consumer Action Program  
20 North Wacker Drive  
Chicago, IL 60606

- MACAP will in turn inform us of your action.

#### † When asking for help or service:

Please provide a detailed description of the problem, your appliance's complete model and serial numbers, and the purchase date. (See page 2.) This information will help us respond properly to your request.

---

## For service in Canada

### 1. If the problem is not due to one of the items on page 27 and you need assistance:

- Call the Consumer Assistance Centre toll-free:



**1-800-461-5681.**

Our consultants provide assistance with:

- Features and specifications on our full line of appliances.
- Referrals to local dealers.

- Use and maintenance procedures.

### 2. If you need service:

Call KitchenAid Canada toll-free: **1-800-807-6777.**

- Maintenance and repair service.
- Accessory and parts sales.

**KitchenAid service technicians** are trained to fulfill the product warranty and provide after-warranty service, anywhere in Canada.

To locate the authorized KitchenAid service company in your area, you can also look in your telephone directory Yellow Pages.

### 3. For further assistance:

- Please provide your complete model number, serial number, date of purchase, and a complete description of the problem. Write to:

Consumer Relations Department  
KitchenAid Canada  
1901 Minnesota Court  
Mississauga, Ontario  
L5N 3A7

Please include a daytime phone number in your correspondence.

# KitchenAid<sup>\*</sup> Freestanding Refrigerator

# Warranty

LENGTH OF WARRANTY:	KITCHENAID WILL PAY FOR:	KITCHENAID WILL NOT PAY FOR:
<b>ONE YEAR FULL WARRANTY</b> FROM DATE OF PURCHASE.	Replacement parts and repair labor costs to correct defects in materials or workmanship. Service must be provided by an authorized KitchenAid servicing outlet.	<b>A.</b> Service calls to: <ol style="list-style-type: none"> <li>1. Correct the installation of the refrigerator.</li> <li>2. Instruct you how to use the refrigerator.</li> <li>3. Replace house fuses or correct house wiring.</li> <li>4. Replace house plumbing.</li> </ol> <b>B.</b> Repairs when refrigerator is used in other than normal home use. <b>C.</b> Damage resulting from accident, alteration, misuse, abuse, improper installation, or installation not in accordance with local electrical codes or plumbing codes. <b>D.</b> Any food loss due to product failure. <b>E.</b> Any labor costs during the limited warranties. <b>F.</b> Replacement parts or repair labor costs for units operated outside the United States or Canada. <b>G.</b> Pickup and delivery. This product is designed to be repaired in the home. <b>H.</b> Repairs to parts or systems caused by unauthorized modifications made to the appliance.
<b>SECOND THROUGH FIFTH YEAR FULL WARRANTY</b> FROM DATE OF PURCHASE.	Replacement or repair of the refrigerator/freezer cavity liner, (including labor costs) if the part cracks due to defective materials or workmanship. Service must be provided by an authorized KitchenAid servicing outlet.  Replacement parts and repair labor costs to correct defects in materials or workmanship in the sealed refrigeration system. These parts are: 1. Compressor; 2. Evaporator; 3. Condenser; 4. Drier; 5. Connecting Tubing.  Service must be provided by an authorized KitchenAid servicing outlet.	
<b>SIXTH THROUGH TENTH YEAR LIMITED WARRANTY</b> FROM DATE OF PURCHASE.	Replacement parts to correct defects in materials or workmanship in the sealed refrigeration system. These parts are: 1. Compressor; 2. Evaporator; 3. Condenser; 4. Drier; 5. Connecting Tubing.	
<b>LIMITED LIFETIME WARRANTY</b> SECOND YEAR THROUGH LIFE OF PRODUCT FROM DATE OF PURCHASE.	Replacement of all SLIDE 'N' LOCK* Door Bins and SLIDE 'N' LOCK Can Racks due to defective materials or workmanship.	

3/96

**KITCHENAID AND KITCHENAID CANADA DO NOT ASSUME ANY RESPONSIBILITY FOR INCIDENTAL OR CONSEQUENTIAL DAMAGES.** Some states do not allow the exclusion or limitation of incidental or consequential damages, so this exclusion or limitation may not apply to you.

**This warranty gives you specific legal rights and you may also have other rights which may vary from state to state or province to province.**

If you need service, first see the "Troubleshooting" section of this book. After checking "Troubleshooting," additional help can be found in the "Requesting Assistance or Service" section or by calling our Consumer Assistance Center telephone number, **1-800-422-1230**, from anywhere in the U.S. For service in Canada, see "For service in Canada" on page 29.

KitchenAid  
St. Joseph, Michigan 49085 U.S.A.

KitchenAid Canada  
Mississauga, Ontario L5N3A7

**2195200**

© 1996, KitchenAid, U.S.A.

\* Registered Trademark/TM Trademark of KitchenAid, U.S.A.

6/96  
Printed in U.S.A

# Guide d'utilisation et d'entretien



<b>Table des matières</b> (complète) .....	2
<b>Veillez noter</b> .....	2
<b>Sécurité du</b> <b>réfrigérateur</b> .....	3
<b>Pièces et</b> <b>caractéristiques</b> .....	4
<b>Avant l'utilisation</b> <b>du réfrigérateur</b> .....	6
<b>Utilisation du</b> <b>réfrigérateur</b> .....	8
Raccordement de la machine à glaçons optionnelle à la canalisation d'eau .....	16
Inversion du sens d'ouverture des portes .....	21
<b>Entretien du</b> <b>réfrigérateur</b> .....	23
<b>Conservation</b> <b>des aliments</b> .....	26
<b>Dépannage</b> .....	28
<b>Appel d'aide ou</b> <b>de service</b> .....	29
<b>Garantie</b> .....	30

**RÉFRIGÉRATEUR-CONGÉLATEUR KITCHENAID\***  
**SANS GIVRE DE 510 À 595 DM<sup>3</sup> (18 PI À 21 PI)**

PART NO. 2195200  
CARD NO. 2195265

# Table des matières

	Page		Page
<b>Veillez noter</b> .....	2	Réglage de la clayette du congélateur .....	13
<b>Sécurité du réfrigérateur</b> .....	3	Extraction du plancher amovible du congélateur .....	14
<b>Pièces et caractéristiques</b> .....	4	Utilisation de la machine à glaçons automatique optionnelle .....	15
<b>Avant l'utilisation du réfrigérateur</b> .....	6	Raccordement de la machine à glaçons optionnelle à la canalisation d'eau .....	16
<b>Utilisation du réfrigérateur</b> .....	8	Retrait de la grille de la base .....	18
Réglage des commandes .....	8	Remplacement des ampoules électriques .....	19
Changement du réglage des commandes .....	8	Les bruits de l'appareil .....	20
Retrait de la tringle de garniture emboîtable .....	9	Conseils pour économiser l'énergie .....	20
Retrait de la tringle de garniture amovible dans la porte .....	9	Inversion du sens d'ouverture des portes .....	21
Réglage des balconnets dans la porte .....	10	<b>Entretien du réfrigérateur</b> .....	23
Extraction des distributeurs de canettes SLIDE 'N' LOCK* .....	10	<b>Conservation des aliments</b> .....	26
Réglage des clayettes du réfrigérateur .....	11	<b>Dépannage</b> .....	28
Retrait du casier à viande et du couvercle .....	12	<b>Appel d'aide ou de service</b> .....	29
Utilisation du balconnet rabattable .....	12	<b>Garantie du réfrigérateur KitchenAid*</b> .....	30
Retrait des bacs à légumes et du couvercle .....	12		
Réglage de l'hygrostat des bacs à légumes .....	13		
Réglage de la clayette à mi-largeur du congélateur .....	13		

## Veillez noter

### *Merci d'avoir acheté un appareil électroménager KITCHENAID*

Comme votre vie devient plus affairée et plus compliquée, les réfrigérateurs KITCHENAID sont faciles à utiliser, font économiser du temps et aident à mieux administrer votre foyer. Pour garantir que cet appareil vous donnera de nombreuses années de service sans problème, nous avons préparé ce Guide d'utilisation et d'entretien. Il est plein de renseignements utiles qui vous aideront à utiliser et à entretenir votre appareil convenablement et en sécurité.

Veillez également compléter et retourner la carte d'enregistrement du propriétaire fournie avec l'appareil.

### **Veillez inscrire les renseignements concernant votre réfrigérateur.**

Si jamais vous avez besoin de service pour votre appareil ménager, vous devrez connaître le numéro de modèle et le numéro de série. Ces renseignements sont indiqués sur la plaque signalétique des numéros de modèle et de série (voir les schémas, pages 4 et 5).

Veillez également noter la date d'achat du produit ainsi que les nom, adresse et numéro de téléphone du marchand.

Numéro de modèle \_\_\_\_\_

Numéro de série \_\_\_\_\_

Date d'achat \_\_\_\_\_

Nom du marchand \_\_\_\_\_

Adresse du marchand \_\_\_\_\_

Téléphone du marchand \_\_\_\_\_

**Conservez cette brochure et la facture de vente en lieu sûr pour référence ultérieure.**



# Sécurité du réfrigérateur

## Votre sécurité nous tient à coeur.

Ce guide contient des instructions de sécurité sous des symboles d'avertissement. Veuillez accorder une attention particulière à ces symboles et observer toutes les instructions qui les accompagnent. Voici une brève explication du sens de ce symbole.



Ce symbole vous avertit de dangers tels que incendie, choc électrique ou autres blessures.

## IMPORTANTES INSTRUCTIONS DE SÉCURITÉ

### **⚠️ AVERTISSEMENT**

Pour réduire les risques d'incendie, de choc électrique ou de blessures lors de l'utilisation du réfrigérateur, prendre quelques précautions fondamentales, y compris les suivantes :

- Lire toutes les instructions avant d'utiliser le réfrigérateur.
- Ne jamais permettre à un enfant de faire fonctionner un réfrigérateur, de jouer avec l'appareil ou de se glisser à l'intérieur.
- Ne jamais nettoyer les pièces du réfrigérateur au moyen de liquides inflammables. Les vapeurs risquent de provoquer un incendie ou une explosion.

### • POUR VOTRE SÉCURITÉ •

NE PAS FUMER NI N'UTILISER D'ESSENCE OU AUTRES VAPEURS ET LIQUIDES INFLAMMABLES À PROXIMITÉ DU RÉFRIGÉRATEUR OU DE TOUT AUTRE APPAREIL. LES VAPEURS RISQUENT DE PROVOQUER UN INCENDIE OU UNE EXPLOSION.

– CONSERVER CES INSTRUCTIONS –

## Mise ou rebut correcte de votre vieux réfrigérateur

### **⚠️ AVERTISSEMENT**

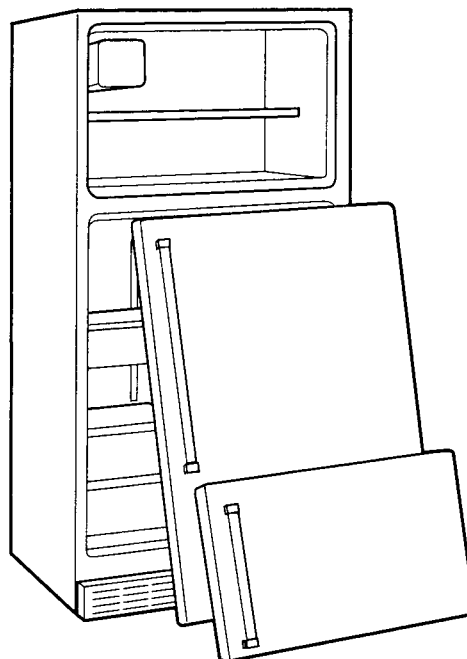
#### Risque de suffoquer

Enlever les portes de votre vieux réfrigérateur. Le non-respect de cette instruction peut être la cause d'un accident mortel ou des lésions cérébrales.

**IMPORTANT :** L'emprisonnement et l'étouffement des enfants ne sont pas un problème du passé. Les réfrigérateurs jetés ou abandonnés sont encore dangereux même s'ils sont laissés abandonnés "pendant quelques jours seulement." Si vous vous débarrassez de votre vieux réfrigérateur, veuillez suivre les instructions ce-dessous pour aider à éviter les accidents.

#### AVANT DE JETER VOTRE VIEUX RÉFRIGÉRATEUR OU CONGÉLATEUR :

- Enlevez les portes.
- Laissez les tablettes en place de sorte que les enfants ne peuvent pas y pénétrer facilement.

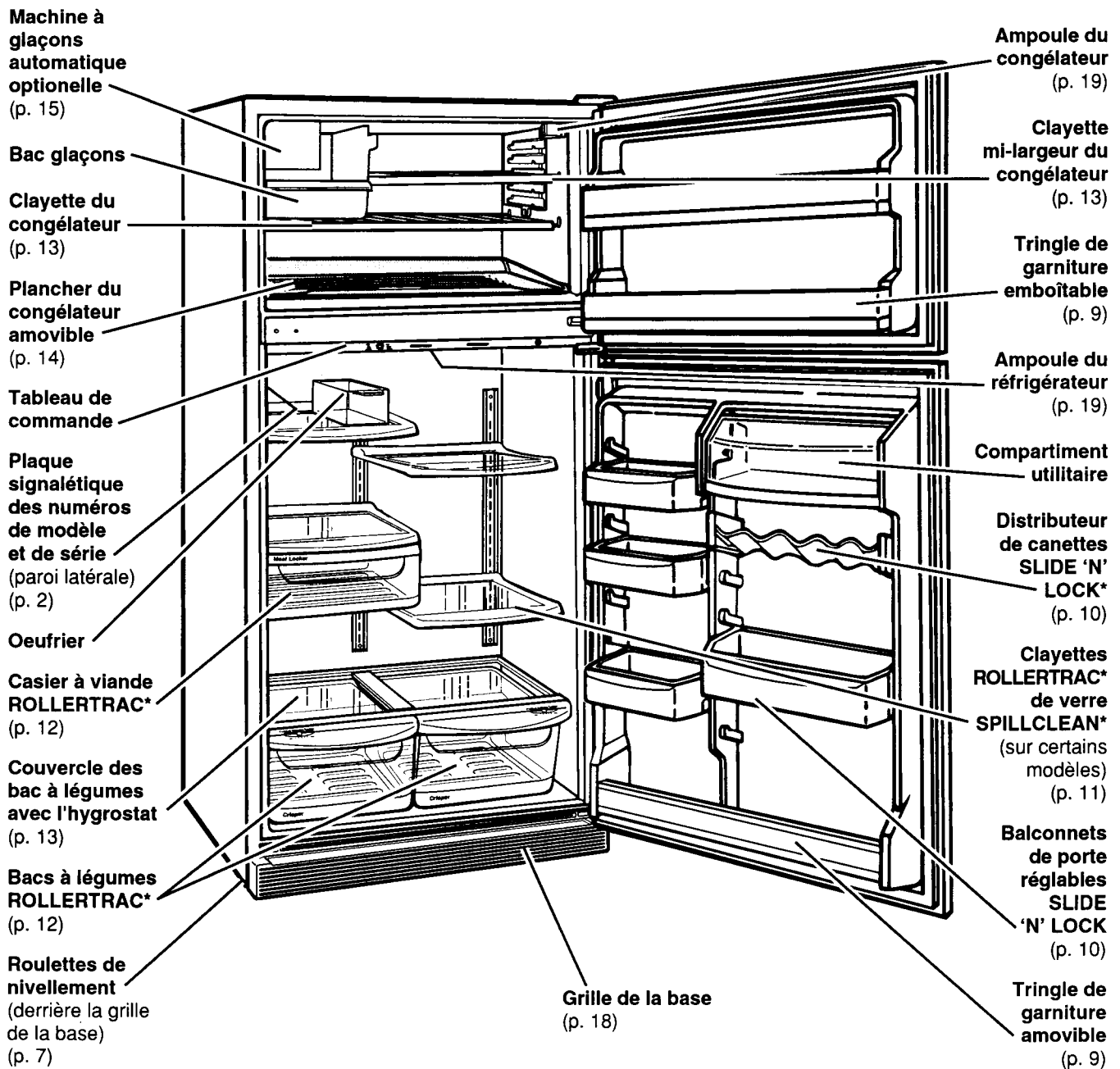


# Pièces et caractéristiques

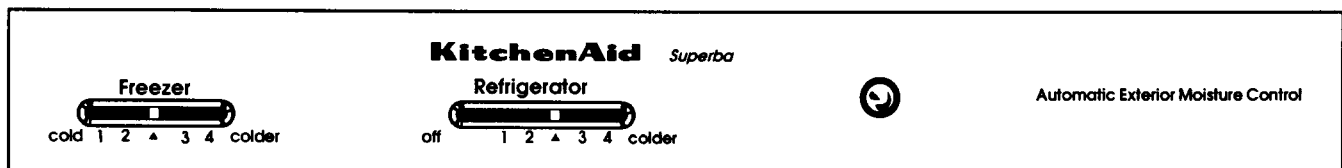
Cette section présente des illustrations descriptives de l'appareil ménager. L'utilisateur pourra ainsi se familiariser avec toutes les pièces et caractéristiques de l'appareil, et leur apparence. Cette brochure contient également des pages de référence.

**REMARQUE :** Le réfrigérateur acheté peut comporter toutes les pièces et caractéristiques représentées ici ou seulement certaines d'entre elles, et elles peuvent parfois ne pas correspondre exactement à l'illustration. Ce manuel couvre plusieurs modèles.

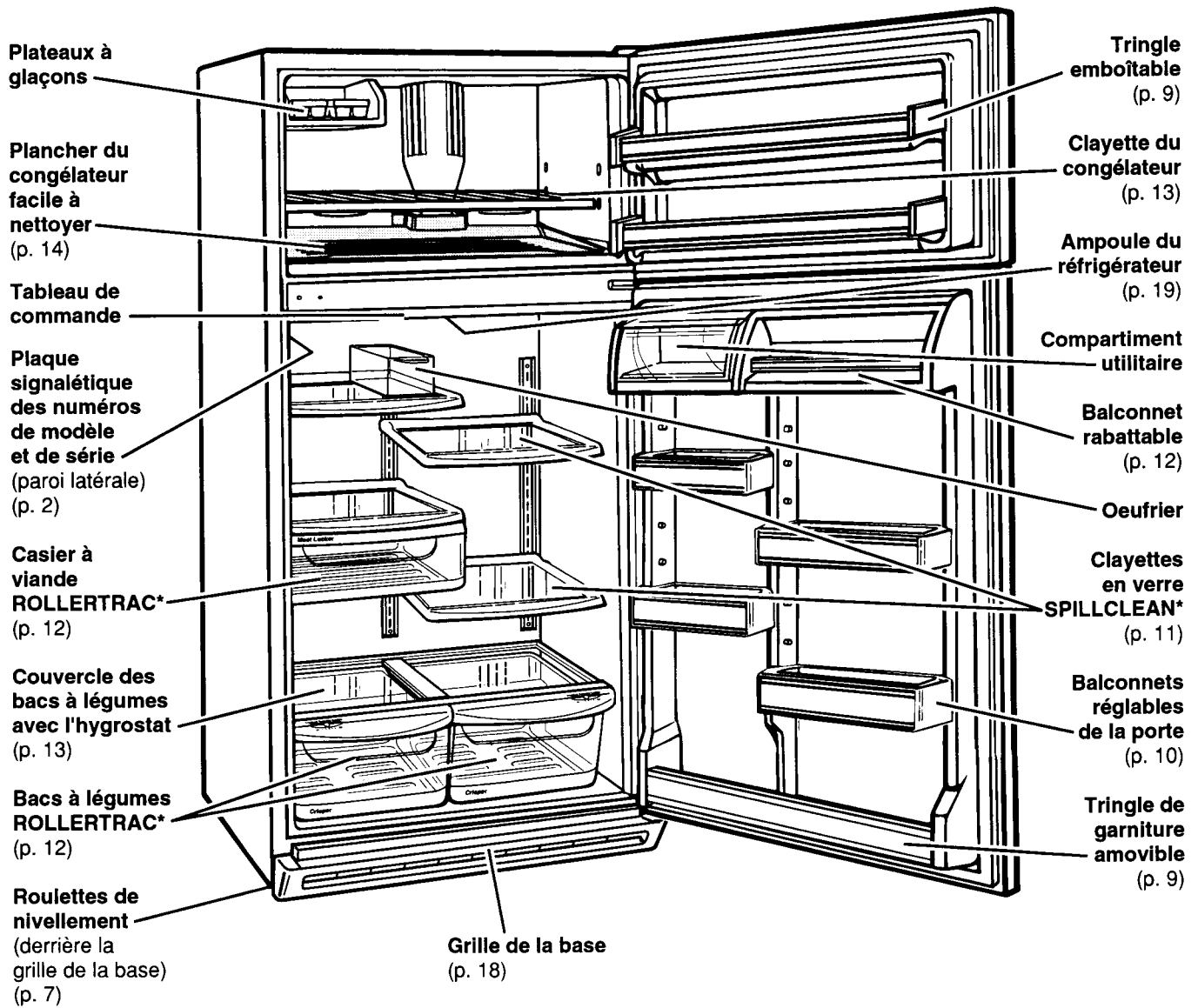
## STYLE 1



## Tableau de Commande



## STYLE 2



# Avant l'utilisation du réfrigérateur

Il est important de préparer votre réfrigérateur pour pouvoir l'utiliser. Cette section vous décrira comment le nettoyer, le brancher à une source d'alimentation, l'installer et le mettre de niveau. Pour les renseignements sur le raccordement de la machine à glaçons optionnelle à la canalisation d'eau, voir page 16, ou pour les renseignements sur l'inversion du sens d'ouverture des portes, voir page 21.

## Nettoyage du réfrigérateur

### Enlèvement des étiquettes commerciales

Avant d'utiliser le réfrigérateur, enlever le ruban adhésif et toutes les étiquettes à l'intérieur du réfrigérateur (sauf l'étiquette des numéros de modèle et de série).

#### Pour éliminer l'adhésif tenace :

- Frotter vivement à l'aide du pouce de façon à former une boule, puis enlever.

#### OU

- Verser du détergent à vaisselle liquide sur la zone concernée et laisser tremper avant d'enlever l'adhésif comme décrit ci-dessus. Ne pas utiliser d'instruments acérés, d'alcool à friction, de solvants inflammables ou de produits d'entretien abrasifs; cela peut endommager le matériau du réfrigérateur. Voir "Importantes instructions de sécurité" à la page 3.

**REMARQUE :** Ne pas enlever les étiquettes d'instructions permanentes apposées à l'intérieur du réfrigérateur. Ne pas retirer la fiche technique fixée sous le réfrigérateur, à l'avant.

### Nettoyage

Si nécessaire, après avoir enlevé les étiquettes commerciales, nettoyer le réfrigérateur avant de l'utiliser. Consulter les instructions de nettoyage à la page 23.



## Branchement

<b>⚠ AVERTISSEMENT</b>

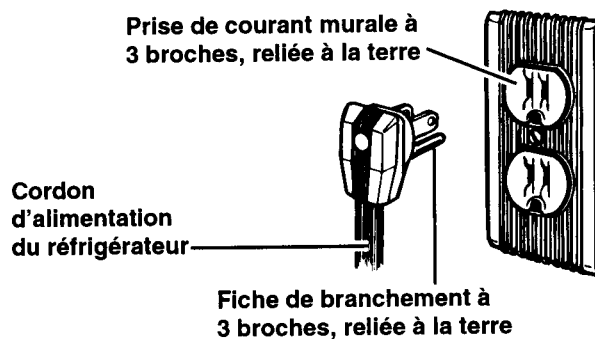
<b>Risque d'incendie</b> Ne pas utiliser un câble de rallonge. Le résultat peut être l'accident mortel, l'incendie ou le choc électrique si vous le faites.

<b>⚠ AVERTISSEMENT</b>

<b>Risque de choc électrique</b> Brancher l'appareil uniquement sur une prise à 3 broches reliée à la terre. Ne pas enlever la broche reliée à la terre. Ne pas utiliser un adaptateur. Le non-respect de ces instructions peut être la cause d'un accident mortel ou d'un choc électrique.

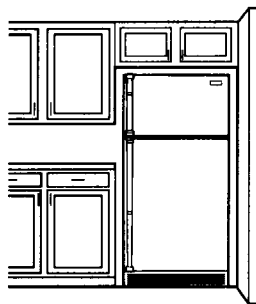
### Méthode recommandée de mise à la terre

Une source d'alimentation de 115 volts, 60 Hz, 15 ou 20 ampères CA seulement, protégée par fusible et adéquatement mise à la terre, est nécessaire. Il est recommandé d'utiliser un circuit distinct pour alimenter uniquement cet appareil. Utiliser une prise murale qui ne puisse être mise hors circuit à l'aide d'un commutateur ou d'une chaîne. Ne pas employer de rallonge.



## Installation correcte

1. Laisser un espace de 1,25 cm (1/2 po) de chaque côté et au-dessus du réfrigérateur pour en faciliter l'installation.
2. Si un côté des charnières du réfrigérateur est contre un mur, il serait bon de prévoir de l'espace supplémentaire de ce côté pour permettre une ouverture plus grande de la porte.
3. Le réfrigérateur peut être installé directement contre le mur arrière.



## Nivellement

### ⚠ AVERTISSEMENT



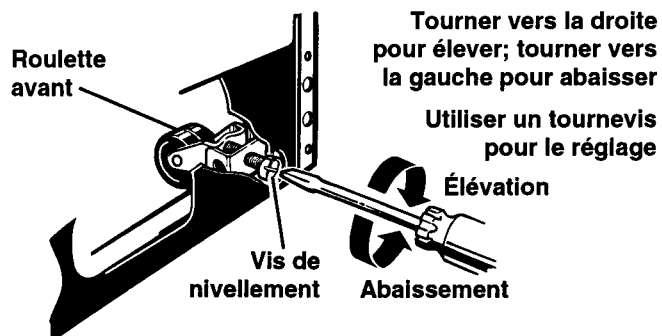
#### Risque de brûlures

**Ne touchez pas les tubes du système de réfrigération situés près du plateau de récupération de l'eau.**

**Le résultat peut être les brûlures si vous le faites.**

Ce réfrigérateur possède 2 roulettes avant réglables – une à droite et une à gauche. Pour en ajuster une ou les deux, suivre les instructions ci-dessous.

1. Enlever la grille de la base. (Voir page 18.)
2. Pour élever l'avant, tourner chaque vis dans le sens horaire.
3. Pour abaisser l'avant, tourner chaque vis dans le sens antihoraire.
4. Vérifier avec un niveau.
5. Remettre la grille de la base. (Voir page 19.)



# Utilisation du réfrigérateur

Pour pouvoir obtenir la meilleure performance du réfrigérateur, il convient de l'utiliser convenablement. Cette section décrit les opérations de réglage, les modes d'économie d'énergie, et l'utilisation des diverses caractéristiques et fonctions du réfrigérateur.

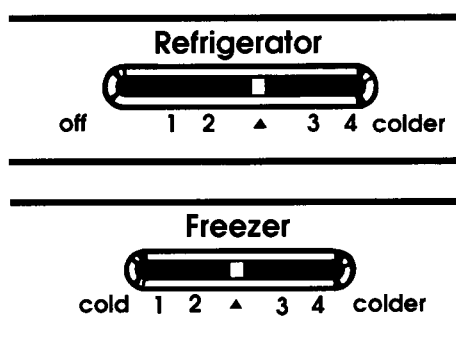
## Réglage des commandes

Les commandes du réfrigérateur et du congélateur se trouvent à l'intérieur du réfrigérateur. Au moment du branchement initial de l'appareil :

**1. Régler la commande du réfrigérateur à ▲ (réglage recommandé).** Les réglages du réfrigérateur vont de 1 (le plus chaud) à 4 (le plus froid).

**2. Régler la commande du congélateur à ▲ (réglage recommandé).** Les réglages du congélateur vont de 1 (le plus chaud) à 4 (le plus froid).

Avant d'y placer des aliments, laisser le réfrigérateur refroidir complètement. Ceci peut prendre plusieurs heures. Ces réglages devraient convenir pour l'utilisation domestique normale de l'appareil. Les commandes sont réglées à la température appropriée lorsque le lait ou le jus est froid au goût et que la crème glacée est ferme. Voir "Changement du réglage des commandes" ci-dessous s'il est nécessaire de modifier ces réglages.



## Changement du réglage des commandes

S'il est nécessaire de modifier la température du réfrigérateur ou du congélateur, utiliser les réglages énumérés dans le tableau ci-dessous.

- Régler d'abord la commande du réfrigérateur.
- Attendre au moins 24 heures entre chaque réglage.
- Puis régler la commande du congélateur si nécessaire.

CONDITION :	CAUSE :	RÉGLAGE RECOMMANDÉ DES COMMANDES :	
		Réfrigérateur	Congélateur
<b>Compartment réfrigérateur trop chaud</b>	<ul style="list-style-type: none"><li>• Ouverture fréquente de la porte</li><li>• Ajout d'une grande quantité d'aliments</li><li>• Température ambiante trop chaude</li></ul>	<b>4</b>	<b>2</b>
<b>Compartment congélateur trop chaud</b>	<ul style="list-style-type: none"><li>• Ouverture fréquente de la porte</li><li>• Ajout d'une grande quantité d'aliments</li><li>• Pièce très froide (réduction du nombre de cycles)</li></ul>	<b>3</b>	<b>4</b>
<b>Compartment réfrigérateur trop froid</b>	<ul style="list-style-type: none"><li>• Réglage incorrect des commandes pour les conditions chez vous</li></ul>	<b>2</b>	<b>4</b>

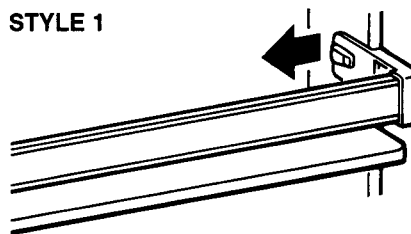
CONDITION :	CAUSE :	RÉGLAGE RECOMMANDÉ DES COMMANDES :	
		Réfrigérateur	Congélateur
<b>Fabrication lente des glaçons</b>	<ul style="list-style-type: none"> <li>• Grande utilisation de glaçons</li> <li>• Pièce très froide (réduction du nombre de cycles)</li> </ul>	4	4
<b>Deux compartiments trop chauds</b>	<ul style="list-style-type: none"> <li>• Ouverture fréquente de la porte</li> <li>• Ajout d'une grande quantité d'aliments</li> <li>• Température ambiante très chaude ou très froide</li> </ul>	4	4

## Retrait de la tringle de garniture emboîtable

### Pour retirer la tringle :

1. Retirer tous les articles rangés sur le balconnet.
2. Tirer sur la languette interne à chaque extrémité de la garniture.
3. Soulever la pièce de garniture pour la retirer, en ligne droite.

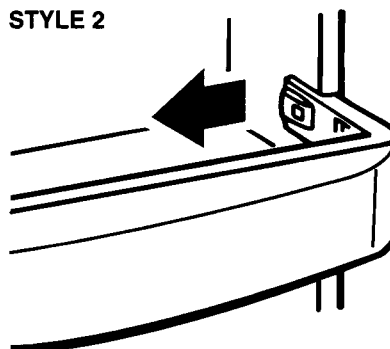
STYLE 1



### Pour remettre la tringle :

1. Aligner les extrémités de la pièce de garniture avec les ergots de la paroi de la porte.
2. Enfoncer la pièce de garniture en ligne droite, jusqu'à ce qu'elle s'emboîte solidement.
3. Réinstaller les articles sur le balconnet.

STYLE 2



## Retrait de la tringle de garniture amovible dans la porte

### Pour retirer la tringle :

1. Retirer tous les articles rangés sur le balconnet.
2. Tirer verticalement vers le haut aux deux extrémités de la tringle de garniture.



### Pour remettre la tringle :

1. Positionner chaque extrémité de la tringle de garniture au-dessus de la rainure destinée à la recevoir.
2. Pousser la tringle de garniture vers le bas jusqu'au point de butée.
3. Réinstaller les articles sur le balconnet.



---

## Réglage des balconnets dans la porte

Régler les balconnets dans la porte pour correspondre à votre utilisation du réfrigérateur.

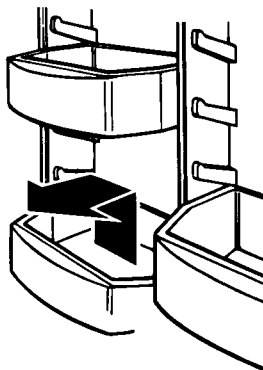
### Pour retirer les balconnets :

1. Soulever le balconnet.
2. Le retirer en tirant en ligne droite.

### Pour remettre les balconnets :

1. Glisser le balconnet au-dessus du bouton de support voulu.
2. L'abaisser jusqu'à ce qu'il soit en place.

STYLE 1



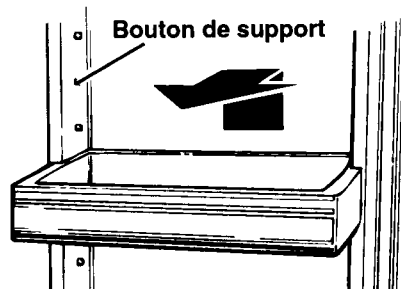
### Pour enlever les balconnets :

1. Soulever le balconnet.
2. Le retirer droit vers nous.

### Pour remettre les balconnets :

1. Tenir l'arrière du balconnet au-dessus du guide à la hauteur désirée.
2. Pousser le balconnet au fond et vers le bas jusqu'à ce qu'il soit bloqué.

STYLE 2



---

## Extraction des distributeurs de cannettes SLIDE 'N' LOCK\*

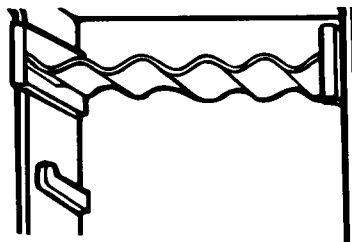
Chaque distributeur peut contenir cinq cannettes dans un endroit pratique, laissant plus d'espace pour les articles plus gros.

### Pour enlever les distributeurs :

1. Soulever le distributeur.
2. Le retirer droit vers vous.

### Pour remettre les distributeurs :

1. Tenir l'arrière du distributeur au-dessus de la rainure désirée.
2. Pousser le distributeur au fond et vers le bas jusqu'à ce qu'il s'arrête.





# Réglage des clayettes du réfrigérateur

Ajuster les clayettes pour qu'elles correspondent à votre utilisation du réfrigérateur.

## Clayettes SPILLCLEAN\* en porte-à-faux

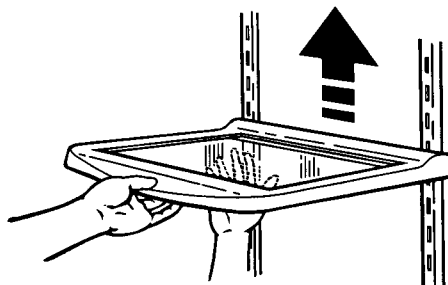
### Pour retirer les clayettes :

1. Incliner les clayettes à l'avant.
2. Soulever les clayettes à l'arrière.
3. Retirer les clayettes en ligne droite.

**IMPORTANT :** Les clayettes en verre sont lourdes. Procéder prudemment.

### Pour remettre les clayettes :

1. Guider les crochets à l'arrière de la clayette dans les fentes sur les supports de la clayette.
2. Incliner la clayette en avant vers le haut jusqu'à ce que les crochets tombent dans les fentes. Abaisser le devant de la clayette à la position de niveau.
3. Vérifier la stabilité de la clayette pour vous assurer que les crochets ont bien été insérés.



## Étagère ROLLERTRAC\* SPILLCLEAN en porte-à-faux

(sur certains modèles)

L'étagère ROLLERTRAC est munie de roulettes qui vous permettent de la retirer pour un accès plus facile aux aliments gardés au fond de l'étagère.

### Pour avancer l'étagère :

- Retirer délicatement le devant de l'étagère vers vous.

### Pour pousser l'étagère :

- Pousser l'étagère jusqu'à ce qu'elle s'arrête.

### Pour enlever l'étagère du métier :

1. Retirer l'étagère jusqu'à ce qu'elle s'arrête.
2. Soulever l'avant et retirer l'étagère encore.
3. Soulever l'étagère pour que les roulettes quittent vers la fente dans le métier.
4. Remplacer dans l'ordre inverse.

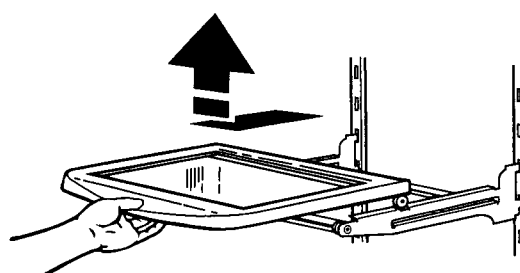
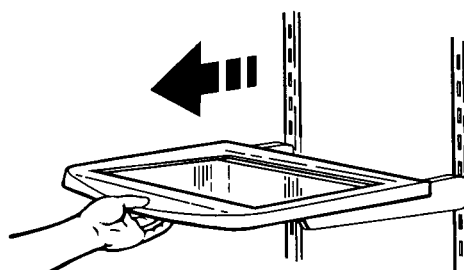
**IMPORTANT :** Les étagères en verre sont lourdes. Procéder prudemment.

### Pour enlever le métier de l'étagère :

1. Incliner le métier à l'avant.
2. Soulever le métier à l'arrière et retirer directement vers vous.

### Pour remettre le métier de la tablette :

1. Guider les crochets arrière du métier dans les fentes des supports de l'étagère.
2. Incliner le métier vers le haut en avant jusqu'à ce que les crochets s'enfoncent dans les fentes. Abaisser le devant du métier pour le mettre à niveau.
3. Vérifier la stabilité du métier pour vous assurer que les crochets sont bien insérés.



---

## Retrait du casier à viande et du couvercle

### Pour retirer le casier à viande :

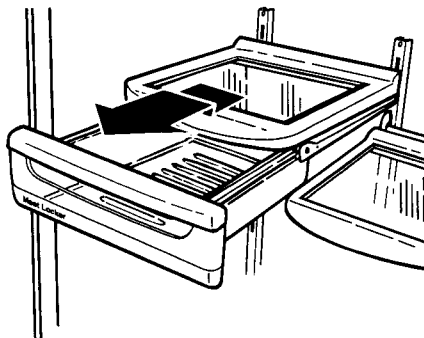
1. En tirant, glisser le casier à viande jusqu'à la butée.
2. Soulever l'avant du casier à viande et le glisser complètement à l'extérieur.
3. Pour le remettre, refaire les étapes dans l'ordre inverse.

### Pour retirer le couvercle :

1. Incliner l'avant du couvercle.
2. Soulever l'arrière.
3. Tirer tout droit.

### Pour remettre le couvercle :

1. Insérer les crochets arrière dans les fentes des supports du couvercle situés sur la paroi de la caisse.
2. Soulever l'avant du couvercle jusqu'à ce que les crochets s'enfoncent dans les fentes.
3. Abaisser l'avant du couvercle pour le mettre à niveau.

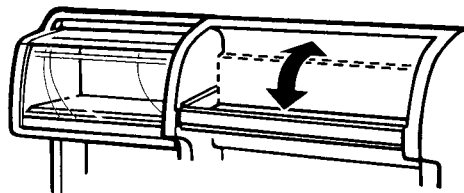


Tirer jusqu'à la butée, soulever l'avant et tirer de nouveau.

---

## Utilisation du balconnet rabattable (sur certains modèles)

On peut rabattre la partie inférieure du balconnet pour pouvoir ranger de grands articles sur le balconnet se trouvant en dessous. Lorsque le balconnet est abaissé, on peut y ranger des articles pesant jusqu'à 4,5 kg (10 lb).



---

## Retrait des bacs à légumes et du couvercle

### Pour retirer le bac à légumes :

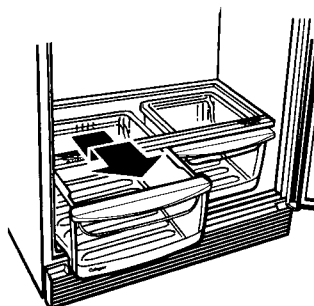
1. En tirant, glisser le bac à l'extérieur jusqu'à la butée.
2. Soulever l'avant et glisser complètement le bac à l'extérieur.
3. Pour le remettre, refaire les étapes dans l'ordre inverse.

### Pour retirer le couvercle :

1. Placer les mains sous le panneau du couvercle, le soulever, puis le retirer.
2. Soulever l'avant du cadre du couvercle.
3. Soulever le cadre du couvercle en le tirant.

### Pour remettre le couvercle :

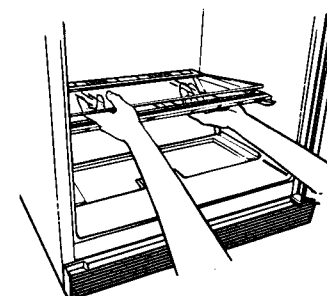
1. Insérer l'arrière du couvercle dans les supports à encoches situés sur la paroi arrière du réfrigérateur, puis abaisser en place.
2. S'assurer que le support en métal du couvercle avant est dans les encoches aux côtés de la paroi interne.  
**REMARQUE :** Si le support n'est pas en position correcte, les portes peuvent ne pas se fermer complètement.
3. Glisser l'arrière du panneau en verre en place, puis abaisser le devant.



Tirer jusqu'à la butée, soulever l'avant et tirer de nouveau.

Retirer le panneau du couvercle. Soulever l'avant puis l'arrière du couvercle.

**REMARQUE :** Manipuler prudemment le panneau en verre. Il peut être lourd.



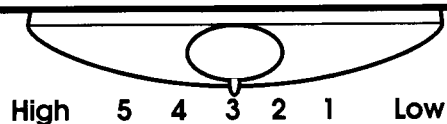
---

## Réglage de l'hygrostat des bacs à légumes

Ce réglage permet de contrôler le degré d'humidité dans le bac étanche. La commande peut être réglée à n'importe quel réglage entre LOW (FAIBLE) et HIGH (ÉLEVÉ).

- En position FAIBLE (ouvert), le réglage laisse échapper l'air humide du réfrigérateur pour mieux conserver les fruits et légumes à pelure.
- En position ÉLEVÉ (fermé), le réglage permet de retenir l'humidité à l'intérieur du bac pour mieux conserver les légumes à feuilles frais.

### *FreshSeal* Humidity Control



---

## Réglage de la clayette à mi-largeur du congélateur

(sur certains modèles)

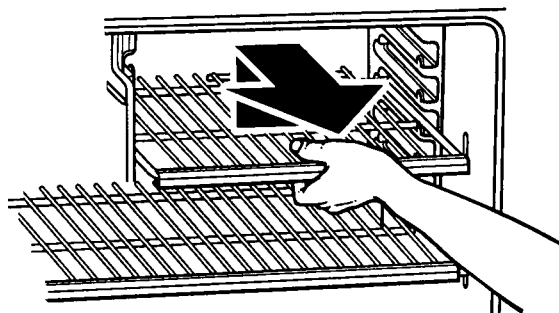
Choisir le réglage de la clayette en fonction de l'espace nécessaire dans le congélateur. Placer la clayette à la position la plus basse lorsqu'on n'a pas vraiment besoin de la clayette.

### Réglage de la clayette :

1. Retirer tous les articles posés sur la clayette.
2. Soulever la clayette à l'avant.
3. Tirer la clayette pour la dégager de la butée.
4. Soulever l'arrière de la clayette.
5. Retirer complètement la clayette.

### Pour remettre la clayette en place :

1. Guider l'arrière de la clayette pour la placer dans les guides désirés.
2. Soulever l'arrière de la clayette pour la faire passer par-dessus la butée.
3. Enfoncer complètement la clayette.
4. Abaisser l'avant jusqu'à la position correcte.



---

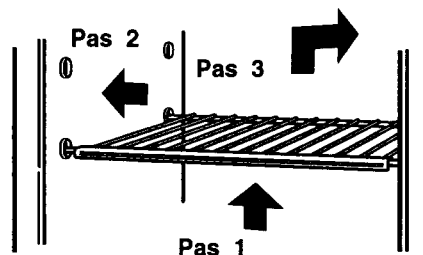
## Réglage de la clayette du congélateur

(sur certains modèles)

Régler la clayette du congélateur pour convenir à votre utilisation du congélateur.

### Pour retirer la clayette :

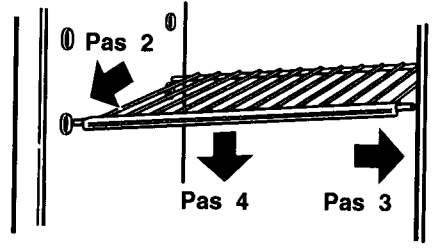
1. Soulever délicatement toute la clayette.
2. Pousser la clayette complètement vers un côté.
3. Soulever l'autre côté pour l'extraire des supports de la clayette.
4. Retirer complètement la clayette.



### Pour remettre la clayette :

1. Incliner la clayette et la glisser dans le compartiment congélateur.
2. Insérer complètement l'extrémité de la clayette au centre des supports de la clayette.
3. Abaisser l'autre extrémité de la clayette et insérer dans les supports de la clayette.
4. Abaisser la clayette en place.

**REMARQUE :** La clayette doit être légèrement abaissée et fixée en place. Si la clayette ne semble pas solide, s'assurer que les deux extrémités de la clayette sont bien insérées dans les supports.



## Extraction du plancher amovible du congélateur (sur certains modèles)

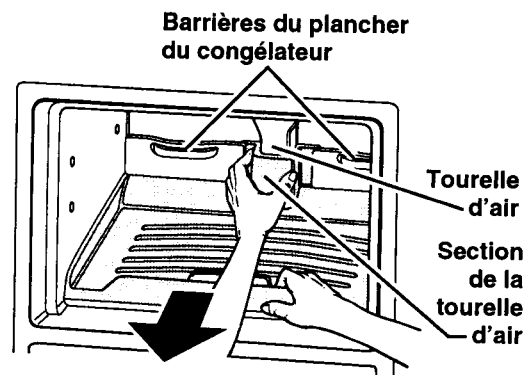
On peut retirer le plancher du congélateur pour accéder plus facilement aux aliments placés à l'arrière du congélateur, ou pour faciliter le nettoyage.

### Retrait du plancher du congélateur :

1. Soulever les deux "barrières" à l'arrière et les retirer.
2. Retirer le plancher d'une main à environ 2,5 cm (1 po) autour de la section de la tourelle d'air (au centre à l'arrière), et en tenant avec l'autre main le devant au centre.
3. Soulever le plancher à l'arrière jusqu'à ce que les crochets se dégagent de la caisse.
4. Retirer le plancher pour le sortir complètement.

### Pour remettre le plancher du congélateur :

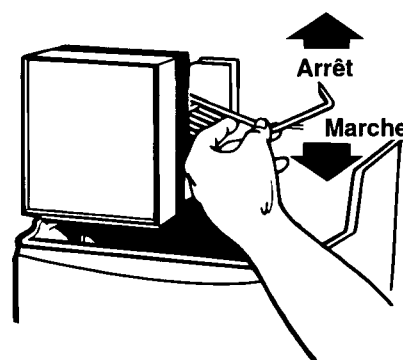
1. Positionner l'arrière du plancher du congélateur dans l'ouverture du congélateur.
2. Faire glisser le plancher directement jusqu'à ce que les crochets tombent en place à l'arrière de la caisse.
3. Replacer les "barrières" en alignant les chevilles avec les douilles dans le plancher. Abaisser jusqu'elles s'enclenchent en position.



## Utilisation de la machine à glaçons automatique optionnelle

Si votre réfrigérateur est équipé d'une machine à glaçons automatique ou si vous projetez d'en acquérir une (contactez le concessionnaire pour le numéro de pièce), voici quelques points qu'il est bon de connaître.

- Le levier MARCHE/ARRÊT est un bras de commande électrique.  
 ABAISSÉ la machine marche automatiquement  
 SOULEVÉ la machine est hors circuit  
**IMPORTANT** : Ne pas mettre la machine à glaçons en marche tant qu'elle n'est pas raccordée à la canalisation d'eau.
- Avant d'enlever le bac à glaçons, soulever le bras de commande pour mettre hors circuit la machine à glaçons. Au moment de remettre le bac, le pousser jusqu'au fond et abaisser le bras de commande en position MARCHE.
- Pour obtenir des glaçons de qualité, il faut de la bonne eau. Il n'est pas recommandé de raccorder la machine à glaçons à une source d'eau adoucie. Les produits chimiques, comme le sel provenant d'un adoucisseur d'eau en mauvais état de marche, risquent d'endommager le moule de la machine à glaçons et de produire des glaçons de piètre qualité. Si la machine doit être raccordée à une source d'eau adoucie, il est important que l'adoucisseur soit entretenu avec soin et maintenu en bon état de marche.



**SOULEVER**  
pour mettre fin  
à la formation  
de glaçons.

**ABAISSEZ**  
pour mettre la  
machine en  
marche.

## Solutions aux problèmes de fonctionnement de la machine à glaçons

PROBLÈME	CAUSE/SOLUTION POSSIBLE
<b>Les glaçons en demi-lune sont collés</b>	<ul style="list-style-type: none"> <li>• C'est normal. Ils se séparent facilement. Agiter le bac occasionnellement pour séparer les glaçons.</li> </ul>
<b>La machine ne fonctionne pas ou les glaçons ne se font pas assez vite.</b>	<ul style="list-style-type: none"> <li>• Le levier MARCHE/ARRÊT est à la position ARRÊT (soulevé). Abaisser le levier à la position MARCHE (abaissé).</li> <li>• Le congélateur n'est pas assez froid. Régler d'abord les commandes et attendre au moins 24 heures. (Voir "Changement du réglage des commandes" à la page 8.)</li> </ul>
<b>Arrière-goût ou mauvaise odeur de la glace</b>	<ul style="list-style-type: none"> <li>• On peut observer une coloration de la glace ou noter la présence d'un mauvais goût, après l'exécution de nouveaux raccordements de plomberie. Jeter la glace et en faire d'autre.</li> <li>• Les glaçons sont trop vieux. Les jeter et en faire d'autres.</li> <li>• Emballage incorrect des aliments dans le congélateur. Voir page 27.</li> <li>• Nettoyage nécessaire du bac à glaçons et du congélateur. Voir page 23.</li> <li>• L'eau peut contenir les minéraux (comme le soufre). Un filtre peut être requis pour les enlever.</li> </ul>

# Raccordement de la machine à glaçons optionnelle à la canalisation d'eau

Lire attentivement toutes les instructions avant de commencer le travail.

## ⚠ AVERTISSEMENT



### Risque de choc électrique

**Débrancher le réfrigérateur avant l'installation.  
Le non-respect de cette instruction peut être la cause d'un accident mortel ou d'un choc électrique.**

### IMPORTANT :

- Utiliser uniquement des tubes en cuivre et vérifier s'ils fuient.
- Installer le tube en cuivre alimentant la machine à glaçons à un endroit où la température se maintient au-dessus du point de congélation de l'eau.

### Outillage nécessaire :

- Tournevis
- Clés plates de 7/16 po et 1/2 po, ou 2 clés à molette
- Tourne-écrou, 1/4 po
- Foret, 1/4 po
- Perceuse manuelle ou perceuse électrique (convenablement reliée à la terre)

**REMARQUE :** On peut trouver chez le concessionnaire un ensemble comprenant un robinet d'arrêt de 1/4 po avec bride de prise en charge, un raccord de connexion et un tube en cuivre. Avant d'acheter cet ensemble, vérifier que le robinet d'arrêt avec bride de prise en charge satisfait aux exigences des codes de plomberie locaux. Ne pas utiliser un robinet d'arrêt à aiguille perforante ou un robinet monté sur une bride de prise en charge de 3/16 po, qui réduit le débit d'eau et s'obstrue plus facilement.

### Arrivée d'eau froide

La valve d'entrée d'eau de la machine à glaçons comprend une rondelle de contrôle du débit, qui est utilisée comme élément de régulation de la pression d'eau. La canalisation qui alimente la machine à glaçons en eau froide doit distribuer l'eau sous une pression de 20 à 120 lb/po<sup>2</sup>. Si un problème survient, contacter la compagnie de distribution d'eau.

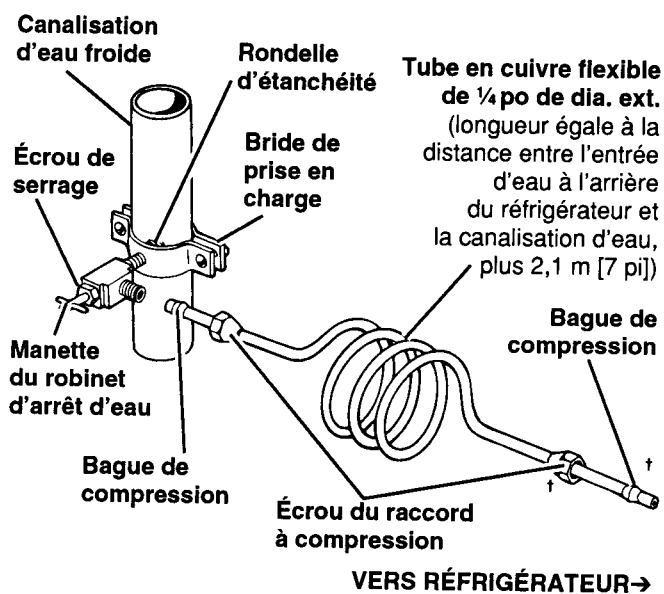
### IMPORTANT :

- Une période d'attente pouvant atteindre 24 heures est nécessaire avant que l'appareil commence à produire des glaçons.
- Si on doit utiliser le réfrigérateur avant qu'il soit raccordé à la canalisation d'eau, placer la commande de la machine à glaçons à la position d'arrêt (OFF) pour empêcher que la machine à glaçons fonctionne sans produire de glace.
- Tous les aspects de l'installation doivent être conformes aux exigences des codes de plomberie locaux.

**Le fabricant du réfrigérateur ou de la machine à glaçons n'accorde aucune garantie à l'égard de l'installation.**

## Raccordement à une canalisation d'eau

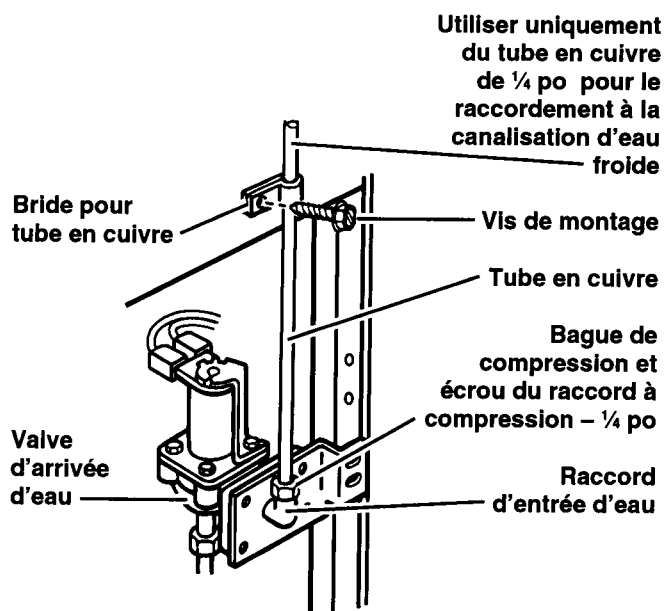
1. Trouver une canalisation d'eau FROIDE verticale de ½ po à 1¼ po au voisinage du réfrigérateur.  
**REMARQUE :** On peut alimenter le réfrigérateur à partir d'une canalisation horizontale, mais on doit alors observer la précaution suivante : percer par le dessus de la canalisation, et pas par le dessous. Ainsi, l'eau ne risquera pas d'arroser la perceuse. Ceci empêche également les sédiments qu'on trouve normalement dans l'eau de s'accumuler dans le robinet d'arrêt.
2. Mesurer la distance entre le point de connexion à l'arrière du réfrigérateur et la tuyauterie d'arrivée d'eau. Ajouter une longueur de 2,1 m (7 pi) pour permettre le déplacement du réfrigérateur pour les opérations de nettoyage. C'est la longueur du tube en cuivre de ¼ po de dia. ext. qu'on doit utiliser pour le raccordement (distance entre le point de connexion et la tuyauterie d'arrivée PLUS 2,1 m [7 pi]). Veiller à ce que le tube soit coupé d'équerre aux deux extrémités.
3. **FERMER** le robinet de distribution d'eau principal. **OUVRIR** le robinet de puisage le plus proche pendant une période suffisante pour que la canalisation d'eau se vide.
4. À l'aide d'une perceuse électrique reliée à la terre, percer un trou de ¼ po dans la canalisation d'eau froide choisie.
5. Fixer le robinet d'arrêt sur la canalisation d'eau froide avec la bride de prise en charge. Vérifier que le raccord du robinet est bien engagé dans le trou de ¼ po percé dans la canalisation, et que la rondelle d'étanchéité est placée sous la bride de prise en charge. Serrer l'écrou de serrage sur la tige du robinet. Serrer soigneusement et uniformément les vis fixant la bride de prise en charge sur la tuyauterie, afin que la rondelle forme une jonction étanche. Ne pas serrer excessivement, car ceci pourrait provoquer l'écrasement du tube en cuivre, particulièrement s'il s'agit d'un tube en cuivre malléable. On est alors prêt à connecter le tube de raccordement en cuivre.
6. Enfiler l'écrou et la bague de compression du raccord sur le tube en cuivre, comme on le voit sur l'illustration. Insérer l'extrémité du tube aussi loin que possible dans l'ouverture de sortie du robinet. Visser l'écrou du raccord à compression sur le raccord de sortie avec une clé à molette. Ne pas serrer excessivement. Ouvrir le robinet d'arrivée d'eau principal, et laisser l'eau s'écouler par le tube de raccordement jusqu'à ce qu'elle soit limpide. Fermer le robinet d'arrivée d'eau principal. Enrouler le tube de raccordement en spirale.



† Le deuxième écrou et bague de compression ne seront pas dotés sur certains modèles.

## Raccordement au réfrigérateur

1. Débrancher le bride pour tube en cuivre sur le derrière du réfrigérateur et insérer le tube en cuivre au bride, comme montré à la droite. Connecter le tube en cuivre au robinet d'arrivée avec un écrou de compression comme montré à la droite. Resserrer l'écrou. Ne pas serrer excessivement. Rebrancher la bride et le tube au derrière de l'appareil. Passer à l'étape 2.
2. **OUVRIER le robinet d'arrêt. INSPECTER POUR RECHERCHER LES FUITES. SERRER TOUT RACCORD OU ÉCROU COMPORTANT UNE FUIE (CECI INCLUANT LES RACCORDEMENTS DE LA VALVE D'ENTRÉE D'EAU).**
3. La machine à glaçons est équipé d'un filtre à eau incorporé. Si la qualité de l'eau distribuée localement nécessite un nettoyage périodique, ou si l'eau qui alimente l'appareil provient d'un puits, il serait utile d'installer un second filtre avec le tube de raccordement de 1/4 po. On peut obtenir un tel filtre à eau chez le concessionnaire d'appareils ménagers le plus proche. Installer le filtre au niveau de n'importe laquelle des connexions du tube de raccordement.
4. Rebrancher le réfrigérateur sur la source d'alimentation électrique.



## Retrait de la grille de la base

### ⚠ AVERTISSEMENT



#### Risque de brûlures

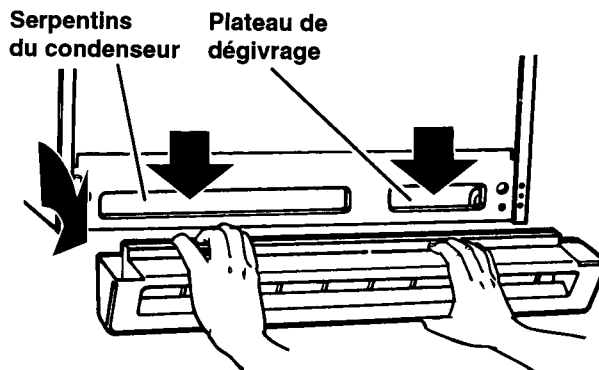
**Ne touchez pas les tubes du système de réfrigération situés près du plateau de récupération de l'eau.**

**Le résultat peut être les brûlures si vous le faites.**

#### Pour retirer la grille :

1. Ouvrir la porte du réfrigérateur.
2. Saisir la grille à deux mains.
3. Appuyer sur le bord supérieur de la grille pour libérer les agrafes supérieures.
4. Faire basculer la grille vers l'opérateur pour libérer les agrafes supérieures.
5. Séparer la grille du réfrigérateur en tirant en ligne droite.

**REMARQUE :** Ne pas retirer la fiche technique fixée derrière la grille.

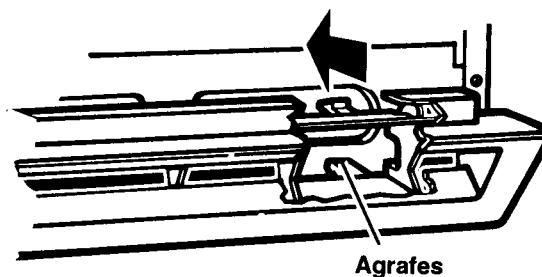




### Pour remettre la grille :

1. Aligner les bords de la grille avec les bords extérieurs de la caisse.
2. Faire basculer la grille vers l'opérateur.
3. Placer les agrafes inférieures dans les ouvertures du panneau métallique.
4. Faire basculer la grille dans la caisse jusqu'à ce que les agrafes s'emboîtent.
5. Fermer la porte du réfrigérateur.

Voir les instructions de nettoyage du plateau de dégivrage et des serpentins du condenseur à la page 24.



## Remplacement des ampoules électriques

### ⚠ AVERTISSEMENT



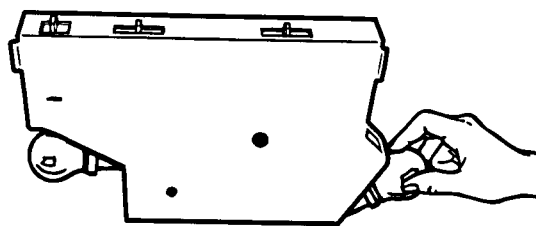
#### Risque de choc électrique

Débrancher le réfrigérateur avant de retirer une ampoule.

Le résultat peut être la mort ou choc électrique si vous le faites.

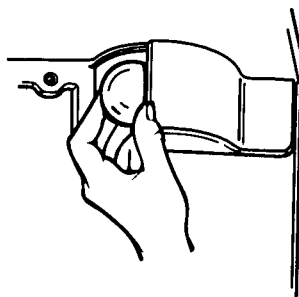
### Pour remplacer l'ampoule du réfrigérateur :

1. Débrancher le réfrigérateur de la prise.
2. Saisir l'ampoule située derrière le tableau de commande.
3. La remplacer par une ampoule de 40 watts pour appareil électroménager.
4. Rebrancher le réfrigérateur.



### Pour remplacer l'ampoule du congélateur :

1. Débrancher le réfrigérateur de la prise.
2. Saisir l'ampoule située derrière le couvercle.
3. Remplacer l'ampoule par une ampoule de 40 watts pour appareils électroménagers.
4. Rebrancher le réfrigérateur.



**REMARQUE :** Votre réfrigérateur ne pourra pas accommoder toutes les ampoules commerciales pour appareils électroménagers. S'assurer de faire le remplacement par une ampoule de taille et de forme similaires.

---

## Les bruits de l'appareil

Il est possible que le réfrigérateur émette des bruits que le précédent ne produisait pas. Comme ces bruits sont nouveaux, ils peuvent vous inquiéter. Ne vous faites pas de souci. La plupart des bruits nouveaux sont normaux. Les surfaces dures, comme le plancher, les murs, les armoires, peuvent faire paraître les bruits plus forts.

Les paragraphes suivants décrivent les bruits qui sont susceptibles de vous sembler nouveaux et leur origine.

### Bourdonnement léger, sifflement doux

Ils peuvent être dus au moteur du ventilateur du réfrigérateur et à la circulation de l'air.

### Bruits secs ou claquements

Le thermostat émet un bruit sec distinctif lorsque le moteur du réfrigérateur s'arrête. Il en émet aussi un lorsqu'il se remet en marche. La minuterie du dégivreur produit un bruit sec au début et à la fin du cycle de dégivrage.

### Gargouillement

Lorsque le réfrigérateur cesse de fonctionner, un gargouillement peut se produire dans la tuyauterie durant les quelques minutes suivantes. Il est aussi possible que l'eau du dégivrage émette un bruit en tombant dans le plateau de dégivrage.

### Bruits de la machine à glaçons

- Écoulement de l'eau
- Bruit sourd (entrechoquement des glaçons)

Comme le réfrigérateur est muni d'une machine à glaçons, vous entendrez peut-être des bourdonnements (du robinet d'eau), des gargouillements et le bruit des glaçons qui s'entrechoquent.

### Bruits mécaniques

Le réfrigérateur est équipé d'un moteur et d'un compresseur à haute efficacité. Il fonctionne plus longtemps que les anciens modèles. Il peut même sembler fonctionner sans arrêt.

---

## Conseils pour économiser l'énergie

Vous êtes en mesure de réduire la consommation d'énergie du réfrigérateur en prenant quelques précautions.

- Vérifier si les joints des portes sont étanches. Installer la caisse de niveau pour assurer l'étanchéité.
- Nettoyer régulièrement les serpentins du condenseur.
- Ouvrir la porte le moins souvent possible. Décider des articles requis avant d'ouvrir la porte. Retirer tout le nécessaire en une seule fois. Organiser adéquatement le contenu afin d'éviter de chercher. Fermer la porte dès que les aliments ont été retirés.

- Remplir le réfrigérateur au besoin, mais éviter de le surcharger et d'empêcher ainsi la circulation de l'air.
- Le réglage du réfrigérateur et du congélateur à des températures plus élevées que nécessaires consomme inutilement de l'électricité. Si la crème glacée est ferme dans le congélateur et que les boissons sont aussi froides que voulues, la température est correcte.
- S'assurer que le réfrigérateur n'est pas installé à proximité d'une source de chaleur, telle que cuisinière, chauffe-eau, fournaise, appareil de chauffage, ou directement exposé au soleil.

# Inversion du sens d'ouverture des portes

## OUTILLAGE NÉCESSAIRE :

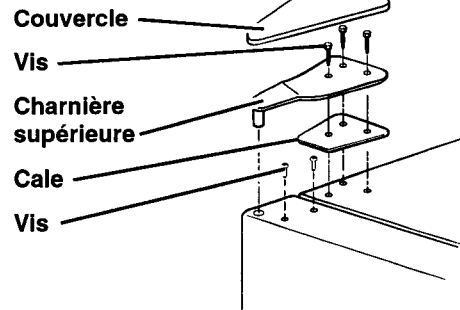
Clé à douille hexagonale de  $\frac{5}{16}$  po, tournevis Philips N° 2, tournevis à lame plate,  $\frac{1}{2}$  po clé à douille ouverte

## INFORMATION IMPORTANTE :

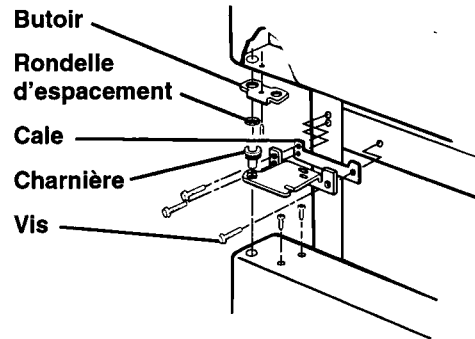
- Avant de commencer, arrêter le réfrigérateur et retirer tous les produits alimentaires des clayettes de la porte.
- Retrait de la grille de la base.
- Lorsqu'on enlève les charnières, garder fermées jusqu'à ce qu'on soit prêt à les retirer de la caisse en les soulevant.
- Pour retirer les portes, commencer à la charnière supérieure et procéder vers le bas.
- Pour ôter les vis de la charnière centrale, retirer la cheville centrale en la tournant de  $\frac{1}{4}$  à  $\frac{1}{2}$  tour. Elle sortira par elle-même.
- Pour réinstaller les portes, commencer à la charnière inférieure et procéder vers le haut.
- Aligner les portes afin qu'elles soient centrées par rapport aux côtés de la caisse et parallèles.
- Boucher tous les trous inutilisés avec des vis ou des bouchons en plastique. L'humidité pénètre par n'importe quelle ouverture.
- Le joint de la porte peut être ajusté en ajoutant ou en retirant des cales aux charnières centrale et inférieure.

## Inversion du sens des charnières

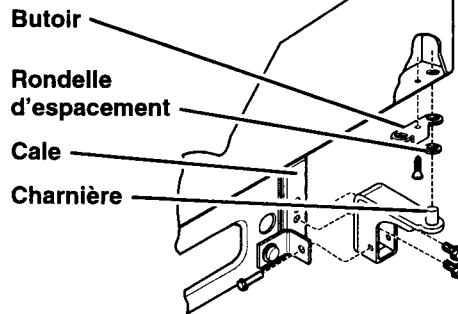
### CHARNIÈRE SUPÉRIEURE



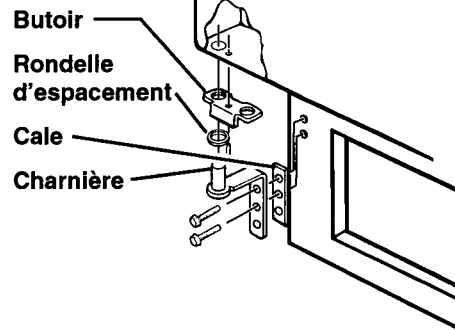
### CHARNIÈRE CENTRALE



### CHARNIÈRE INFÉRIEURE Genre 1

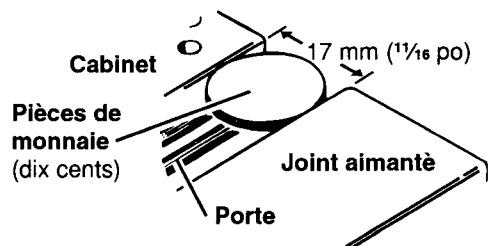


### CHARNIÈRE INFÉRIEURE Genre 2

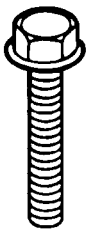
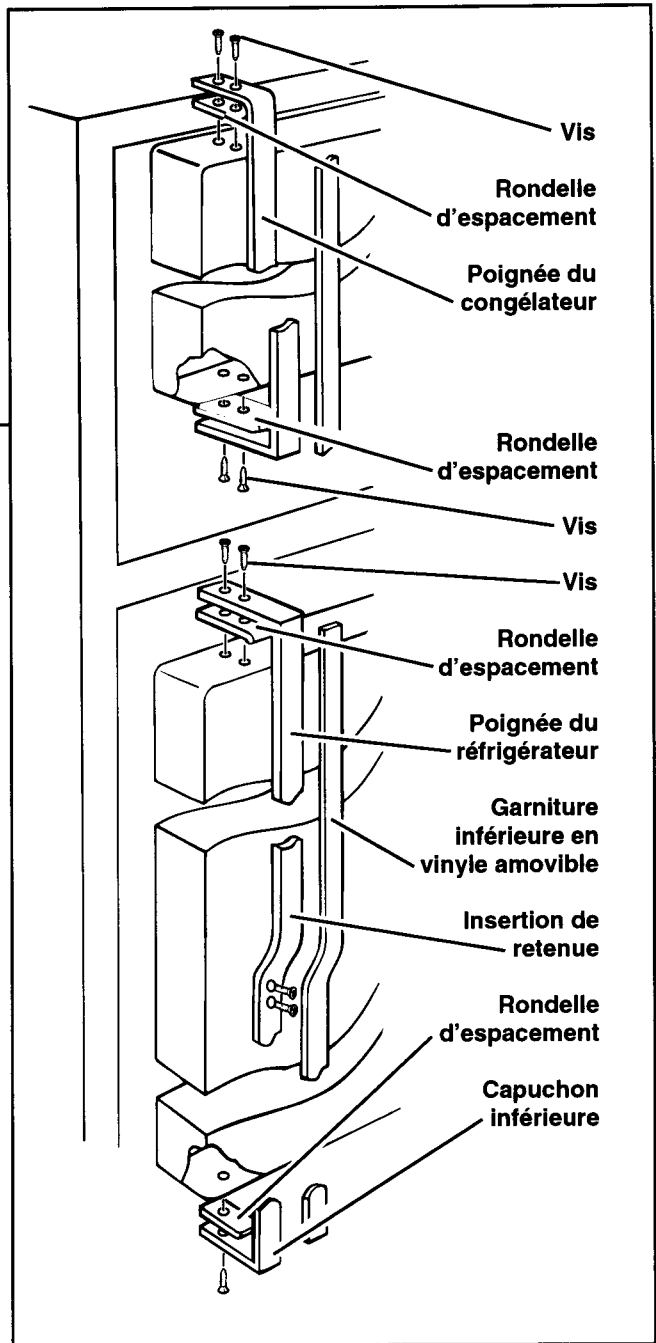
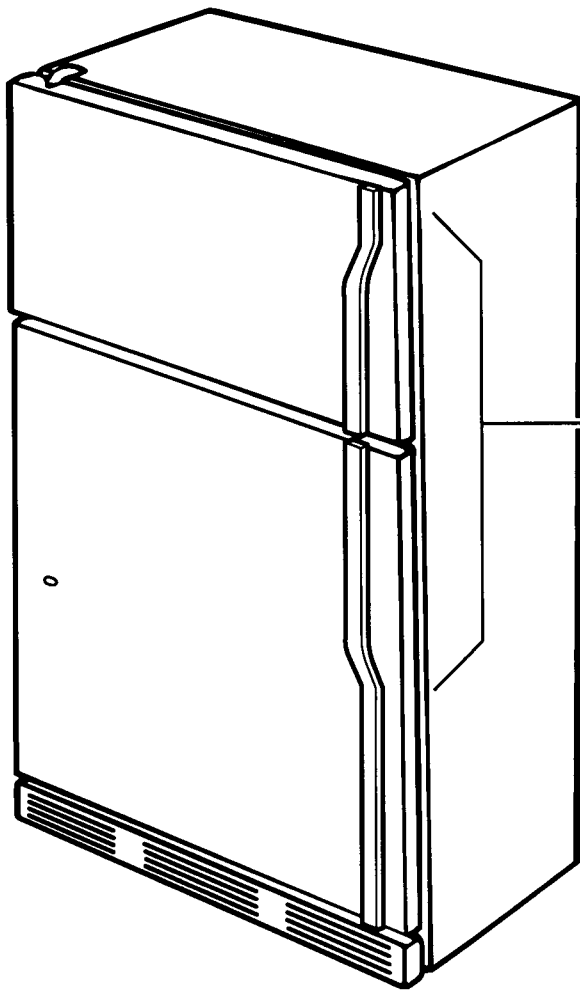


### REMARQUE:

Lors du remplacement des portes, régler l'espacement des portes à 17 mm ( $\frac{1}{16}$  po).



## Inversions des poignées de porte



**VIS HEXAGONALE  
DE 5/16 po DE  
CHARNIÈRE**



**VIS DE  
COMPTOIR**



**VIS OVALE DE JOINT  
(S'EMPLOIE AU BAS  
DES PORTES)**



**VIS DE  
POIGNÉE**



**VIS OVALE DE  
JOINT (S'EMPLOIE  
AU SOMMET DES  
PORTES)**

# Entretien du réfrigérateur

Ce réfrigérateur a été conçu et construit pour offrir de nombreuses années de service fiable. L'utilisateur peut cependant faire certaines choses pour en augmenter la longévité. Cette section décrit comment nettoyer le réfrigérateur, et ce qu'il faut faire avant une période de vacances, avant un déménagement, ou à l'occasion d'une interruption de l'alimentation électrique.

## Nettoyage du réfrigérateur

Les compartiments réfrigérateur et congélateur se dégivrent automatiquement. Tous deux doivent cependant être nettoyés environ une fois par mois, afin de prévenir l'accumulation d'odeurs. Essuyer immédiatement les produits renversés.



Pour nettoyer le réfrigérateur, débrancher l'appareil, retirer toutes les pièces amovibles et les nettoyer conformément aux instructions suivantes.

## ⚠ AVERTISSEMENT



### Risque de brûlures

**Ne touchez pas les tubes du système de réfrigération situés près du plateau de récupération de l'eau.**

**Le résultat peut être les brûlures si vous le faites.**

PIÈCE	MATÉRIEL	MÉTHODE DE NETTOYAGE
<b>Pièces amovibles</b> (clayettes, etc.)	Éponge ou chiffon avec détergent doux et eau tiède	<ul style="list-style-type: none"> <li>• Laver à la main et sécher à fond.</li> </ul>
<b>Extérieur</b>	Éponge, chiffon ou essuie-tout en papier avec détergent doux, eau tiède et cire pour appareil électroménager (ou cire en pâte de qualité pour automobile)	<ul style="list-style-type: none"> <li>• Laver l'extérieur du réfrigérateur. Ne pas utiliser de nettoyants durs ou abrasifs.</li> <li>• Rincer et sécher à fond.</li> <li>• Cirer les surfaces métalliques peintes au moins deux fois par an. Appliquer la cire avec un chiffon doux et propre. <b>Le cirage des surfaces métalliques peintes les protège contre la rouille. Ne pas utiliser de cire sur les pièces en plastique.</b></li> </ul>
<b>Parois intérieures</b> (le congélateur doit être assez tiède pour que le chiffon n'adhère pas)	Éponge, chiffon doux ou essuie-tout en papier avec bicarbonate de soude ou détergent doux et eau tiède	<ul style="list-style-type: none"> <li>• Laver avec de l'eau tiède et :               <ul style="list-style-type: none"> <li>– du détergent doux ou</li> <li>– du bicarbonate de soude (26 g [2 cuillères à soupe] ajoutés à 0,95 L [1 pinte] d'eau).</li> </ul> </li> <li>• Rincer et sécher à fond.</li> </ul>
<b>Garnitures et joints des portes</b>	Éponge, chiffon doux ou essuie-tout en papier avec détergent doux et eau tiède	<ul style="list-style-type: none"> <li>• Essuyer et sécher à fond.</li> </ul> <p><b>NE PAS UTILISER de cires nettoyantes, de détergents concentrés, d'eau de Javel ni de nettoyants contenant du pétrole, sur des pièces en plastique.</b></p>
<b>Pièces en plastique</b> (couverts et panneaux)	Éponge douce et propre ou chiffon doux et propre avec détergent doux et eau tiède	<ul style="list-style-type: none"> <li>• Essuyer et sécher à fond.</li> </ul> <p><b>NE PAS UTILISER d'essuie-tout en papier, de nettoyants pour vitres, de produits à récurer ni de solvants inflammables, car ils risquent d'égratigner ou d'endommager le matériel. Voir "Importantes instructions de sécurité" à la page 3.</b></p>

suite à la page suivante

PIÈCE	MATÉRIEL	MÉTHODE DE NETTOYAGE
<b>Plateau de dégivrage</b>	Éponge ou chiffon avec détergent doux et eau tiède	<ul style="list-style-type: none"> <li>• Retirer la grille de la base. (Voir page 18.)</li> <li>• Retirer le plateau de dégivrage, que l'on peut atteindre par la petite ouverture sur le côté droit.</li> <li>• Laver, rincer et sécher à fond.</li> <li>• Réinstaller le plateau de dégivrage. Veiller à bien l'enfoncer complètement dans l'ouverture.</li> <li>• Réinstaller la grille de la base. (Voir page 19.)</li> </ul>
<b>Serpentins du condenseur</b>	Accessoire étroit et long de l'aspirateur	<ul style="list-style-type: none"> <li>• Retirer la grille de la base. (Voir page 18.)</li> <li>• Nettoyer les serpentins lorsqu'ils sont sales ou poussiéreux. Il se peut que les serpentins aient besoin d'être nettoyés tous les deux mois.</li> <li>• Réinstaller la grille de la base. (Voir page 19.)</li> </ul>

## Préparatifs avant le départ en vacances ou un déménagement

### Longues vacances

Si les vacances durent un mois ou plus :

1. Retirer tous les aliments du réfrigérateur.
2. Si votre réfrigérateur est équipé d'une machine à glaçons :
  - Fermer l'approvisionnement d'eau de la machine à glaçons au moins une journée à l'avance.
  - Lorsque tous les glaçons sont épuisés, mettre hors circuit la machine à glaçons.
3. Débrancher le réfrigérateur.
4. Le nettoyer, le rincer à fond et l'essuyer.
5. À l'aide de ruban adhésif, fixer des blocs de caoutchouc ou de bois à la partie supérieure de chaque porte de façon à ce qu'elles soient suffisamment ouvertes pour permettre la circulation de l'air à l'intérieur, afin d'éviter l'accumulation d'odeurs ou de moisissure.

Pour remettre le réfrigérateur en marche, consulter la page 8.

### Courtes vacances

Il n'est pas nécessaire de débrancher le réfrigérateur pour une absence de moins de quatre semaines.

1. Consommer les aliments périssables.
2. Faire congeler les autres.
3. Si votre réfrigérateur est équipé d'une machine à glaçons :
  - Soulever le bras de commande et mettre hors circuit la machine à glaçons.
  - Fermer l'approvisionnement d'eau de la machine à glaçons.

### Déménagement

Lorsque vous déménagez le réfrigérateur à une domicile nouvelle :

1. Si votre réfrigérateur est équipé d'une machine à glaçons :
  - Fermer l'approvisionnement d'eau de la machine à glaçons au moins une journée à l'avance.
  - Débrancher la canalisation d'eau.
  - Une fois la glace épuisée, soulever le bras de commande et mettre hors circuit la machine à glaçons.
2. Retirer tous les aliments.
3. Emballer les aliments congelés dans de la neige carbonique.
4. Débrancher le réfrigérateur.
5. Le nettoyer à fond. Bien rincer et essuyer.
6. Retirer toutes les pièces amovibles, bien les envelopper et les attacher ensemble à l'aide de ruban adhésif pour qu'elles ne bougent ni ne s'entrechoquent.
7. Visser les roulettes de nivellement.
8. Fermer les portes à l'aide de ruban adhésif et fixer le cordon d'alimentation à la caisse.

Lorsque vous arriverez dans votre nouveau domicile, remettre tout en place et se référer à la page 6. Aussi, rebrancher l'approvisionnement d'eau à la machine à glaçons si votre réfrigérateur est équipé d'une machine à glaçons.

---

## Pannes de courant

En cas de panne de courant, téléphoner à la régie d'électricité pour s'enquérir de la durée de la panne.

1. Si le service doit être interrompu durant 24 heures ou moins, **garder fermées les deux portes**. Ceci permettra d'éviter que les aliments dégèlent.
2. Si le service doit être interrompu durant plus de 24 heures :

(a) Retirer tous les aliments congelés et les déposer dans un entrepôt frigorifique.

**OU**

- (b) Placer 907 g de neige carbonique par litre (2 lb par pied cube) d'espace de congélation. Cela permettra de garder les aliments congelés durant deux à quatre jours. Porter des gants pour se protéger les mains contre les morsures de la neige.

**OU**

- (c) S'il n'y a pas d'entrepôt frigorifique ni de neige carbonique, consommer ou mettre immédiatement en conserve les aliments périssables.

3. Un congélateur plein restera froid plus longtemps qu'un congélateur à moitié rempli. Un congélateur plein de viande restera froid plus longtemps qu'un congélateur rempli de pains et pâtisseries. Si les aliments contiennent des cristaux de glace, ils peuvent être remis à congeler sans danger même si leur qualité et saveur risquent d'être inférieures. Si les aliments semblent de piètre qualité ou douteux, les jeter.

# Conservation des aliments

Il existe une façon correcte d'emballer et de conserver des aliments au réfrigérateur et au congélateur. Si vous voulez que vos aliments restent plus frais plus longtemps, prenez le temps d'étudier les suggestions suivantes.

## Conservation des aliments frais

Les aliments placés au réfrigérateur doivent être enveloppés ou gardés dans un emballage hermétique et à l'épreuve de l'humidité. Cela empêche l'odeur et le goût des aliments de se répandre dans tout le réfrigérateur. Pour des produits datés, vérifier les dates indiquées pour s'assurer de la fraîcheur des aliments.

### Légumes à feuilles

Retirer l'emballage original et éliminer les taches ou zones décolorées. Laver à l'eau froide et égoutter. Placer dans un sac ou un contenant en plastique et ranger dans le bac à légumes.

### Légumes à pelure (carottes, poivrons)

Ranger dans le bac à légumes, un sac ou un contenant en plastique.

### Fruits

Laver, laisser sécher et mettre au réfrigérateur dans un sac en plastique ou le bac à légumes. Ne pas laver ni équeuter les petits fruits avant le moment de leur utilisation. Les trier et les conserver dans l'emballage du magasin, dans le bac à légumes, ou les conserver sur une clayette du réfrigérateur dans un sac en papier fermé sans être serré.

### Oeufs

Ranger sans laver dans le carton original, sur la clayette intérieure. Sur certains modèles, un contenant pour les oeufs est aussi fourni.

### Lait

Essuyer le contenant. Pour qu'il se conserve mieux, placer le lait sur la clayette intérieure.

### Beurre ou margarine

Garder le beurre entamé dans un beurrier muni d'un couvercle ou dans le compartiment utilitaire. Envelopper les quantités supplémentaires dans un emballage pour congélateur et les faire congeler.

### Fromage

Le conserver dans son emballage original jusqu'à l'emploi. Une fois le paquet ouvert, réemballer hermétiquement le fromage dans une pellicule plastique ou du papier d'aluminium.

### Restes

Couvrir les restes avec de la pellicule plastique ou du papier d'aluminium. Il est aussi convenable d'utiliser des contenants en plastique à couvercle hermétique.

### Viande

La plupart des viandes peuvent être conservées dans leur emballage original tant que cet emballage est hermétique et à l'épreuve de l'humidité. Emballer de nouveau si nécessaire. Voir le tableau suivant pour les périodes de conservation. Si la viande doit être conservée durant une période plus longue, suivre les instructions relatives à la congélation.

Poulet .....	1 à 2 jours	Bacon .....	5 à 7 jours
Boeuf haché .....	1 à 2 jours	Charcuteries .....	3 à 5 jours
Biftecks/ rôtis .....	3 à 5 jours	Abats .....	1 à 2 jours
Viandes salées .....	7 à 10 jours		

**REMARQUE :** Les poissons et fruits de mer frais devraient être consommés le jour même de l'achat.



---

## Conservation des aliments congelés

Le compartiment congélateur est conçu pour conserver les aliments surgelés en usine ou pour faire congeler de la nourriture.

**REMARQUE :** Pour d'autres renseignements au sujet de la préparation des aliments pour la congélation, consulter un guide de congélation ou un livre de cuisine.

### Emballage

Le secret de la congélation efficace réside dans l'emballage. Il doit être fermé et scellé de façon à prévenir la pénétration et l'évacuation d'air ou d'humidité. Toute autre méthode d'emballage risque d'entraîner la propagation de saveurs et d'odeurs dans tout le réfrigérateur et l'assèchement des aliments congelés.

#### Emballage recommandé :

- Conteneurs en polyéthylène (plastique) rigide munis de couvercles hermétiques
- Bocaux de conserve/congélation à bord droit
- Papier d'aluminium résistant
- Papier recouvert de plastique
- Emballages en plastique étanches (faits à partir d'une pellicule saran)

Suivre les instructions de l'emballage ou du contenant pour les méthodes de congélation correctes.

#### Ne pas utiliser :

- Emballages pour pain
- Conteneurs en plastique autres qu'en polyéthylène
- Conteneurs non munis d'un couvercle hermétique
- Papier paraffiné
- Emballages pour congélateur enduits de cire
- Emballages minces semi-perméables

Leur emploi risque de donner lieu à des transferts d'odeurs et de saveurs et à l'assèchement des aliments congelés.

### Congélation

Le congélateur ne congèle pas rapidement de grandes quantités d'aliments. Veiller à ce que la quantité d'aliments ne prenne pas plus de 24 heures à congeler (au plus 907 à 1360 g d'aliments par litre [2 à 3 livres par pied cube] d'espace). Laisser suffisamment d'espace pour permettre la circulation d'air entre les aliments. S'assurer aussi de laisser assez d'espace à l'avant pour que la porte ferme hermétiquement.

La période de conservation varie selon la qualité des aliments, le type d'emballage ou de pellicule utilisé (hermétique) et la température de conservation, qui devrait être de -17,8°C (0°F).

# Dépannage

Les problèmes de performance sont souvent dus à des petits détails que vous êtes en mesure de détecter et de régler vous-même sans outils d'aucune sorte. Avant de contacter le service de dépannage, veuillez lire ci-dessous la section "Avant de faire un appel de service ..."

## Avant de faire un appel de service ...

Le tableau ci-dessous présente une liste des problèmes auxquels les utilisateurs des appareils ménagers sont le plus souvent confrontés. Les solutions suggérées vous permettront peut-être de résoudre votre problème actuel.

PROBLÈME	VÉRIFIER LES POINTS SUIVANTS
<b>Le réfrigérateur ne fonctionne pas</b>	Le cordon d'alimentation est-il branché dans un circuit sous tension de voltage approprié? Un fusible a-t-il sauté ou le disjoncteur s'est-il déclenché? La commande du réfrigérateur est-elle à la position ARRÊT (OFF)?
<b>Les ampoules n'éclairent pas</b>	Le cordon d'alimentation est-il branché dans un circuit sous tension de voltage approprié? Un fusible a-t-il sauté ou le disjoncteur s'est-il déclenché? Une ampoule est-elle grillée?
<b>La machine à glaçons ne fonctionne pas</b>	Le congélateur est-il suffisamment froid? Permettre au congélateur d'atteindre la température correcte. Ceci peut prendre une nuit. Le levier de la machine à glaçons est-il en position MARCHE (ON) (en bas)? (Voir page 15.) La valve d'arrivée d'eau est-elle ouverte? La canalisation d'eau est-elle bouchée ou fuit-elle?
<b>Le réfrigérateur fait des bruits inhabituels</b>	Y a-t-il quelque chose sur ou derrière le réfrigérateur? Certains nouveaux bruits sont normaux. Consulter la section "Les bruits de l'appareil" à la page 20.
<b>Le plateau de dégivrage contient de l'eau</b>	Ceci est normal par temps chaud et humide. S'assurer que le plateau est de niveau de façon à ce qu'il ne déborde pas.
<b>Le moteur semble fonctionner trop souvent</b>	Les serpentins du condenseur sont-ils sales? La porte est-elle ouverte fréquemment? Une grande quantité d'aliments a-t-elle été ajoutée d'un coup? Le moteur fonctionne évidemment plus longtemps dans ces cas. La pièce est-elle chaude? Si la pièce est trop chaude, le moteur tourne plus longtemps pour conserver l'appareil froid.

# Appel d'aide ou de service

Avant de contacter le service de dépannage, veuillez voir "Dépannage" à la page 28. Cela pourrait vous économiser le coût d'un appel de service.

## 1. Si la cause du problème n'est pas indiquée dans la rubrique "Dépannage" :

- Appelez le Centre d'aide à la clientèle, sans frais :



**1-800-461-5681.**

Nos consultants vous renseigneront sur les sujets suivants :

– Caractéristiques et spécifications sur toute notre gamme d'appareils ménagers.

- Concessionnaires locaux.
- Méthodes d'utilisation et d'entretien.

## 2. Si vous avez besoin de services de dépannage :

Téléphoner sans frais à KitchenAid Canada :

**1-800-807-6777.**

- Procédures d'utilisation et d'entretien.
- Vente de pièces de rechange et accessoires.

**Les techniciens de service KitchenAid** ont reçu la formation qui leur permet d'effectuer les travaux de réparation sous garantie et le service après-vente sur les produits partout au Canada.

Vous pouvez également consulter l'annuaire téléphonique Pages jaunes pour identifier une entreprise de service agréée KitchenAid dans votre région.

## 3. Si vous devez écrire :

- Veuillez fournir le numéro de modèle, le numéro de série, la date d'achat et une description complète du problème. Adressez toute la correspondance à :

Service à la clientèle  
KitchenAid Canada  
1901 Minnesota Court  
Mississauga, Ontario  
L5N 3A7

Veuillez indiquer dans votre correspondance un numéro de téléphone où on peut vous joindre pendant la journée.

# KitchenAid\*

## Garantie du réfrigérateur amovible

DURÉE DE LA GARANTIE :	KITCHENAID PAIERA :	KITCHENAID NE PAIERA PAS :
<b>GARANTIE TOTALE D'UN AN À COMPTER DE LA DATE D'ACHAT</b>	Pièces de rechange et main-d'oeuvre pour corriger les défauts de matériaux ou de fabrication. Les travaux doivent être effectués par un service de réparations autorisé par KitchenAid.	<b>A.</b> Les demandes de service pour : 1. Rectifier l'installation du réfrigérateur. 2. Vous montrer comment vous servir du réfrigérateur. 3. Remplacer des fusibles ou rectifier le câblage électrique du domicile. 4. Rectifier la plomberie du domicile.
<b>GARANTIE TOTALE DE LA DEUXIÈME À LA CINQUIÈME ANNÉE À COMPTER DE LA DATE D'ACHAT</b>	Remplacement ou réparation du revêtement intérieur du réfrigérateur/congélateur si la pièce se fend par suite d'un défaut de matériaux ou de main-d'oeuvre. Les travaux doivent être effectués par un service de réparations autorisé par KitchenAid.  Les pièces de rechange et de main-d'oeuvre pour rectifier les défauts de matériaux ou de fabrication du système scellé de réfrigération. Ces pièces sont : 1. Le compresseur; 2. L'évaporateur; 3. Le condenseur; 4. Le déshydrateur; 5. Les tuyaux de raccordement.  Les travaux doivent être effectués par un service de réparations autorisé par KitchenAid.	<b>B.</b> Les réparations lorsque le réfrigérateur est utilisé à des fins autres qu'un usage ménager normal. <b>C.</b> Des dommages causés par un accident, des modifications, un mauvais usage, un abus, une installation inappropriée ou une installation non conforme aux règles locales en matière d'électricité ou de plomberie. <b>D.</b> La perte d'aliments due à une panne de l'appareil. <b>E.</b> Tous frais de main-d'oeuvre pendant les garanties limitées. <b>F.</b> Le coût des pièces de rechange et de la main-d'oeuvre pour les appareils utilisés en dehors du Canada. <b>G.</b> L'enlèvement et la livraison. Cet appareil est conçu pour être réparé à domicile. <b>H.</b> Les réparations des pièces ou systèmes résultant de modifications inappropriées apportées à l'appareil.
<b>GARANTIE LIMITÉE DE LA SIXIÈME À LA DIXIÈME ANNÉE À COMPTER DE LA DATE D'ACHAT</b>	Les pièces de rechange pour rectifier les défauts de matériaux ou de fabrication du système scellé de réfrigération. Ces pièces sont : 1. Le compresseur; 2. L'évaporateur; 3. Le condenseur; 4. Le déshydrateur; 5. Les tuyaux de raccordement.	
<b>GARANTIE TOTALE LIMITÉE DE LA DEUXIÈME ANNÉE PENDANT LA VIE DU PRODUIT À COMPTER DE LA DATE D'ACHAT</b>	Les pièces de rechange de tous les balconnets et distributeurs de cannettes SLIDE 'N' LOCK* par suite d'un défaut de matériaux ou de main-d'oeuvre.	

3/96

### KITCHENAID CANADA N'ASSUME PAS DE RESPONSABILITÉ POUR LES DOMMAGES FORTUITS OU INDIRECTS.

Cette garantie vous donne des droits légaux spécifiques et vous avez peut-être d'autres droits qui varient d'une province à l'autre.

KitchenAid Canada  
Mississauga, Ontario L5N 3A7