

KitchenAid®
HOME APPLIANCES

Installation Instructions

Part No. 9741194

International Series Undercounter Dishwasher

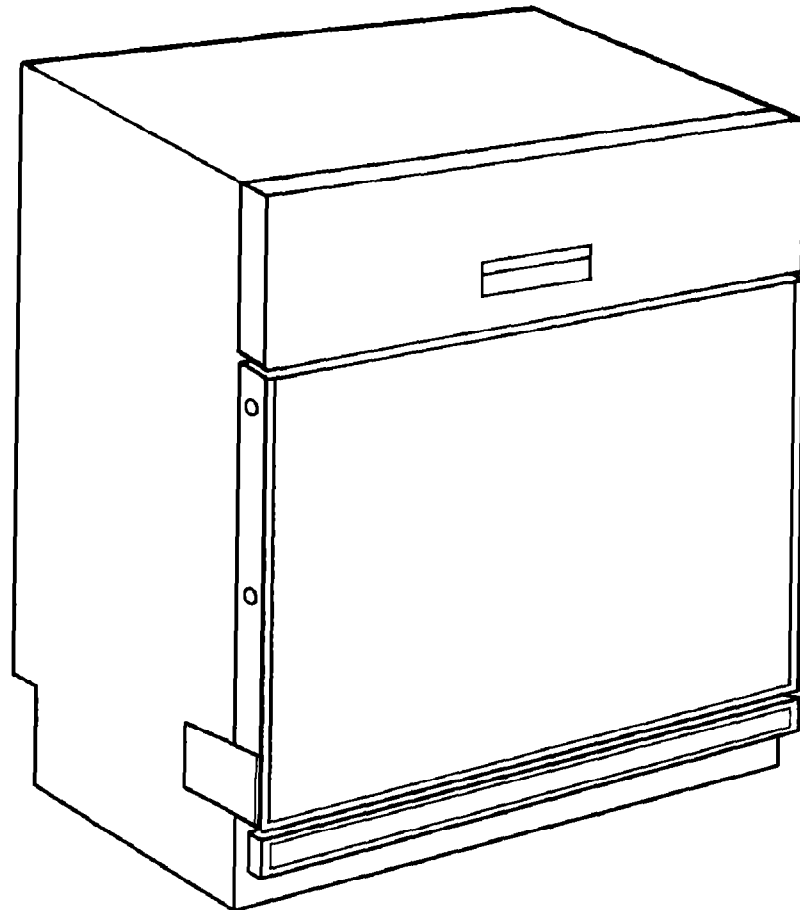
IMPORTANT:
Read and save
these instructions.

IMPORTANT:

Installer: Leave Installation Instructions with the homeowner.

Homeowner: Keep Installation Instructions for future reference.

Save Installation Instructions for local electrical inspector's use.



Before you start...

Proper installation is your responsibility. Make sure you have everything necessary for correct installation. It is the personal responsibility and obligation of the customer to contact a qualified installer to assure that the electrical and plumbing installations meet national and all local codes and ordinances.

Electrical ground is required. See "Electrical requirements."

Proper electrical, drain and water supply lines must be available or must be installed as specified. Read and follow "Electrical requirements," "Water requirements," and "Drain requirements" before installing dishwasher.

Cut openings for water supply line, drain hose and power supply cord within shaded area to prevent interference with dishwasher cabinet. It is recommended that the electrical, drain and water supply line openings be located as close to the rear wall as possible.

European Conversion Kit, Part Number 9741416 (black) or 9741413 (white), is available from your dealer. This kit includes parts to convert the lower panel to the flush, built-in look required with European cabinets.

Check location where dishwasher will be installed. Location must provide:

- Easy access to water, electrical and drainage lines.
- Convenient loading — the best position is to the right or left of a sink.
- Opening that is square for proper dishwasher operation and appearance.
- Cabinet front that is perpendicular to floor.
- Protection so that water inlet valve and drain cannot freeze.

For installations where dishwasher will be left unused and subjected to freezing temperatures, see "Winterizing" section of Use and Care Guide.

Important: Observe all governing codes and ordinances.

! WARNING

Personal Injury/Product Damage Hazard

Avoid opening dishwasher door before dishwasher is installed. Opening the door before the dishwasher is installed may cause the dishwasher to tip over, resulting in personal injury or product damage.

Electrical Shock Hazard

- Do Not pinch power supply cord between dishwasher and cabinet.
- Cabinet opening must completely enclose sides, top and back of dishwasher.

Failure to follow these instructions could result in electrical shock.

Fire Hazard

Do Not install dishwasher over carpeted flooring. Failure to follow this instruction could result in a fire.

! CAUTION

Product Damage

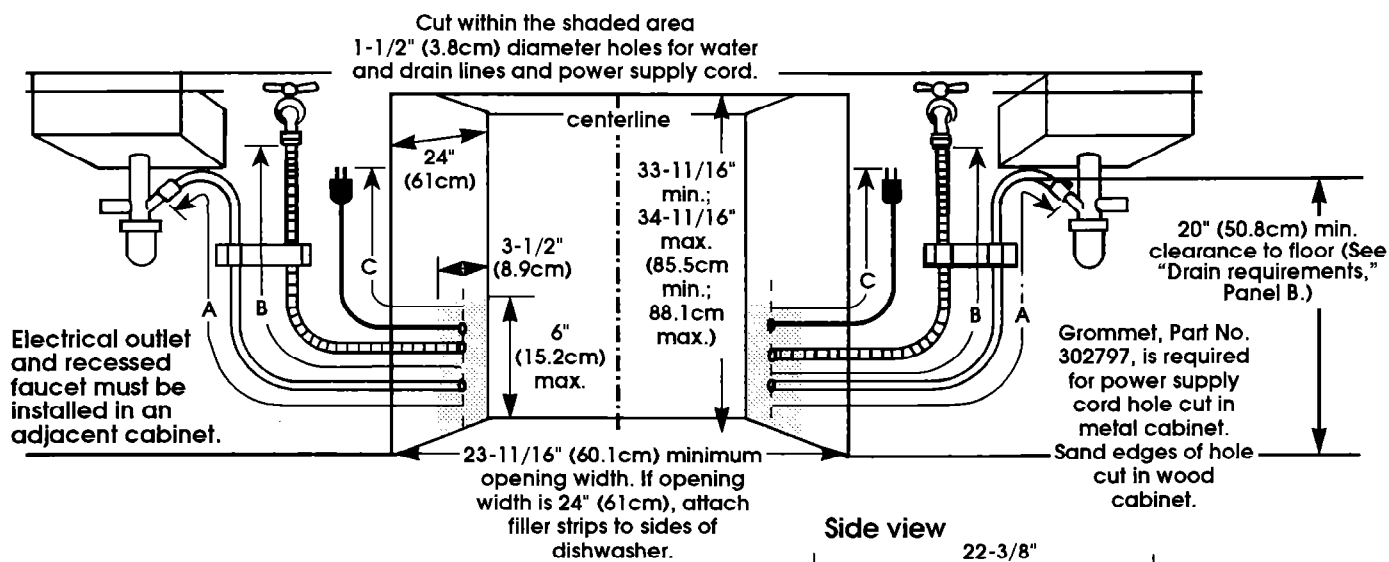
Protect dishwasher and water lines leading to dishwasher against freezing.

Failure to do so could cause inlet valve, water lines, and drain hose to rupture. Such ruptures are not covered by the warranty.

Two people are needed to lift and safely install the dishwasher. Failure to do so could result in product damage.

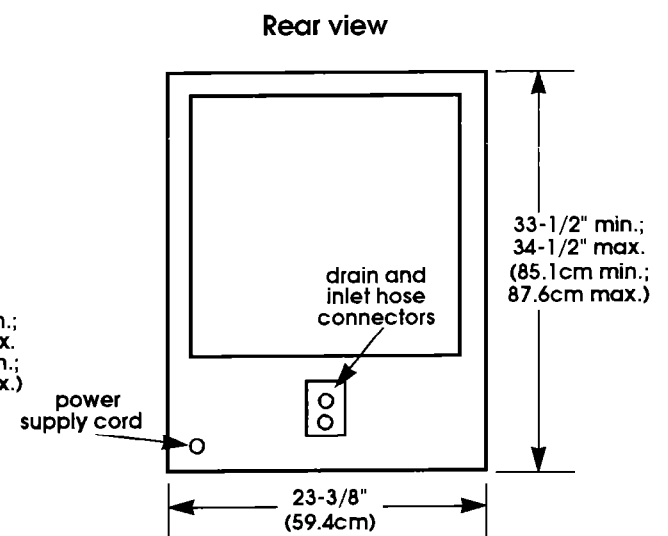
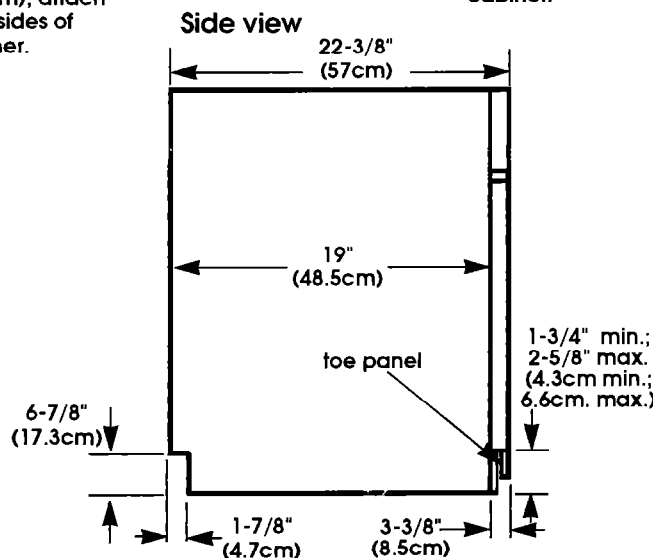
Floor Damage

Keep shipping base under dishwasher or slide dishwasher onto cardboard or hardboard before moving across the floor. Failure to do so may cause damage to floor covering.



	Left side	Right side
A	66" (1.7m)	66" (1.7m)
B	59" (1.5m)	59" (1.5m)
C	28" (0.7m)	44" (1.1m)

Fill hose has garden-hose type coupling and an adapter has been supplied to attach to faucet or water supply line.

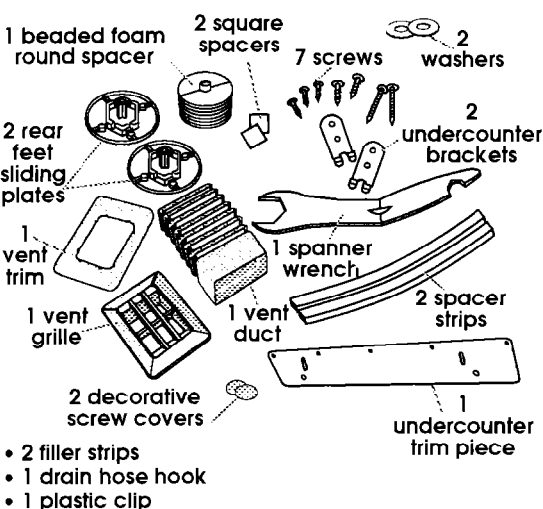


Tools and materials required for installation:

- 1-1/2" (3.8cm) drill bit or hole saw
- 1/8" (3mm) drill bit
- electric drill
- Phillips screwdriver
- level
- adjustable wrench
- pencil
- utility knife
- moisture-resistant sealer
- measuring tape
- grommet (metal cabinets)
- file
- saw
- tape
- gloves
- 3/8" N.P.T. hose adapter (if needed for your type of installation)

Parts supplied for installation:

Remove parts from parts package. Check that all parts were included.



Panel A

Parts that must be custom made:

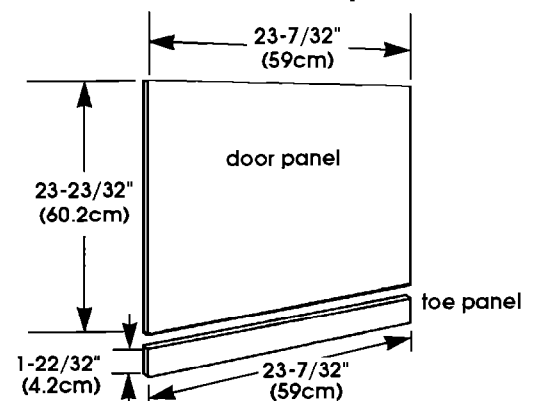
! CAUTION

Product Damage
Maximum door panel weight is 4 pounds (1.8kg).
Installation of a heavier door panel will result in product damage.

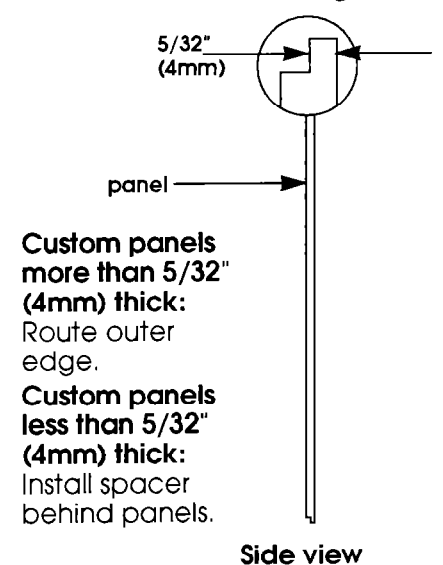
Dishwasher door and toe panels can be customized to match wood cabinets. It is recommended that a cabinetmaker cut the customized front panel pieces because of the precise dimensions needed.

- Cut wood panels so that wood grain matches direction of grain in cabinets.
- File or sand edges of wood panels.
- Apply moisture-resistant sealer on all sides of wood panels.

Dimensions for custom panel



Dimensions for routing panel edges



Side view

Electrical requirements

! WARNING

Electrical Shock Hazard

- Electrical ground is required on this appliance.
- If cold water pipe is interrupted by plastic, non-metallic gaskets or other insulating materials, Do Not use for grounding.
- Do Not ground to a gas supply pipe.
- Do Not modify the power supply cord plug. If it does not fit the outlet, have a proper outlet installed by a qualified electrician.
- Do Not have a fuse in the neutral or grounding circuit. A fuse in the neutral or grounding circuit could result in an electrical shock.
- Do Not use an extension cord with this appliance.
- Check with a qualified electrician if you are in doubt as to whether this appliance is properly grounded.

It is the customer's responsibility to:

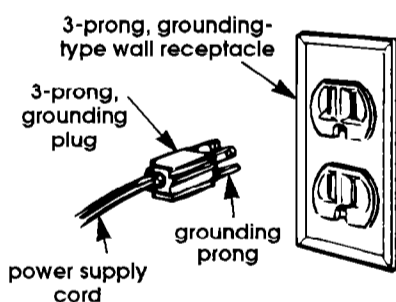
- Contact a qualified electrical installer.
- Assure that the electrical supply is adequate and in conformance with the National Electrical Code, ANSI/NFPA 70 — latest edition*, and all local codes and ordinances.

Failure to follow these instructions could result in a fire, electrical shock, or other personal injury.

If codes permit and a separate grounding wire is used, it is recommended that a qualified electrician determine that the grounding path is adequate.

A 120-volt, 60-Hz, AC-only, 15- or 20-ampere, fused electrical supply is required. Time-delay fuse or circuit breaker is recommended. It is recommended that a separate circuit serving only this appliance be provided.

Recommended grounding method



For your personal safety, this appliance must be grounded. This appliance is equipped with a power supply cord having a three-prong grounding plug. To minimize possible shock hazard, the cord must be plugged into a mating three-prong, grounding-type wall receptacle grounded in accordance with National Electrical Code 70 — latest edition* and all local ordinances. If a mating wall receptacle is not available, it is the personal obligation of the customer to have a properly grounded 3-prong wall receptacle installed by a qualified electrician.

Copies of the standard listed may be obtained from:

* National Fire Protection Association
Batterymarch Park
Quincy, Massachusetts 02269

If power supply cord cannot be used...

When local codes do not permit the use of a power supply cord with an undercounter dishwasher, the power supply cord must be removed and the dishwasher wired directly. To directly wire the dishwasher, order hardwire kit Part No. 675714. Electrical connections must be contained within the terminal box and meet all local codes and ordinances.

IF POWER SUPPLY CORD IS REMOVED, DISHWASHER MUST BE CONNECTED WITH COPPER WIRE ONLY.

Water supply requirements

Recessed hot water faucet must be located in an adjacent cabinet within 59" (1.5m) of the dishwasher. Hot water line must provide 15-120 psi water pressure.

For best results, the hot water heater should be set to deliver 120°F (49°C) minimum temperature water.

Before attaching water inlet hose, run water through hot water faucet into a bucket. This will get rid of particles in the water lines that may clog hose.

Drain requirements

! CAUTION

Product Damage

- Drain hose connection to house plumbing must be 20" (50.8cm) above floor; or drain hose must form a loop 20" (50.8cm) above floor before drain hose connects to house plumbing.
 - Drain hose entry must be above trap.
 - Do Not kink drain hose.
 - Ten feet (3m) is the maximum length of the drain hose.
- Failure to follow these instructions could result in poor drainage or damage to the product.

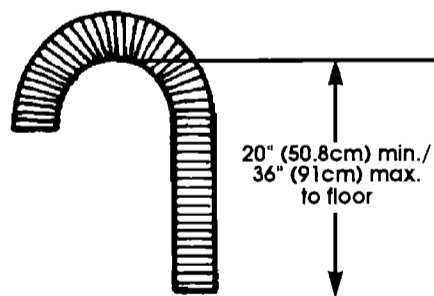
Important:

Remove disposer inlet plug before connecting drain hose.

Note: Most disposers have 7/8" (2.2cm) connectors; or special connectors are available from plumbing supply houses.

Use new drain hose that came with your dishwasher. Drain hose supplied meets AHAM DW-1 test standards.

Cut a 1-1/2" (3.8cm) hole in cabinet wall for drain hose.

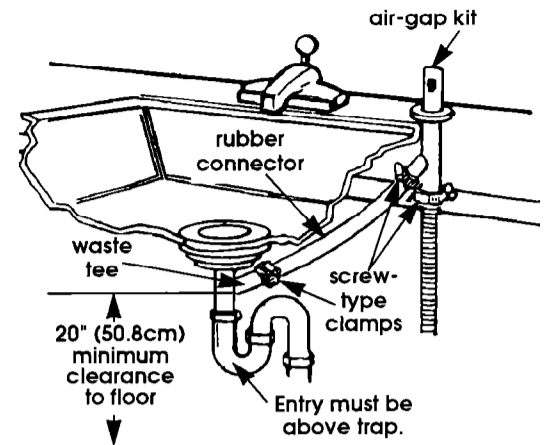


If drain hose connection is at a point less than 20" (50.8cm) above floor, an air gap MUST be used in the high drain loop. Air gap kit, Part No. 300096, is available through your KitchenAid parts dealer. Install air gap according to kit instructions.

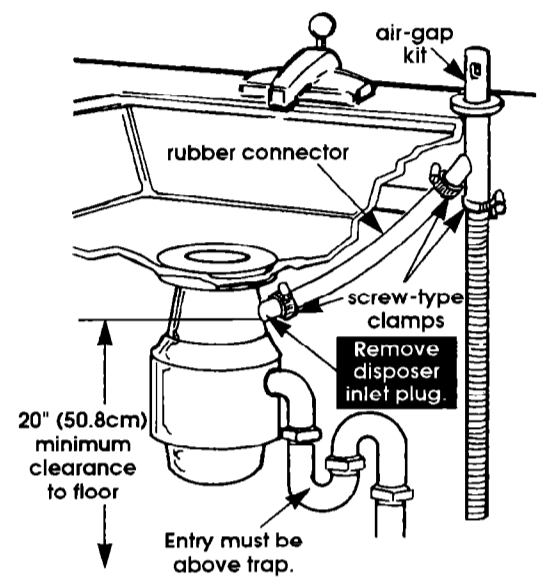
Recommended drain hose connection methods:

Connect air gap to a waste tee or waste disposer using a rubber connector. Do Not cut drain hose.

Drain hose to air gap to waste tee.



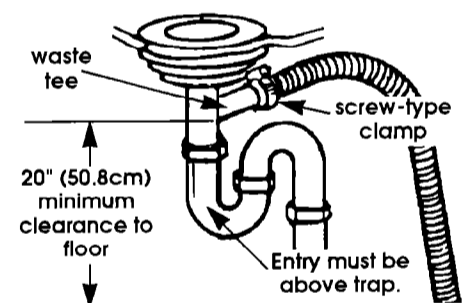
Drain hose to air gap to waste disposer.



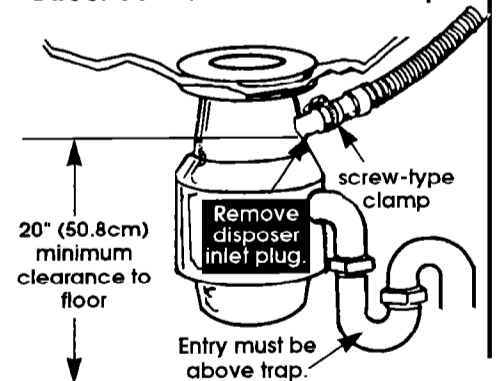
Alternate drain hose connection methods:

If local plumbing codes permit, dishwasher drain line may be connected directly to waste tee or waste disposer. Do Not cut drain hose.

Direct connection to waste tee.



Direct connection to waste disposer.



Now start...

With dishwasher in kitchen.

! WARNING

Electrical Shock Hazard

Disconnect electrical power at fuse or circuit breaker box before installing dishwasher. Failure to do so could result in serious injury or death.

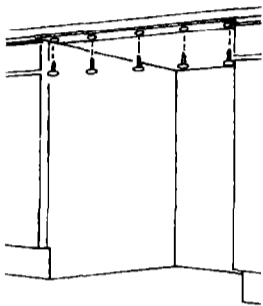
! CAUTION

Floor Damage

Keep cardboard shipping base under dishwasher or slide dishwasher onto cardboard or hardboard before moving it across the floor. Failure to do so may cause damage to floor covering.

1. Remove undercounter trim piece attached to top of dishwasher. Remove 2 spacer strips taped to side of dishwasher.

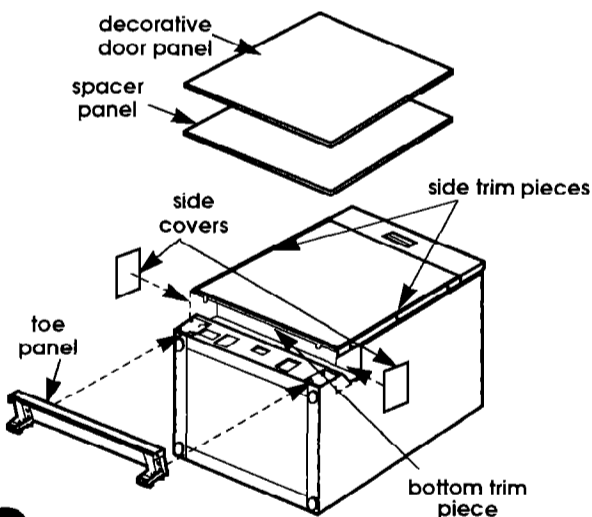
2. Attach undercounter trim piece to underside of countertop using five screws from parts bag.



! WARNING

Personal Injury/Property Damage Hazard

Wear gloves and handle trim pieces and door panels carefully. Sharp edges may cause personal injury or damage to other materials.

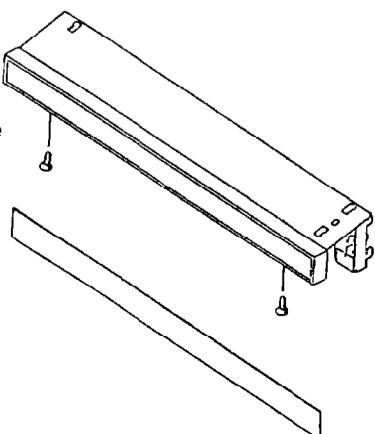


3. Move fill and drain hoses to right or left, then carefully set dishwasher on its back.

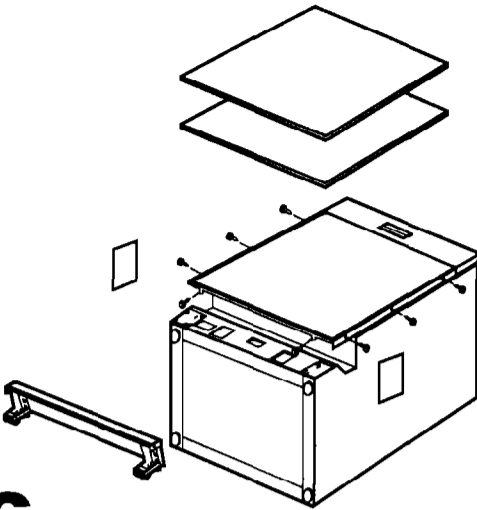
If decorative door and toe panels supplied with dishwasher will be used, go to Step 8.

If custom panels will be used, remove side covers. Pull toe panel toward you to remove. Remove screws attaching side and bottom trim pieces to dishwasher. Remove trim pieces. Carefully remove decorative door and spacer panels.

4. Loosen screws on each side of toe panel. Remove bottom trim of toe panel and carefully remove decorative toe panel.

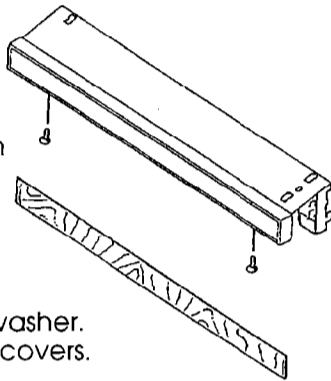


5. Cut custom panels to dimensions specified on Panel A. Smooth any rough edges. Apply moisture-resistant sealer to all sides of panels.

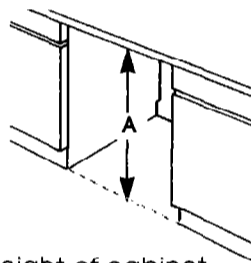


6. Carefully slide door and spacer panels into position. Attach side and bottom trim pieces to door. Check that door and spacer panels are held tightly in place.

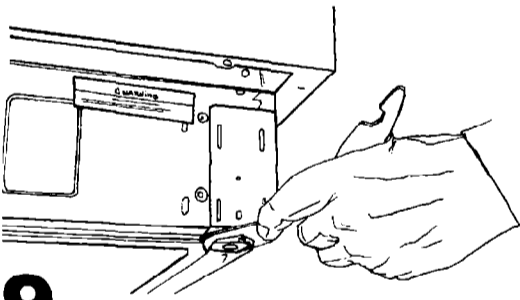
7. Slide custom panel into toe panel. Attach bottom toe panel trim and tighten screws on side of toe panel. Reinstall toe panel on dishwasher. Reattach side covers.



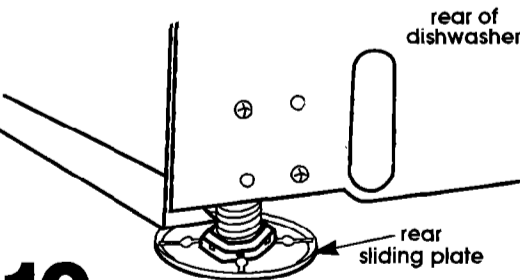
A = height from lowest point of underside of countertop to floor.



8. Measure height of cabinet opening from lowest point of underside of countertop to floor.



9. Use spanner wrench to adjust leveling legs until dishwasher will fit opening height.



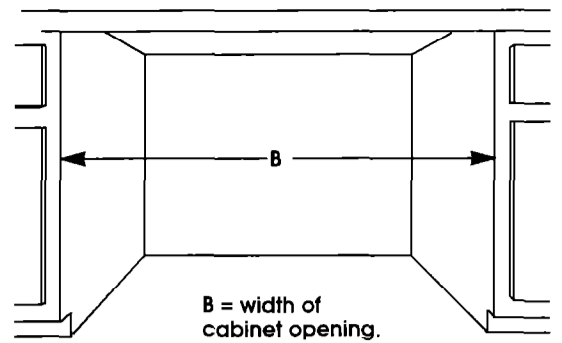
10. Attach rear sliding plates to rear legs.

! CAUTION

Product damage

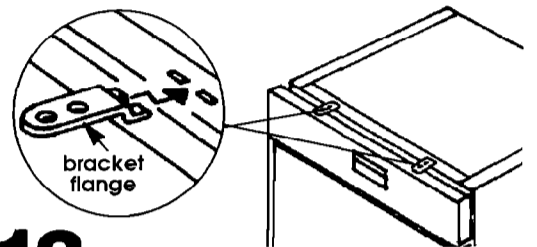
Two people are required to lift dishwasher and set it upright on leveling legs. Failure to do so could result in product damage.

11. Carefully lift dishwasher and set it upright on the leveling legs, being careful not to break the leveling legs.

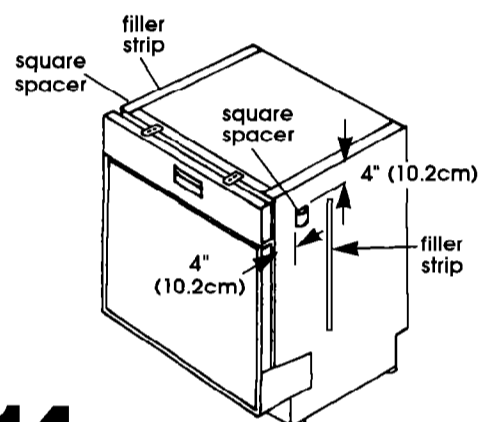


B = width of cabinet opening.

12. Measure width of cabinet opening. If opening width is 23-11/16" (60.1cm), go to Step 13. If opening width is greater than 23-11/16" (60.1cm), attach filler strips to sides of dishwasher.

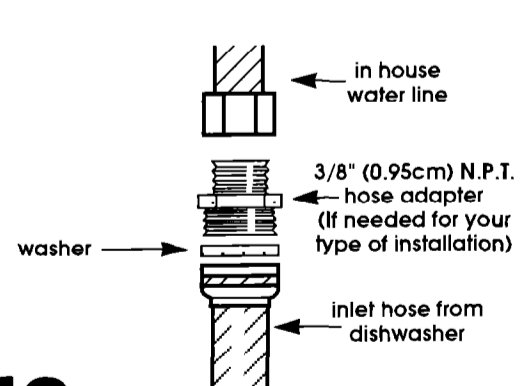


13. Insert tabs on undercounter brackets into slots in top of dishwasher frame. Bracket flange should face front of dishwasher.

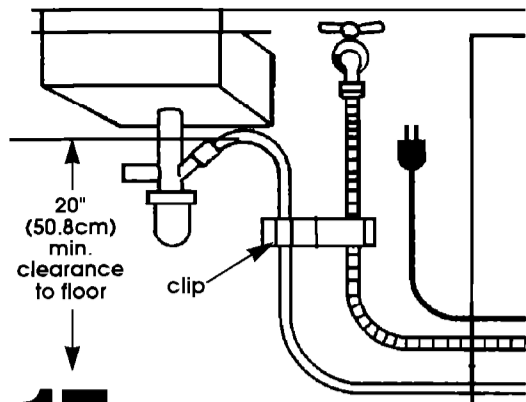


14. Remove adhesive backing from one square spacer. Attach square spacer to right side of dishwasher, 4 inches (10.2cm) from top and 4 inches (10.2cm) in from front edge of dishwasher frame. Repeat with other square spacer on left side of dishwasher. Remove adhesive backing from spacer strips. Then attach spacer strips to left and right side of dishwasher.

15. Check that drain hose and water inlet hose are connected tightly to dishwasher. Move dishwasher close to final position. Route drain hose, water inlet hose and power supply cord through holes in cabinet.



16. Attach water inlet hose by hand to hot water faucet. (An adapter may be needed.) Use pliers to make an additional two-thirds turn.



17. Connect drain hose to drain. See "Drain requirements." Check for good fit. Check that drain hose is not kinked or twisted. Secure drain hose to water line using plastic clip.

18. Plug power supply cord into grounded electrical outlet. Turn on electrical and water supplies. If unit is wired directly to house wiring, follow instructions in hardwire kit Part No. 675714. See "If power supply cord cannot be used..." Panel B.

19. Carefully open dishwasher door and remove all shipping materials, including foam shipping pieces from upper corners of door. Do Not remove white plastic plug buttons from side of door or plastic bumpers from front corners of lower rack. Close dishwasher door.

20. Take a few minutes to read the Use and Care Guide to fully understand your new dishwasher.

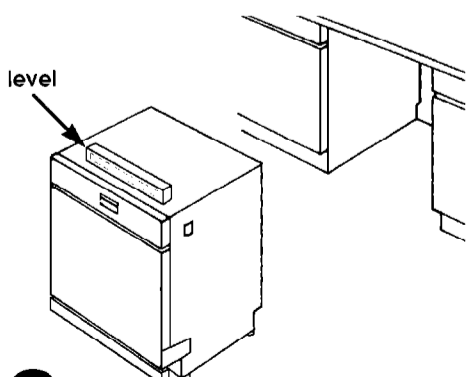
WARNING

Personal Injury Hazard

Open dishwasher door slowly when checking operation while dishwasher is running. Hot water may spray out. Failure to do so could cause personal injury.

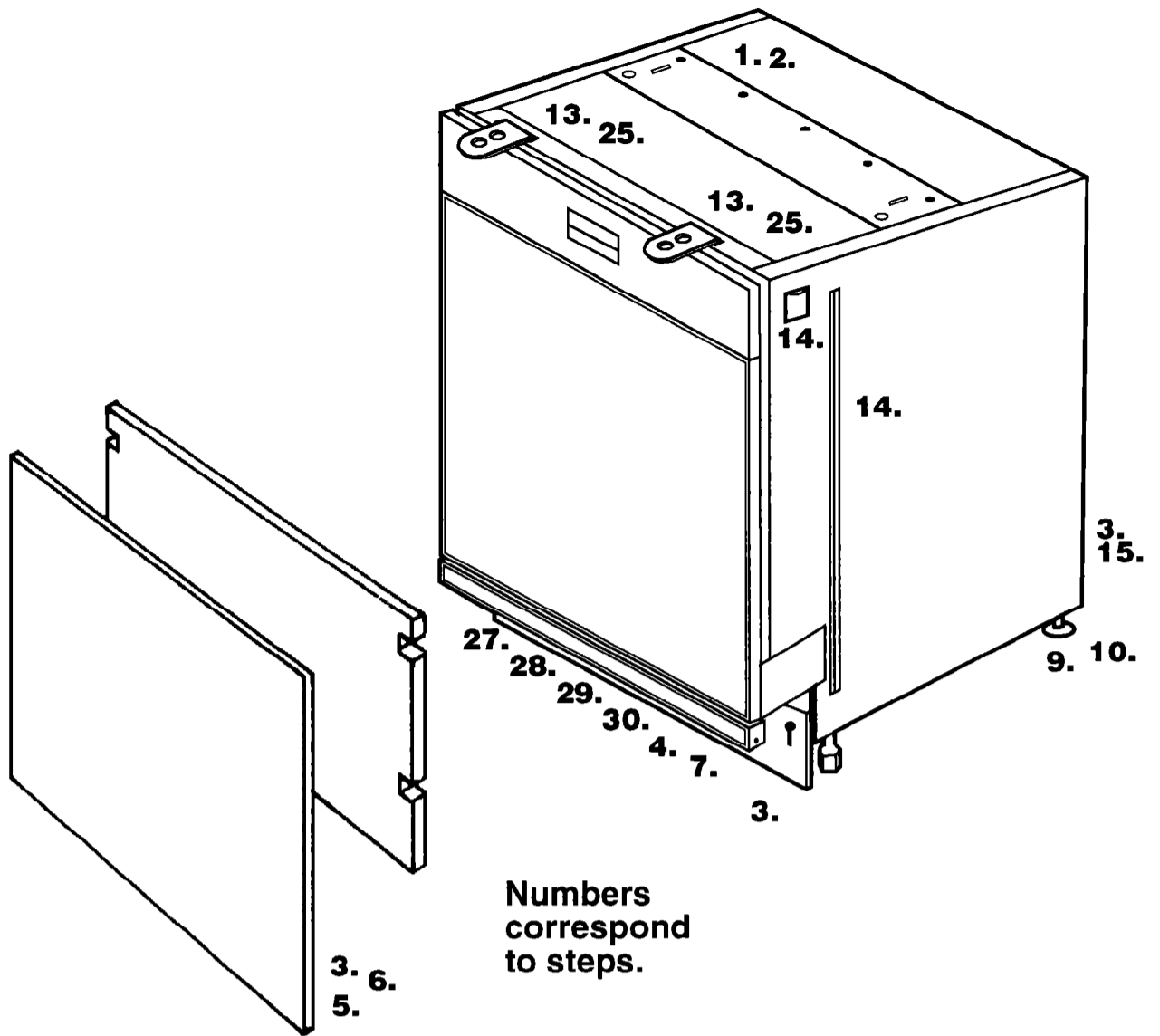
21. Start the Normal wash cycle. Allow it to run 10 minutes. Check that dishwasher is working properly and that there are no leaks. Slowly open dishwasher door to stop cycle. Check that water inside dishwasher is warm. Close dishwasher door. Push and release the RINSE/HOLD button to cancel cycle. When the monitor appears black and the indicator light goes out, push the POWER OFF button. Open dishwasher door and check for proper draining.

22. Latch dishwasher door shut. Remove shipping base, cardboard or hardboard from under dishwasher. Slide dishwasher into cabinet opening by pushing on console and access panel. Do Not push on dishwasher door panel. Center dishwasher in opening. Check that front leveling legs are firmly against floor.

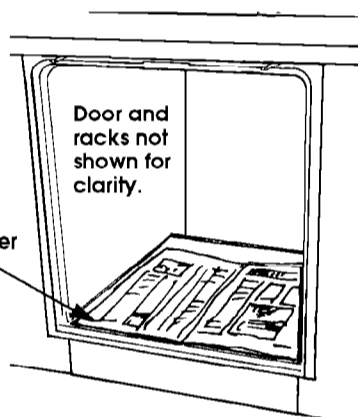


23. Check that dishwasher is level and that there is not a gap between the top of the dishwasher and the underside of the countertop. If necessary, adjust leveling legs with spanner wrench until dishwasher is level and no gap exists.

Panel D



Numbers correspond to steps.



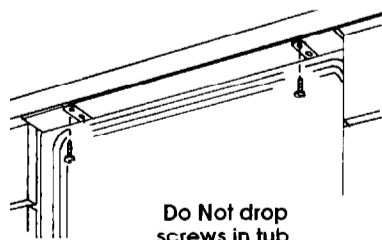
24. Open dishwasher door and remove bottom rack. Place a newspaper or large sheet of paper over bottom of dishwasher to protect pump area.

WARNING

Personal Injury/Product Damage Hazard

- The dishwasher must be secured to the countertop to keep it from tilting when the door is open.
- Do Not drop screws in dishwasher tub. If screws should fall into pump, pump and motor damage may occur.

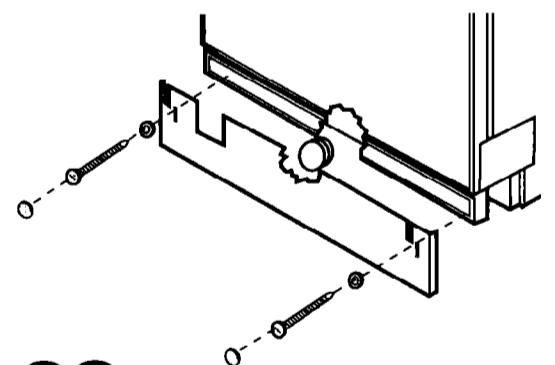
Failure to follow these instructions may result in personal injury or product damage.



25. Using a 1/8" (3mm) drill bit, drill 3/4" (1.9cm) deep starter holes through bracket holes into underside of countertop. Do Not exceed 3/4" (1.9cm) depth. Attach brackets to underside of countertop using screws from parts bag. Make sure screw heads do Not interfere with door. Open dishwasher door approximately 3" (7.6cm) and check for equal spacing between inner door and tub sides. If space is unequal, loosen screws fastening dishwasher to countertop and shift tub. Tighten screws.

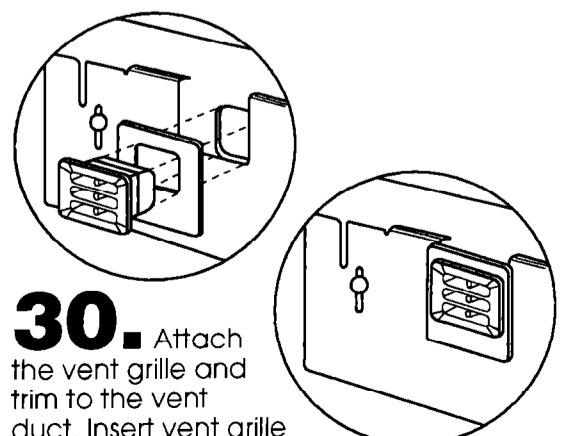
26. Check that screws have not fallen into dishwasher tub. Remove newspaper protecting pump. Reinstall dishwasher rack.

27. Attach the round foam spacer to dishwasher.



28. Attach toe kick panel to dishwasher using two screws and washers. Push decorative screw covers on ends of screws.

29. Cut vent duct to 1-9/16" (4 cm) along indented area.



30. Attach the vent grille and trim to the vent duct. Insert vent grille duct and trim into vent opening in toe kick.

31. Check that all parts have been installed and no steps were skipped.

To get the most efficient use from your new dishwasher, read your Use and Care Guide. Keep Installation Instructions and Guide close to dishwasher for easy reference.

If dishwasher does not operate...

Check that:

- The circuit breaker is not tripped or the house fuse blown.
- Dishwasher door is closed tightly and latched securely.
- Dishwasher racks are in place.
- Dishwasher cycle has been set correctly.
- Water has been turned on.
- Electrical power has not been interrupted.

If you need assistance...

The KitchenAid Consumer Assistance Center will answer any questions about operating or maintaining your dishwasher not covered in the Installation Instructions. The KitchenAid Consumer Assistance Center is open 24 hours a day, 7 days a week. Just dial 1-800-422-1230 — the call is free.

When you call, you will need the dishwasher model number and serial number. Both numbers can be found on the serial/rating plate located on the inner right-hand side of the door.

If you need service...

In the event that your KitchenAid dishwasher should need service, call the dealer from whom you purchased the appliance or a KitchenAid-authorized service company. You can also obtain the service company's name and telephone number by dialing, free, within the continental United States, the KitchenAid Consumer Assistance Center telephone number, 1-800-422-1230. A special operator will tell you the name and number of your nearest KitchenAid-authorized service company.

Maintain the quality built into your KitchenAid appliance — call a KitchenAid-authorized service company.

KitchenAid[®]
HOME APPLIANCES

Part No. 9741194
© 1993 KitchenAid
® Registered Trademark of KitchenAid, U.S.A.

Prepared by KitchenAid, St. Joseph, Michigan 49085 U.S.A.



Printed
10% recycled paper
50% recycled paper