

KitchenAid® Installation Instructions

Part No. 3147388 Rev. A

30" Electric Glass Ceramic Drop-In Range with Self-Cleaning Oven

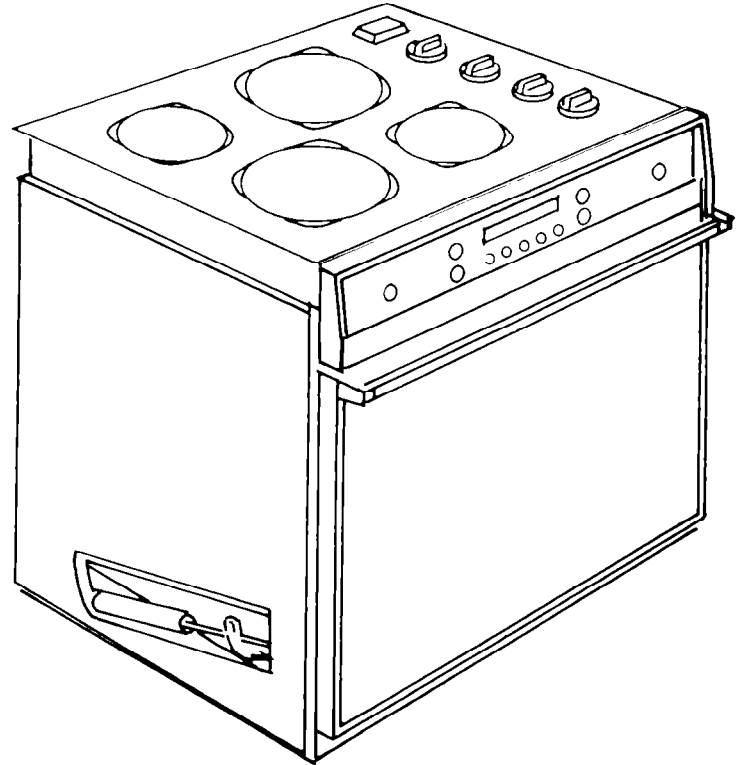
IMPORTANT:
Read and save
these instructions.

IMPORTANT:

Installer: Leave Installation Instructions with the homeowner.

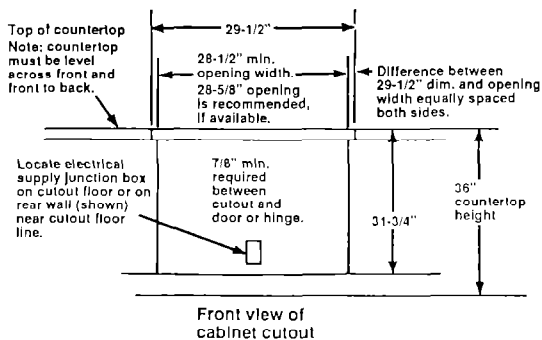
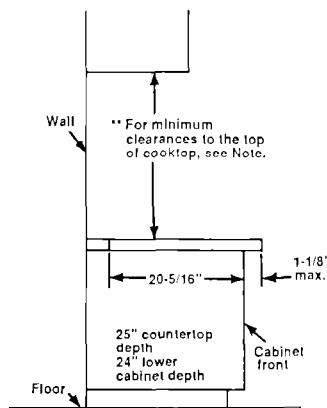
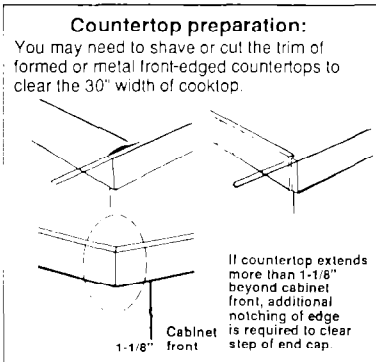
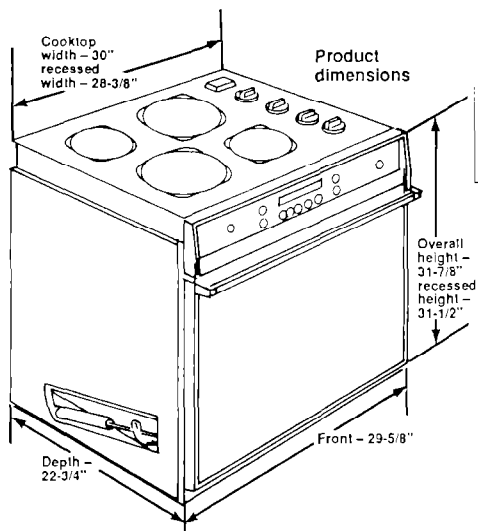
Homeowner: Keep Installation Instructions for future reference.

Save Installation Instructions for local electrical inspector's use.



Important: Observe all governing codes and ordinances.

Grounded electrical outlet is required. See Electrical requirements.



Before you start...

Read the Electrical and Carpentry instructions.

Proper installation is your responsibility. A qualified technician should install this range. Make sure you have everything necessary for correct installation. It is the customer's responsibility to make sure that the countertop has been properly prepared, and to contact a qualified electrical installer to assure that the electrical installation is correct.

WARNING

Personal Injury Hazard

Cabinet storage above the cooking surface should be avoided. If cabinets are already installed, reduce the hazard of reaching over a heated cooking surface by installing a range hood.

The range hood should extend a minimum of 5 inches out from the bottom front of the cabinets.

Reaching over a heated cooking surface could result in a serious burn.

Electrical Shock Hazard

It is the customer's responsibility:

- To contact a qualified electrical installer.
- To assure that the electrical installation is adequate and in conformance with National Electrical Code, ANSI/NFPA 70 - latest edition*, and all local codes and ordinances.

Failure to do so could result in fire, electrical shock or other personal injury.

Mobile home installation

The installation of this range must conform to the Manufactured Home Construction and Safety Standards, Title 24 CFR, Part 3280 (formerly the Federal Standard for Mobile Home Construction and Safety, Title 24, HUD Part 280) or when such standard is not applicable, the Standard for Manufactured Home Sites, Communities and Setups, ANSI A225.1-1987, or latest edition, or with local codes.

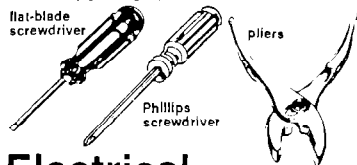
When this range is installed in a mobile home, it must be secured to the floor during transit. Any method of securing the range is adequate as long as it conforms to the standards listed above.

Four-wire power supply cable must be used in a mobile home installation. The appliance wiring will need to be revised. See Electrical requirements, Figure 3, Panel B.

Copies of the standards listed may be obtained from:

* National Fire Protection Association
Battery March Park
Quincy, Massachusetts 02269

Tools needed for installation:



Electrical requirements

WARNING

Electrical Shock Hazard

- Electrical ground is required on this appliance.
- If cold water pipe is interrupted by plastic, non-metallic gaskets, or other insulating materials, Do Not use for grounding.
- Do Not ground to a gas pipe.
- Do Not have a fuse in the neutral or grounding circuit. A fuse in the neutral or grounding circuit could result in electrical shock.
- Check with a qualified electrician if you are in doubt as to whether the appliance is properly grounded.

Failure to follow these instructions could result in serious injury or death.

If codes permit and a separate grounding wire is used, it is recommended that a qualified electrician determine that the grounding path is adequate.

IMPORTANT:
Save Installation Instructions for the local electrical inspector's use.

A. A three-wire or a four-wire single phase, 120/240 volt, 60 Hz, AC only, electrical supply (or three-wire or four-wire 120/208 volt if specified on serial plate) is required on a separate circuit, fused on both sides of the line. Do Not fuse the neutral. A time-delay fuse or circuit breaker is recommended. The fuse size must not exceed the circuit rating of the appliance specified on the serial/rating plate which is located on frame behind oven door.

B. THE RANGE MUST BE CONNECTED WITH COPPER WIRE ONLY.

C. Wire sizes and connections must conform to the requirements of the National Electrical Code, ANSI/NFPA 70-latest edition* and all local codes and ordinances for the kilowatt rating of the range.

D. This appliance should be connected to the fused-disconnect (or circuit breaker) box through flexible, armored or nonmetallic sheathed, copper cable (with grounding wire). The flexible armored cable extending from the appliance should be connected directly to the junction box.

E. Locate the junction box to allow as much slack as possible between the junction box and the appliance so that the range can be moved if servicing is ever necessary. Do not cut conduit.

F. A U L-listed conduit connector must be provided at the junction box

G. The wiring diagram is located in the Tech Sheet. The Tech Sheet is located behind the lower air grille.

Electrical connection

⚠ WARNING

Electrical Shock Hazard

- Electrical ground is required on this appliance.
 - Do Not connect to the electrical supply until appliance is permanently grounded.
 - Disconnect power to the junction box before making the electrical connection.
 - This appliance must be connected to a grounded, metallic, permanent wiring system, or a grounding connector should be connected to the grounding terminal or wire lead on the appliance.
- Failure to do so could result in a fire, personal injury or electrical shock.

This appliance is manufactured with white neutral supply wire and a cabinet-connected, green, grounding wire twisted together.

Connect the appliance cable to the junction box through the U.L.- listed conduit connector. Complete electrical connection according to local codes and ordinances.

C. If connecting to a four-wire, electrical system... DO NOT connect the cabinet-grounding conductor to the neutral (white), junction box wire.

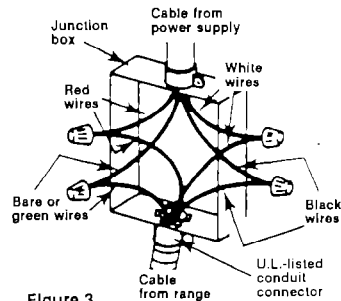


Figure 3

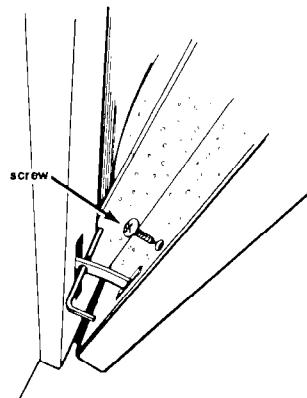
1. Turn power supply off.
2. Separate the green and white appliance cable wires.
3. Connect the white appliance cable wire to the neutral (white) wire in the junction box.
4. Connect the two black wires together, then the two red wires together. See Figure 3.
5. Connect the green grounding wire to the green, grounding wire in the junction box.

Now Start...

With range in kitchen.

1. Remove racks and other parts from inside oven.

2. Remove shipping materials, tape and protective film from range. **Do Not remove the shipping base at this time.**



3. Remove screws on each side of the inner panel of the oven door. Insert a nail or a 5/32" diameter item in the hole in each of the hinges. Close door as far as possible. Lift oven door off of the hinges and set aside.

A. Where local codes permit... Connecting the cabinet-grounding conductor to the neutral (white) junction box wire:

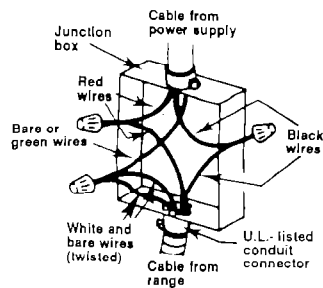


Figure 1

1. Turn power supply off.
2. Connect together 3 wires: green and white appliance cable wires and the neutral white wire in the junction box.
3. Connect the two black wires together, then the two red wires together. See Figure 1.

B. Where local codes DO NOT permit... Connecting the cabinet-grounding conductor to the neutral (white) junction box wire:

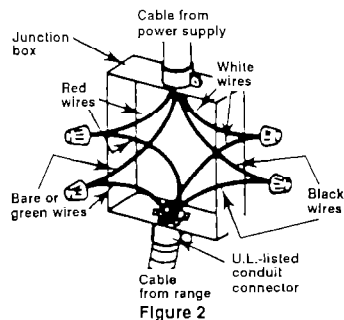


Figure 2

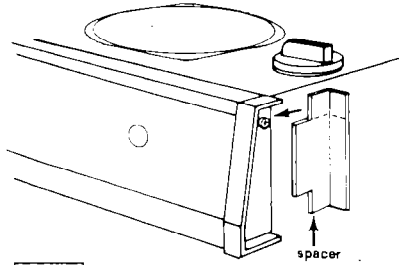
1. Turn power supply off.
2. Separate the green and white appliance cable wires.
3. Connect the white appliance cable wire to the neutral (white) wire in junction box.
4. Connect the two black wires together, then the two red wires together. See Figure 2.
5. Connect the grounding wire to a grounded wire in the junction box.

CAUTION

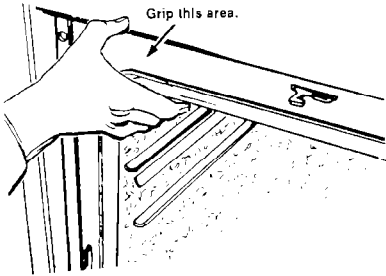
Floor Damage

Before moving range across floor, check that range is on shipping base or slide range onto cardboard or hardboard.

Failure to follow these instructions may result in damage to floor covering.



- 4.** Move range close to cabinet cutout. Make electrical connection. See Electrical requirements and Electrical connection sections, Panels A and B, for details.

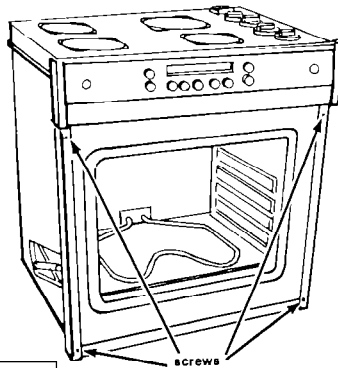


- 5.** Remove and discard shipping base or cardboard or hardboard from under range. Lift range up to cabinet cutout using the oven opening as an area to grip.

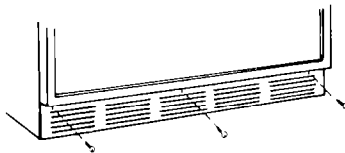
- 6.** Center range into cabinet cutout. Loosen screws and insert spacers (shipped in literature bag), on each side of control console. If range does not fit properly, check spacers. The spacers may need to be cut to fit under countertop. Mark with a pencil where each spacer needs to be cut. Loosen both screws to remove spacers. Cut across top of each spacer. Replace spacers and tighten screws. Check that range fits properly on countertop.

WARNING

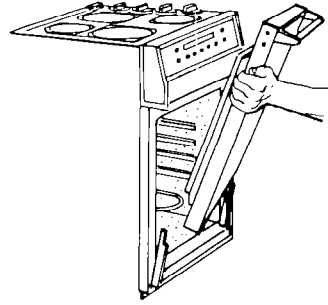
To reduce the risk of tipping the appliance, the appliance must be securely fastened to the cabinet using the four screws that are provided.



- 7.** Secure range to cabinet using four screws through the mounting holes in the front frame of the oven.

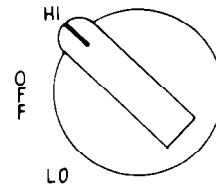


- 8.** Put air grille into place under oven door. Be sure flange is at bottom and mounting holes are at top. Slide air grille up into position. Attach grille with 3 short metal screws.

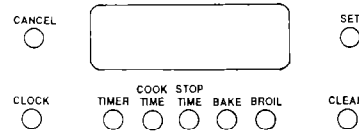


- 9.** Replace oven door by fitting both corners of door over ends of hinges. Push door evenly and completely onto hinges. Remove nails from hinges. Reinstall two screws into inner door panel. If door does not close, you have not pushed door completely onto hinges.

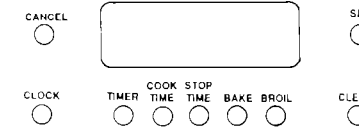
- 10.** Turn on power supply. "8888" should appear in the display. Push the "Clock" button and "1:00" and "TIME" will appear in the display. Push and hold the "Clock" button and rotate the "Set" knob until the correct time of day appears. Release the "Clock" button.



- 11.** Push in and turn each surface unit control knob to "HI" position. Check the operation of the cooktop elements and indicator lights.

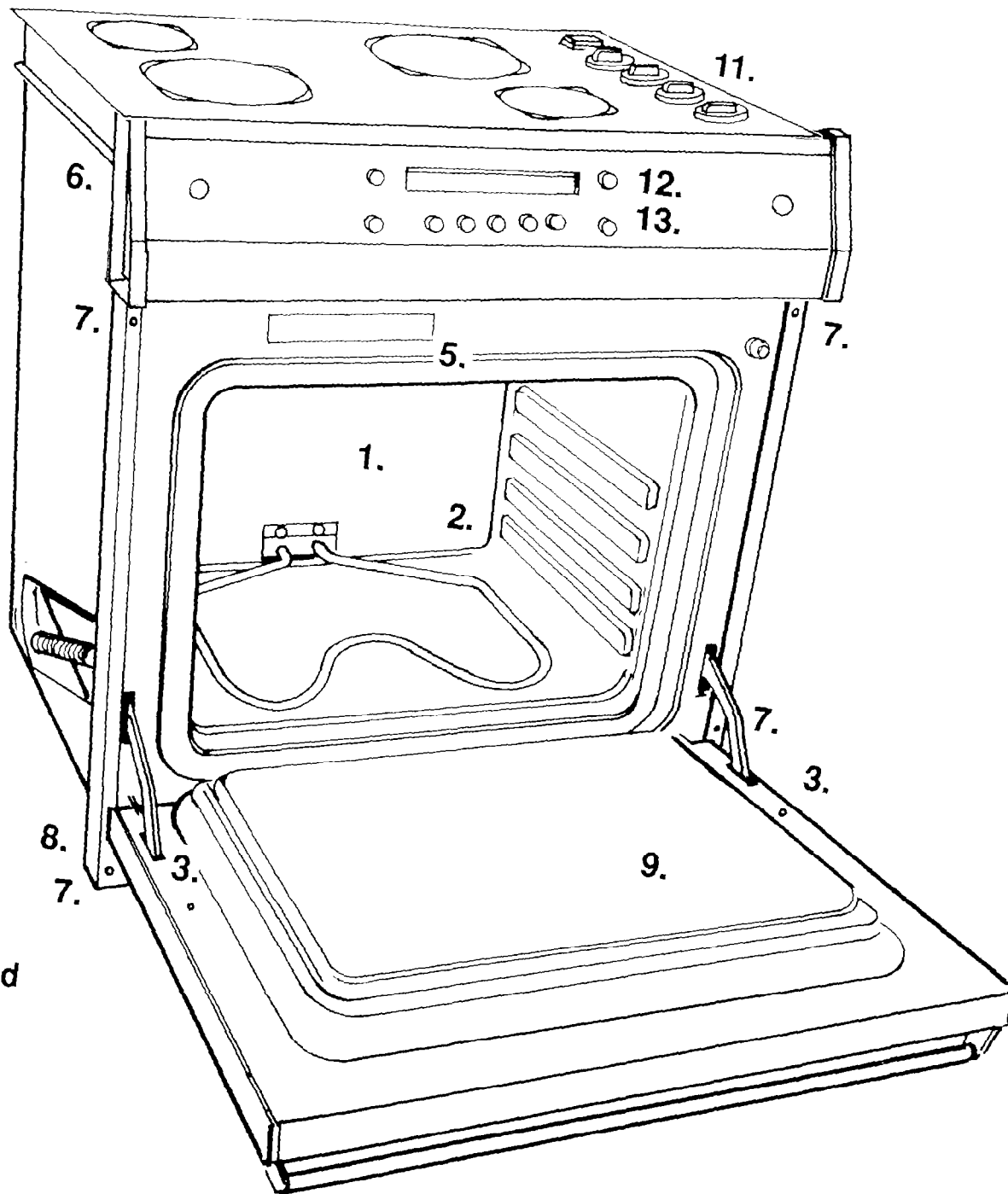


- 12.** Check the operation of the oven **bake element**. Push "Bake" button and 350° will appear in the display along with the time of day. "PRE-BAKE" will also appear in the display and the "ON" indicator light should be on. The bottom element should glow red. The upper element should become hot but not glow red. The oven interior light should be on and the oven should be heating. Push the "Cancel" button and "OFF" will appear in the display. Then the display will change to time of day. The oven should turn off.



- 13.** Check the operation of the oven **broil element**. Push the "Broil" button and "brl" will appear in the display along with the time of day. The "BROIL" and "ON" indicator lights should be on. The upper element should glow red. The oven light should be on and the oven should be heating. Push the "Cancel" button and "OFF" will appear. Then the display will change to time of day. The oven should turn off.

To get the most efficient use from your new electric range, read your KitchenAid Use and Care Guide. Keep Installation Instructions and Guide close to the electric range for easy reference.



Numbers correspond to steps.

Panel C

If the range does not operate...

Check that the circuit breaker is not tripped or the house fuse blown. A more detailed, troubleshooting checklist is provided in the Use and Care Guide.

NOTE:

Refer to Owner's Guide for operating instructions and cleaning instructions.



WARNING

Personal Injury Hazard

Do Not step, lean or sit on the range drawer or door.

Failure to follow these instructions could result in personal injury and/or product damage.

For cleaning and maintenance...

If removing the range is necessary for cleaning or maintenance, disconnect the electric supply to the range.

Remove screws holding range to cabinet and pull range out only as far as necessary to disconnect the electric supply cable. Remove the range to complete cleaning or maintenance.

Move range back into operating position. Replace screws and secure range to cabinet. Reconnect the electric supply.

If you need assistance...

The KitchenAid Consumer Assistance Center will answer any questions about operating or maintaining your appliances not covered in the Installation Instructions. The KitchenAid Consumer Assistance Center is open 24 hours a day, 7 days a week. Just dial (800) 422-1230 – the call is free.

When you call, you will need the appliance model number and serial number. Both numbers can be found on the serial/rating plate located behind the oven door on the front frame.

If you need service...

In the event that your KitchenAid appliance should need service, call the dealer from whom you purchased the appliance or a KitchenAid-authorized service company. A KitchenAid-authorized service company is listed in the Yellow Pages of your telephone directory under "Appliance – Household – Major – Service or Repair". You can also obtain the service company's name and telephone number by dialing, free, within the continental United States, the KitchenAid Consumer Assistance Center telephone number, (800) 422-1230. A special operator will tell you the name and number of your nearest KitchenAid-authorized service company.