

KitchenAid® Front Loading Automatic Washer

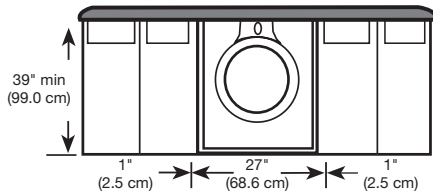
PRODUCT MODEL NUMBERS

KHWS01PM

Electrical: 120-volt, 60-Hz, AC-only, 15- or 20-amp. electrical supply. A time-delay fuse or circuit breaker and separate circuit is recommended.

UNDERCOUNTER INSTALLATION

Dimensions shown are for minimum spacing.

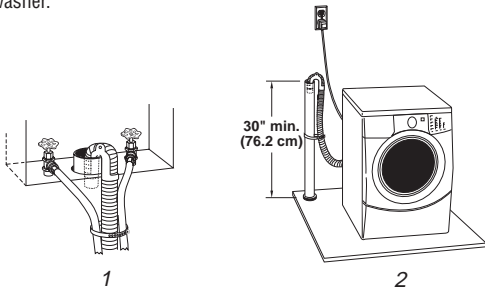


DRAIN SYSTEM OPTIONS

Standpipe drain system - wall or floor (view 1 & 2)

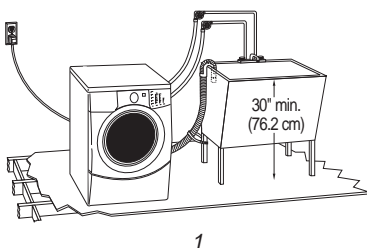
The standpipe drain requires a minimum diameter standpipe of 2 in. (5 cm). The minimum carry-away capacity can be no less than 17 gal. (64 L) per minute.

The top of the standpipe must be at least 30 in. (76.2 cm) high and no higher than 96 in. (2.4 m) from the bottom of the washer.



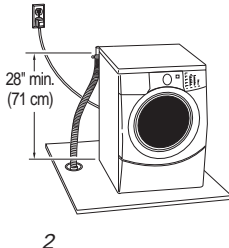
Laundry tub drain system (view 1)

The laundry tub needs a minimum 20 gal. (76 L) capacity. The top of the laundry tub must be at least 30 in. (76.2 cm) above the floor.

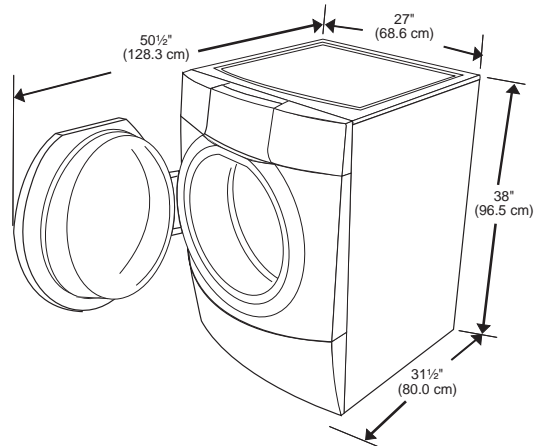


Floor drain system (view 2)

The floor drain system requires a siphon break that may be purchased separately. The siphon break must be a minimum of 28 in. (71 cm) from the bottom of the washer. Additional hoses might be needed.



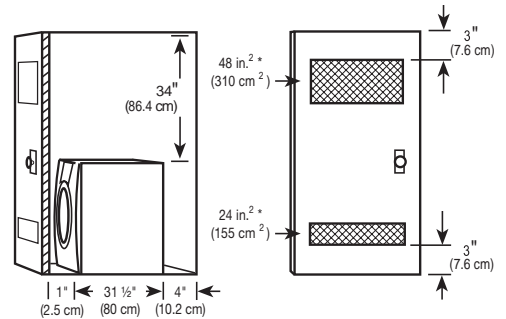
OVERALL DIMENSIONS



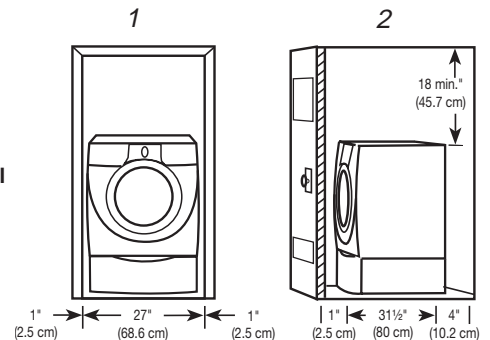
RECESSED AREA AND CLOSET INSTALLATIONS

Dimensions shown are for the recommended spacing.

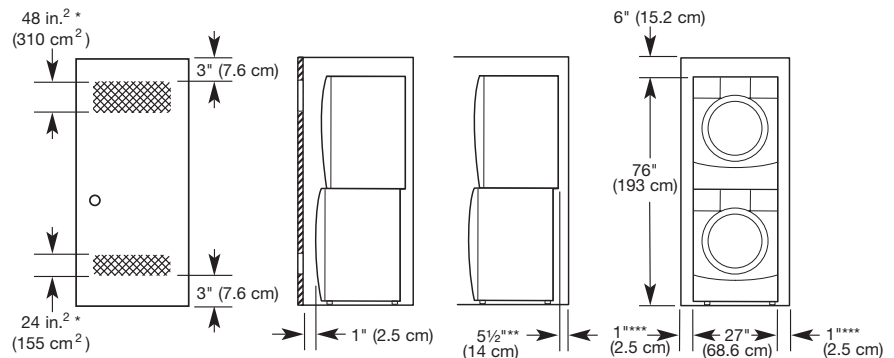
1. Side view - closet or confined area
2. Closet door with vents



Washer on Pedestal



Stacked Washer and Dryer



*Min. top and bottom air openings for closet door.

**External exhaust elbow requires additional space.

***Wall, door and floor molding may require additional spacing.