



| PERFORMANCE DATA NO LOAD & NO DOOR OPENINGS AT MID-POINT CONTROL SETTING | | | | |
|--|--|----------------------------------|-----------------------------------|------------------------------------|
| Type A with Run/Start Capacitor | 65°F (18°C) Ambient | | 90°F (32°C) Ambient | |
| | Variable Speed | Standard | Variable Speed | Standard |
| Operating Time | 74 to 84% | 32 to 40% | 100% | 55 to 65% |
| Freezer Temperature | -2° to 2° F -19° to -17° C | 0° to 4° F -18° to -16° C | -1° to 3° F -18° to -16° C | -1° to 3° F -18° to -16° C |
| Refrigerator Temperature | 34° to 39° F 1° to 4° C | 34° to 39° F 1° to 4° C | 34° to 39° F 1° to 4° C | 34° to 39° F 1° to 4° C |
| Low Side Pressure (cut-in) | 5 to 12 psig 43 to 83 kPa | 5 to 12 psig 43 to 83 kPa | N/A | 5 to 12 psig 43 to 83 kPa |
| Low Side Pressure (cut-out) | -2 to 2 psig -14 to 14 kPa | -2 to 2 psig -14 to 14 kPa | -2 to 2 psig -14 to 14 kPa | -2 to 2 psig -14 to 14 kPa |
| High Side Pressure (last 1/3 cycle) | 90 to 105 psig 621 to 724 kPa | 90 to 115 psig 621 to 793 kPa | 120 to 135 psig 827 to 931 kPa | 130 to 155 psig 896 to 1069 kPa |
| Wattage (last 1/3 cycle) | 60 to 65 | 120 to 150 | 65 to 80 | 130 to 160 |
| Amps (running) | .7 to 1.1 | 1.0 to 1.4 | .9 to 1.3 | 1.1 to 1.5 |
| Base Voltage | 115 vac (127 vac max) | | | |
| DEFROST SPECIFICATIONS | | | | |
| Cabinet Size | Thermostat | | Heater | |
| | Cut-in | Cut-out | Watts | Ohms |
| 23', 23' CD, 26' | 25° F (-4° C) | 47° F (8° C) | 450 | 30 |
| Electronic Timer - (ADC) Defrost 24 minutes every 6-96 hours of compressor run time. | | | | |
| CONDENSER FAN MOTOR | | | | |
| Watts | RPM | Amps | | |
| 3.1 | 1100 CW Opposite Shaft | 0.03 Running | | |
| ICE MAKER SPECIFICATIONS | | | | |
| Electrical | 115 vac (127 vac max) | | | |
| Thermostat | Opens at 48° F (9° C), Closes at 15° F (-9° C) | | | |
| Heater Voltage | 85 vac | | | |
| ICE MAKER CONNECTOR PLUG CONNECTIONS | | | | |
| Wire Number | Wire Color | Connects to: | | |
| 1 | Green/Yellow | Ground | | |
| 2 | Yellow | Water Valve | | |
| 3 | Black | Line | | |
| 4 | Light Blue | Neutral | | |

IMPORTANT: PLEASE RETURN THIS SHEET TO IT'S ORIGINAL LOCATION

SERVICE DATA SHEET

241868703

ICE & WATER - AUTOMATIC DEFROST
SIDE BY SIDE - R134a

IMPORTANT SAFETY NOTE

The information provided herein is designed to assist qualified repair personnel only. Untrained persons should not attempt to make repairs due to the possibility of electrical shock. Disconnect power cord before servicing this appliance.

IMPORTANT

If any green grounding wires are removed during servicing, they must be returned to their original position and properly secured.

CAUTION

All electrical parts and wiring must be shielded from torch flame. DO NOT allow torch to touch insulation; it will char at 200°F and flash ignite (burn) at 500°F. Excessive heat will distort the plastic liner.

NOTE

This product comes equipped with an Adaptive Defrost Control (ADC). To activate manual defrost, simultaneously press and hold the Fresh Food up (+) and Fresh Food down (-) keys for 5 seconds. A "d" in the freezer temperature window and "F" in the refrigerator temperature window will display when the heater is activated. To deactivate manual defrost, simultaneously press and hold the Fresh Food up (+) and Fresh Food down (-) keys for 5 seconds. A "d" and "F" will be displayed until the defrost cycle is complete.

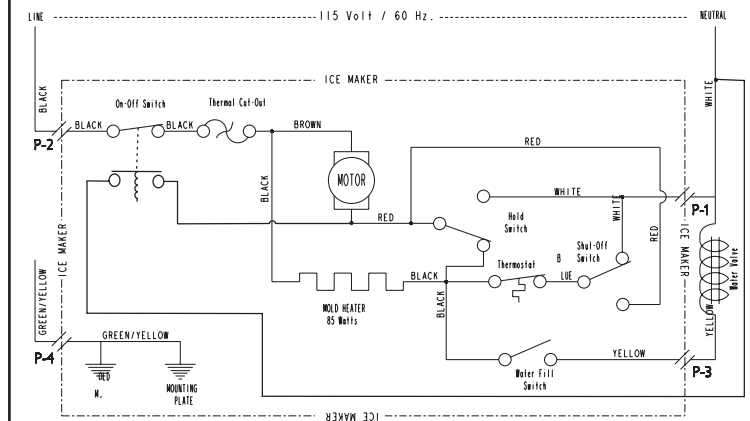
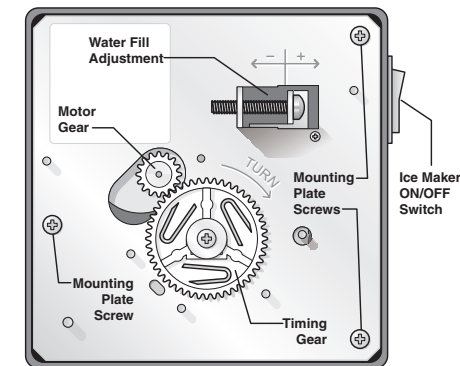
ICE MAKER INFORMATION

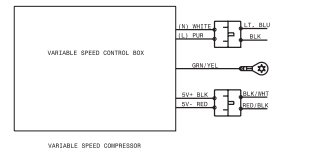
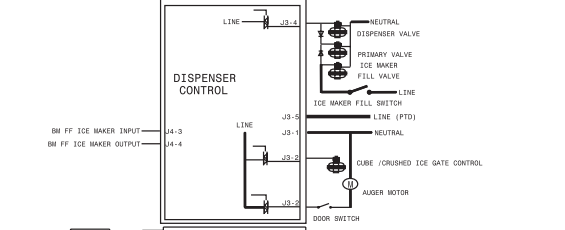
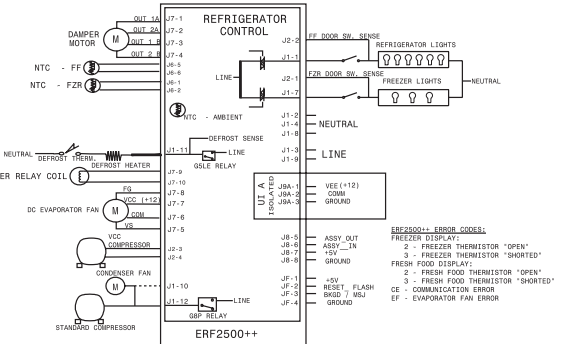
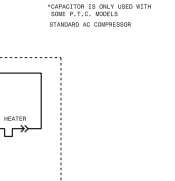
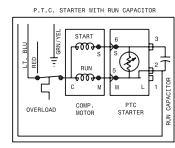
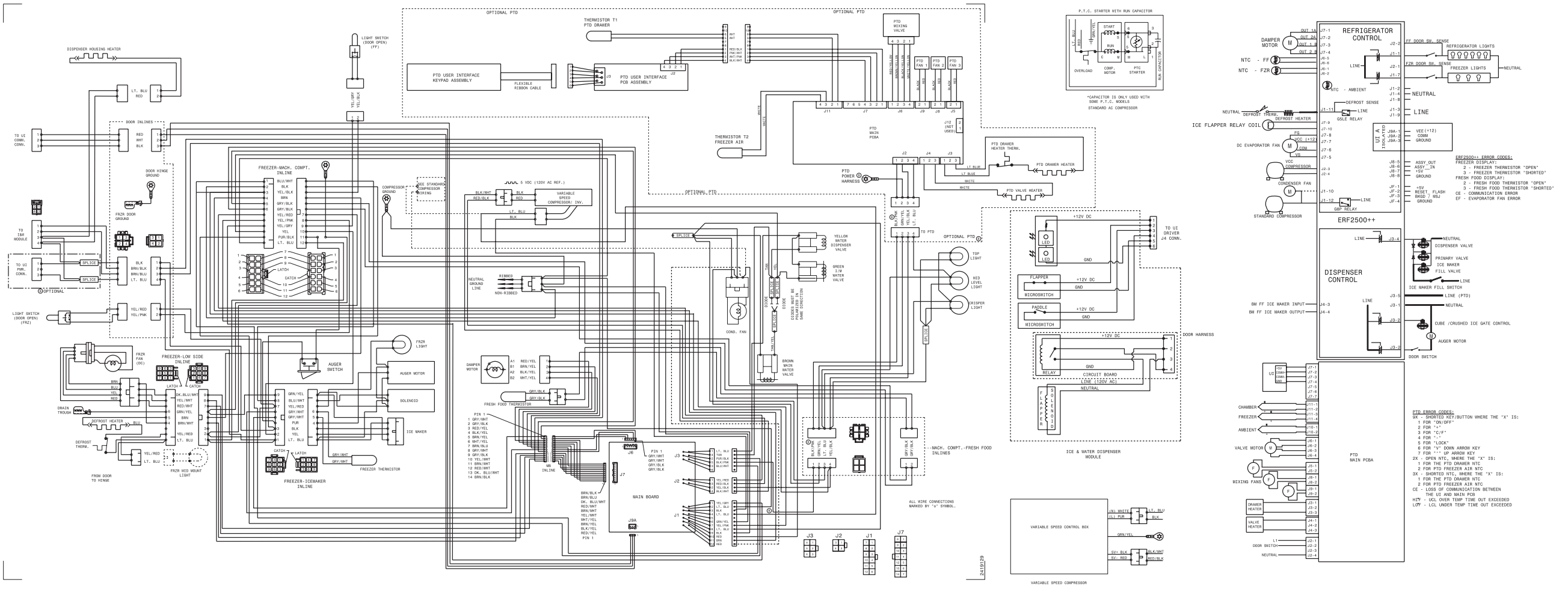
Test Cycling

Press the momentary contact on the ON/OFF switch for approximately 15 seconds. Ice maker will continue to complete the cycle.

Water Fill Volume

Remove cover by inserting screwdriver in notch at bottom and prying cover from housing. The water fill adjustment screw will change the fill time. One turn is equal to 20cc (.68 oz.). The correct fill is 102 to 110cc (3.25 to 3.5 oz.). When a water valve is replaced, the fill volume must be checked.





- PTD ERROR CODES:**
- 0X - SHORTED KEY/BUTTON WHERE THE "X" IS:
 - 1 FOR "ON/OFF"
 - 2 FOR "+"
 - 3 FOR "C/F"
 - 4 FOR "-"
 - 5 FOR "LOCK"
 - 7 FOR "" UP ARROW KEY
 - 8 FOR "" DOWN ARROW KEY
 - 9 FOR "P.T.D. DRAWER NTC"
 - 2X - OPEN NTC WHERE THE "X" IS:
 - 1 FOR THE P.T.D. DRAWER NTC
 - 2 FOR P.T.D. FREEZER AIR NTC
 - 3X - SHORTED NTC, WHERE THE "X" IS:
 - 1 FOR P.T.D. FREEZER AIR NTC
 - 2 FOR P.T.D. FREEZER AIR NTC
 - CE - LOSS OF COMMUNICATION BETWEEN THE LT AND MAIN PCB
 - HTM - UCL OVER TEMP TIME OUT EXCEEDED
 - LTP - LCL UNDER TEMP TIME OUT EXCEEDED

241512P