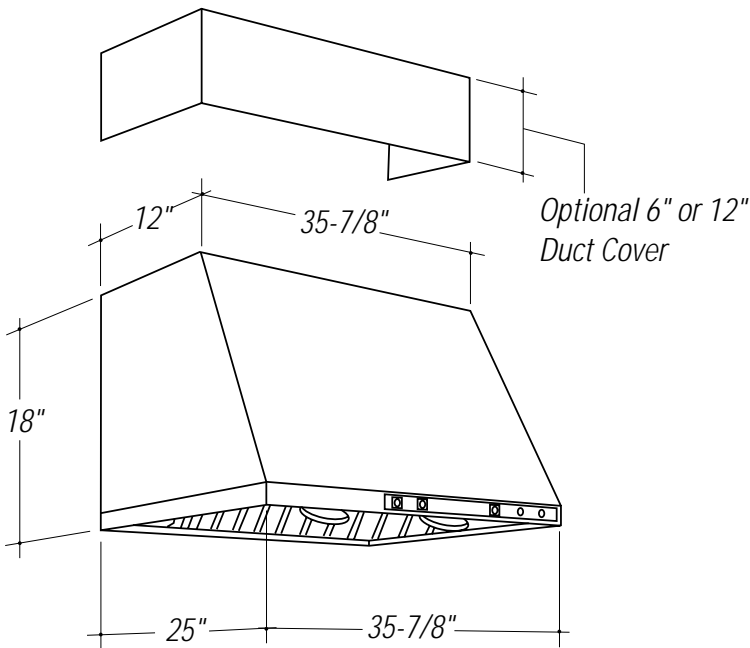




Monogram™

## ZV680YSS—36" Professional Vent Hood

Dimensions and Specifications (in inches)



### Accessories:

**Before you Begin**—Decorative duct covers are available in 6" or 12" heights. The duct covers conceal the ductwork running from the top of the hood to the ceiling or soffit. Before you begin, you should determine the installation height of the hood and order the correct size duct cover.

ZX6DC38YSS—6" high decorative duct cover  
ZX12DC38YSS—12" high decorative duct cover

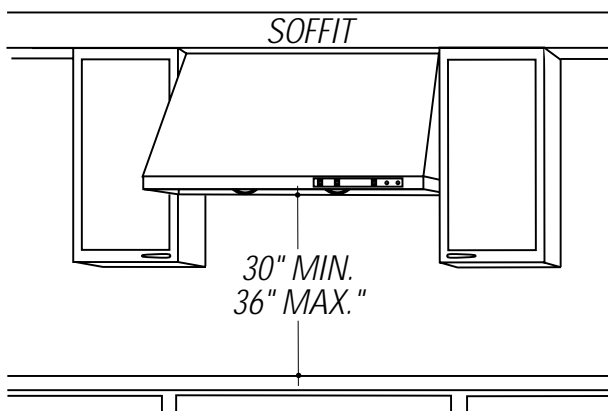
### Dimensions and Clearances:

These vent hoods must be installed 30" min. and 36" max. above the cooking surface. Installation will be easier if the vent hood is installed before the range or cooktop installation. These hoods can be installed into a soffit, or when there is no soffit, they can be installed directly onto a wall.

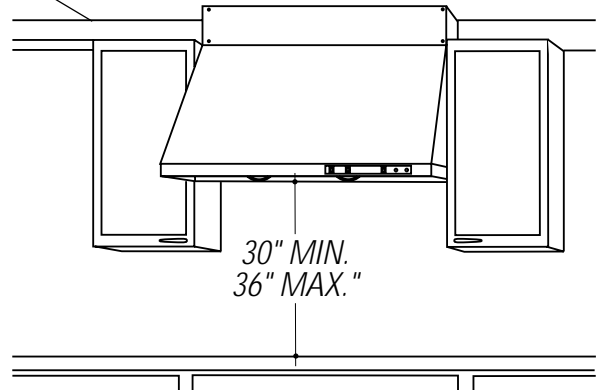
### Note:

36" Hoods may use 7" to 10" round, or 3-1/4"x12" to 3-1/4"x24" duct.

### SOFFIT INSTALLATION



### WALL MOUNT INSTALLATION



For answers to your Monogram®, GE Profile Performance Series,™ GE Profile,™ GE, Hotpoint and RCA appliance questions, call GE Answer Center® service, 800.626.2000.



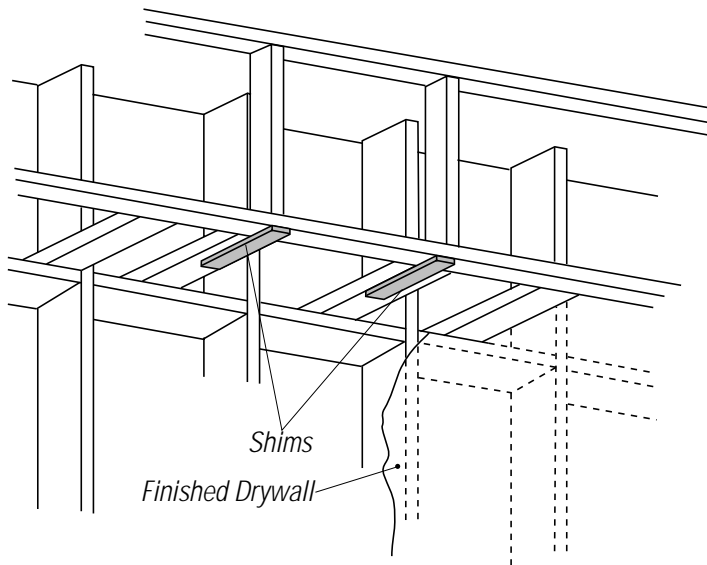
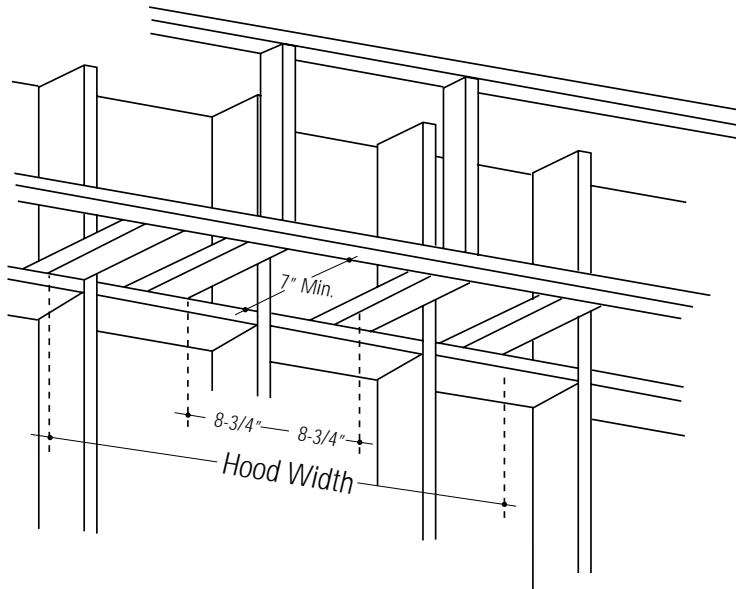
Listed by  
Underwriters  
Laboratories



Monogram™

## ZV680YSS—36" Professional Vent Hood

### Dimensions and Specifications (in inches)



#### Soffit Framing:

We recommend that the vent hood and/or duct cover be on site before final framing and wall finishing to more accurately locate the ductwork and electrical service.

**Note:** If the top of the installation location does not meet the soffit, use a 6" or 12" duct cover accessory to conceal the duct run.

- The soffit should be constructed with 2 x 4s.
- Determine the installation location.
- Refer to "Soffit Installation" for mounting screw locations.
- Mark the centerline of the installation.
- Add additional 2 x 4 studs at the locations illustrated.
- Allow 7" deep minimum opening below the soffit to accommodate ductwork.
- Cut two wood shims, 2" x 10" x drywall thickness. Secure to the bottom of the horizontal studs, flush with the front, as illustrated. **Note:** If drywall is present, cut away enough to expose studs.

For answers to your Monogram® GE Profile Performance Series,™ GE Profile,™ GE, Hotpoint and RCA appliance questions, call GE Answer Center® service, 800.626.2000.



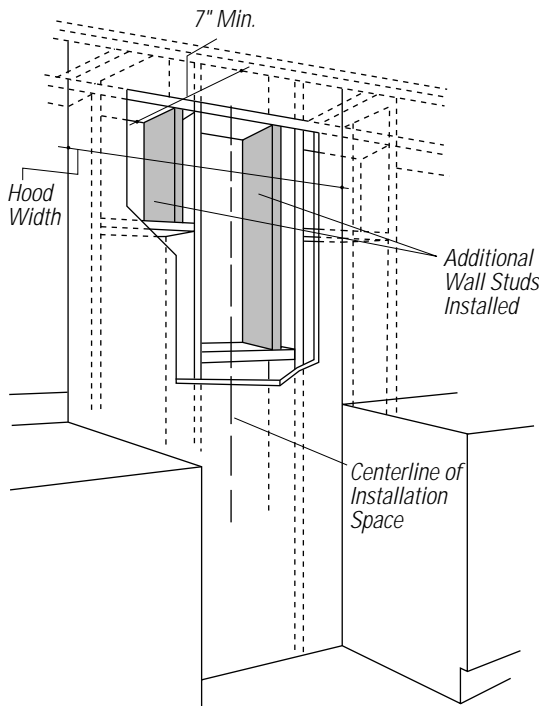
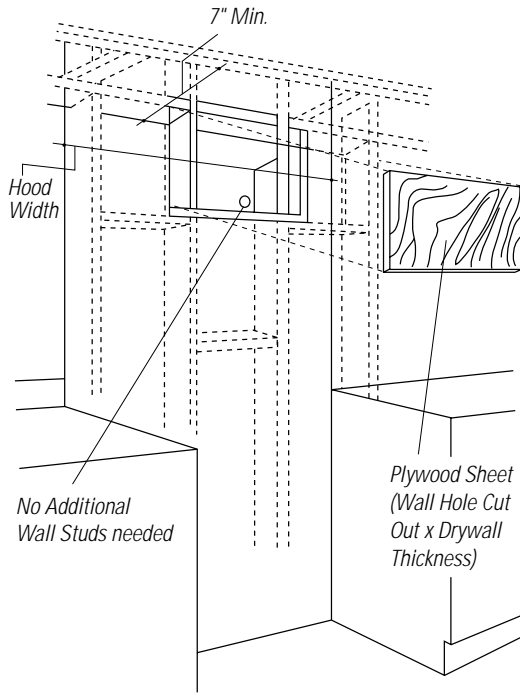
Listed by  
Underwriters  
Laboratories



Monogram™

## ZV680YSS—36" Professional Vent Hood

### Dimensions and Specifications (in inches)



#### Wall Mount Framing:

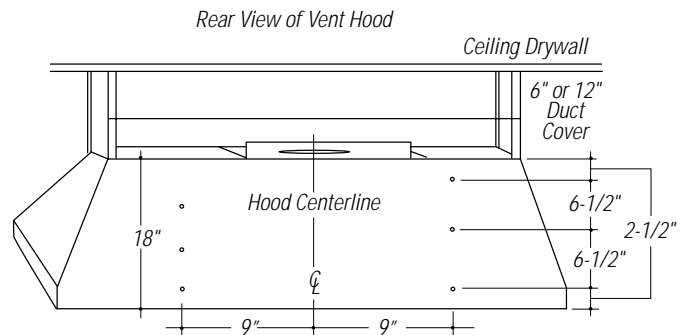
**Note:** A decorative duct cover is available for wall mount installations. The duct cover conceals the duct run from the top of the hood to the ceiling. Choose the 6" or 12" cover based upon installation height of the vent hood.

We recommend that the vent hood and decorative duct cover be on site before final framing and wall finishing in order to accurately locate the ductwork and electrical service.

- Determine the location for installation.
- Mark the centerline of the installation.

Cut a sheet of plywood 36" wide and 18" high. If drywall is installed, cut away enough to expose two vertical studs, one on each side of the cutout. Secure the plywood to the studs.

- Install additional aligning wall studs as illustrated.



For answers to your Monogram®, GE Profile Performance Series,™ GE Profile,™ GE, Hotpoint and RCA appliance questions, call GE Answer Center® service, 800.626.2000.



Listed by  
Underwriters  
Laboratories

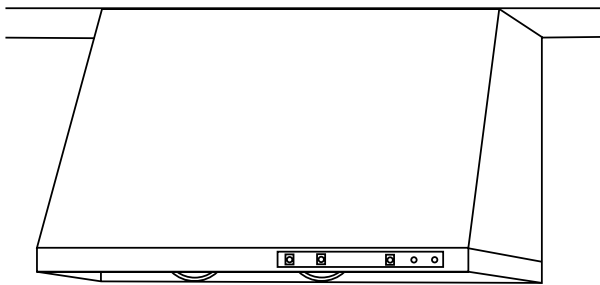


Monogram™

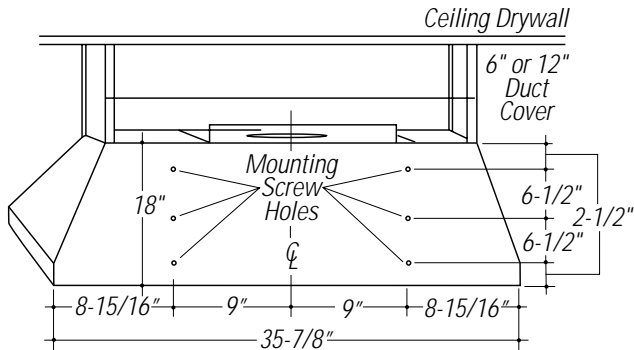
## ZV680YSS—36" Professional Vent Hood

### Dimensions and Specifications (in inches)

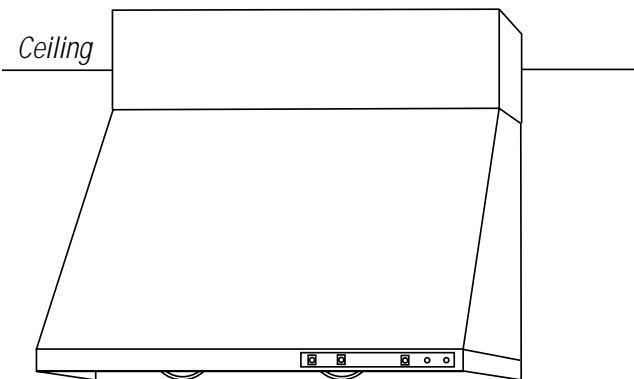
#### SOFFIT INSTALLATION



36" Hood Rear View



#### WALL MOUNT INSTALLATION



#### Soffit Installation:

- Drill 3/16" pilot holes through the shims and into the soffit studs.
- Hold the hood against the soffit and secure with six lag screws with washers.
- For additional support and to minimize vibration during operation, we recommend that the hood be secured to the back wall.
- Drive lag screws through the rear panel of the hood and into the wall studs.

#### Wall Mount Installation:

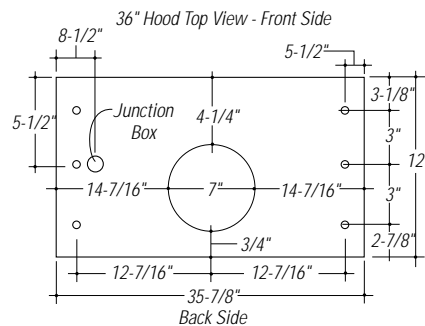
- Drill 3/16" pilot holes, approximately 1-1/2" deep, in all mounting screw locations.
- Hold the hood in position and drive lag screws in top left and right mounting holes.

**Note:** 5/16" hanger bolts can be used in the two top locations. Place the hood onto the hanger bolts and secure with nuts and washers.

- Install lag screws with washers in remaining mounting holes.

#### Installation Information:

Before installing, consult installation instructions (Pub. No. 49-8816) packed with product for current dimensional data.



For answers to your Monogram®, GE Profile Performance Series,™ GE Profile,™ GE, Hotpoint and RCA appliance questions, call GE Answer Center® service, 800.626.2000.

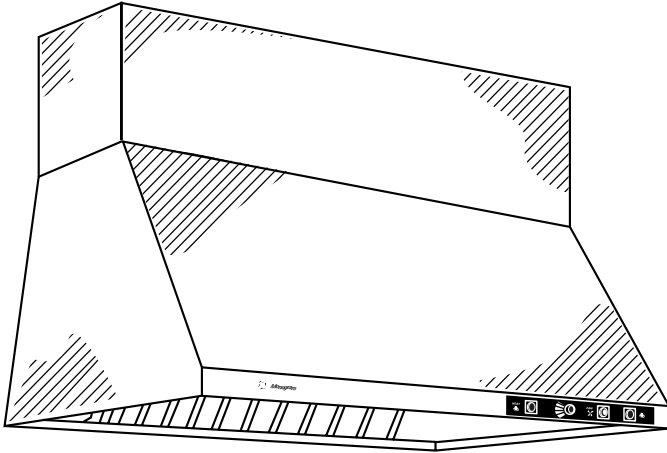


Listed by  
Underwriters  
Laboratories



*Monogram™*

## **ZV680YSS—36" Professional Vent Hood**



### **Features and Benefits**

- *Straight Side Design*
- *36" Width*
- *600 CFM Vertical Exhaust*
- *Variable Speed Fan Control*
- *Removable Stainless Steel Filter*
- *2 Halogen Lamps*
- *7" Round Duct*
- *Model ZV680YSS—Stainless Steel*

*For answers to your Monogram®, GE Profile® Performance Series,™ GE Profile,™ GE, Hotpoint and RCA appliance questions, call GE Answer Center® service, 800.626.2000.*



*Listed by  
Underwriters  
Laboratories*