

Installation Instructions

Quick Reference

Table of Contents:

Pages

- 1** Product dimensions
- 1** Cutout dimensions
- 1** Before you start
- 2** Electrical requirements
- 2 3** Installation steps

If you need assistance:

Check your Use and Care Guide for a toll-free number to call or call the dealer from whom you purchased this appliance. The dealer is listed in the Yellow Pages of your phone directory under "Appliances — Household — Major — Service and Repair."

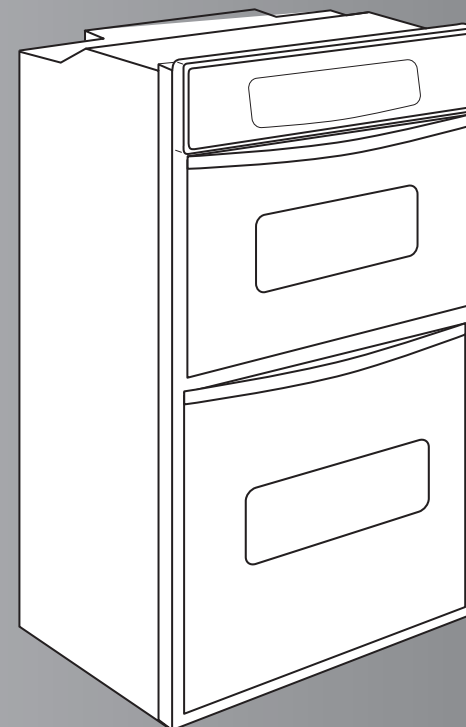
Call when you:

- Have questions about built-in oven installation or operation.
- Need to obtain the name and number of an authorized service company.

When you call, you will need:

- The built-in oven model number.
- The built-in oven serial number.

Both numbers are listed on the model/serial rating plate, located on the microwave oven frame.



**27" (68.6 cm) and 30"
(76.2 cm) Electric Built-in
Microwave/ Oven
Combination**

IMPORTANT:

Read and save these instructions.

Part No. 8300650

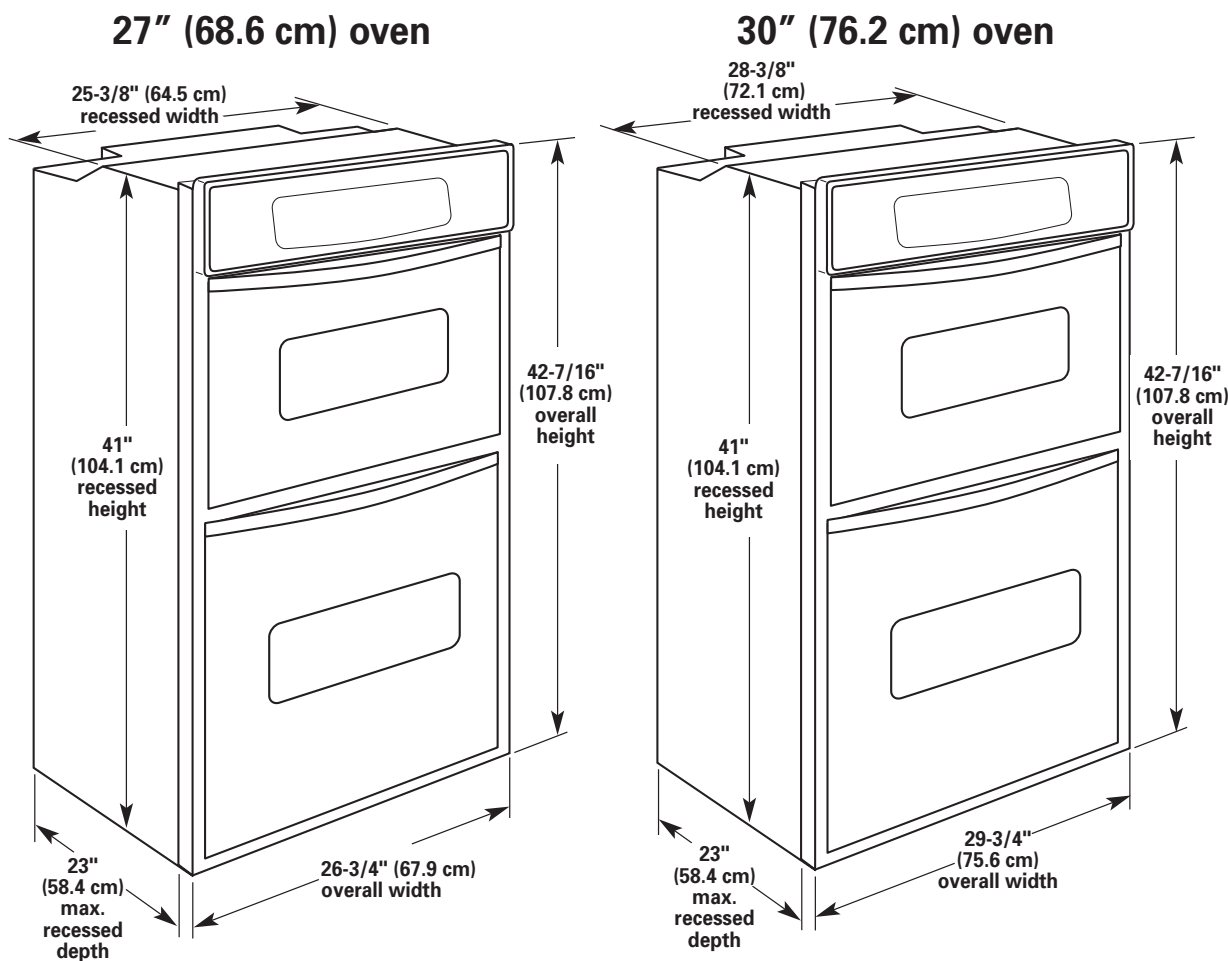
IMPORTANT:

Installer: Leave Installation Instructions with the homeowner.

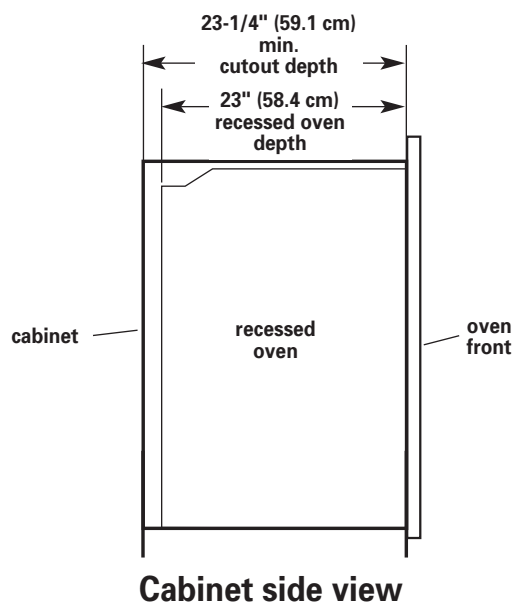
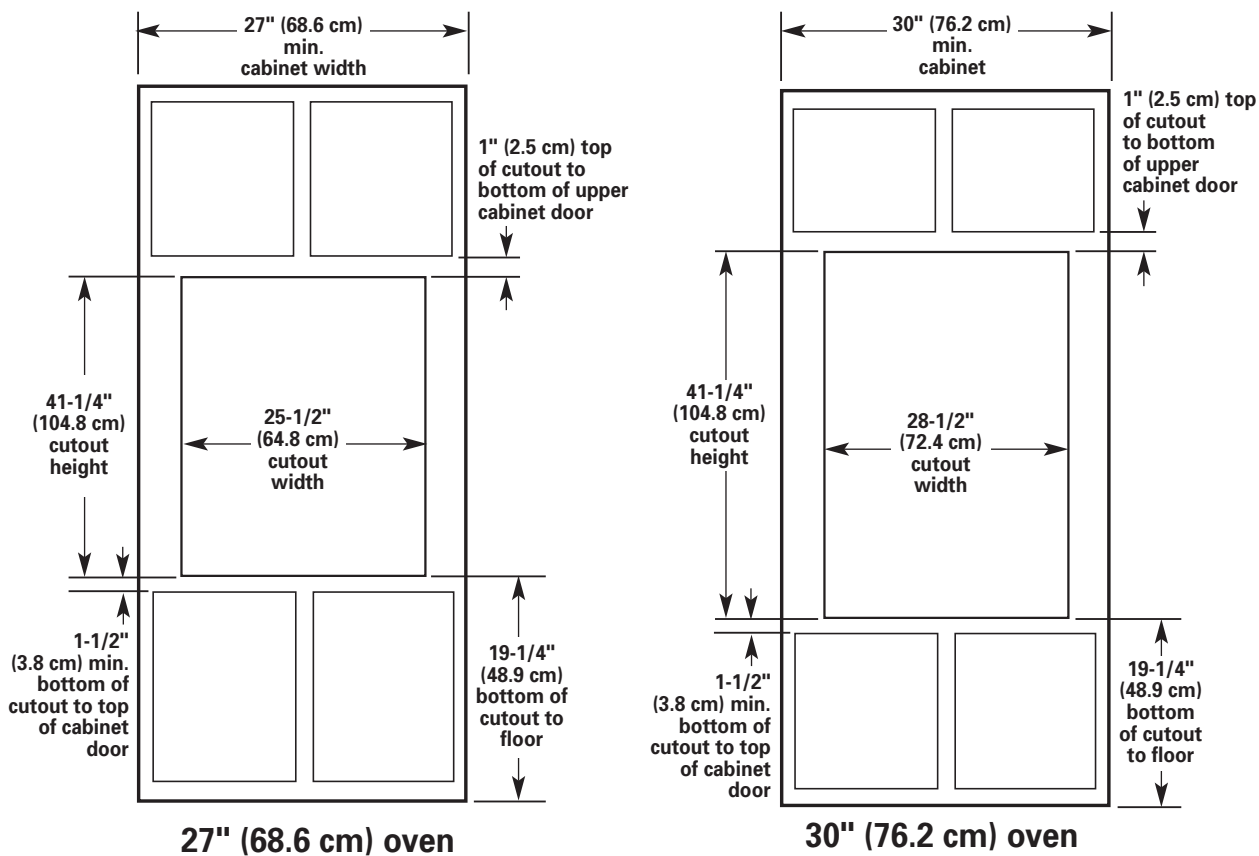
Homeowner: Keep Installation Instructions for future reference.

Save Installation Instructions for local electrical inspector's use.

Product dimensions



Cutout dimensions



Cabinet filler kits are available from your dealer. Use a matching color kit if oven is smaller than your cabinet opening.

27" (68.6 cm) oven filler height is 7-13/16" (19.8 cm)

Black — 4378950
White — 4378951
Almond — 4378952

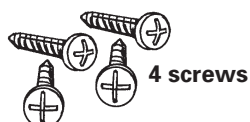
30" (76.2 cm) oven filler height is 4-13/16" (12.2 cm)

Black — 4378944
White — 4378945
Almond — 4378946

Tool needed:

Phillips screwdriver

Parts supplied:



Copies of the standards listed may be obtained from:

* National Fire Protection Association
Batterymarch Park
Quincy, Massachusetts 02269

** CSA International
8501 East Pleasant Valley Road
Cleveland, Ohio 44131-5575

Before you start...

Your safety and the safety of others are very important.

We have provided many important safety messages in this manual and on your appliance. Always read and obey all safety messages.



This is the safety alert symbol. This symbol alerts you to potential hazards that can kill or hurt you and others.

All safety messages will follow the safety alert symbol and either the word "DANGER" or "WARNING". These words mean:

! DANGER

You can be killed or seriously injured if you don't immediately follow instructions.

! WARNING

You can be killed or seriously injured if you don't follow instructions.

All safety messages will tell you what the potential hazard is, tell you how to reduce the chance of injury, and tell you what can happen if the instructions are not followed.

Important: Observe all governing codes and ordinances.

Proper installation is your responsibility. Have a qualified technician install this oven.

Oven location should be away from strong draft areas, such as windows, doors and strong heating vents.

Cabinet opening dimensions that are shown must be used. Given dimensions provide minimum clearance.

Recessed installation area must provide complete enclosure around the recessed portion of the oven.

Electrical ground is required. See "Electrical requirements."

Electrical supply junction box should be located 3 inches (7.6 cm) maximum below the support surface when oven is installed in a wall cabinet. Cutout for wiring should be in the right rear or left rear corner. For undercounter installation, it is recommended that the junction box be located in the adjacent right or left cabinet. If installing junction box on rear wall behind oven, junction box must be recessed and located in the upper or lower right or left corner of cabinet.

Oven support surface MUST be solid, level and flush with bottom of cabinet cutout.

! WARNING

Excessive Microwave Energy Exposure

Do not attempt to operate the microwave oven with the door open.

Do not tamper with or defeat the safety interlocks.

Do not place objects between the microwave oven front face and door.

Do not allow soil or cleaner residue to accumulate on sealing surface of the microwave oven door.

Do not operate the microwave oven if damaged.

Do not operate the microwave oven if:

- door is bent.
- hinges and latches are broken or loose.
- door seals, sealing surfaces or glass are broken.

The microwave oven door must close properly to provide safe operation.

Have a qualified repair person adjust, repair and check microwave oven for microwave leakage after a repair is made.

Do not use microwave for commercial purposes. The microwave oven in this unit is designed for household use only.

Failure to follow these instructions could result in exposure to excessive microwave energy.

It is the customer's responsibility:

To contact a qualified electrical installer.

To assure that the electrical installation is adequate and in conformance with National Electrical Code, ANSI/NFPA 70 — latest edition*, or Canadian Electrical Code, C22.1-1982 and C22.2 No. 01982 (or latest edition)** and all local codes and ordinances.

Electrical requirements

If codes permit and a separate ground wire is used, it is recommended that a qualified electrician determine that the ground path and wire gauge are in accordance with local codes.

Do Not ground to a gas pipe.

Check with a qualified electrician if you are not sure oven is properly grounded.

Do Not have a fuse in the neutral or grounding circuit.

Do Not ground to a gas pipe.

Check with a qualified electrician if you are not sure oven is properly grounded.

Do Not have a fuse in the neutral or ground circuit.

This oven must be connected to a grounded metal, permanent wiring system.

Oven **must** be connected to the proper electrical voltage and frequency as specified on the model/serial rating plate. (The model/serial rating plate is located on the oven door or on the oven frame.)

✓ Models rated from 7.3 to 9.6 kW at 240 volts (5.5 to 7.2 kW at 208 volts) require a separate 40-ampere circuit. Models rated at 7.2 kW and below at 240 volts (5.4 kW and below at 208 volts) require a separate 30-ampere circuit.

✓ A time-delay fuse or circuit breaker is recommended.

✓ Connect directly to the fused disconnect (or circuit breaker box) through flexible, armored or non-metallic sheathed, copper cable (with ground wire).

✓ Flexible armored cable from appliance should be connected directly to junction box.

✓ Fuse both sides of the line.

✓ A U.L.-listed conduit connector **must** be provided at the junction box.

✓ Do Not cut the conduit.

Wire sizes and connections must conform with the rating of the appliance and to the requirements of the National Electrical Code, ANSI/NFPA 70 — latest edition (*, See Page 1) or Canadian Electrical Code, C22.1-1982 and C22.2 No. 01982 (or latest edition) (**, See Page 1) and all local codes and ordinances.

If the house has aluminum wiring, follow the procedure below.

- Connect the aluminum wiring to the copper wire using special connectors designed and Underwriters Laboratories-listed for joining copper to aluminum. Follow the electrical connector manufacturer's recommended procedure.
- Aluminum/copper connection must conform with local codes and industry-accepted wiring practice.

Installation Steps

A Preparation

⚠ WARNING

Excessive Weight Hazard

Use two or more people to move and install oven.

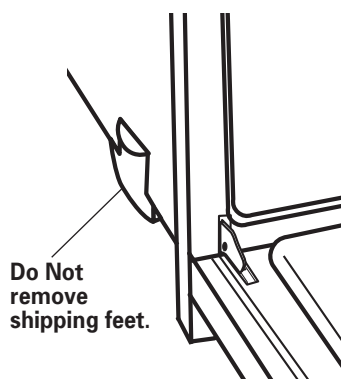
Failure to follow this instruction can result in back or other injury.

Important: Use both hands to remove oven doors.

Do Not use handle or any portion of the front frame or trim for lifting.

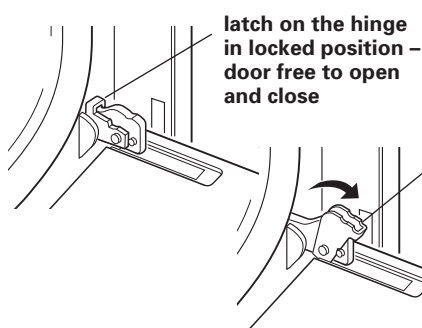
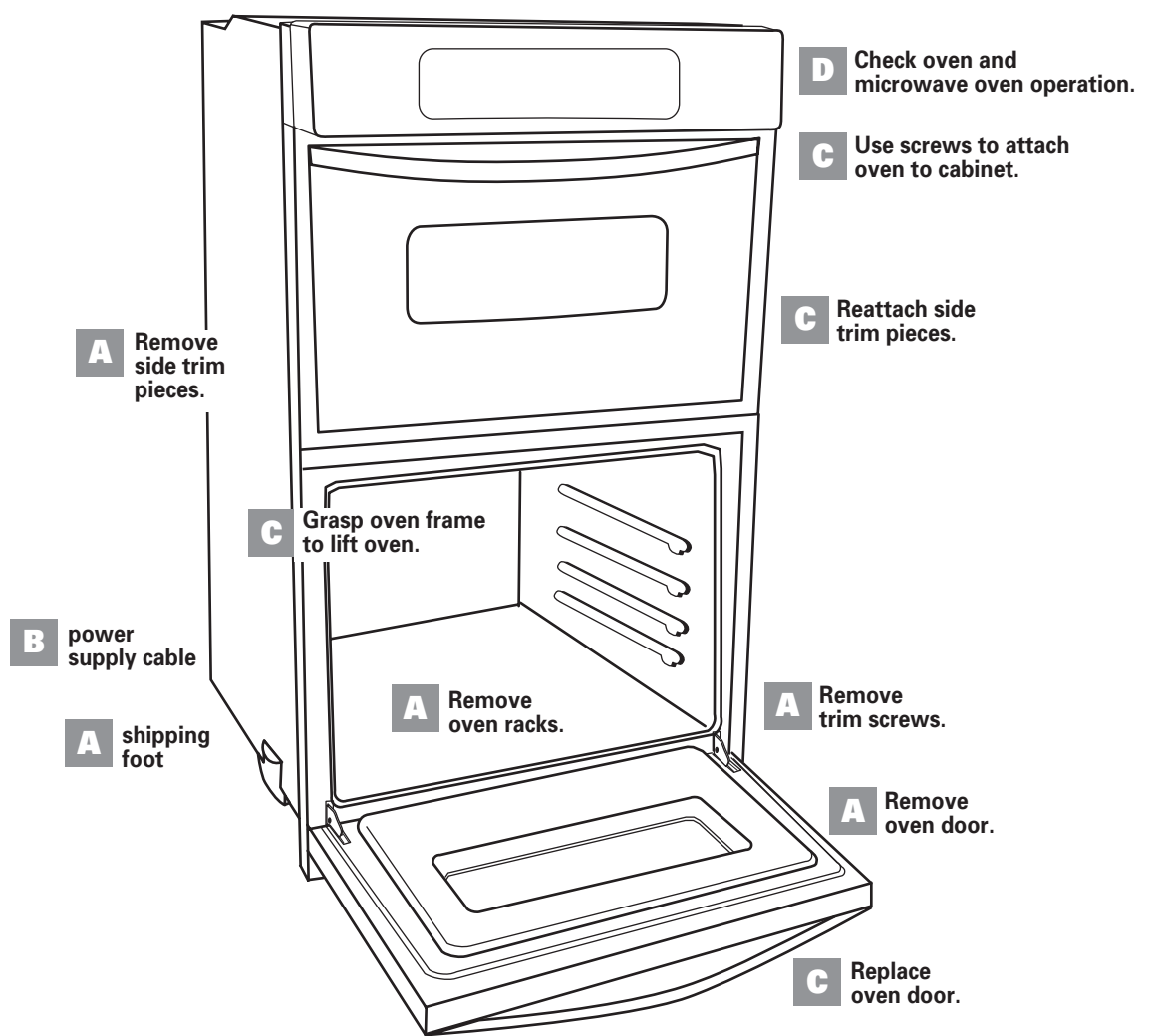
Before moving oven across floor, check that oven is on shipping base or slide oven onto cardboard or hardboard.

Do Not remove shipping feet at the front lower corners of oven.

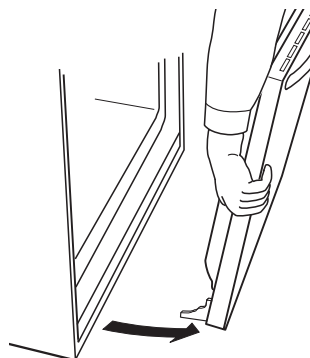


1. Turn power supply off. Move oven close to final position.

- Remove and discard shipping materials, tape and protective film from the oven. **Do Not remove shipping base or shipping feet at the front lower corners of oven. The shipping feet will protect the lower oven trim until oven is inserted into cabinet.**
- Remove and set aside racks and other parts from inside oven.



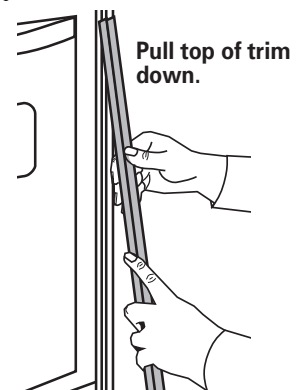
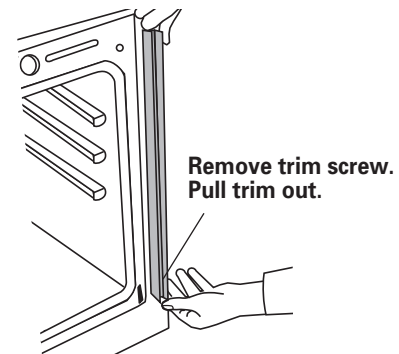
latch on the hinge in unlocked position - door ready for removal



2. Completely open oven door. In both back corners of the door you will see door latches in the locked position. Rotate both latches forward to the unlocked position.

Grasp outside edges of door with both hands.

- Begin closing door, at the moment the door stops closing, lift and pull door toward you.
- Set door aside on a protective surface.



3. Remove trim screws attaching right and left side trim to oven. Grasp the bottom end of trim and pull away from oven. Slide top end of trim downward to remove trim from oven. Take care not to scratch other surfaces with ends of trim. Set trim and screws aside on protected surface.

B Electrical connection

If your house has aluminum wiring, see "Electrical requirements", Page 2.

⚠ WARNING



Electrical Shock Hazard

Turn power supply off before connecting wires.
Use 8 gauge solid copper wire.
Electrically ground range.
Failure to follow these instructions can result in death, fire, or electrical shock.

This oven is manufactured with white (neutral) power supply wire and a cabinet-connected bare ground wire twisted together.

4. Feed oven cable through opening in the cabinet. Make electrical connection following the steps needed for your installation.

1. Disconnect the power supply.
2. Remove the junction box cover.
3. Connect oven cable to junction box through the U.L.-listed conduit connector.
4. Connect the two black wires together with twist-on connectors.
5. Connect the two red wires together with twist-on connectors.
6. Complete electrical connection according to local codes and ordinances.

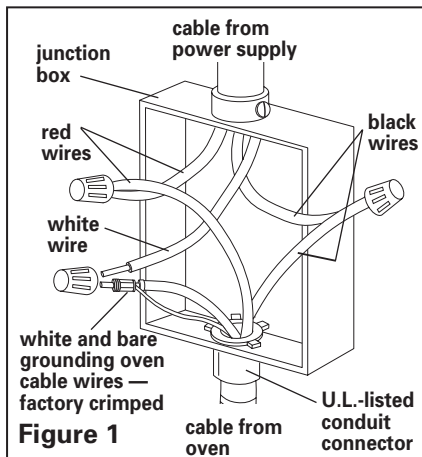


Figure 1

If local codes PERMIT connecting cabinet-ground conductor to neutral white wire in junction box:

7. Connect the factory-crimped bare and white oven cable wires to the neutral (white) wire in junction box. See Figure 1.
8. Replace junction box cover.

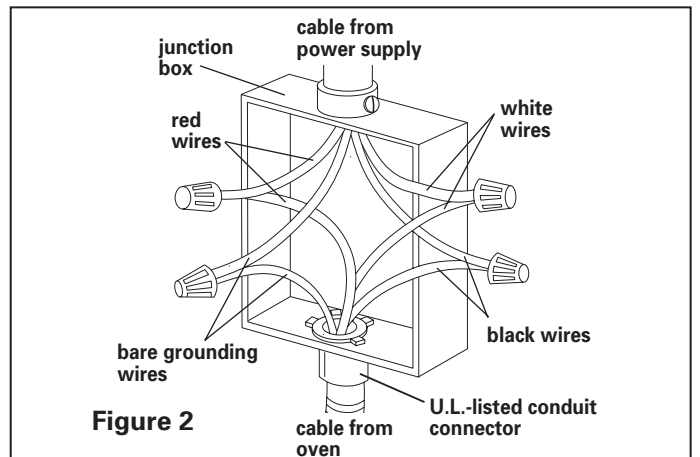


Figure 2

If local codes DO NOT PERMIT connecting cabinet-ground conductor to neutral white wire in junction box:

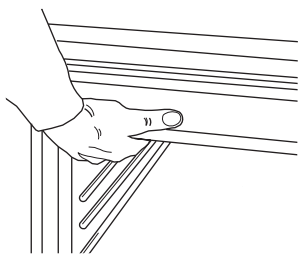
7. Separate the factory-crimped bare and white oven cable wires.
8. Connect white oven cable wire to neutral (white) wire in junction box. See Figure 2.
9. Connect the bare ground oven cable wire to a grounded wire in the junction box. See Figure 2.
10. Replace junction box cover.

If connecting to a four-wire electrical system:

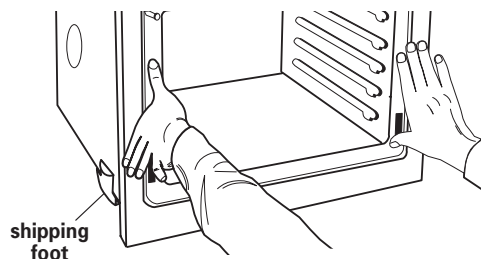
7. Separate bare and white oven cable wires.
8. Connect white oven cable wire to neutral (white) wire in junction box. See Figure 2.
9. Connect the bare ground oven cable wire to the green ground wire in junction box. **Do Not connect bare ground wire to neutral (white) wire in junction box.** See Figure 2.
10. Replace junction box cover.

C Attachment

Carefully push against seal area of oven front frame when pushing oven into cabinet.
Do Not push against outside edges.

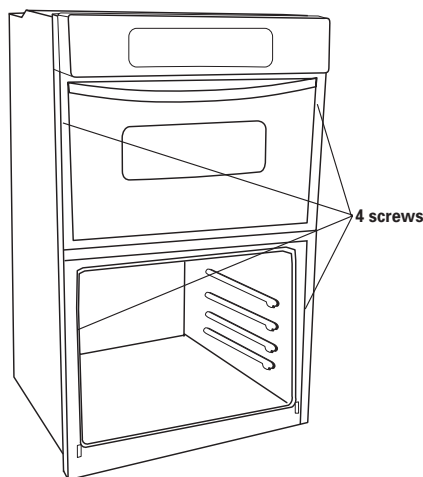


5. Lift oven into cabinet cutout using the oven opening as an area to grip.

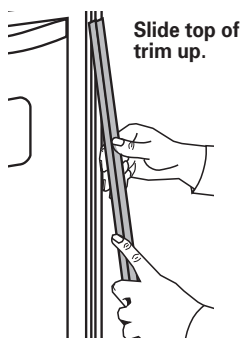


Push against seal area of front frame to push oven into cabinet until shipping feet almost contact cabinet. Use a Phillips screwdriver to remove screws attaching shipping feet. Remove and discard shipping feet.

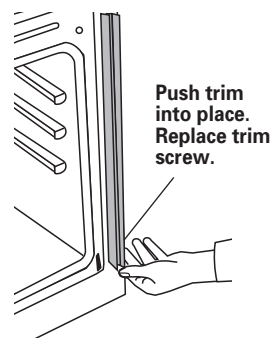
Push oven completely into cabinet and center oven in cabinet cutout.



6. Important: Securely fasten oven to cabinet using the screws provided. Insert the screws through holes in mounting rails. Do Not overtighten screws.



7. Slide top end of each trim upward onto oven side rails. Push each trim into place at bottom of trim. Use screws to attach each trim to oven. Take care not to scratch other surfaces with ends of trim.



8. Replace oven racks.

9. Reinstall the oven door by inserting ends of hinges into hinge slots in the oven frame. Push hinges in as far as they will go. Open the door (you will feel the door drop into place) and rotate **both hinge latches** back to the locked position.

Close and open the door to check that the door closes and opens completely. If door does not close or open completely, repeat the door removal step and reinstall door as described above.

D Check operation

10. Turn on power supply. The display panel will light up briefly. "PF" should appear in the temperature display.



11. Check the operation of your lower oven. Press the "BROIL" pad. "BROIL" will appear in the display. Press the "START" pad. Make sure the oven door is closed and the "ON" light is shown in the display area. After 2 minutes, partially open oven door.

You should feel heat from the oven. Press the "CANCEL" pad.

If your oven does not heat or an "F" appears in the display, contact your dealer or check the "If you need service..." section of this Installation Instructions.

12. Check the operation of the microwave oven.

- Fill a microwave-safe container with one cup of water and place container inside microwave oven. Close door firmly.
- Set microwave oven cook time to "2:00" minutes.
- Press the "START/ENTER" pad. The interior microwave oven light should be on and the remaining cooking time should be displayed.
- When display reads "1:00," open microwave oven door. The microwave should stop cooking.

- Close door firmly. The interior microwave oven light should turn off.
- Press the "START/ENTER" pad. Microwave oven should begin cooking and the microwave oven interior light should be on.
- Let microwave oven complete cooking time. A tone will sound four times at end of cooking time and microwave oven will shut off.
- Open microwave oven door and carefully remove container. Water in container should be hot.

To get the most efficient use from your new oven, read your Use and Care Guide. Keep Installation Instructions and Guide close to oven for easy reference.

If oven does not operate:

- Check that circuit breaker is not tripped or house fuse blown.
- See Use and Care Guide for troubleshooting list.

If you need assistance:

If you have questions about operating, cleaning or maintaining your oven:

- Refer to Use and Care Guide.
- Call the Consumer Assistance Center: Check your Use and Care Guide for a toll-free number to call or call the dealer from whom you purchased this appliance. The dealer is listed in the Yellow Pages of your phone directory under "Appliances — Household — Major — Service and Repair."

If you need service:

Maintain the quality built into your built-in oven by calling an authorized service company.

To obtain the name and number of an authorized service company:

- Contact the dealer from whom you purchased your built-in oven; or
- Look in the Yellow Pages of your telephone directory under "Appliances — Household — Major — Service and Repair" for an authorized service company; or
- Call the Consumer Assistance Center. The toll-free number is listed in your Use and Care Guide.

When you call, you will need:

- The built-in oven model number.
- The built-in oven serial number.

Both numbers are listed on the model/serial rating plate, located on the microwave oven frame.

Instructions d'installation

Référence rapide

Table des matières :

Pages

- 1** Dimensions du produit
- 1** Cavité d'encastrement
- 1** Avant de commencer
- 2** Spécifications de l'installation électrique
- 2 3** Étapes de l'installation

Si une assistance est nécessaire...

Chercher le numéro d'appel (sans frais) dans le Guide d'utilisation et d'entretien, ou contacter le revendeur chez qui l'appareil a été acheté. On trouve les coordonnées des concessionnaires dans l'annuaire Pages jaunes local à la rubrique «Appareils ménagers – gros – service et réparation».

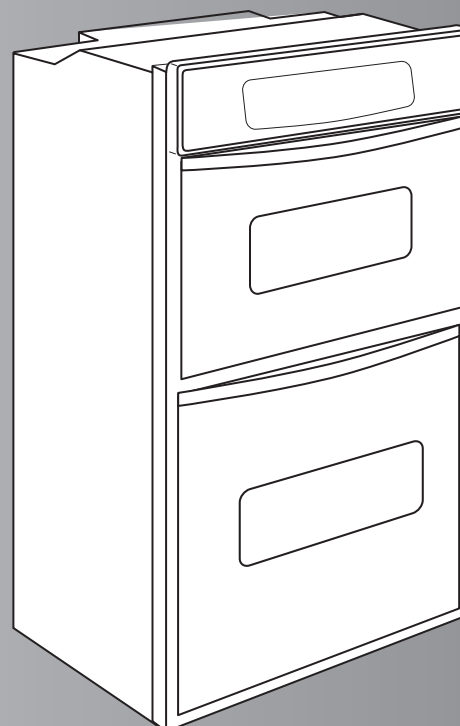
Téléphoner dans les cas suivants :

- Pour une question au sujet de l'installation ou de l'utilisation du four encastré.
- Pour obtenir les coordonnées d'une agence de service agréée.

Lors de la prise de contact, il sera nécessaire de communiquer l'information suivante :

- Le numéro de modèle du four encastré.
- Le numéro de série du four encastré.

On trouve ces deux numéros sur la plaque signalétique, située sur le châssis du four à micro-ondes.



Fours jumelés encastrés 68,6 cm (27 po) et 76,2 cm (30 po) Combinaison four thermique/ micro-ondes

IMPORTANT :
**Lire et conserver
ces instructions.**

N° de pièce 8300650

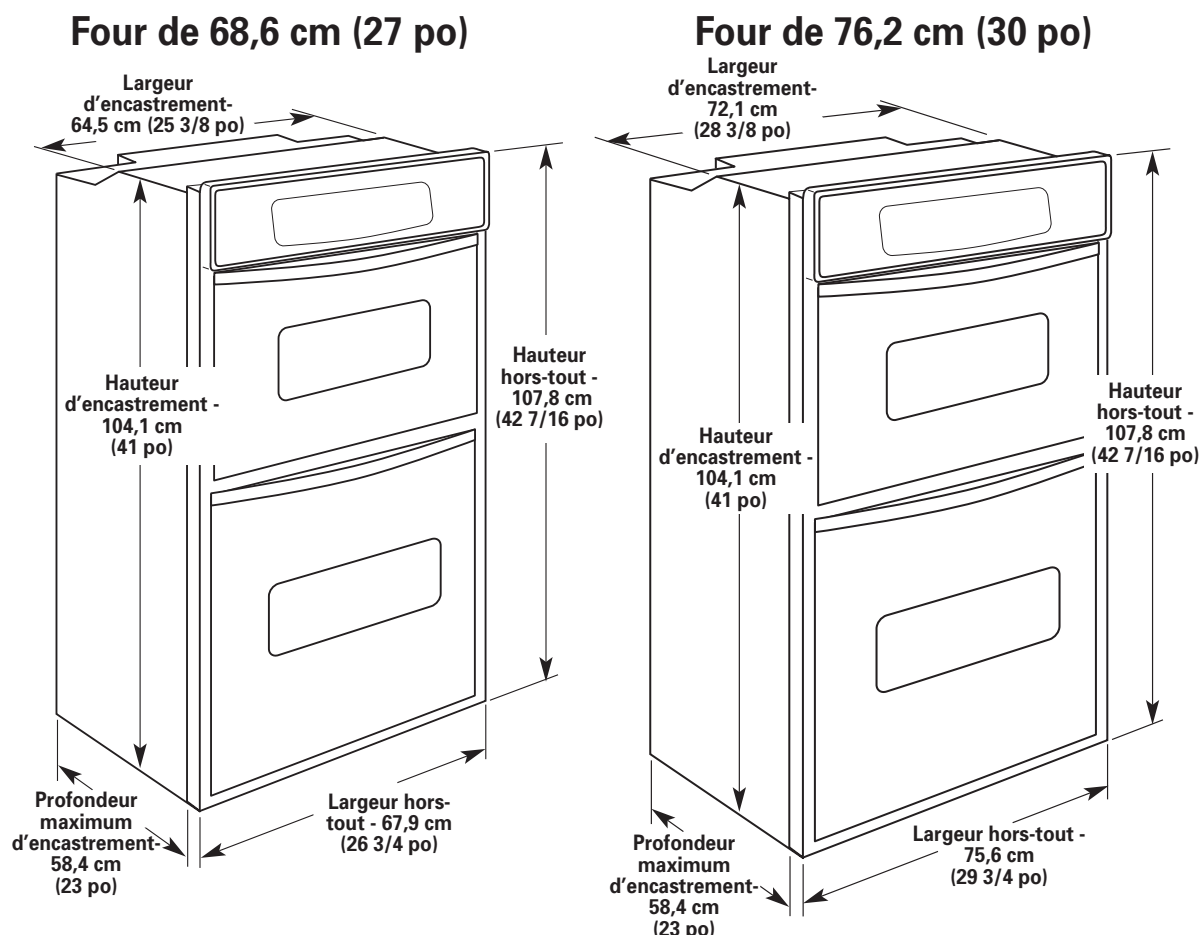
IMPORTANT :

Installateur : Remettre les instructions d'installation au propriétaire.

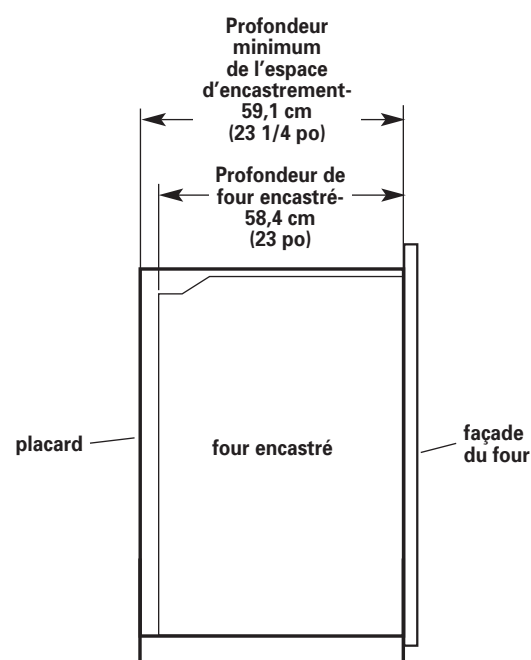
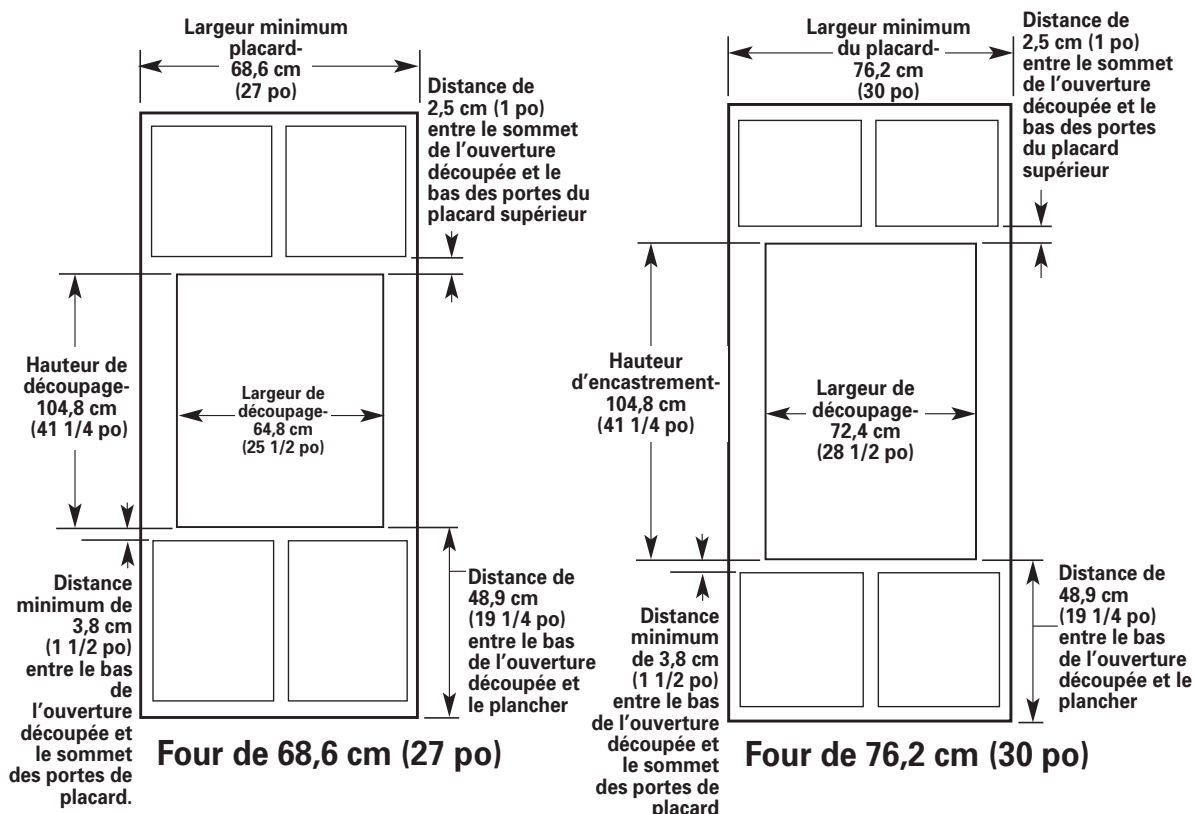
Propriétaire : Conserver les instructions d'installation pour consultation ultérieure.

Conserver les instructions d'installation pour consultation par l'inspecteur local des installations électriques.

Dimensions des produits



Dimensions de découpage



Vue latérale du placard

Des trousse de garnitures pour remplir le placard sont disponibles de votre marchand. Utiliser une trousse de couleur assortie si le four est plus petit que l'ouverture de l'encastrement.

Garniture de 19,8 cm (7 13/16 po) de hauteur pour four de 68,6 cm (27 po)

- Noir — 4378950
- Blanc — 4378951
- Amande — 4378952

Garniture de 12,2 cm (4 13/16 po) de hauteur pour four de 76,2 cm (30 po)

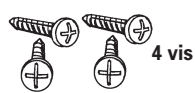
- Noir — 4378944
- Blanc — 4378945
- Amande — 4378946

Outillage nécessaire :



tournevis Phillips

Pièces fournies :



4 vis

On peut obtenir un exemplaire des normes mentionnées auprès de :

* National Fire Protection Association
Batterymarch Park
Quincy, Massachusetts 02269

** CSA International
8501 East Pleasant Valley Road
Cleveland, Ohio 44131-5575

Avant de commencer...

Votre sécurité et celle des autres est très importante.

Nous donnons de nombreux messages de sécurité importants dans ce manuel, et sur votre appareil ménager. Assurez-vous de toujours lire tous les messages de sécurité et de vous y conformer.



Voici le symbole d'alerte de sécurité.

Ce symbole d'alerte de sécurité vous signale les dangers potentiels de décès et de blessures graves à vous et à d'autres.

Tous les messages de sécurité suivront le symbole d'alerte de sécurité et le mot «DANGER» ou «AVERTISSEMENT». Ces mots signifient :

! DANGER

Risque possible de décès ou de blessure grave si vous ne suivez pas immédiatement les instructions.

! AVERTISSEMENT

Risque possible de décès ou de blessure grave si vous ne suivez pas les instructions.

Tous les messages de sécurité vous diront quel est le danger potentiel et vous disent comment réduire le risque de blessure et ce qui peut se produire en cas de non-respect des instructions.

Important : Respecter les prescriptions de tous les codes et règlements en vigueur.

C'est au propriétaire qu'incombe la responsabilité d'une installation correcte. Demander à un technicien qualifié d'effectuer l'installation de ce four.

Le four devrait toujours être installé à un emplacement éloigné des sources de courant d'air, comme fenêtre, porte et bouche de chauffage.

Respecter les dimensions indiquées pour l'espace d'encastrement dans les placards. Les dimensions indiquées incluent les valeurs minimales des dégagements de sécurité.

L'espace d'encastrement doit constituer une enceinte fermée autour de la partie encastrée du four.

Une liaison électrique à la terre est nécessaire. Voir "Alimentation électrique".

La boîte de connexion électrique devrait être située à 7,6 cm (3 po) maximum sous la surface de support lorsque le four est installé dans un placard mural. L'ouverture pour le câblage devrait être dans le coin arrière droit ou gauche. Pour une installation sous un comptoir, on recommande que la boîte de connexion soit située dans un placard adjacent, à droite ou à gauche. Lors de l'installation de la boîte de connexion sur le mur arrière derrière le four, il faut que la boîte de connexion soit encastrée et située dans un angle supérieur ou inférieur du placard, à gauche ou à droite.

La surface d'appui du four DOIT être solide, de niveau et à ras avec le fond de l'ouverture découpée dans le placard.

! AVERTISSEMENT

Exposition excessive à l'énergie des micro-ondes

Ne pas tenter de faire fonctionner le four à micro-ondes lorsque la porte est ouverte.

Ne pas modifier ou empêcher le fonctionnement correct des dispositifs d'interverrouillage et de sécurité.

Ne placer aucun objet entre la surface frontale du four à micro-ondes et la porte.

Ne pas laisser des souillures ou résidus de produits de nettoyage s'accumuler sur les surfaces d'étanchéité de la porte du four à micro-ondes.

Ne pas faire fonctionner le four à micro-ondes s'il est endommagé.

Ne pas faire fonctionner le four à micro-ondes si :

- la porte est déformée.
- les charnières ou les loquets sont brisés ou mal fixés.
- les joints de la porte, les surfaces d'étanchéité ou la vitre sont brisés.

La porte du four à micro-ondes doit bien fermer pour un fonctionnement sûr.

Seul un technicien qualifié doit exécuter les réglages et réparations sur le four à micro-ondes. Après une réparation, demander à un technicien qualifié de déterminer le niveau de fuite du four à micro-ondes.

Ne pas utiliser le four à micro-ondes dans des applications commerciales. Ce four à micro-ondes est conçu uniquement pour le service familial.

L'utilisation du four à micro-ondes en violation des instructions ci-dessus peut susciter une exposition excessive à l'énergie des micro-ondes.

C'est au client qu'incombe la responsabilité de :

Confier l'installation à un technicien qualifié.

Veiller à ce que l'installation électrique soit réalisée adéquatement et en conformité avec les prescriptions du Code national des installations électriques ANSI/NFPA 70 - dernière édition*, ou norme C22.1-1982 - Code canadien de l'électricité et C22.2 n° 01982 (ou édition la plus récente)**, et aux prescriptions des codes et règlements locaux.

Spécifications de l'installation électrique

Si on utilise un conducteur distinct de liaison à la terre lorsque le code local le permet, il est recommandé qu'un électricien qualifié vérifie que le calibre du conducteur et l'itinéraire de liaison à la terre sont conformes aux prescriptions des codes locaux.

Ne PAS utiliser une tuyauterie de gaz pour la liaison à la terre.

En cas de doute quant à la qualité de liaison à la terre, consulter un électricien qualifié.

Ne PAS incorporer un fusible dans le conducteur neutre ou le conducteur de liaison à la terre.

Ce four doit être raccordé à un système de câblage permanent, relié à la terre.

Il faut que le four soit raccordé à une source d'alimentation électrique à la tension et à la fréquence spécifiées sur la plaque signalétique (on trouve la plaque signalétique sur la porte du four ou sur le châssis du four).

- ☑ Les modèles de 7,3 à 9,6 kW à 240 V (5,5 à 7,2 kW à 208 V) exigent des circuits indépendants de 40 A. Les modèles de 7,2 kW et moins à 240 V (5,4 kW et moins à 208 V) exigent un circuit indépendant de 30 A.
- ☑ On recommande que le circuit d'alimentation soit protégé par un fusible temporisé ou un disjoncteur.
- ☑ Raccorder directement l'appareil au coupe-circuit protégé par fusible (ou au tableau de distribution) au moyen d'un câble flexible à blindage ou gaine non métallique, et à fils de cuivre (avec fil de liaison à la terre).
- ☑ Le câble blindé flexible de l'appareil devrait être connecté directement à la boîte de connexion.
- ☑ Installer un fusible pour chaque fil de phase.
- ☑ Le raccordement à la boîte de connexion **doit** être effectué à travers un connecteur de conduit homologué par UL.
- ☑ Ne PAS couper le conduit.

La taille des fils et des organes de connexion doit correspondre à la puissance de l'appareil et être conforme aux prescriptions du Code national des installations électriques ANSI/NFPA 70 — dernière édition(*, voir page 1) ou norme CSA C22.1-1982 - Code canadien de l'électricité et C22.2 n° 01982 (ou édition la plus récente)** (voir page 1) et aux prescriptions des codes et règlements locaux.

Si le câblage de la résidence est constitué de conducteurs d'aluminium, appliquer les instructions suivantes :

- a) Raccorder les conducteurs d'aluminium aux conducteurs de cuivre au moyen de connecteurs spéciaux (homologation UL) conçus pour connecter ensemble des conducteurs de cuivre et d'aluminium. Appliquer la méthode recommandée par le fabricant des connecteurs électriques.
- b) Les connexions entre les conducteurs d'aluminium et de cuivre doivent satisfaire les prescriptions des codes locaux et des méthodes de câblage acceptées par l'industrie.

Étapes de l'installation

A Préparation

⚠ AVERTISSEMENT

Danger - poids excessif

Les opérations de manutention et d'installation du four devraient être exécutées par deux personnes ou plus. Le non-respect de cette instruction peut être la cause de blessures au dos ou autres blessures.

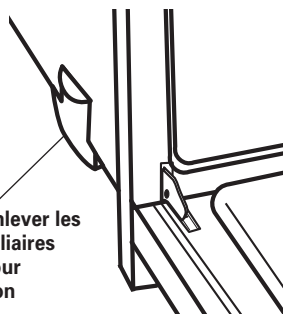
Important : Utiliser les deux mains pour enlever les portes du four.

Ne PAS soulever le four [ar la poignée, ou par une partie quelconque du châssis avant ou de la garniture.

Avant de déplacer le four sur le sol, vérifier que le four est placé sur la base de l'emballage d'expédition, ou bien faire glisser le four sur une feuille de carton ou panneau de bois.

Ne pas enlever les pieds spéciaux installés pour l'expédition dans les angles inférieurs avant du four.

Ne PAS enlever les pieds auxiliaires utilisés pour l'expédition

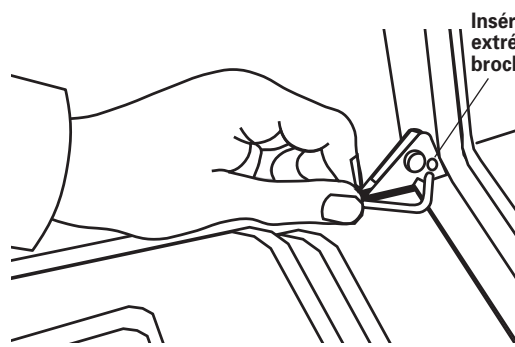


1. Interrompre l'alimentation électrique. Approcher le four de sa position finale.

- Enlever du four et jeter les matériaux d'emballage, rubans adhésifs et films de protection du four.

Ne PAS enlever la base des matériaux d'emballage ou les pieds auxiliaires installés avant l'expédition dans les angles inférieurs avant du four. Ces pieds auxiliaires protègent la garniture inférieure du four jusqu'à son insertion dans l'espace d'encastrement.

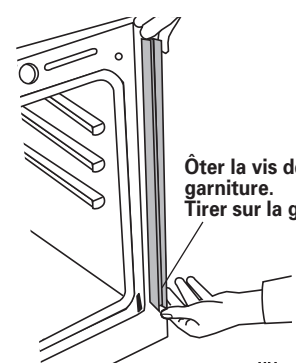
- Retirer du four les grilles et autres pièces. Conserver ces articles à part.



Insérer la petite extrémité de la broche ici.



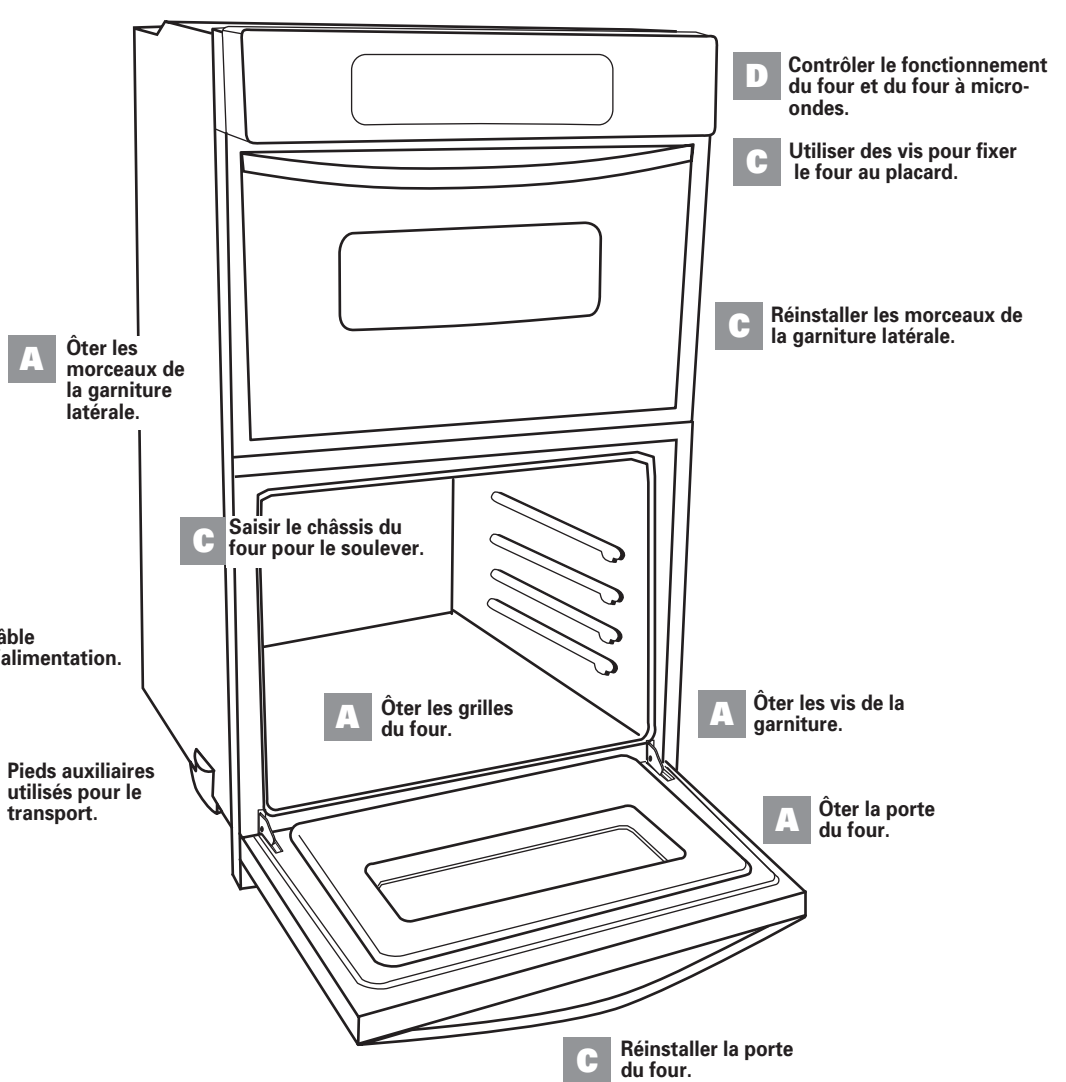
2. Ouvrir complètement la porte du four inférieur. Insérer la petite extrémité d'une broche pour enlever la porte dans chaque charnière de la porte. Saisir la poignée de la porte par le bas et fermer délicatement la porte autant qu'elle peut fermer. Soulever légèrement et saisir le bas de la porte avec l'autre main. Tirer la porte à la base pour l'enlever. Mettre la porte de côté sur une surface protégée.



Ôter la vis de la garniture. Tirer sur la garniture.

Tirer le sommet de la garniture jusqu'en bas.

3. Ôter les vis qui fixent la garniture à droite et à gauche du four. Saisir l'extrémité inférieure de la garniture et tirer pour l'écartier du four. Faire glisser l'extrémité supérieure de la garniture vers le bas pour la séparer du four. Veiller à ne pas rayer les autres surfaces avec les extrémités de la garniture. Conserver les composants de la garniture et les vis à part sur une surface protégée.



A Ôter les morceaux de la garniture latérale.

B Câble d'alimentation.

A Pieds auxiliaires utilisés pour le transport.

C Saisir le châssis du four pour le soulever.

A Ôter les grilles du four.

A Ôter les vis de la garniture.

A Ôter la porte du four.

D Contrôler le fonctionnement du four et du four à micro-ondes.

C Utiliser des vis pour fixer le four au placard.

C Réinstaller les morceaux de la garniture latérale.

C Réinstaller la porte du four.

B Raccordement au circuit électrique

⚠ AVERTISSEMENT



Risque de choc électrique

Avant d'exécuter les raccordements, interrompre l'alimentation électrique au niveau de la boîte de distribution. Relier électriquement le four à la terre. Utiliser un fil en cuivre solide de calibre 8. Le non-respect de ces instructions peut être la cause de choc électrique, d'incendie ou d'accident mortel.

Le câblage de cet appareil installé lors de la fabrication comporte un fil blanc (neutre) et un fil nu de liaison à la terre connecté à la caisse. Ces deux fils sont torsadés ensemble.

4. Faire passer le câble de l'appareil à travers l'ouverture dans le placard. Exécuter les raccordements du câblage électrique.

1. Interrompre l'alimentation électrique.
2. Ôter le couvercle de la boîte de connexion.
3. Connecter le câblage de l'appareil à la boîte de connexion à travers un raccord de conduit homologué par UL.
4. Connecter les deux fils noirs ensemble avec un connecteur de fil.
5. Connecter les deux fils rouges ensemble avec un connecteur de fil.
6. Terminer le raccordement du câblage électrique conformément aux prescriptions des codes et règlements locaux.

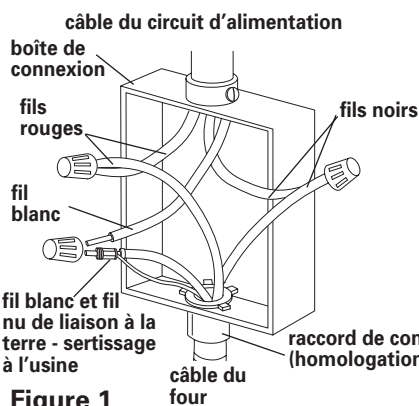


Figure 1

Si le code local le permet, connecter le fil de liaison à la terre de la caisse au fil neutre blanc de la boîte de connexion :

7. Connecter le fil nu et le fil blanc du câble de l'appareil (sertis à l'usine) au fil neutre (blanc) dans la boîte de connexion. Voir Figure 1.
8. Réinstaller le couvercle de la boîte de connexion.

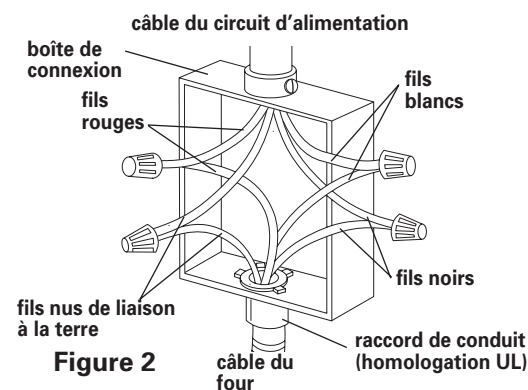


Figure 2

Si le code local NE PERMET PAS le raccordement du conducteur de liaison à la terre de la caisse au fil neutre (blanc) dans la boîte de connexion :

7. Séparer le fil nu et le fil blanc du câble de l'appareil (sertis à l'usine).
8. Connecter le fil blanc du câble de l'appareil au fil neutre (blanc) dans la boîte de connexion. Voir Figure 2.
9. Connecter le fil nu de liaison à la terre de l'appareil à un fil relié à la terre dans la boîte de connexion. Voir Figure 2.
10. Réinstaller le couvercle de la boîte de connexion.

Pour le raccordement à un système à quatre fils :

7. Séparer le fil nu et le fil blanc du câble de l'appareil.
8. Connecter le fil blanc du câble de l'appareil au fil neutre (blanc) dans la boîte de connexion. Voir Figure 2.
9. Connecter le fil nu de liaison à la terre de l'appareil au fil vert de liaison à la terre dans la boîte de connexion. **Ne pas connecter le fil nu de liaison à la terre au fil neutre (blanc) dans la boîte de connexion.** Voir Figure 2.
10. Réinstaller le couvercle de la boîte de connexion.

C Fixation

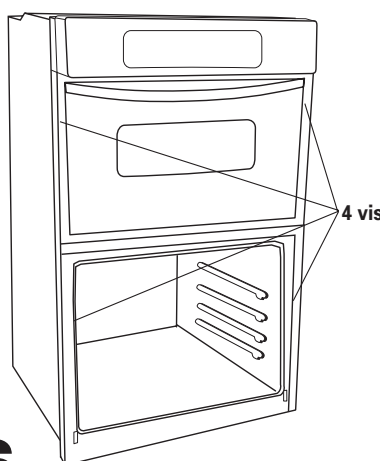
Lors de l'insertion du four dans l'espace d'encastrement, pousser prudemment contre la zone du joint du châssis avant du four.

Ne pas pousser contre les bords externes.

5. Utiliser l'ouverture du four comme zone de saisie; soulever le four pour l'insérer dans l'espace d'encastrement.



Pousser contre la zone du joint du châssis avant pour insérer le four dans l'espace d'encastrement, jusqu'à ce que le pied auxiliaire installé avant l'expédition soit presque en contact avec le placard. Avec un tournevis Phillips, ôter les vis fixant le pied auxiliaire. Ôter et jeter le pied auxiliaire. Pousser complètement le four dans l'espace d'encastrement dans le placard; centrer le four dans l'ouverture découpée dans le placard.



6. Important : Fixer solidement le four au placard avec les vis fournies. Insérer les vis dans les trous des tringles de montage. Ne pas serrer excessivement les vis.

Faire coulisser le sommet de la garniture vers le haut.

Pousser la garniture pour qu'elle se mette en place. Réinstaller la vis de la garniture.

7. Faire coulisser l'extrémité supérieure de chaque tringle de garniture vers le haut dans les rails latéraux du four. Pousser chaque tringle de garniture pour qu'elle s'emboîte à l'extrémité inférieure. Utiliser les vis pour fixer chaque tringle de garniture sur le four. Veiller à ne pas érafler d'autres surfaces avec les extrémités de la garniture.

8. Réinstaller les grilles du four.

9. Réinstaller la porte du four : insérer les extrémités des charnières dans les logements de charnière du châssis du four. Pousser les charnières jusqu'à la position de butée. Ouvrir la porte (on perçoit un mouvement de descente lors de la mise en place) et ramener le loquet de chaque charnière à la position de verrouillage. Manœuvrer la porte dans les deux directions pour vérifier qu'elle peut complètement ouvrir et fermer. Si la porte ne peut effectuer une manœuvre complète de fermeture ou d'ouverture, répéter l'étape de dépose de la porte, puis réinstaller la porte selon les instructions ci-dessus.

D Contrôle du fonctionnement

10. Établir l'alimentation électrique du four. La console de commande s'illumine brièvement. Le symbole « PF » devrait apparaître sur l'afficheur de température.

11. Contrôler le fonctionnement du four inférieur.



Appuyer sur la touche BROIL (gril). Le symbole « BROIL » apparaît sur l'afficheur. Appuyer sur la touche « START » (mise en marche). Vérifier que la porte du four est fermée et que le témoin « ON » (marche) s'illumine sur l'afficheur. Après 2 minutes, ouvrir partiellement la porte du four - on doit percevoir le rayonnement thermique émis par le four. Appuyer sur la touche

« CANCEL » (annulation).

Si le four ne chauffe pas ou si le symbole « F » apparaît sur l'afficheur, contacter le revendeur ou consulter la section « Besoin de service.. » dans les présentes instructions d'installation.

12. Contrôler du fonctionnement du four à micro-ondes.

- Placer dans le four un récipient (pour micro-ondes) contenant une tasse d'eau; bien fermer la porte du four.
- Sélectionner une période de chauffage de «2:00» minutes.
- Appuyer sur la touche «START/ENTER». La lampe à l'intérieur du four à micro-ondes devrait être allumée et le temps de chauffage restant devrait être affiché.
- Lorsque l'afficheur indique «1:00», ouvrir la porte du four à micro-ondes. Le chauffage de l'eau par le four à micro-ondes devrait cesser.

- Bien fermer la porte. La lampe interne du four devrait s'éteindre.
- Appuyer sur la touche «START/ENTER». Le four à micro-ondes devrait commencer l'opération de chauffage de l'eau et la lampe à l'intérieur du four devrait être allumée.
- Laisser le four à micro-ondes exécuter toute la période de chauffage. Une tonalité se fera entendre quatre fois à la fin de la période de chauffage et le four à micro-ondes cessera de fonctionner.
- Ouvrir la porte du four à micro-ondes et retirer soigneusement le contenant. L'eau dans le contenant devrait être chaude.

Pour pouvoir utiliser ce nouveau four à son niveau maximum d'efficacité, lire le Guide d'utilisation et d'entretien. Conserver les instructions d'installation et le Guide à proximité du four pour pouvoir facilement les consulter.

Si le four ne fonctionne pas...

- Déterminer si le disjoncteur est ouvert ou si le fusible est grillé.
- Consulter la section Diagnostic dans le Guide d'utilisation et d'entretien.

Si une assistance est nécessaire...

Pour toute question au sujet de l'utilisation, du nettoyage ou de l'entretien du four :

- Consulter le **Guide d'utilisation et d'entretien**.
- Contacter le Centre d'assistance à la clientèle; consulter le Guide d'utilisation et d'entretien ou contacter le concessionnaire chez qui l'appareil a été acheté pour obtenir le numéro d'appel (sans frais). On trouve les coordonnées des concessionnaires dans l'annuaire Pages jaunes local à la rubrique "Appareils ménagers - gros - service et réparation".

Si une intervention d'entretien est nécessaire...

Contactez une entreprise de service agréée pour maintenir la qualité incorporée à ce four. Pour obtenir le nom et le numéro de téléphone d'une entreprise de service agréée :

- Contacter le concessionnaire chez qui le four a été acheté; ou
- Consulter l'annuaire Pages jaunes local à la rubrique «Appareils ménagers - gros - service et réparation» pour trouver une entreprise de service agréée; ou
- Contacter le Centre d'assistance à la clientèle. On trouve le numéro d'appel (sans frais) du Centre dans le Guide d'utilisation et d'entretien.

Lors de la prise de contact, vous devrez communiquer l'information suivante :

- Le numéro de modèle du four encastré.
- Le numéro de série du four encastré.

On trouve ces deux numéros sur la plaque signalétique située sur la porte du four ou sur le châssis du four.