



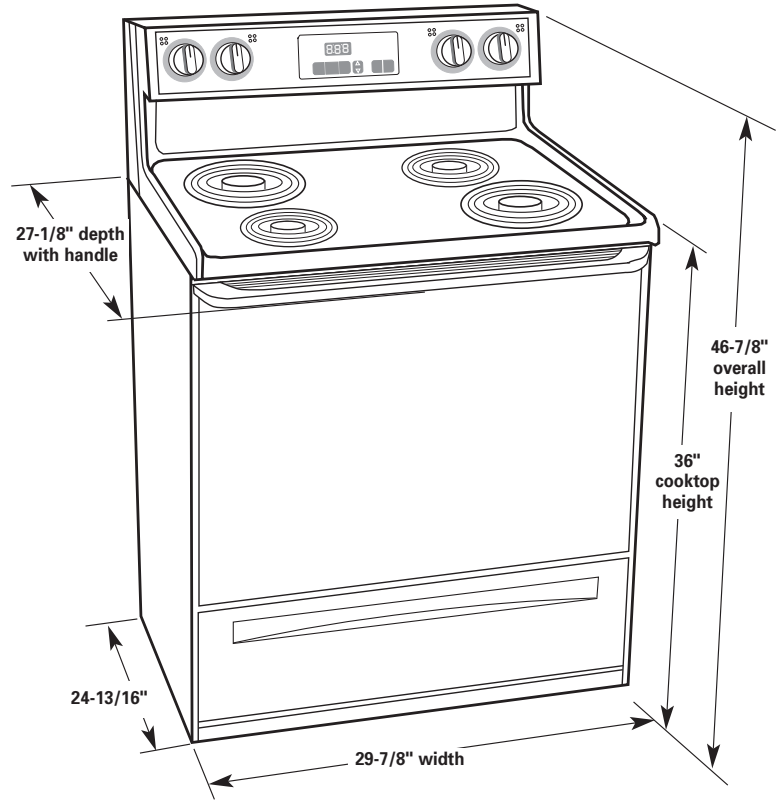
# 30" Freestanding Electric Range

## PRODUCT MODEL NUMBERS

|         |         |
|---------|---------|
| TES365H | TEP325K |
| TES366H | TEP325G |
| TES374H | TES325K |
| TEP315K | TES355K |

**Electrical:** Use 8-gauge solid copper wire. A four-wire or three-wire, single-phase, 120/240-volt, 60-Hz, AC-only, electrical supply is required on a 40-ampere circuit, (or, if specified on the model/serial rating plate, a four-wire or three-wire, single-phase 120/208-volt, 60 Hz, AC-only electrical supply is available, a 40-ampere circuit), fused on both sides of the line. A time-delay fuse or circuit breaker is recommended. The model/serial rating plate is located on the oven frame behind the drawer.

## OVERALL DIMENSIONS



## CABINET OPENING DIMENSIONS

