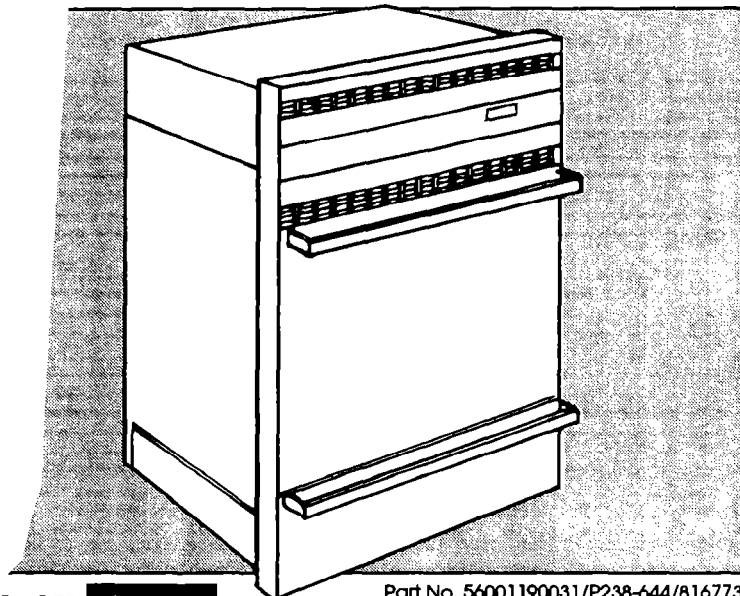


Installation Instructions



Part No. 56001190031/P238-644/816773

IMPORTANT:
Read and save
these instructions.

24" Gas Built-in Self-cleaning Wall Oven

Important:

Installer: Leave Installation Instructions with the homeowner.

Homeowner: Keep Installation Instructions for future reference.

Save Installation Instructions for local electrical inspector's use.



Before you start...

Installation must be performed by a qualified installer.

Proper installation is your responsibility. Make sure you have everything necessary for correct installation. It is the responsibility of the installer to comply with the installation clearances specified on the serial/rating plate. The serial/rating plate is located behind the oven door on the front frame.

Proper gas supply connection must be available. See Gas supply requirements, Panel B.

Important: Observe all governing codes and ordinances. Failure to meet codes and ordinances could lead to fire or electrical shock hazard.

Grounded electrical outlet is required. See Electrical requirements, Panel B.

Recessed installation area must provide complete enclosure around the recessed portion of oven.

WARNING: If the information in this manual is not followed exactly, a fire or explosion may result causing property damage, personal injury or death.

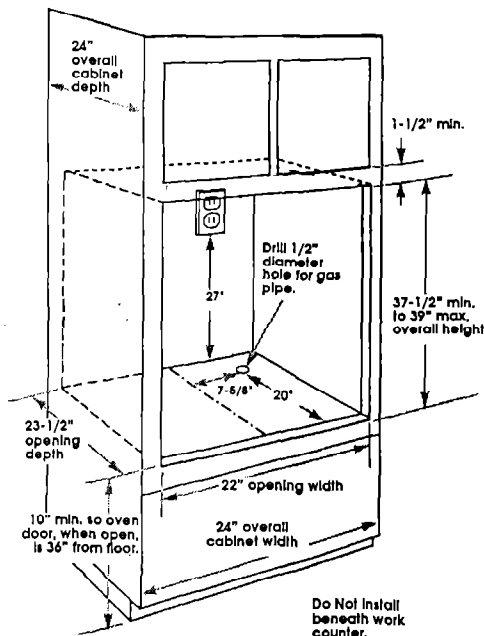
— Do not store or use gasoline or other flammable vapors and liquids in the vicinity of this or any other appliance.

— WHAT TO DO IF YOU SMELL GAS

- Do not try to light any appliance.
- Do not touch any electrical switch; do not use any phone in your building.
- Immediately call your gas supplier from a neighbor's phone. Follow the gas supplier's instructions.
- If you cannot reach your gas supplier, call the fire department.

— Installation and service must be performed by a qualified installer, service agency or the gas supplier.

1-1/2 cavity cabinet opening:



Do Not install beneath work counter.

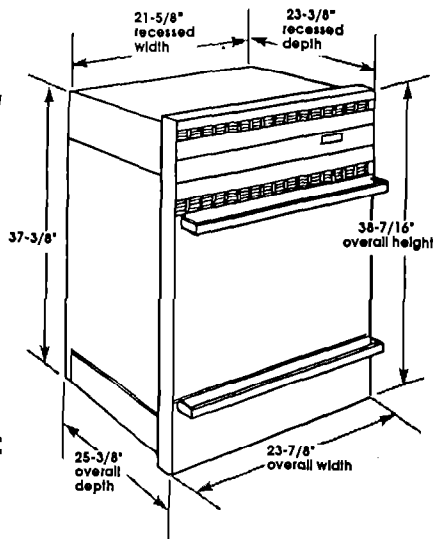
Do Not pinch the power supply cord between the oven and the wall.

NOTE: Clearances specified are for combustible walls and materials that have a density of 20 or more pounds per cubic foot. No evaluation of clearances has been made for installation adjacent to materials that are less than 20 pounds per cu. ft. or to plastic tiles and sheeting.

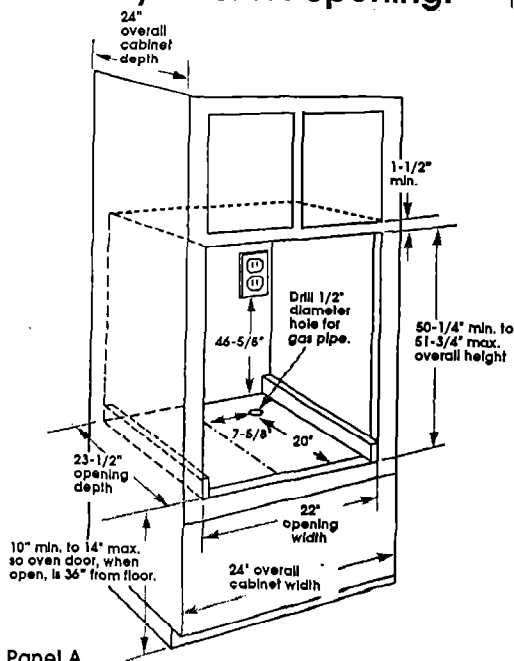
Cabinet opening dimensions that are shown must be used. Given dimensions provide 0" clearance. This oven is designed to fit a 1-1/2 cavity cabinet opening. It can also be installed in an existing 2 cavity opening with some cabinet and product modifications. Follow instructions and use cabinet dimensions for your size cavity. Dimensions given are for wall oven sitting on cabinet floor. Cabinet floor must be able to support 150 pounds and be solid and level.

Check location where oven will be installed. The oven should be located away from strong draft areas, such as windows, doors and strong heating vents or fans. The oven should be located for convenient use in the kitchen. Allow 19-3/8" min. clearance in front of oven to completely open oven door.

ALL OPENINGS IN THE WALL OR FLOOR WHERE THE OVEN IS TO BE INSTALLED MUST BE SEALED.



2 cavity cabinet opening:



Panel A

WARNING

Fire Hazard

Do Not obstruct the flow of combustion and ventilation air.

Electrical Shock Hazard

It is the customer's responsibility:

- To contact a qualified electrical installer.
 - To assure that electrical installation is adequate and in conformance with National Electrical Code, ANSI/NFPA 70-latest edition, and all local codes and ordinances.
- Failure to do so could result in fire, electrical shock or other personal injury.

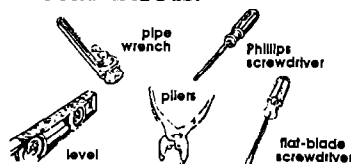
Mobile home installation

The installation of this oven must conform to the Manufactured Home Construction and Safety Standards, Title 24 CFR, Part 3280 (formerly the Federal Standard for Mobile Home Construction and Safety, Title 24, HUD Part 280) or when such standard is not applicable, the Standard for Manufactured Home Installation 1982 (Manufactured Home Sites, Communities and Setups), ANSI A225.1-1987, or latest edition, or with local codes.

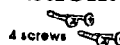
Copies of the standards listed may be obtained from:

- National Fire Protection Association
Batterymarch Park
Quincy, Massachusetts 02269
- American Gas Association
1515 Wilson Boulevard
Arlington, Virginia 22209

Tools needed for installation:



Parts supplied for installation:



Gas supply requirements

Observe all governing codes and ordinances.

WARNING

Fire Hazard

- Oven must be connected to a regulated gas supply.
- L.P. gas supply must Not exceed a pressure of 14" water column. This must be checked by a qualified technician before installing this oven.
- Do Not use an open flame to test for leaks from gas connections.
- New A.G.A.-approved, flexible gas line should be used when local codes permit.

Failure to follow these instructions could result in a fire, explosion or personal injury.

A. This installation must conform with local codes and ordinances. In the absence of local codes, installations must conform with American National Standard, National Fuel Gas Code ANSI Z233.1-latest edition**.

B. Input ratings shown on the serial/rating plate are for elevations up to 2,000 feet. For elevations above 2,000 feet, ratings should be reduced at a rate of 4% for each 1,000 feet above sea level.

C. This oven is equipped for use with NATURAL and L.P. gases. It is design-certified by A.G.A. for NATURAL and L.P. gases with appropriate conversion. The serial/rating plate, located behind the oven door on the oven frame, has information on the type of gas that can be used. If this information does not agree with the type of gas available, check with the local gas supplier. See Panel E for L.P. gas conversion instructions.

D. Provide a gas supply line of 3/4" rigid pipe to the oven location. A smaller size pipe on long runs may result in insufficient gas supply. Pipe-joint compounds made for use with L.P. gas must be used. With L.P. gas, piping or tubing size can be 1/2" minimum. L.P. gas suppliers usually determine the size and materials used on their system.

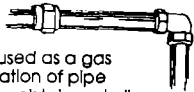


E. If local codes permit, A.G.A.-approved flexible metal tubing is recommended for connecting this oven to the gas supply line. Do Not kink or damage the flexible tubing when moving the oven. A 1/2" male pipe thread is needed for connection to pressure regulator female pipe threads.



F. The supply line shall be equipped with an approved shutoff valve. This valve should be located in the same room as the oven and should be in a location that allows ease of opening and closing. Do Not block access to shutoff valve.

The oven is equipped with an oven burner shutoff valve located on the oven manifold.



G. If rigid pipe is used as a gas supply line, a combination of pipe fittings must be used to obtain an in-line connection to the oven. All strains must be removed from the supply and fuel lines so oven will be level and in line.

H. The regulator must be checked at a minimum of 1-inch water column above the set pressure. The inlet pressure to the regulator should be as follows for operation:

NATURAL GAS:

- Set pressure 4 inches
- Maximum pressure 14 inches

L.P. GAS:

- Set pressure 10 inches
- Maximum pressure 14 inches

I. Line pressure testing:

Testing above 1/2 lb psi (gauge)
The oven and its individual shutoff valve must be disconnected from the gas supply piping system during any pressure testing of that system at test pressures greater than 1/2 psig (3.5 kPa).

Testing at 1/2 lb psi (gauge)

The oven must be isolated from the gas supply piping system by closing its individual manual shutoff valve during any pressure testing of the gas supply piping system at test pressures equal to or less than 1/2 psig (3.5 kPa).

Electrical requirements

WARNING

Electrical Shock Hazard

- Electrical ground is required on this appliance.
- Improper connection of the equipment-grounding conductor can result in fire, electrical shock or other personal injury.
- Check with a qualified electrician if you are in doubt as to whether the appliance is properly grounded.
- Do Not modify the power supply cord plug. If it does not fit the outlet, have a proper outlet installed by a qualified electrician.
- Do Not use an extension cord with this appliance.
- Do Not have a fuse in the neutral or grounding circuit. A fuse in the neutral or grounding circuit could result in electrical shock.

Failure to follow these instructions could result in a fire, electrical shock or other personal injury.

A 120-volt, 60-Hz, AC-only, 15-ampere, fused electrical supply is required. A time-delay fuse or circuit breaker is recommended. It is recommended that a separate circuit serving only this appliance be provided.

Electronic ignition systems operate within wide voltage limits but proper grounding and polarity is necessary. In addition to checking that the outlet provides 120-volt power and is correctly grounded, the outlet must be checked by a qualified electrician to see if it is wired with correct polarity.

A wiring diagram is included in the literature package. The wiring diagram is also located behind the control panel.

Recommended grounding method

Do Not, under any circumstances, remove the power supply cord grounding prong.

For your personal safety, this appliance must be grounded. This appliance is manufactured with a power supply cord having a 3-prong grounding plug. To minimize possible shock hazard, the cord must be plugged into a mating, 3-prong, grounding-type wall receptacle, grounded in accordance with the National Electrical Code, ANSI/NFPA 70-latest edition*, and all local codes and ordinances. See Figure 1. If a mating

wall receptacle is not available, it is the personal responsibility and obligation of the customer to have a properly grounded, 3-prong, wall receptacle installed by a qualified electrician.

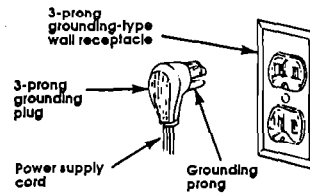


Figure 1

Temporary grounding method

This, however, is not recommended.

Do Not, under any circumstances, remove the power supply cord grounding prong.

Grounding assembly attached to grounded, metal, cold water pipe with paint removed.

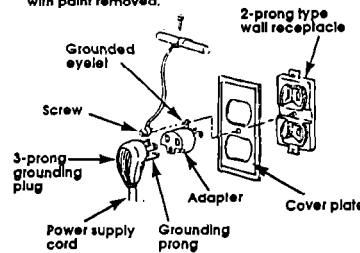


Figure 2

Electrical ground is required on this appliance.

If changing and properly grounding the wall receptacle is impossible and where local codes permit (consult your electrical inspector), a temporary adapter may be plugged into the existing 2-prong wall receptacle to mate with the 3-prong, power supply cord.

If this is done, you must connect a separate copper grounding wire (No.-16 minimum) to a grounded, metal, cold water pipe*** by means of a clamp and then to the external grounding connector screw. Do Not ground to a gas supply pipe. Do Not connect to electrical supply until the appliance is permanently grounded. See Figures 2 and 3.

*** Grounded, metal, cold water pipe must have metal continuity to electrical ground and not be interrupted by plastic, rubber, or other electrical insulating connectors such as hoses, fittings, washers or gaskets (including water meter or pump). Any electrical insulating connector should be jumped as shown with a length of No.-4 copper wire securely clamped to bare metal at both ends.

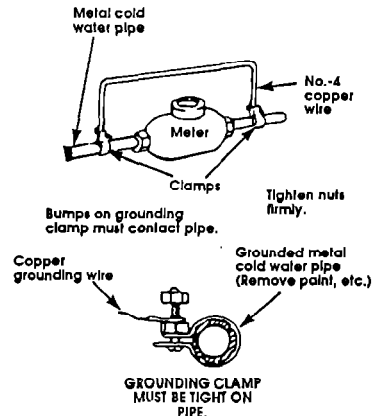


Figure 3

Now start...

With oven in kitchen.

1. Remove racks and other parts from inside oven and storage drawer. Remove air grille taped to side of oven.

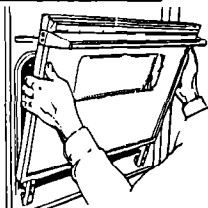
2. Remove shipping materials, tape and protective film from oven. Do Not remove shipping base at this time.

WARNING

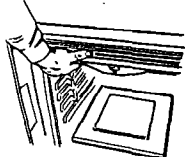
Personal Injury/ Product Damage Hazard

- Use both hands to remove oven door.
- Grasp only the sides of the oven door.
- Do Not use the handle or any portion of the front frame or trim for lifting.
- Because of the weight and size of the oven, two or more people are needed to move and safely install this oven.

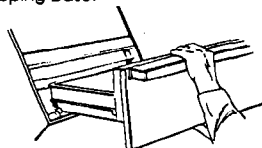
Failure to properly grasp the oven door or to lift the oven properly could result in product damage or personal injury.



3. Open oven door to the first stop position. Grasp the sides of the oven door and pull the door up and off the hinges to remove. Set door aside.



4. Place cardboard or hardboard on floor behind oven. Grasp the oven opening and the upper rear corners and carefully place oven on its back on cardboard or hardboard. Remove and save shipping base.

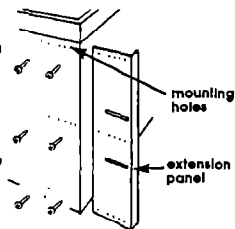


5. Open storage drawer to stop position. Tilt drawer down and continue to pull drawer out of tracks. Set drawer aside on a protected surface.

6. Measure cabinet opening height. The recessed oven height is 37-1/2 inches. If the cabinet opening height is larger, the oven extension panels located on the sides of the oven can be adjusted. If no height adjustment is necessary, go to Step 8.

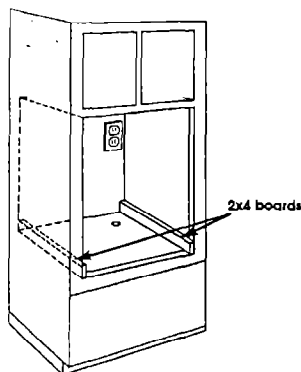
7. To adjust oven height for cabinet opening 38" to 39":

- Remove 6 screws from right extension panel.
- Each mounting hole position in the oven side changes oven height approximately 1/2". Determine in which hole position the panel will need to be placed.
- Reattach panel in new position with 6 screws.
- Repeat steps for left extension panel.
- Carefully stand oven back up on shipping base or cardboard.



7a. To adjust oven height for 2 cavity or 42-1/8" cabinet opening:

- Remove 6 screws from right extension panel.
- Reattach panel in two mounting hole positions below original position with the 6 screws.
- Repeat steps for left extension panel.
- Carefully stand oven back up on shipping base or cardboard.
- Place one 2 x 4 board (22" length minimum) in an upright position against the right side of cabinet so that end of board is flush with cabinet front. Check that board is level from front to back. Secure board to the cabinet floor or wall. Repeat for left side of cabinet.
- Measure width of cabinet opening. The width of the oven is 23-7/8". If opening is wider than the oven, add filler strips to each side of the cabinet opening. The oven must be secured to the cabinet through mounting holes in both sides of oven frame.

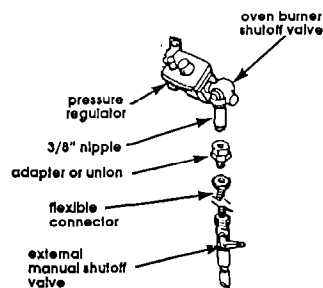


WARNING

Fire Hazard

Do Not make connection too tight. The regulator is die cast. Overtightening may crack the regulator, resulting in a gas leak and possible fire or explosion.

All connections must be wrench-tightened.



8. Assemble the flexible connector from the gas supply pipe to the pressure regulator in this order: manual shutoff valve, flexible connector, adapter or union, 3/8" nipple and shutoff valve.

CAUTION

Floor Damage

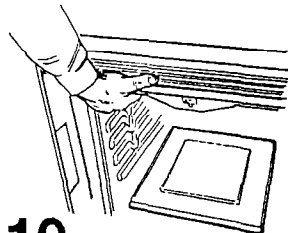
Before moving oven across floor, check that oven is on shipping base or slide oven onto cardboard or hardboard. Failure to follow these instructions may result in damage to the floor covering.

9. Turn power supply off. Move oven close to cabinet. Remove and discard shipping base, cardboard, or hardboard. Thread flexible connector through back of wall oven. Plug the power supply cord into the grounded outlet. See Electrical requirements. Panel B.

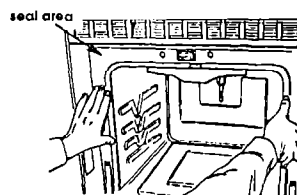
CAUTION

Product Damage

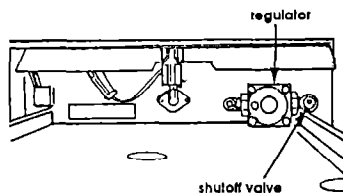
Carefully push against the seal area of the oven front frame when pushing oven into cabinet. Do Not push against the outside edges. Failure to follow this instruction can result in damage to porcelain finish.



10. Lift oven up into cabinet cutout using the oven opening as an area to grip.



Push against seal area of front frame to push oven into cabinet.



11. Use pipe-joint compound made for use with L.P. gas to seal all gas connections. Check that the shutoff valve is open between the regulator and gas valves. If flexible connectors are used, be certain connectors are not kinked.

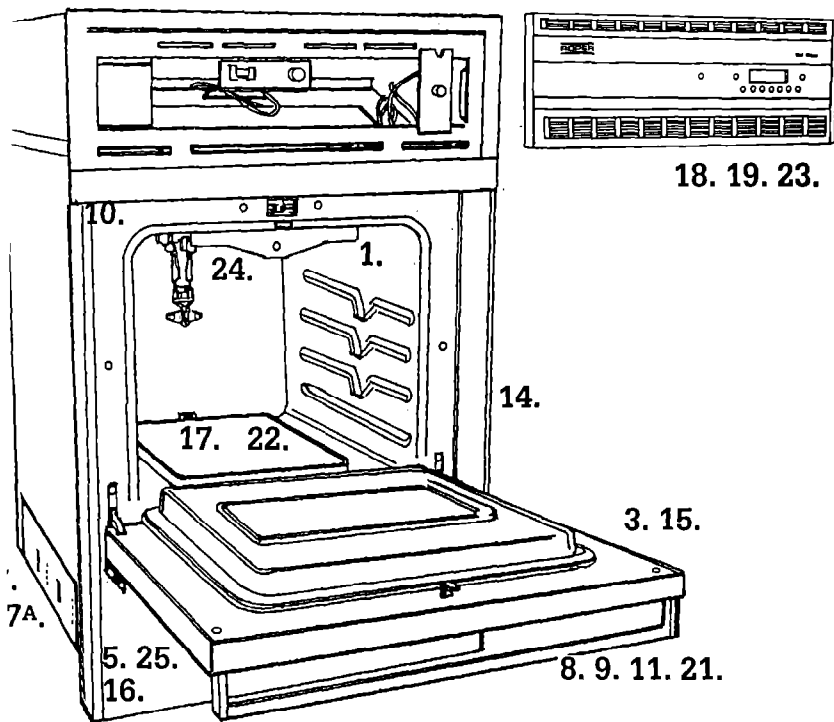
12. Open the shutoff valve in the gas supply line. Wait a few minutes for gas to move through the gas line.

WARNING

Fire Hazard

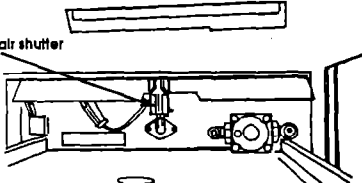
Do Not use an open flame to test for leaks from gas connections. Checking for leaks with a flame may result in a fire or explosion.

13. Use a brush and liquid detergent to test all gas connections for leaks. Bubbles around connections will indicate a leak. If a leak appears, shut off gas valve controls and adjust connections. Then check connections again. NEVER TEST FOR GAS LEAKS WITH A MATCH OR OTHER FLAME. Clean all detergent solution from oven.

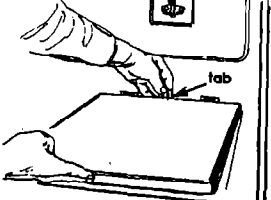


CAUTION
Product Damage
 Do Not Insert any object into the openings of the protective shield that surrounds the ignitor.
 Do not clean the area.
 Failure to follow these instructions could result in product damage.

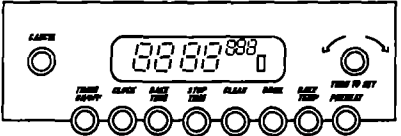
20. Check the oven burner for proper flame. This flame should be 1/2" long, with inner cone of bluish-green, and outer mantle of dark blue, and should be clean and soft in character. No yellow tips, blowing or lifting of flame should occur.



21. If oven flame needs to be adjusted, locate air shutter in the storage drawer opening near center rear of oven. Loosen screw and adjust the air shutter until the proper flame appears. Tighten air shutter screw.

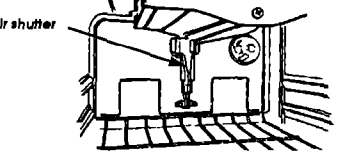


22. Lift tab at the back of the oven bottom. Place oven bottom in oven so that tab can be inserted into slot at the rear of the burner area. Replace oven racks.



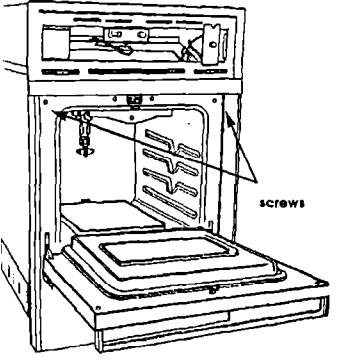
23. Check the operation of the oven broil burner. Push the "Broil" button. "—" should appear in the display. Turn the set knob until "HI" or "LO" appears in the display. "Broil" indicator light will come on. The oven broil burner should light in 50 to 60 seconds. This delay is normal. The oven safety valve requires a certain time before it will open and allow gas to flow.

24. The flame should be 1/2 inch long with inner cone of bluish-green and outer mantle of dark blue. The flame should also be clean and soft in character with no blowing or lifting.



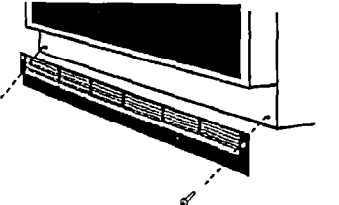
If oven flame needs to be adjusted, locate air shutter in the storage drawer opening near center rear. Loosen screw and adjust the air shutter until the proper flame appears. Tighten air shutter screw.

WARNING
 Personal Injury/
 Product Damage Hazard
 Securely fasten oven to cabinet using the four screws provided. Failure to do so could cause the oven to move or tip during use and result in personal injury or product damage.



14. Center oven in cabinet cutout. Use 2 screws through the mounting holes in the front frame of the oven to secure oven to cabinet (or filler strips). Do Not overtighten screws.

15. Replace oven door by partially fitting door hinges into hinge slots. Pull door slightly towards you, then slide door completely into place. If door does not close, you have not pushed hinges completely into frame.

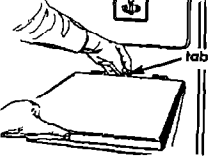


16. Use 2 screws to attach air grille to oven.

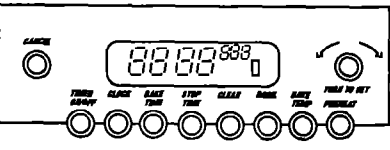
Electronic Ignition System —
 Initial lighting and gas flame adjustments.

Oven burner uses an electronic ignitor in place of a standing pilot. When the oven control knob is turned to the desired setting, a glow bar heats to bright orange and ignites the gas. No sparking occurs and the glow bar remains on while the burner operates.

17. Lift tab located at the center of the rear of the oven bottom. Remove oven bottom.



CAUTION
Power Failure
 Do Not attempt to operate the oven in the event of a power failure. If a power failure should occur during cooking operation, turn the oven control to the off position. Failure to turn the oven control off will result in oven operation upon resumption of power to the unit.



18. Turn on power supply. "8888" should appear in the clock display. Push in the "Clock" button and "Time" will appear in the display. Turn the "Set" knob until the correct time of day appears. The word "Time" will disappear after six seconds.

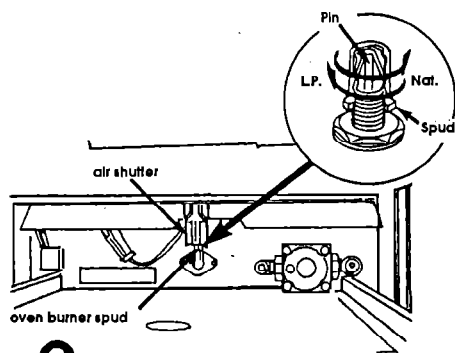
19. Check the operation of the oven burner. Push "Bake" button. "OF" will appear in the display. Turn "Set" knob until 300°F appears in the display. The oven burner should light in 50-60 seconds. This delay is normal. The oven safety valve requires a certain time before it will open and allow gas to flow.

25. Grasp front of storage drawer and place guides into tracks. Lift front of drawer so that drawer will go over drawer stops. Close drawer.

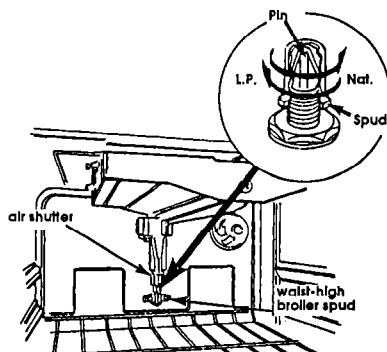
You have just finished installing your new Whirlpool oven. To get the most efficient use from your new oven, read your Whirlpool Use & Care Guide. Keep Installation Instructions and Guide close

Congratulations!

to oven for easy reference. The instructions will make reinstalling your Whirlpool oven in another home as easy as the first installation.



C. Oven burner: Turn the orifice hood down snug onto pin (approximately 2 to 2-1/2 turns). **DO NOT OVERTIGHTEN.** The burner flame cannot be properly adjusted if this conversion is not made. The burner flame should be 1/2" long when air shutter is correctly adjusted.



CAUTION

Product Damage
The ignitor must remain in its shield when removing bar broil burner. Failure to do so could break ignitor.

D. Broil burner:

1. Remove the two screws fastening the front of the broil burner to the oven. Carefully pull the burner downward to remove. Be careful not to break the ignitor coil. Set burner aside.
2. Tighten the orifice hoods down snug on pins (approximately 2 to 2-1/2 turns). **DO NOT OVERTIGHTEN.**
3. Carefully replace the burner, sliding the ignitor wires back into original position.

L.P. Gas Conversion

WARNING

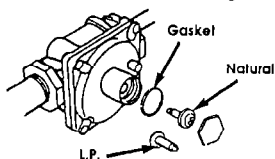
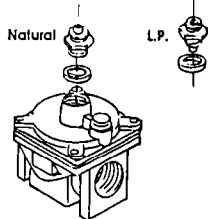
Fire Hazard

- Locate gas supply valve between pressure regulator and gas valve. Shut off gas supply valve in range before converting to L.P. gas.
- Make all oven and broil burner conversions before turning gas supply valve back on. Failure to follow these instructions could result in fire, explosion or personal injury.

Converting to L.P. Gas

Converting to L.P. gas should be done by a qualified installer.

A. Complete Installation Steps 1 - 11 before converting your oven to L.P. gas. Remove oven bottom (See Step 17.). Shut off gas supply valve in oven.



B. Pressure regulator: Remove cap from pressure regulator. Remove gasket and plunger from cap. Reverse plunger direction so that large end is towards the regulator and push it firmly back into the cap. "L.P." should now appear on the exposed end of plunger. Replace gasket and cap. **DO NOT REMOVE PRESSURE REGULATOR.**

Adjusting for proper flame

CAUTION

Product Damage

Electronic ignitors are used to light the lower oven and broil burners. Do Not insert any object into the openings of the shield surrounding the ignitor coil. Do Not clean the area. Failure to follow these instructions could result in product damage.

A. Oven burner: Locate air shutter in the storage drawer opening near center rear of oven. Loosen screw and adjust the air shutter as needed. The flame should be 1/2" long with inner cone of bluish-green and outer mantle of dark blue. The flame should also be clean and soft in character with no blowing or lifting of flame. Tighten air shutter screw.

B. Broil burner:

1. Remove the two screws fastening the front of broil burner to oven. Pull the broil burner forward. Loosen the lock screw on the air shutter located at the rear of the broil burner.
2. Adjust the air shutter as needed. The flame should be 1/2" long with an inner cone of bluish-green and outer mantle of dark blue. The flame also should be clean and soft in character with no blowing or lifting of flame. Tighten the lock screw.

C. Replace the storage drawer, oven bottom, oven racks and oven door. (See Steps 25, 22 and 15 respectively.)

Important Safety Instructions

- Do Not leave children alone in the kitchen when the range is in use. They should not be allowed to sit or stand on any part of the range, as injury or burns could result. Keep children from touching the oven door or glass window when the range is operating, as the door or window could get hot enough to cause serious burns.

CAUTION: Do Not store items or food of interest to children in cabinets above the range. Children could be seriously burned or injured if they climb on range to reach these items.

- Do Not use the oven as a storage space. This creates a potentially hazardous situation.
- The range requires fresh air for proper burner combustion. Do Not obstruct the flow of combustion air at the oven vent nor around the base or beneath the lower front panel of the range. Avoid touching the vent openings or nearby surfaces, as they may become hot.
- Remember, your oven is not designed to heat your kitchen. Such abuse could result in fire and/or damage to the unit and will void your warranty.
- Do Not store or use gasoline or other flammable vapors and liquids near this or any other appliance. Explosions or fires could result.
- Remove broiler tray and other utensils and wipe off excessive spillage before cleaning oven.

If oven does not operate...

- Check that the circuit breaker is not tripped or the fuse blown.
- Check that power supply cord is plugged into wall receptacle.
- Check that the gas supply is turned on.

NOTE:

Refer to Use and Care Guide for operating instructions and cleaning instructions.

WARNING

Personal Injury/ Product Damage Hazard

Do Not step, lean or sit on the oven drawer or door.
Failure to follow these instructions could result in personal injury and/or product damage.

For cleaning and maintenance...

If removing the oven is necessary for cleaning and maintenance, shut off gas supply and electrical supply to the oven.

Open storage drawer to stop position. Tilt drawer down and continue to pull drawer out of tracks. Set drawer aside on a protected surface. Remove the lower air grille and the screws securing the oven to the cabinet. Pull the oven out of the cabinet opening.

Disconnect the gas supply line and unplug the power supply cord. Complete cleaning or maintenance. Plug power supply cord into outlet and make gas connection. Check for leaks. Lift oven back into opening. Secure oven to cabinet with screws. Replace drawer and air grille. Turn on gas and electrical supply to oven.



If you need assistance...

The Whirlpool Consumer Assistance Center will answer any questions about operating or maintaining your range not covered in the installation instructions. The Whirlpool Consumer Assistance Center is open 24 hours a day, 7 days a week. Just dial (800) 253-1301 — the call is free.

When you call, you will need the oven model number and serial number. Both numbers can be found on the serial rating plate located behind the oven door on the front frame.

If you need service...

In the event that your Whirlpool appliance should need service, call the dealer from whom you purchased the appliance or a Whirlpool-authorized service company. A Whirlpool-authorized service company is listed in the Yellow Pages of your telephone directory under "Appliances — Household — Major — Service or Repair". You can also obtain the service company's name and telephone number by dialing, free within the continental United States, the Whirlpool Consumer Assistance Center telephone number, (800) 253-1301. A special operator will tell you the name and number of your nearest Whirlpool-authorized service company.

Maintain the quality built into your Whirlpool appliance — call a Whirlpool-authorized service company.