

# Part Install Instructions

2012 and Later Dishwashers

Sump Gasket

November 2014

---

## Introduction

Some Plastic tub dishwashers have RTV used on the sump gasket. RTV is no longer needed, follow these instructions to replace the sump gasket.

## Tools You Will Need:

- floor protection
- 1/4 " nutdriver
- 5/16" nutdriver
- hinge locking tool (see service guide 31-9226, 31-9231 or 31-9233)

**Step 1 – Dis-connect power to the dishwasher**

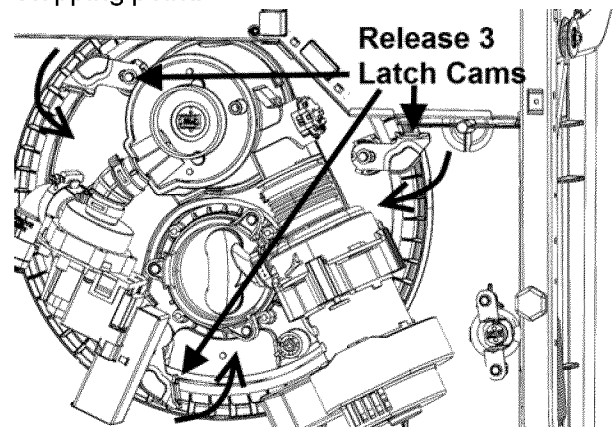
**Step 2 – Remove Toe Kick and complete Door assembly**

**Step 3 – Remove Lower and Upper Racks, Spray Arm, Filters and Conduit Adapter Plate**

**Step 4 – Remove Drain Hose to Drain Pump and Turbidity Sensor wire harness**

**Step 5 – Remove Sump Module**

- There are 3 sump latches that hold the sump secure, they must be released. turn them to stopping point.

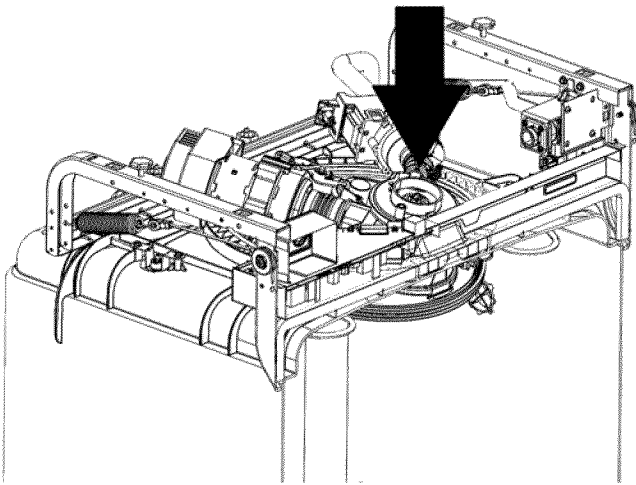


- Some dishwashers have RTV used on the sump gasket. If RTV was used, follow special instructions as listed below.



## Special instructions if Sump Module will not push out of the Tub

- Use floor protection.
- Un-install the dishwasher and place dishwasher on the top.
- Remove safety covers from both wash and drain motors. Disconnect wash, drain motor and heater wire, note routing of harness for proper re-installation.
- Push down on the sump as seen in the below illustration. Support the sump module to prevent it falling into the tub as it comes loose.

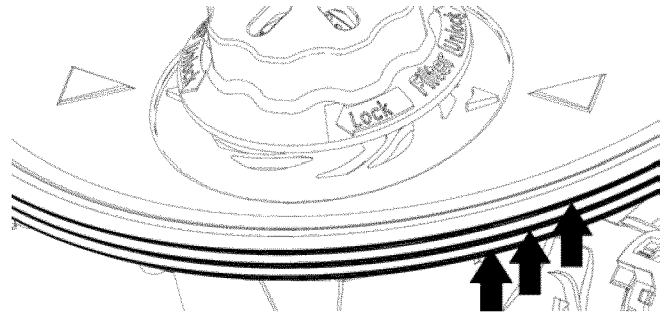


- Once the sump is removed, the dishwasher can be tipped to correct position to complete repairs.

## Step 6 – Remove and Replace Sump Gasket

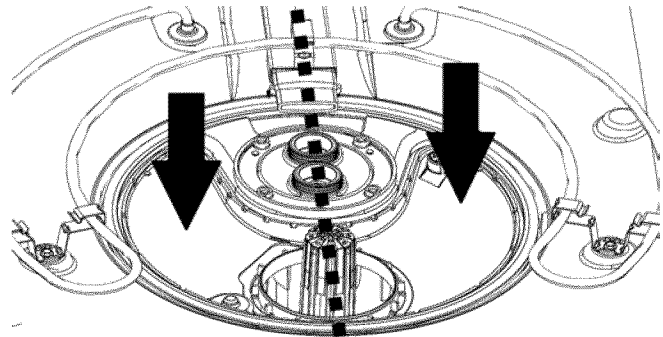
- Remove old sump gasket from the sump module and discard.
- Install new sump gasket to sump module, making sure it's properly seated on the sump module and set assembly aside.
- Thoroughly clean the sump area of the tub of all RTV residue if present. Not cleaning the RTV from the tub will cause the dishwasher to leak.

Stressing or softening the gasket ribs (see below) will make the gasket seat easier. Lubricating with a small amount of rinse agent or water will also ease installation.



## Step 7 – Install Sump Module

- While inserting the sump assembly back into the tub, use care to ensure sump assembly wiring and components are not pinched between sump and tub. The safety shields must be re-installed on the wash and drain pumps.
- Align flood switch and diverter on the sump module, to the main conduit (some adjusting or twisting is OK before pressure is used to seat the sump module, do not use the flood switch to make adjustments). Press firmly into place, using both hands to push down on the sump module.



- Push down firmly on the sump module to seat it in place.
- Latch the sump latch cams, the latch cams must not be used to pull the sump module into place.
- Connect turbidity sensor and high drain loop hose

## Step 8 – Reinstall Conduit Adapter, Filters, lower Spray Arm and Racks

## Step 9 – Reinstall Door, re-apply power and test for leaks