

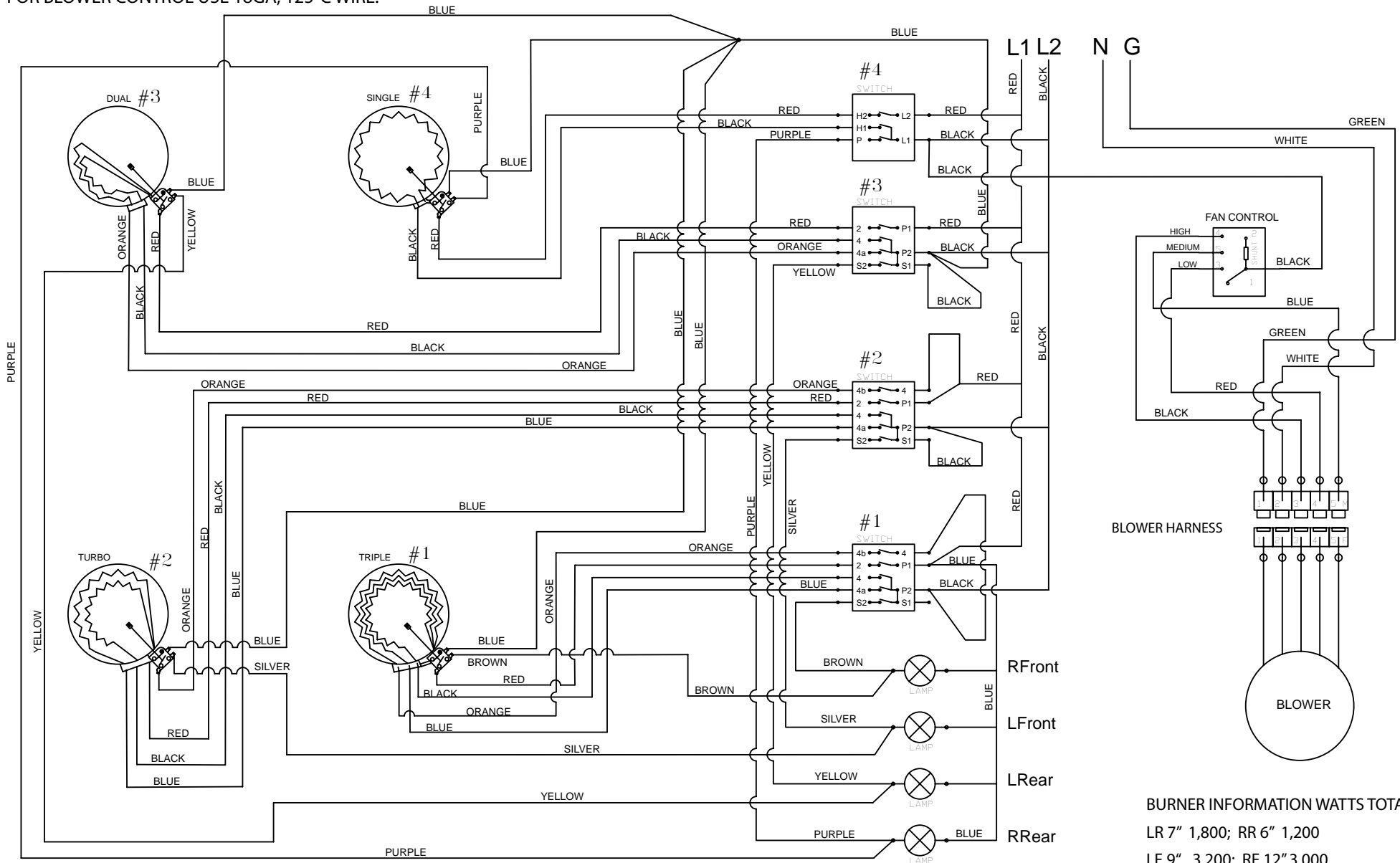
NOTE:

1. FOR SERVICE REPLACEMENT OF POWER LEADS TO RADIANT BURNERS, USE 16 GA, 200°C WIRE.
2. FOR SERVICE REPLACEMENT OF POWER LEADS L1 AND L2, USE 14GA, 125°C WIRE.
3. FOR SERVICE REPLACEMENT OF LAMP POWER AND CONTROL LEADS IN BURNER AREA USE 18GA, 200°C WIRE. FOR ALL OTHER LAMP POWER AND CONTROL LEADS USE 18GA, 125°C WIRE.
4. FOR SERVICE REPLACEMENT OF POWER LEADS USED FOR BLOWER CONTROL USE 18GA, 125°C WIRE.

WIRING DIAGRAM / SCHEMATIC DIAGRAM

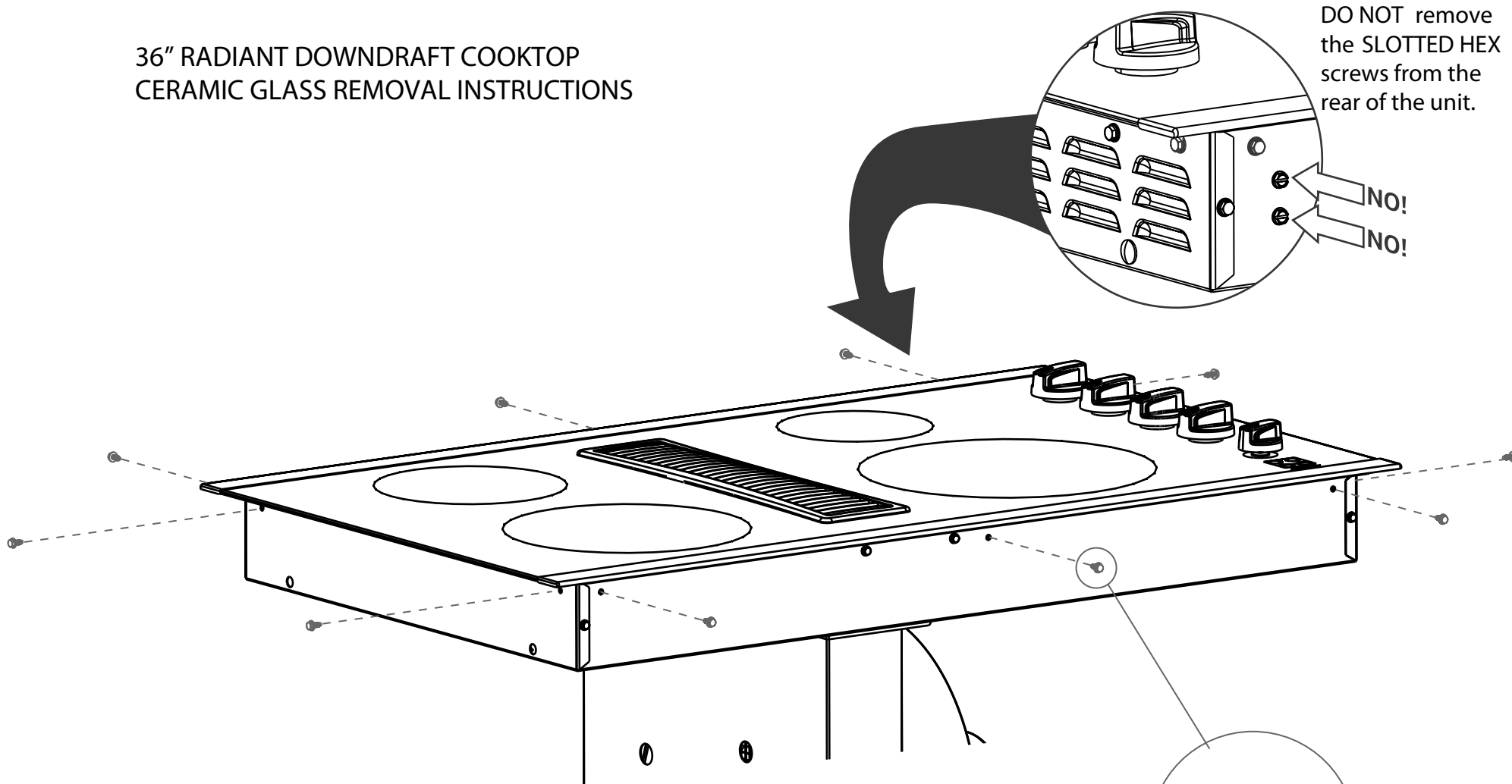
KENMORE DOWNDRAFT RADIANT MODELS: 790.44123110, 790.44129110

WARNING
POWER MUST BE DISCONNECTED
BEFORE SERVICING APPLIANCE



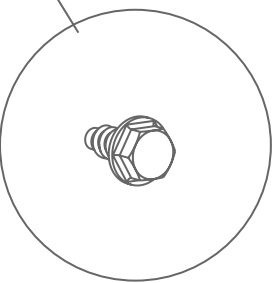
BURNER INFORMATION WATTS TOTAL:
 LR 7" 1,800; RR 6" 1,200
 LF 9" 3,200; RF 12" 3,000

36" RADIANT DOWNDRAFT COOKTOP CERAMIC GLASS REMOVAL INSTRUCTIONS



TO REMOVE THE CERAMIC GLASS FOR SERVICE:

1. REMOVE THE (10) SILVER/ZINC HEX HEAD SCREWS FROM THE PERIMETER OF THE BURNER BOX. DO NOT REMOVE THE BLACK HEX SCREWS OR TWO SLOTTED HEX SCREWS.
2. CAREFULLY LIFT THE GLASS/TRIM ASSEMBLY FROM THE BURNER BOX.
3. PLACE THE GLASS/TRIM ASSEMBLY ON CARDBOARD OR OTHER PROTECTIVE SURFACE TO AVOID DAMAGE TO THE GLASS OR THE COUNTERTOP.



SILVER/ZINC
HEX HEAD SCREW