

RANGE HOOD

Model Number:	UXT5230AD*	UXT5430AD*
	UXT5236AD*	UXT5436AD*
Manufacturer Number:	MK5500	MK5800
Size:	30" & 36"	30" & 36"

INSTALLATION

GUIDE

TABLE OF CONTENTS

Safety Instructions	1
Mounting Heights	2
Ducting	3-7-9
Specifications	4
Installation	5-6



INSTALLATION GUIDE

Read all Instructions before Installing and operating this appliance

MODELS: UXT5230AD* UXT5236AD* UXT5430AD* UXT5436AD*

IMPORTANT SAFETY NOTICE

 **WARNING**

Installation

The installation in this manual is intended for qualified installers, service technicians or persons with similar qualified background. **DO NOT** attempt to install this appliance yourself. Injury could result from installing the unit due to lack of appropriate electrical and technical background.

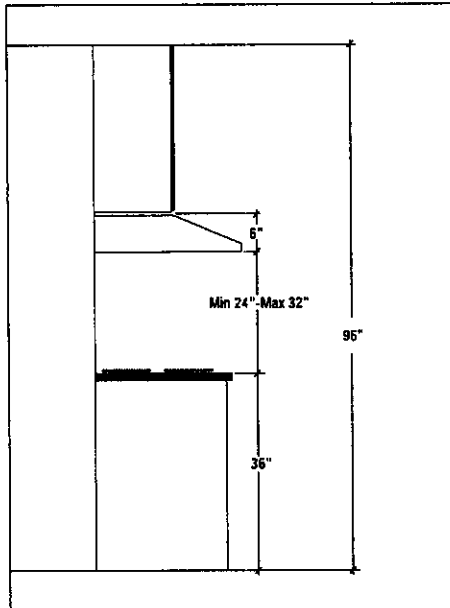
All electrical wiring must be properly installed, insulated and grounded. Overly accumulated grease in old duct work should be cleaned out or duct work should be replaced if necessary to avoid the possibility of a grease fire. Check all joints on duct work to insure proper connection and all joints should be properly taped.

** Please check for latest specification revisions before any custom work or cutouts.*

INSTALLATION

2

MOUNTING HEIGHTS



Minimum mounting height between range top to hood bottom should be no less than 24".

Maximum mounting height should be no higher than 32".

It is important to install the hood at the proper mounting height. Hoods mounted too low could result in heat damage and fire hazard; while hoods mounted too high will be hard to reach and will lose performance and efficiency.

If available, also refer to range manufacturer's height clearance requirements and recommended hood mounting height above range.

**Minimum clearance of 24" hood above range height.*
*** Maximum clearance 32" hood above range height.*

DUCTING

A minimum of 6" round or 3-1/4"x10" rectangular duct must be used to maintain maximum air flow efficiency.

Always use rigid-type metal ducts only. Flexible ducts could restrict air flow by up to 50%.

Also use calculation (on right) to compute total available duct run when using elbows, transitions and caps.

ALWAYS, when possible, reduce the number of transitions and turns. If long duct run is required, increase duct size from 6" to 7 or 8". If a reducer is used, install a long reducer instead of a pancake reducer. Reduce duct size as far away from opening as possible.

If turns or transitions are required: Install as far away from opening and as far apart, between 2, as possible.

Minimum Duct Size:
 Round:
 6" minimum
 Rectangular:
 3-1/4" x 10"

Duct Run Calculation:

Maximum run

6" or 3-1/4" x 10" duct	100 FT
Deduct:	
each 90 Elbow used	15 FT
each 45 elbow used	9 FT
each 6" to 3/14 x 10" transition used	1 FT
each 3/14 x 10" to 6" transition used	5 FT
Side Wall Cap w/ damper	30 FT
Roof Cap	30 FT

e.g.- 1 roof cap, 2x90 elbows, 1 45 elbow used:
 =30' + 30' + 9' =69' used, 31' available for straight duct runs.

INSTALLATION

3

DUCTING

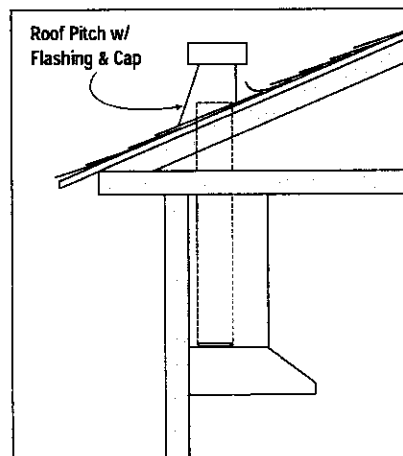
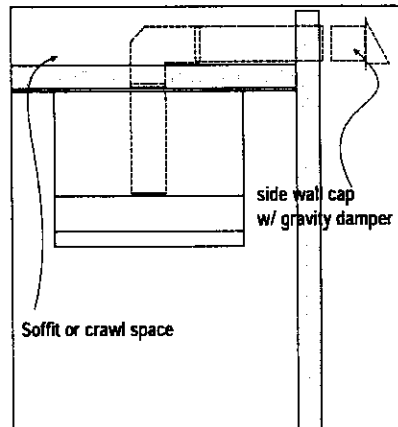
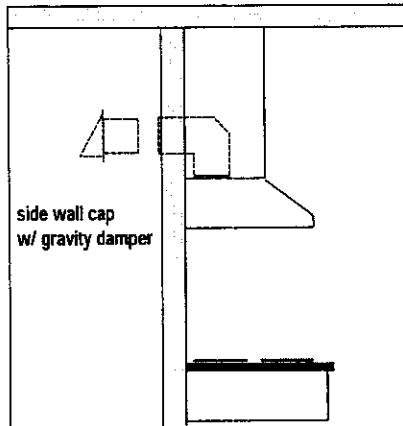
⚠ WARNING FIRE HAZARD

NEVER exhaust air or terminate duct work into spaces between walls, crawl spaces, ceiling, attics or garages. All exhaust must be ducted to the outside.

Use Metal ductwork only.

Fasten all connections with sheet metal screws and tape all joints w/ certified Silver Tape or DuctTape.

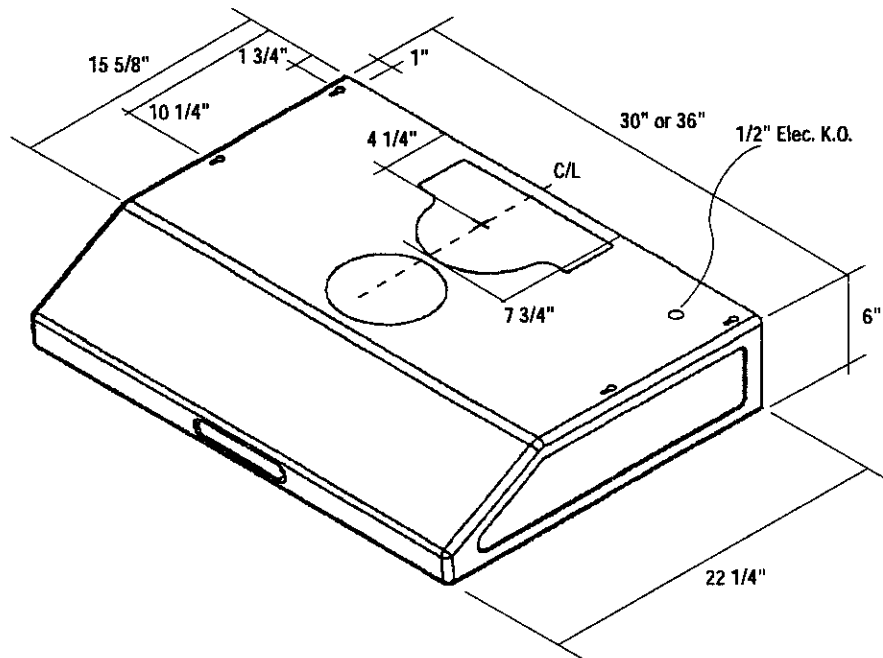
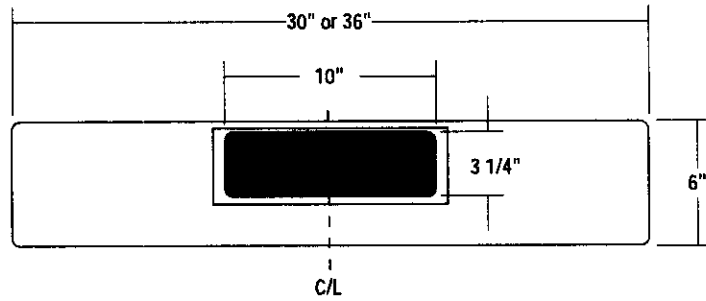
Some Ducting Options:



INSTALLATION

4

SPECIFICATIONS



MOUNTING THE RANGEHOOD

ELECTRICAL

WARNING

All Electrical work must be performed by qualified electrician or person with similar technical know how and background.

For personal safety, remove house fuse or open circuit breaker before beginning installation.

Do not use extension cord or adapter plug with this appliance.

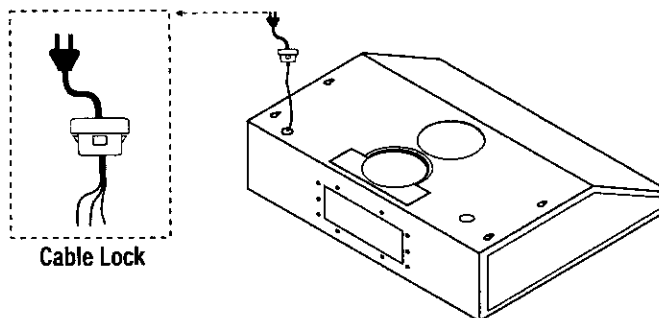
Follow National electrical codes or prevailing local codes and ordinances.

Electrical Supply:

This appliance requires a 120V 60Hz electrical supply, connected to an individual, properly grounded branch circuit, protected by a 15 or 20 ampere circuit breaker or time delay fuse. Wiring must be 2 wire w/ ground. Please also refer Electrical Diagram labeled on product.

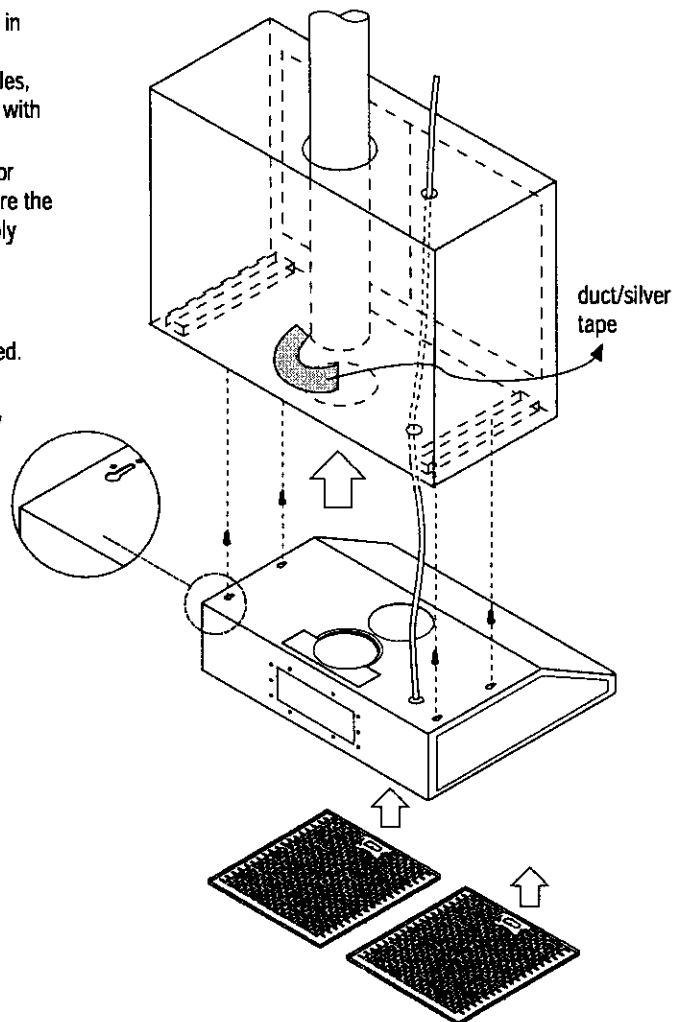
Cable Lock:

A cable locking connector (not supplied) might also required by local codes. Check with local requirements and codes, purchase and install appropriate connector if necessary.



MOUNTING THE RANGEHOOD

1. This range hood is mounted under a kitchen cabinet unit.
2. Select preferred duct location on rear or top of unit. For ductless conversion, no ducting is required.
3. Begin installation by temporarily removing the diffuser and filter panels.
4. Temporarily position the range hood in the desired mounting location. Measure and mark the mounting holes, duct and electrical access locations with a pencil.
5. Drill/cut out the required openings for duct and electrical access; make sure the duct opening is large enough to apply duct tape.
6. Fasten mounting screws onto cabinet as marked, do not tighten, leaving half length of screws exposed.
7. Install electrical.
8. Hang hood onto screws through key holes, and tighten.
9. Install duct work and duct-tape.
10. Reinstall the difuser panels.
11. Power up hood and check for leaks around duct-tape.



INSTALLATION

7

CONVERTIBLE OPTIONS

This range hood is equipped with the option of a 6" vertical discharge, 3 1/4"x10" vertical discharge, or 3 1/4"x10" rear discharge. Additional accessories are provided to convert to either of the above discharge methods.

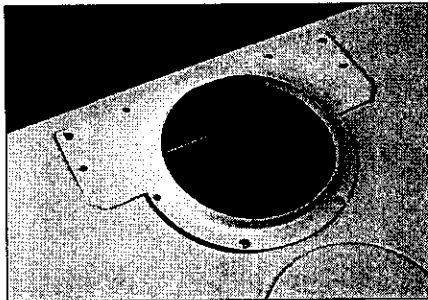
Convertible Options

Vertical discharge	6" round
Vertical discharge	3 1/4"x10"
Horizontal rear discharge	3 1/4"x10"

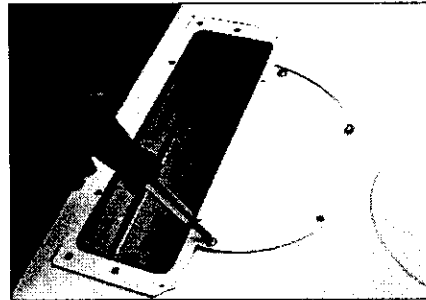
Convertible Accessories

Round to rectangular transition adaptor
Rectangular to round transition adaptor (pre-mounted)
Gasket (pre-mounted)
Rectangular rear cap (pre-mounted)
3 1/4"x10" starting collar

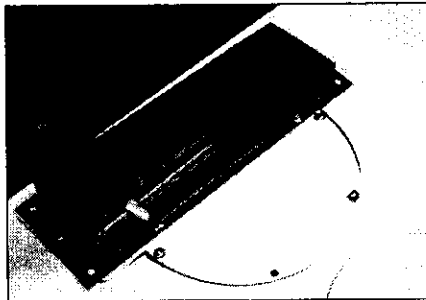
3 1/4"x10" Vertical Discharge



1. Remove pre-mounted 6" transition adaptor or duct opening. Leave attached gasket in its original place.



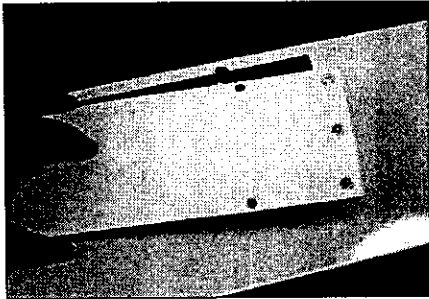
2. Place rectangular transition adaptor as shown over gasket and by first installing 4 screws on half round section.



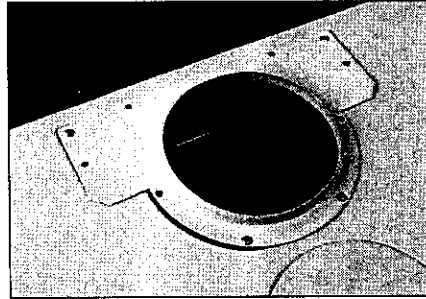
3. Mount the 3-1/4"x10" starting collar on top of transition piece with remaining screws.

CONVERTIBLE OPTIONS

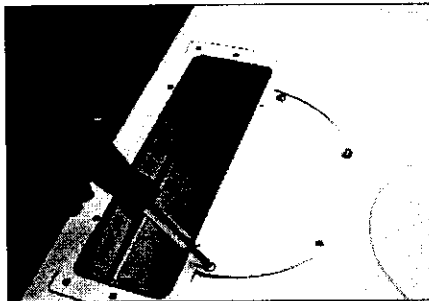
3 1/4"x10" Rear Discharge



1. At rear of range hood, remove all screws on pre-mounted rear rectangular cap and remove cap.



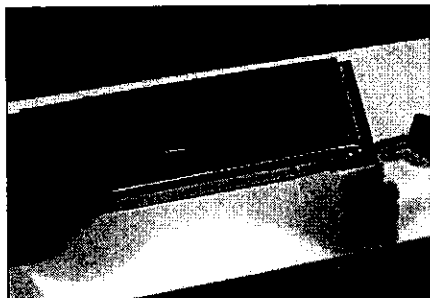
2. Remove top pre-mounted transition piece. Leave attached gasket in its original place.



3. Mount rectangular transition piece at opening with gasket as shown.



4. Mount rectangular cap (previously removed) on top of transition adaptor.



5. Mount starting collar (provided) at rear discharge opening with gasket.

DUCTLESS CONVERSION

Ductless conversion is intended for applications where an exhaust duct work is not possible to be installed. When converted, the hood functions as a "purifying" hood rather than an exhaust hood. Fumes and exhaust from cooking are drawn and filtered by a set of optional Carbon Filters. The air is then purified and re-circulated back within the home.

We recommend to ALWAYS exhaust air outside of the home by employing existing or installing new duct work, if possible. The hood is most effective and efficient as an Exhaust unit. Only when the exhaust option is not possible should you recourse to converting the hood into a "purifying" unit.

When converted to be a "purifying" unit, a Carbon Filters Kit is required. Order according to its Part number below. The standard Metal Filters are intended to capture residue from cooking and the optional Carbon Filters help to purify fumes exhausted from cooking for re-circulation.

Carbon Filters (Required)

1. Purchase ductless Carbon Filters Kit as follow:

Hood Model:	Part No.	Filters in pkg.
UXT5230AD*	HCFLTUXT30	2
UXT5236AD*	HCFLTUXT36	3
UXT5430AD*	HCFLTUXT30	2
UXT5436AD*	HCFLTUXT36	3

2. The ductless conversion housing must be installed prior to installation of the range hood.
3. Remove the diffuser panels on the hood.
4. Clip carbon filter onto bracket of diffuser panels.
5. Re-install diffuser panels.
6. Carbon Filters must be replaced after every 120 hours of use (or approximately every 2 to 3 months based on the average of 1-2hrs. of daily cooking time).
7. Refer installation manual provided with ductless carbon filters kit.

