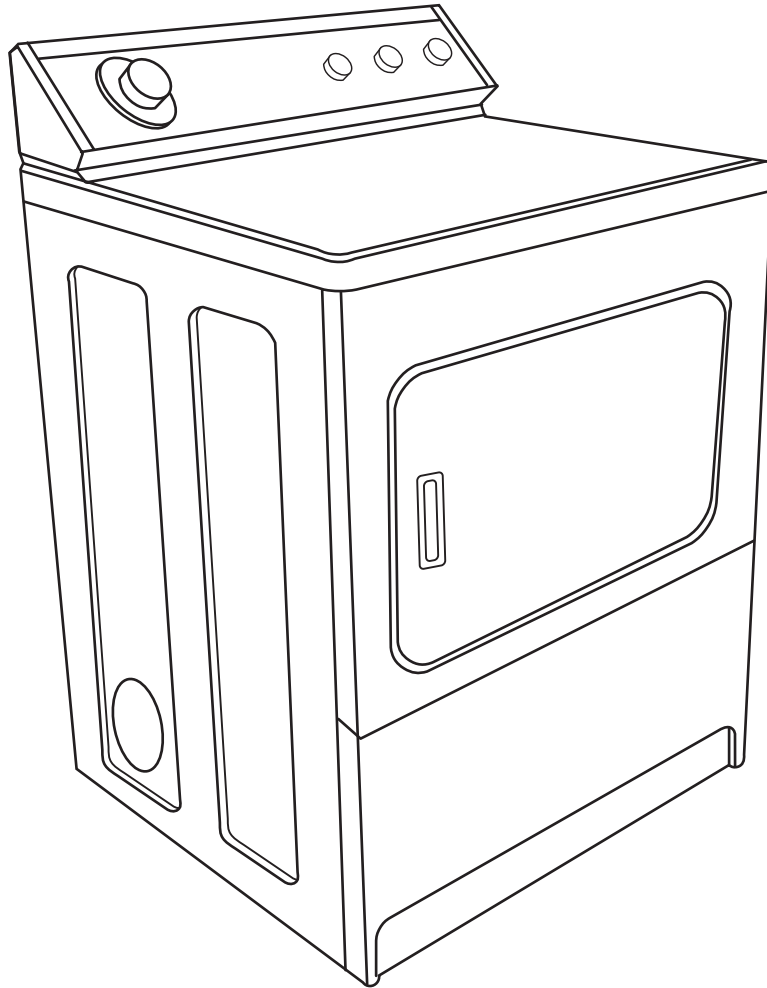


---

# INSTALLATION INSTRUCTIONS

## ELECTRIC DRYER

---



**FOR MODELS: 3RLEC8600,  
3RLEQ8033, 3RLEQ8600**

# Table of Contents

<b>DRYER SAFETY</b> .....	2	<b>INSTALLATION INSTRUCTIONS</b> .....	7
<b>INSTALLATION REQUIREMENTS</b> .....	3	Install Vent System .....	7
Tools and Parts .....	3	Install Leveling Legs .....	7
Location Requirements.....	3	Electrical Connection .....	7
Electrical Requirements .....	5	Level the Dryer .....	7
Venting Requirements .....	5	Connect Vent .....	8
Plan Vent System .....	6	Complete Installation .....	8

## DRYER SAFETY

### Your safety and the safety of others are very important.

We have provided many important safety messages in this manual and on your appliance. Always read and obey all safety messages.



This is the safety alert symbol.

This symbol alerts you to potential hazards that can kill or hurt you and others.

All safety messages will follow the safety alert symbol and either the word “DANGER” or “WARNING.”

These words mean:

**! DANGER**

You can be killed or seriously injured if you don't immediately follow instructions.

**! WARNING**

You can be killed or seriously injured if you don't follow instructions.

All safety messages will tell you what the potential hazard is, tell you how to reduce the chance of injury, and tell you what can happen if the instructions are not followed.



### **WARNING - “Risk of Fire”**

- Clothes dryer installation must be performed by a qualified installer.
- Install the clothes dryer according to the manufacturer’s instructions and local codes.
- Do not install a clothes dryer with flexible plastic venting materials. If flexible metal (foil type) duct is installed, it must be of a specific type identified by the appliance manufacturer as suitable for use with clothes dryers. Flexible venting materials are known to collapse, be easily crushed, and trap lint. These conditions will obstruct clothes dryer airflow and increase the risk of fire.
- To reduce the risk of severe injury or death, follow all installation instructions.
- Save these instructions.

### IMPORTANT SAFETY INSTRUCTIONS

When discarding or storing your old clothes dryer, remove the door.

**SAVE THESE INSTRUCTIONS**

## FOR YOUR SAFETY

1. Do not use or store petrol or other flammable materials in this appliance or near this appliance.
2. Do not spray aerosols in the vicinity of this appliance while it is in operation.
3. Do not modify this appliance.



This appliance is marked according to the European directive 2002/ 96/ EC on Waste Electrical and Electronic Equipment (WEEE).

By ensuring this product is disposed of correctly, you will help avoid potential negative consequences for the environment and human health, which could otherwise be caused by inappropriate waste handling of this product.

The symbol on the product, or on the documents accompanying the product, indicates that this appliance may not be treated as household waste. Instead it shall be handed over to the applicable collection point for the recycling of electrical and electronic equipment.

Disposal must be carried out in accordance with local environmental regulations for waste disposal.

For more detailed information about treatment, recovery and recycling of this product, please contact your local city office, your household waste disposal service or the shop where you purchased the product.

## INSTALLATION REQUIREMENTS

### Tools and Parts

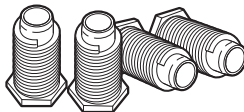
Gather the required tools and parts before starting installation. Read and follow the instructions provided with any tools listed here.

#### Tools needed

- level
- 200 to 250 mm (8" or 10") adjustable wrench that opens to 25 mm (1")
- flat blade screwdriver
- nut driver or socket wrench — 6 mm (1/4")
- sealing gun and compound
- knife
- duct tape
- tin snips
- hex-head socket wrench — 25 mm (1")

#### Parts supplied

Remove parts bag from dryer drum. Check that all parts were included.



4 leveling legs

#### Parts needed

Check local codes, and read electrical and venting requirements before purchasing parts.

### Location Requirements

## ⚠ WARNING



#### Explosion Hazard

**Keep flammable materials and vapors, such as petrol, away from dryer.**

**Place dryer at least 460 mm (18 inches) above the floor for a garage installation.**

**Failure to do so can result in death, explosion, or fire.**

Observe all governing codes and ordinances.

#### You will need

- A location that allows for proper exhaust installation. The dryer must be exhausted to the outdoors. See "Venting Requirements."
- A sturdy floor to support the dryer and a total weight (dryer and load) of 79.4 kg (175 lb). The combined weight of a companion appliance should also be considered.

- A level floor with a maximum slope of 25 mm (1") under entire dryer. If slope is greater than 25 mm (1"), install Extended Dryer Feet Kit. Clothes may not tumble properly and models with automatic sensor cycles may not operate correctly if dryer is not level.
- Adequate ventilation must be provided to avoid a backflow of gases into the room from appliances burning other fuels, including open fires (i.e. available airflow into the room should match airflow out of the room).

Do not operate your dryer at temperatures below 7°C (45°F). At lower temperatures, the dryer might not shut off at the end of an automatic cycle.

The dryer must not be installed or stored in an area where it will be exposed to water and/or weather.

Check code requirements. Some codes limit, or do not permit, installation of the dryer in garages, closets, mobile homes, or sleeping quarters. Contact your local building inspector.

Do not install dryer on carpet.

### Installation Clearances

The location must be large enough to allow the dryer door to open fully.

### Recessed Area and Closet Installation Instructions

This dryer may be installed in a recessed area or closet.

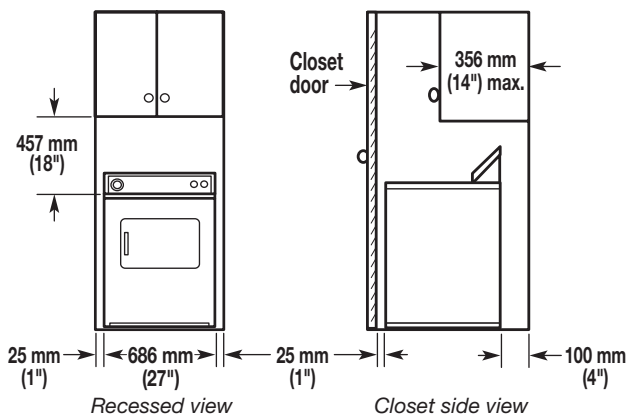
The installation spacing is in millimeters (inches) and is the minimum allowable. Additional spacing should be considered for ease of installation, servicing, and compliance with local codes and ordinances.

If closet door is installed, the minimum unobstructed air opening in the top and bottom is required. Louvered doors with equivalent air openings are acceptable.

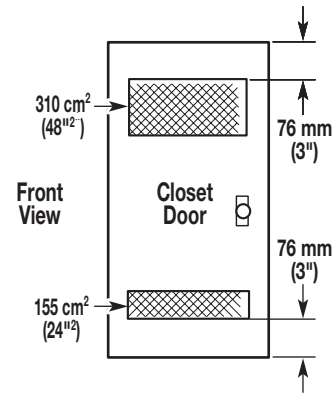
This dryer must not be installed behind a lockable door, a sliding door or a door with a hinge on the opposite side to that of the dryer.

The dryer must be exhausted outdoors.

### Minimum Installation Clearances



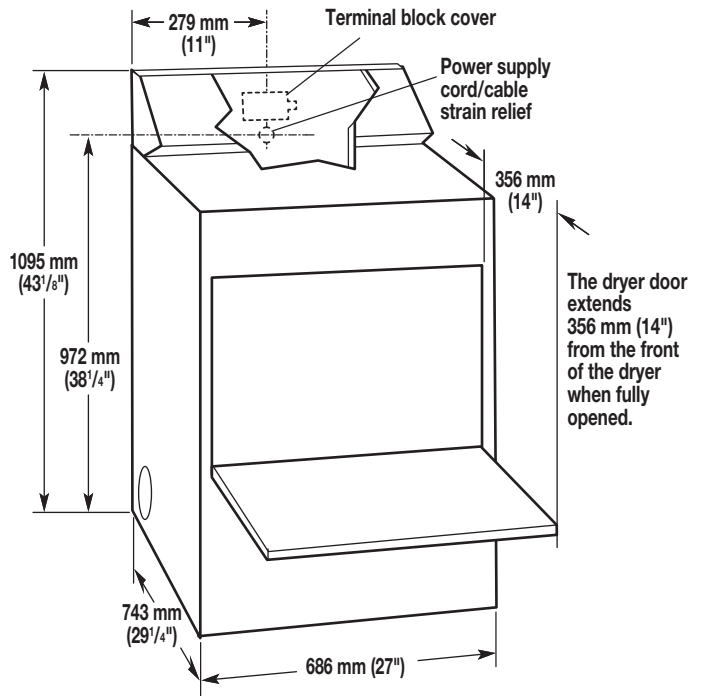
Additional clearances for wall, door, and floor moldings may be required or, if an external exhaust elbow is used.



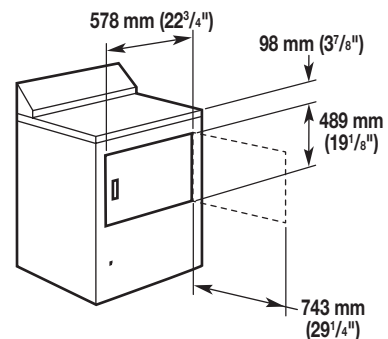
Opening is the minimum for a closet door. Louvered doors with equivalent air openings are acceptable.

### Product Dimensions

Dimensions shown with feet extended 25 mm (1") from bottom of dryer.

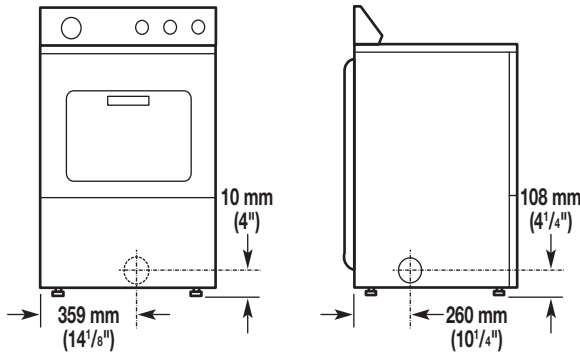


### Side Swing door clearances



Location must be large enough to fully open dryer door.

## Exhaust dimensions



## Electrical Requirements

This dryer is supplied without an electric cord and plug. It must be connected by a competent electrician to a single-phase electrical supply at the voltage shown on the dataplate, using a suitable fixed wiring installation in accordance with local and national wiring regulations.

- A 3-wire circular cord of minimum conductor size 2.5 mm<sup>2</sup> cross-section area should be used.
- A 30A supply fuse should be used. A switch having a contact separation in both poles that provides full disconnection under overvoltage category III conditions must be incorporated into the fixed wiring for dryer disconnection. The dryer should be positioned so that the disconnection switch is easily accessible to the user.
- A cord clamp bush is provided on the dryer, and should be tightened on completion of wiring. The electrical mains terminals are located behind the small rear access panel (terminal block cover), and connections should be made in accordance with the terminal markings. Remember to replace the terminal access panel (terminal block cover).

**NOTE:** In accordance with the European EMC Directive (2004/108/EC), the maximum electric supply system impedance to which the electric dryer should be connected is declared to be 0.29 Ohm + J 0.18 Ohm.

## ⚠ WARNING



### Electric Shock Hazard

**Electrically earth this appliance.**

**Do not use an extension cord or an electrical portable outlet device.**

**Failure to follow these instructions can result in death, fire or electric shock.**

If codes permit and an additional earth bond wire is used, it is recommended that a competent electrician determine that the earth bond path is adequate.

## Recommended Earthing Method

- It is your responsibility to contact a qualified electrical installer to ensure that the electrical installation is adequate and in conformance with all local codes and ordinances.

## Venting Requirements

### ⚠ WARNING



### Fire Hazard

**Use a heavy metal vent.**

**Do not use a plastic vent.**

**Do not use a metal foil vent.**

**Failure to follow these instructions can result in death or fire.**

**WARNING:** To reduce the risk of fire, this dryer **MUST BE EXHAUSTED OUTDOORS.**

- The dryer exhaust must not be connected into a flue which is used for exhausting fumes from appliances burning gas or other fuels, chimney, wall, ceiling, attic, crawl space, concealed space of a building, or any other vent used for venting.
- Do not use an exhaust hood with a magnetic latch.
- Do not install flexible non-metal vent.
- Do not install metal vent that is smaller than 102 mm (4") in diameter.
- Do not install flexible vent in enclosed walls, ceilings, or floors.
- 102 mm (4") heavy metal vent and clamps must be used.
- Use 102 mm (4") clamps to seal all joints. Vent must not be connected or secured with screws or other fastening devices which extend into the interior of the vent and catch lint. Do not use duct tape.

### Improper venting can cause moisture and lint to collect indoors, which may result in:

- Moisture damage to woodwork, furniture, paint, wallpaper, carpets, etc.
- Housecleaning problems and health problems.

**IMPORTANT:** Observe all governing codes and ordinances.

Use a heavy metal vent. Do not use plastic or metal foil vent. Only rigid or flexible metal vent shall be used for exhausting. Rigid metal vent is recommended to prevent crushing and kinking.

Flexible metal vent must be fully extended and supported when the dryer is in its final position. Remove excess flexible metal vent to avoid sagging and kinking that may result in reduced airflow and poor performance.

An exhaust hood should cap the vent to prevent rodents and insects from entering the home.

Exhaust hood must be at least 305 mm (12") from the ground or any object that may be in the path of the exhaust (such as flowers, rocks, or bushes, etc.).

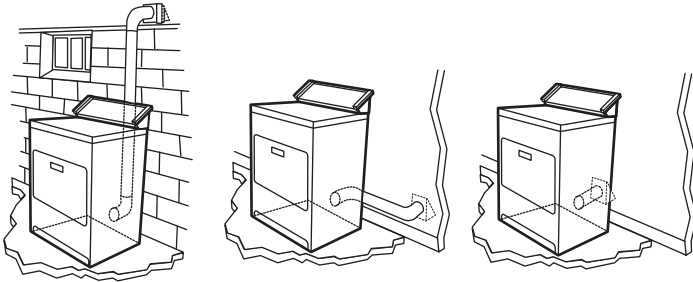
If using an existing vent system, clean lint from the entire length of the system and make sure the exhaust hood is not plugged with lint. Replace any plastic or metal foil vent with rigid metal or flexible metal vent.

## Plan Vent System

### Route the Vent

The exhaust outlet is located at the center of the rear of the dryer.

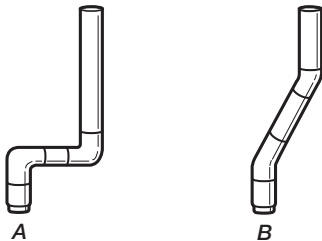
The exhaust vent can be routed up, down, left, right, or straight out the back of the dryer.



The design of the flue system should ensure that any condensate formed when operating the appliance from cold, is either retained and subsequently evaporated or discharged. Following these installation instructions should adequately meet this requirement.

### Vent System Length

1. Select the route that will provide the straightest and most direct path outdoors. Plan the installation to use the fewest number of elbows and turns. Avoid making 90° turns. When using elbows or making turns, allow as much room as possible. Bend vent gradually to avoid kinking.



Exhaust Air Flow

A. Good

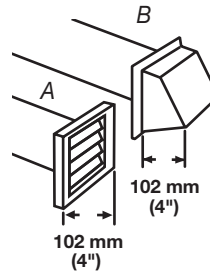
B. Better

2. Determine vent length.

The maximum length of the exhaust system depends upon:

- The type of vent (rigid metal or flexible metal).
- The number of elbows used.
- Type of hood.

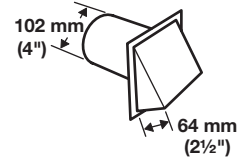
#### Recommended hood styles



A. Louvered hood style

B. Box hood style

#### Acceptable hood style



C. Angled style

See the exhaust vent length chart that matches your hood type for the maximum vent lengths you can use.

Exhaust systems longer than specified will:

- Shorten the life of the dryer.
- Reduce performance, resulting in longer drying times and increased energy usage.

3. Determine the number of elbows needed.

**NOTE:** Do not use vent runs longer than specified in the Vent Length Chart.

The following chart helps you determine your maximum vent length based on the number of 90° turns or elbows you will need and the type of vent (rigid or flexible metal) and hood that you will use.

### Vent Length Chart

Number of 90° turns or elbows	Type of vent	Box or louvered hoods	Angled hoods
0	Rigid metal	15.8 m (52 ft.)	13.4 m (44 ft.)
1	Rigid metal	13.4 m (44 ft.)	11.0 m (36 ft.)
2	Rigid metal	11.0 m (36 ft.)	18.5 m (28 ft.)
3	Rigid metal	8.2 m (27 ft.)	6.4 m (21 ft.)
4	Rigid metal	6.1 m (20 ft.)	4.3 m (14 ft.)

**NOTE:** Side and bottom exhaust installations have a 90° turn inside the dryer. To determine maximum exhaust length, add one 90° turn to the chart.

The maximum length using a 51 mm x 152 mm (2" x 6") rectangular vent with 2 elbows and a 64 mm (2 1/2") exhaust hood is 2.4 m (8 ft.).

For exhaust systems not covered by exhaust Vent Length Charts (such as multiple unit hookups, plenums, and power-assist fans), contact your local authorized service company.

# INSTALLATION INSTRUCTIONS

## Install Vent System

1. Install exhaust hood. Use sealing compound to seal exterior wall opening around exhaust hood.
2. Connect vent to exhaust hood. Vent must fit inside exhaust hood. Secure vent to exhaust hood with 102 mm (4") clamp.
3. Run vent to dryer location. Use the straightest path possible. See "Vent Length Chart." Avoid 90° turns. Use 102 mm (4") clamps to seal all joints. Do not use duct tape, screws, or other fastening devices that extend into the interior of the vent to secure the vent, because they can catch lint.

## Install Leveling Legs

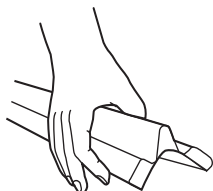
1. Open dryer door and remove drying rack, if included. Wipe drum with damp cloth to remove any dust.

### **⚠ WARNING**

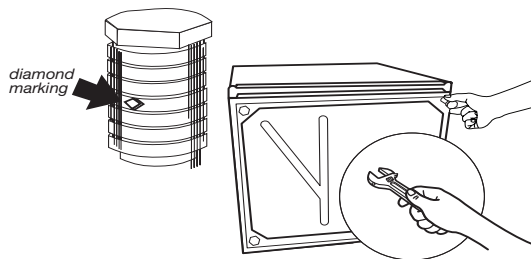
#### **Excessive Weight Hazard**

**Use two or more people to move and install dryer.  
Failure to do so can result in back or other injury.**

2. Take two cardboard corners from the dryer carton and place them on the floor in back of the dryer. Firmly grasp body of the dryer and gently lay it on its back on the cardboard corners.



3. Start to screw legs into holes by hand. Use an adjustable wrench or 25 mm (1") hex-head socket wrench to finish turning legs until you reach the ridge with the diamond marking.



4. To protect the floor, use a large flat piece of cardboard from the dryer carton. Stand dryer up on the cardboard.

## Electrical Connection

### **⚠ WARNING**



#### **Electrical Shock Hazard**

**Plug into a grounded (earthed) outlet.**

**Do not remove ground prong.**

**Do not use an adapter.**

**Do not use an extension cord.**

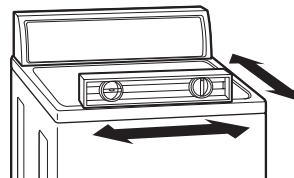
**Failure to follow these instructions can result in death, fire, or electrical shock.**

This is a three wire dryer which must be earthed.

This dryer is supplied without an electric cord and plug; it must be connected by a competent electrician. See "Electrical Requirements."

## Level the Dryer

1. Move dryer close to its permanent location. Leave enough room to connect the exhaust vent. Remove the cardboard from under the dryer.
2. Check levelness of dryer by placing a level on top of dryer, first side to side, then front to back.



If dryer is not level, use a wrench to adjust dryer legs up or down and recheck for levelness.

The dryer must be level to reduce noise and assure proper performance.



---

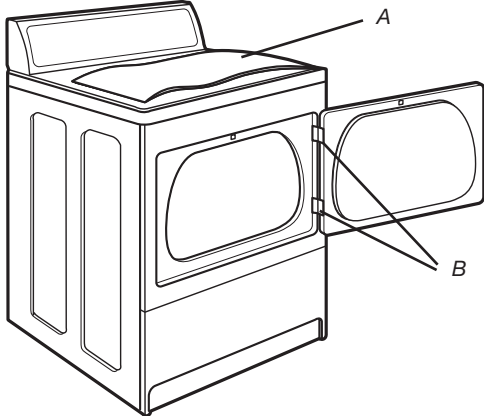
## Connect Vent

1. Connect vent to dryer outlet using 102 mm (4") clamp. If connecting to existing vent, make sure the vent is clean. The vent must fit over the dryer outlet and inside the exhaust hood.
2. Move dryer into final position. Do not crush or kink exhaust vent. Make sure dryer is level.

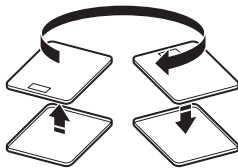
---

## Reverse Door Swing (Optional)

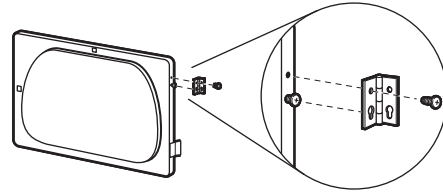
You can change your door swing from a right-side opening to a left-side opening, if desired.



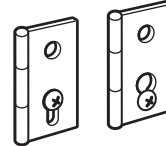
1. Place towel (A) on top of dryer to protect surface.
2. Open dryer door. Remove bottom screws from cabinet side of hinges (B). Loosen (do not remove) top screws from cabinet side of hinges.
3. Lift door until top screws in cabinet are in large part of hinge slot. Pull door forward off screws. Set door (handle side up) on top of dryer. Remove top screws from cabinet.
4. Remove screws attaching hinges to door.
5. Remove screws at top, bottom, and side of door (5 screws). Holding door over towel on dryer, grasp sides of outer door and gently lift to separate it from inner door. Do not pry apart with putty knife. Do not pull on door seal or plastic door catch.
6. Be certain to keep cardboard spacer centered between doors. Reattach outer door panel to inner door panel so handle is on the side where hinges were just removed.



7. Attach door hinges to dryer door so that the larger hole is at the bottom of the hinge.



8. Attach plugs to right side using the same 4 screws.
9. Insert screws into bottom holes on left side of cabinet. Tighten screws halfway. Position door so large end of door hinge slot is over screws. Slide door up so screws are in bottom of slot. Tighten screws. Insert and tighten top screws in hinges.



10. Close door and check that door strike aligns with door catch. If it is needed, slide door catch left or right within slot to adjust alignment. Remove the 4 screws that attach 2 plugs on the left side.

---

## Complete Installation

1. Check to be sure all parts are now installed. If there is an extra part, go back through the steps to see which step was skipped.
2. Check to be sure you have all of your tools.
3. Properly dispose of all packaging materials.
4. Check the dryer's final location. Be sure the vent is not crushed or kinked.
5. Check to be sure the dryer is level. See "Level the Dryer."
6. Read the Use & Care Guide to fully understand your new dryer.
7. Select a full heat cycle (not the air cycle) and start dryer. After five minutes, open dryer door. You should feel heat inside the dryer or on the exhaust vent. If dryer makes an unusual noise, check that the dryer is level.

### Technical Specifications

(see rating plate in door opening for full model details)  
220-240V ~ 50 Hz, 1 ph  
4575W, IP24  
Clothes capacity: 9.0 Kg max.

**W10115523B**

© 2009 Whirlpool Corporation.  
All rights reserved.

® Registered Trademark/TM Trademark of Whirlpool, U.S.A.

6/09  
Printed in U.S.A.