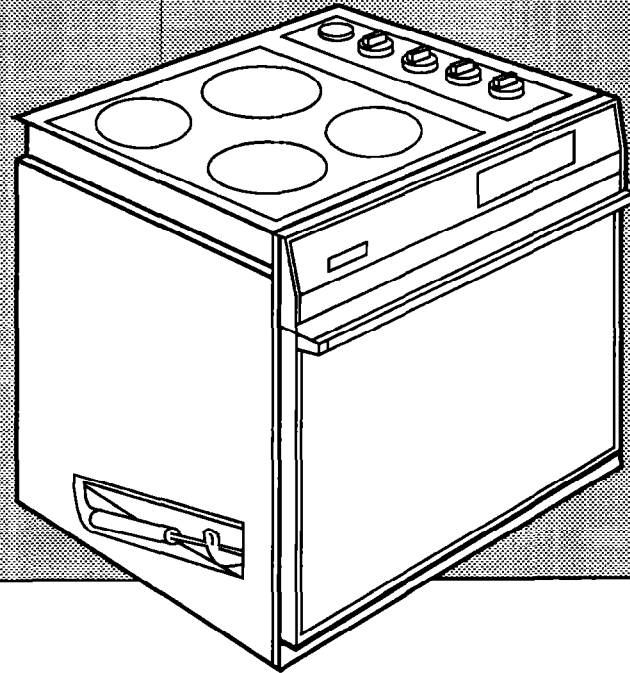


# Installation Instructions

	<b>⚠ WARNING</b>
	<ul style="list-style-type: none"><li>• ALL RANGES CAN TIP</li><li>• INJURY TO PERSONS COULD RESULT</li><li>• THIS RANGE MUST BE FASTENED TO THE CABINET AS SHOWN IN THE INSTALLATION INSTRUCTIONS</li></ul>



Part No. 3147397 Rev. B

**IMPORTANT:**  
Read and save  
these instructions.

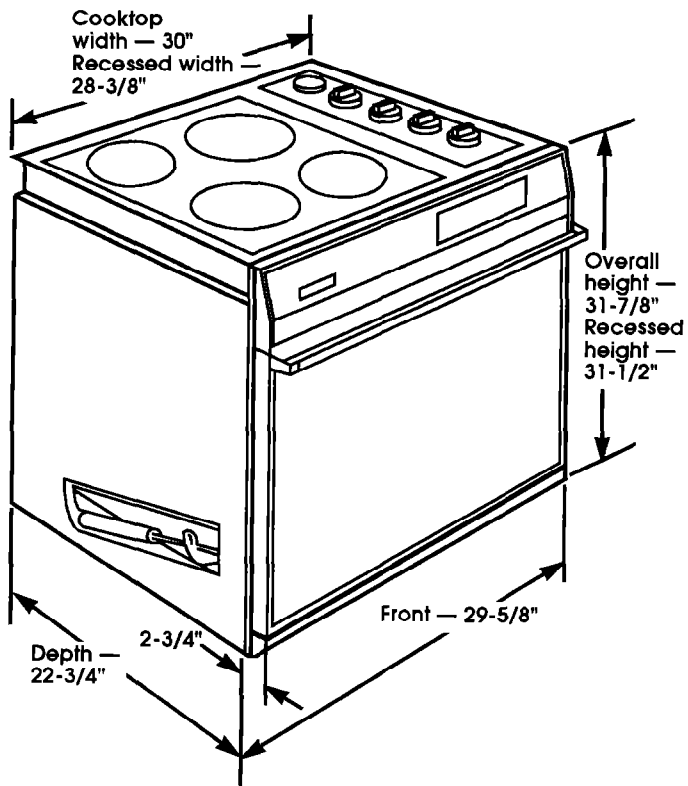
**IMPORTANT:**  
**Installer:** Leave Installation Instructions with the homeowner.  
**Homeowner:** Keep Installation Instructions for future reference.  
**Save** Installation Instructions for local electrical inspector's use.

**30" Electric  
Glass Ceramic  
Set-in Range  
with Self-cleaning Oven**

## Before you start...

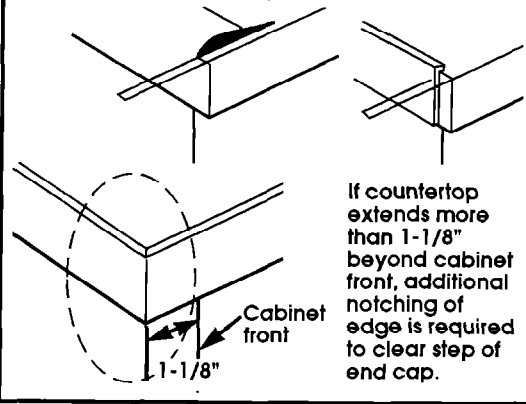
### Read Electrical and Carpentry instructions.

Proper installation is your responsibility. A qualified technician should install this range. Make sure you have everything necessary for correct installation. It is the customer's responsibility to make sure that the countertop has been properly prepared, and to contact a qualified electrical installer to assure that electrical installation is correct.

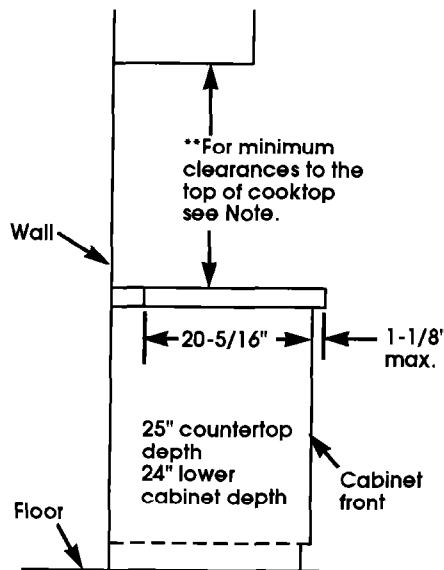


### Countertop preparation:

**Front edges:** You may need to shave or cut the trim of formed or metal front-edged countertops to clear the 30" width of cooktop.

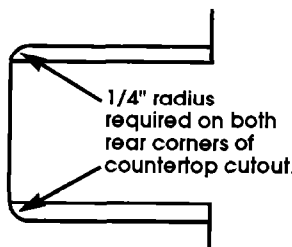


If countertop extends more than 1-1/8" beyond cabinet front, additional notching of edge is required to clear step of end cap.

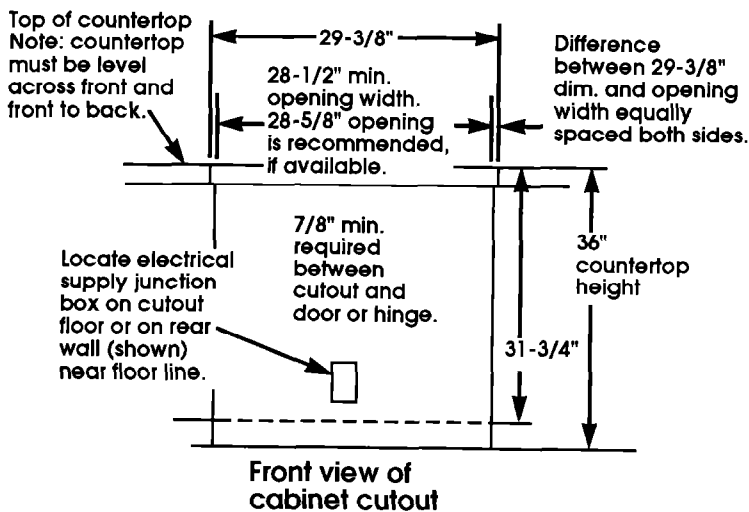


Side view of cabinet cutout

\*\*Note: 30" min. clearance between the top of cooktop and the bottom of an unprotected wood or metal cabinet. 24" min. clearance if protected by not less than 1/4" flame retardant millboard covered with not less than No. 28MSG sheet steel, .015" stainless steel, or .024" aluminum or .020" copper.



Top view of cabinet cutout



Front view of cabinet cutout

**Grounded electrical outlet** is required. See Electrical requirements.

**Cabinet opening dimensions** that are shown must be used. Given dimensions are minimum clearances and provide required 0" clearance.

**Important: Observe all governing codes and ordinances.**

## WARNING

### Electrical Shock Hazard

It is the customer's responsibility:

- To contact a qualified electrical installer.
- To assure that the electrical installation is adequate and in conformance with National Electrical Code, ANSI/NFPA 70 — latest edition\*, and all local codes and ordinances.

Failure to do so could result in electrical shock or other personal injury.

### Personal Injury Hazard

To eliminate the risk of burns or fire, avoid installing cabinet storage above the cooking surface. If cabinets are already installed, reduce the hazard of reaching over a heated cooking surface by installing a range hood.

The range hood should extend a minimum of 5 inches out from the bottom front of the cabinets.

Reaching over a heated cooking surface could result in a serious burn.

### Mobile home installation

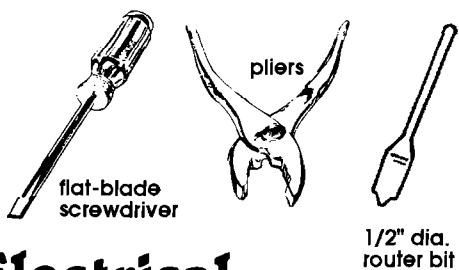
The installation of this range must conform to the Manufactured Home Construction and Safety Standards, Title 24 CFR, Part 3280 (formerly the Federal Standard for Mobile Home Construction and Safety, Title 24, HUD Part 280); or when such standard is not applicable, the Standard for Manufactured Home Installations 1982 (Manufactured Home Sites, Communities and Setups), ANSI A225.1-1987, or with local codes.

When this range is installed in a mobile home, it must be secured to the cabinet (see Step 7) during transit. Any method of securing the range is adequate as long as it conforms to the standards listed above. Four-wire power supply cord must be used in a mobile home installation. The appliance wiring will need to be revised. See Electrical requirements, Figure 3, Panel B.

Copies of the standards listed may be obtained from:

\* National Fire Protection Association  
Batterymarch Park  
Quincy, Massachusetts 02269

## Tools needed for installation:



## Electrical requirements

### WARNING

#### Electrical Shock Hazard

- Electrical ground is required on this appliance.
- Do Not ground to a gas pipe.
- Do Not have a fuse in the neutral or grounding circuit. A fuse in the neutral or grounding circuit could result in an electrical shock.
- Check with a qualified electrician if you are in doubt as to whether the appliance is properly grounded.

Failure to follow these instructions could result in serious injury or death.

If codes permit and a separate grounding wire is used, it is recommended that a qualified electrician determine that the grounding path is adequate.

**A.** A three-wire or four-wire, single phase, 120/240-volt, 60 Hz, AC only electrical supply (or three-wire or four-wire 120/208-volt if specified on the serial/rating plate) is required on a separate circuit, fused on both sides of the line. A time-delay fuse or circuit breaker is recommended. The fuse size must not exceed the circuit rating of the appliance as specified on the serial/rating plate. The serial/rating plate is located on the frame behind the oven door.

**B.** THE RANGE MUST BE CONNECTED WITH COPPER WIRE ONLY.

**C.** Wire sizes and connections must conform to the requirements of the National Electrical Code, ANSI/NFPA 70 — latest edition\* and all local codes and ordinances for the kilowatt rating of the range.

**D.** The appliance should be connected directly to the fused disconnect or circuit breaker box through flexible, armored or non-metallic sheathed cable (with copper grounding wire).

**E.** The flexible armored cable extending from the appliance should be connected directly to the junction box. Locate the junction box to allow two to three of slack in the cable between the junction box and the appliance so that the range can be moved if servicing is ever necessary. Do Not cut the conduit.

**F.** A U.L.-listed conduit connector **must** be provided at each end of the power supply cable (at the appliance and at the junction box).

**G.** A wiring diagram is located in the Tech Sheet. A Tech Sheet is located behind the lower air grille.

# Electrical connection

## ⚠ WARNING

### Electrical Shock Hazard

- Electrical ground is required on this appliance.
  - Do Not connect to the electrical supply until appliance is permanently grounded.
  - Disconnect power to the junction box before making the electrical connection.
  - This appliance must be connected to a grounded, metallic, permanent wiring system, or a grounding connector should be connected to the grounding terminal or wire lead on the appliance.
- Failure to do so could result in a fire, personal injury or electrical shock.

This appliance is manufactured with white (neutral) power supply wire and a cabinet-connected green grounding wire twisted together.

Connect the appliance cable to the junction box through the U.L.-listed conduit connector. Complete electrical connection according to local codes and ordinances.

### A. Where local codes permit... connecting the cabinet-grounding conductor to the neutral (white) junction box wire:

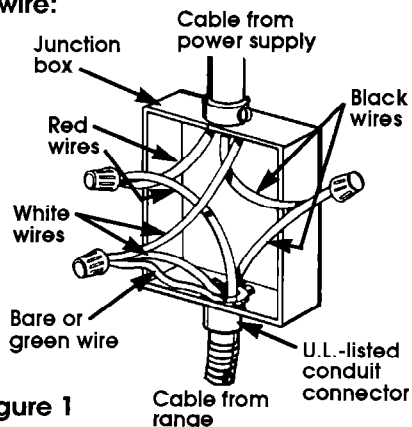


Figure 1

#### Grounded Neutral

1. Disconnect the power supply.
2. Connect together 3 wires: green and white appliance cable wires and the neutral (white) wire in junction box.
3. Connect the two black wires together; then the two red wires together. See Figure 1.

### B. Where local codes Do Not permit...

connecting the cabinet-grounding conductor to the neutral (white) junction box wire:

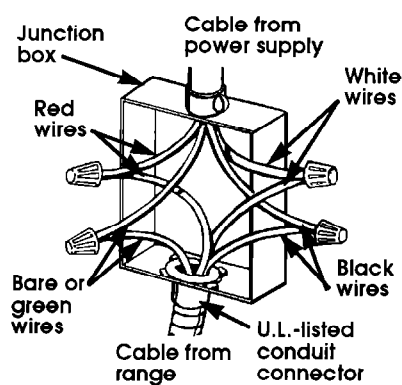


Figure 2

#### Ungrounded Neutral

1. Disconnect the power supply.
2. Separate the green and white appliance cable wires.
3. Connect the white appliance cable wire to the neutral (white) wire in the junction box.
4. Connect the two black wires; then the two red wires. See Figure 2.
5. Connect the green grounding wire to a grounded wire in the junction box.

### C. If connecting to a four-wire electrical system:

DO NOT connect the cabinet-grounding conductor to the neutral (white) junction box wire.

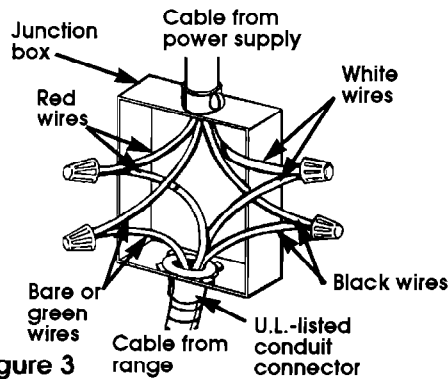


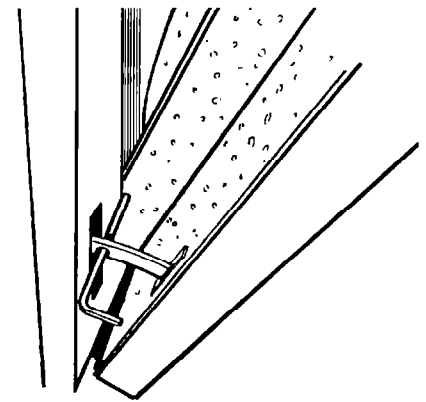
Figure 3

1. Disconnect the power supply.
2. Separate the green and white appliance cable wires.
3. Connect the white appliance cable wire to the neutral (white) wire in the junction box.
4. Connect the two black wires; then the two red wires. See Figure 3.
5. Connect the green grounding wire to the grounding wire in the junction box.

## Now start... with oven in kitchen.

1. Remove shipping materials, tape, and protective film from range. Do Not remove shipping base at this time.

2. Remove the racks and other parts from inside the oven.



3. Insert a nail or a 5/32" diameter item in the hole in each of the hinges. Close the door as far as possible. Lift oven door off of the hinges and set aside.

## ⚠ CAUTION

### Floor Damage

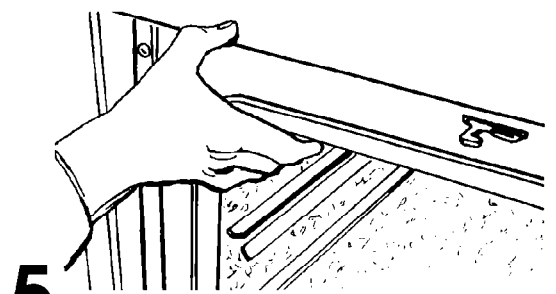
Before moving range across floor, check that range is on shipping base or slide range onto cardboard or hardboard. Failure to do so could cause damage to floor covering.

4. Move range close to cabinet cutout. Make electrical connection. See Electrical requirements and Electrical connection sections, Panels A and B, for details.

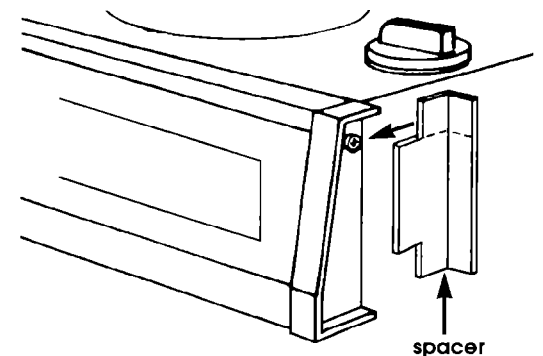
## ⚠ WARNING

### Personal Injury Hazard

Because of the weight and size this range, two or more people are needed to move and safely install it. Failure to do so could result in personal injury.

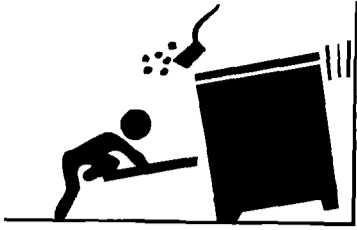


5. Remove and discard shipping base. Lift range up into cabinet opening using the oven opening as an area to grip.

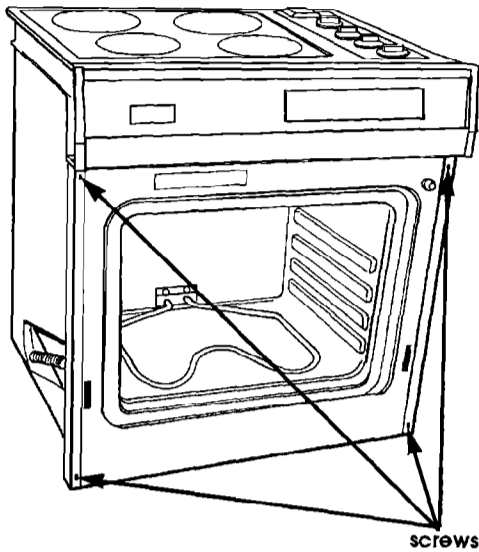


6. Center range in cabinet cutout. Loosen screws and insert spacers (shipped in literature bag) on each side of the control console. If range does not fit properly, check spacers. The spacers may need to be cut to fit under the countertop. Mark with a pencil where each spacer needs to be cut. Loosen both screws to remove spacers. Cut across top of each spacer. Replace spacers and tighten screws. Check that range fits properly on countertop.

## ! WARNING

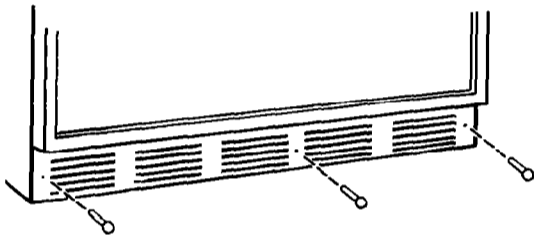


To reduce the risk of tipping the appliance, the appliance must be securely fastened to the cabinet using the four screws that are provided.

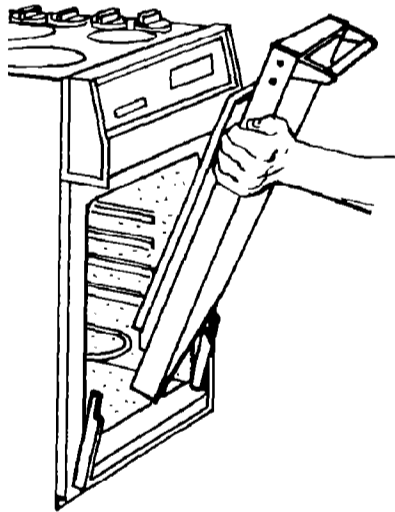


screws

- 7.** Secure range to cabinet using the four screws through the mounting holes in the front frame of the oven.

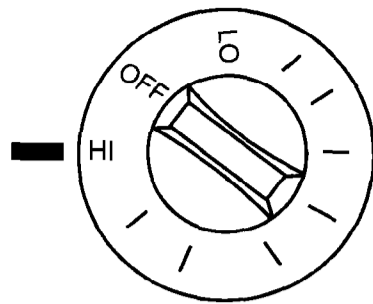


- 8.** Put air grille into place under the oven door. Be sure louvers in air grille point down, flange is at bottom, and mounting holes are at top. Slide air grille into position. Attach grille with 3 black metal screws. (White models may use chrome screws.)



- 9.** Fit both corners of oven door over ends of hinges. Push door evenly and completely onto hinges. Remove nails from hinges. If door does not close, you have not pushed door completely onto hinges.

- 10.** Turn power supply on.



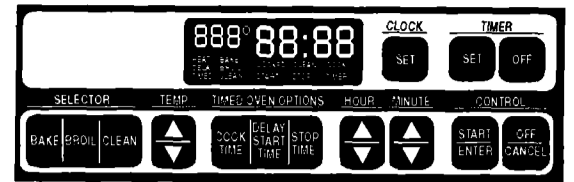
- 11.** Push in and turn each surface unit control knob to "HI" position. Check the operation of the cooktop elements and indicator lights.

- 12.** Check the operation of the oven elements:



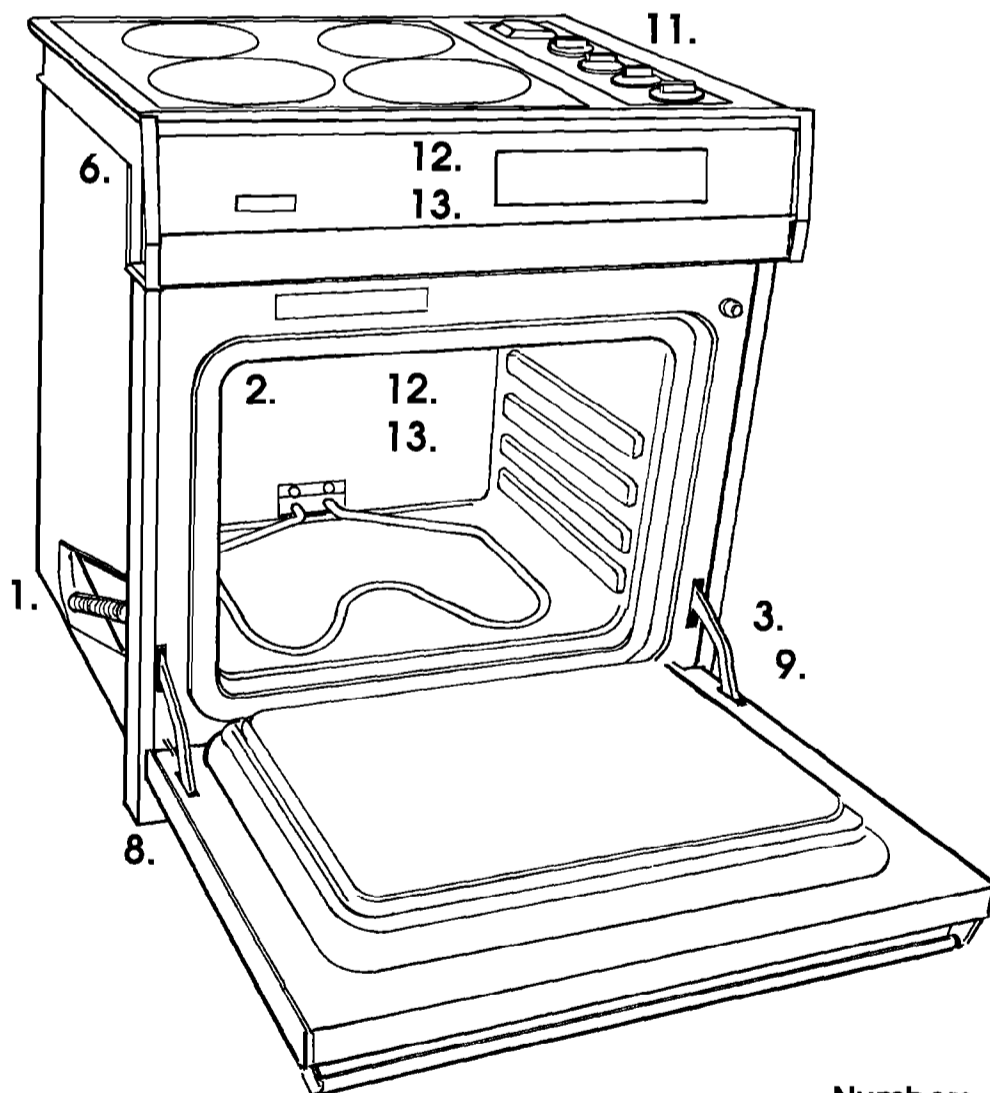
Push the "BAKE" pad. "350°" and "BAKE" will appear in the display. Push the "START/ENTER" pad. "Lo°," "HEAT" and "BAKE" will appear in the display; then "170°." The bottom element should glow red and the upper element should become hot but not glow red. As the temperature rises, the temperature in the display will increase in 5° increments until the oven reaches the set temperature. When the oven reaches 350°F, press the "OFF/CANCEL" pad.

- 13.** Check the operation of the oven broil element:



Push the "BROIL" pad. "500°" and "BROIL" will appear in the display. Press the "START/ENTER" pad. "500°," "BROIL" and "HEAT" will appear in the display. The top element should glow red. Press the "OFF/CANCEL" pad.

*To get the most efficient use from your new range, read your Use and Care Guide. Keep Installation Instructions and Guide close to range for easy reference.*



Numbers correspond to steps.

## If the range does not operate...

First check that the circuit breaker is not tripped or the house fuse blown. A more detailed troubleshooting checklist is provided in the Use and Care Guide.

**NOTE:**

**Refer to Use and Care Guide for operating instructions and cleaning instructions.**

 **WARNING**

**Personal Injury/Product  
Damage Hazard**

**Do Not step, lean or sit on the range door.**

**Failure to follow these instructions could result in personal injury and/or product damage.**

## For cleaning and maintenance...

If removing the range is ever necessary for cleaning or maintenance, disconnect the electrical supply to the range.

Remove screws holding range to cabinet and pull range out only as far as necessary to disconnect the electric supply cable. Remove the range to complete cleaning or maintenance.

Move range back into operating position. Replace screws and secure range to cabinet. Reconnect the electric supply.

## If you need assistance...

Check your Use and Care Guide for a toll-free number to call or call the dealer from whom you purchased this appliance. The dealer is listed in the Yellow Pages of your phone directory under "Appliances - Major - Service and Repair." When you call, you will need the range model number and serial number. Both numbers can be found on the serial/rating plate located on the frame behind the oven door.



Printed on recycled paper.  
10% post consumer waste/  
50% recovered materials.