



DUAL FUEL RANGE

Use & Care Guide

ESTUFA DE DUAL FUEL

Manual del Usuario



ENGLISH

ESPAÑOL

Table of Contents

Product Record	2	Convection Roasting.....	13
Range Warranty	2	Oven Baking	14
IMPORTANT SAFETY INSTRUCTIONS	3-5	Air Circulation in the Oven.....	14
Selecting Surface Cooking Utensils	6	Broiling	15
Range Features.....	7	General Cleaning.....	16-22
Liquefied Petroleum (Propane) Gas Conversion	8	• Cleaning Various Parts of Your Range.....	16
Surface Cooking.....	8-10	• To Clean the Cooktop Glass	17
• Flame Size	8	• To Clean Burner Grates, Countered Burner Pan Burner Cap, and Burner Base.....	18
• Proper Burner Adjustment.....	9	• Self-Clean Oven Cycle (Right Oven).....	19
• Placement of Burner Bases and Caps	9	• Setting Controls for Clean Cycle	19
• Placement of Burner Grates.....	10	• Porcelain Enamel Oven Cleaning (If equipped).....	20
• Setting Surface Controls.....	10	• To Remove and Replace Oven Door	20
Before Setting Oven Controls	11	• To Remove and Replace Storage Drawer	21
Setting Ovens Controls.....	11	Avoid Service Checklist.....	22-23
Changing Oven and/or cooktop Lights	12	Notes.....	24
Adjusting Oven Temperature.....	12	Español	25
Convection Cooking.....	13	Sears Service	Back Cover

Product Record

In this space below, record the date of purchase, model and serial number of your product. You will find the model and serial number printed on an identification plate. The identification plate is located on the left side of the range and are visible when the oven door is open or on the inside of the drawer along the side of the frame.

Model No. 790. Date of purchase _____

Serial No. _____ **Save these instructions and your sales receipt for future reference.**

Range Warranty

FULL ONE YEAR WARRANTY ON ALL PARTS

If, within one year from the date of installation, any part of this product fails to function properly due to a defect in material or workmanship, Sears will repair or replace it, at our option, free of charge.

If the product is subjected to other than private family use, the above warranty is effective for only 90 days.

WARRANTY SERVICE IS AVAILABLE BY CONTACTING THE NEAREST SEARS SERVICE CENTER IN THE UNITED STATES.

This warranty gives you specific legal rights, and you may also have other rights which vary from state to state.

Sears Roebuck and Co. Dept. 817 WA Hoffman Estates, IL 60179

To Further Add To The Value Of Your Range, Buy a Sears Maintenance Agreement.

“We Service What We Sell” is our assurance to you that you can depend on Sears for service. Your Kenmore appliance has added value when consider that Sears has service units nationwide, staffed with professional technicians trained on all appliance Sears sells. They have the knowledge and skills, tools, parts and equipment to ensure our pledge to you that “We Service What We Sell”.

Maintain the value of your purchase with a Sears Maintenance Agreement. Kenmore appliances are designed, manufactured, and tested for years of dependable operation. Yet any major appliance may require service from time to time. The Sears Maintenance Agreement offers you an outstanding service program for your product.

The Sears Maintenance Agreement:

- Is your way to buy tomorrow’s service at today’s prices.
- Eliminates repair bills resulting from normal use.
- Allows for as many service calls as you need.
- Provides an annual Preventive Maintenance Check at your request to keep your Kenmore Appliance in proper running condition.


For more information, call 1-800-827-6655

IMPORTANT SAFETY INSTRUCTIONS

Read all instructions before using this appliance.

Save these instructions for future reference.

This manual contains many important safety messages. Always read and obey all safety messages.

The safety alert symbol  calls your attention to safety messages that inform you of hazards that can kill or hurt you or others, or cause damage to the product.

⚠ WARNING Indicates an imminently hazardous situation which, if not avoided may result in death or serious injury.

⚠ CAUTION Indicates an imminently hazardous situation which, if not avoided may result in minor or moderate injury, or product-damage-only.

All safety messages will identify the hazard, tell you how to reduce the chance of injury, and tell you what can happen if the instructions are not followed.

⚠ WARNING If the information in this manual is not followed exactly, a fire or explosion may result causing property damage, personal injury or death.

FOR YOUR SAFETY:

- Do not store or use gasoline or other flammable vapors and liquids in the vicinity of this or any other appliance.
- **WHAT TO DO IF YOU SMELL GAS:**
 - Do not try to light any appliance.
 - Do not touch any electrical switch; do not use any phone in your building.
 - Immediately call your gas supplier from a neighbor's phone. Follow the gas supplier's instructions.
 - If you cannot reach your gas supplier, call the fire department.
- Installation and service must be performed by a qualified installer, servicer or the gas supplier.



⚠ WARNING

- All ranges can tip.
- Injury to persons could result.
- Install anti-tip device packed with range.
- See Installation Instructions.



To reduce the risk of tipping, the range must be secured by properly installed anti-tip bracket(s) provided with the range. To check if the bracket(s) is (are) installed properly, remove the lower panel or storage drawer and verify that the anti-tip bracket(s) is (are) engaged. Refer to the Installation Instructions for proper anti-tip bracket(s) installation.

- Remove all tape and packaging before using the range. Destroy the carton and plastic bags after unpacking the range. Never allow children to play with packaging material.

- Proper Installation—Be sure your appliance is properly installed and grounded by a qualified technician in accordance with the National Fuel Gas Code ANSI Z223.1 latest edition, and National Electrical Code ANSI/NFPA No. 70—latest edition, and local code requirements. Install only per installation instructions provided in the literature package for this range.

Ask your dealer to recommend a qualified technician and an authorized repair service. Know how to disconnect the power to the range at the circuit breaker or fuse box and gas supply at the main shutoff valve in case of an emergency. Remove the drawer to access the valve.

- User servicing—Do not repair or replace any part of the appliance unless specifically recommended in the manuals. All other servicing should be done only by a qualified technician, this may reduce the risk of personal injury and damage to the range.

- Never modify or alter the construction of a range by removing leveling legs, panels, wire covers, anti-tip brackets/screws, or any other part of the product.

⚠ WARNING Stepping, leaning or sitting on the doors or drawer of this range can result in serious injuries and also cause damage to the range. Do not allow children to climb or play around the range. The weight of a child on an open door may cause the range to tip, resulting in serious burns or other injury.

⚠ WARNING Do not use the oven for storage.

⚠ CAUTION Do not store items of interest to children in the cabinets above a range or on backguard of a range. Children climbing on the range to reach items could be seriously injured.

⚠ WARNING Never use your appliance for warming or heating the room.

IMPORTANT SAFETY INSTRUCTIONS

- **Storage in or on Appliance**—Flammable materials should not be stored in an oven, near surface burners or in the drawer (if equipped). This includes paper, plastic and cloth items, such as cookbooks, plasticware and towels, as well as flammable liquids. Do not store explosives, such as aerosol cans, on or near the appliance. Flammable materials may explode and result in fire or property damage.
- **Do not leave children alone**—Children should not be left alone or unattended in the area where appliance is in use. They should never be allowed to sit or stand on any part of the appliance.
- **DO NOT TOUCH SURFACE BURNERS, AREAS NEAR THESE BURNERS, OVEN HEATING ELEMENTS OR INTERIOR SURFACES OF THE OVEN.** Both surface burners and oven heating elements may be hot even though they are dark in color. Areas near surface burners may become hot enough to cause burns. During and after use, do not touch, or let clothing or other flammable materials touch these areas until they have had sufficient time to cool. Among these areas are the cooktop, surfaces facing the cooktop, the oven vent openings and surfaces near these openings, oven door and window.
- **Wear proper apparel**—Loose-fitting or hanging garments should never be worn while using the appliance. Do not let clothing or other flammable materials contact hot surfaces.
- **Do not use water or flour on grease fires**—Smother the fire with a pan lid, or use baking soda, a dry chemical or foam-type extinguisher.
- **When heating fat or grease, watch it closely.** Fat or grease may catch fire if allowed to become too hot.

⚠ WARNING In case of fire or gas leak, be sure to turn off the main gas shutoff valve.

- **Use only dry potholders**—Moist or damp potholders on hot surfaces may result in burns from steam. Do not let potholders touch hot heating elements. Do not use a towel or other bulky cloth instead of a potholder.
- **Do not heat unopened food containers**—Build-up of pressure may cause container to burst and result in injury.
- **Remove the oven doors from any unused range if it is to be stored or discarded.**

IMPORTANT—Do not attempt to operate the oven during a power failure. If the power fails, always turn the ovens off. If the ovens are not turned off and the power resumes, the oven may begin to operate again. Food left unattended could catch fire or spoil.

⚠ WARNING Use proper pan size—Adjust flame size so it does not extend beyond the edge of the utensil. The use of undersize utensils will expose a portion of the burner flame to direct contact and may result in ignition of clothing. Proper relationship of utensil to flame will also improve efficiency.

⚠ WARNING Do not use stove top grills on the burner grates of sealed gas burners. If you use a stove top grill on a sealed gas burner, it will cause incomplete combustion and can result in exposure to carbon monoxide levels above allowable current standards. This can be hazardous to your health.

⚠ CAUTION Electronic controllers can be damaged by cold temperatures. When you use your appliance for the first time, or if it has not been used for a long period of time, make sure that it has been exposed to a temperature above 0°C/32°F for at least 3 hours before connecting it to the power supply.

IMPORTANT INSTRUCTIONS FOR USING YOUR COOKTOP

- **Know which knob controls each surface heating unit.** Always turn the knob to the LITE position when igniting the burners. Visually check that burner has lit. Then adjust the flame so it does not extend beyond the edge of the utensil.
- **Use proper pan size.** This appliance is equipped with one or more surface burners of different sizes. Select utensils having flat bottoms large enough to cover the surface burner. The use of undersized utensils will expose a portion of the surface burner to direct contact and may result in ignition of clothing. Proper relationship of utensil to the surface burner will also improve efficiency.
- **Utensil handles should be turned inward and not extend over adjacent surface burners**—To reduce the risk of burns, ignition of flammable materials, and spillage due to unintentional contact with the utensil. The handle of the utensil should be positioned so that it is turned inward, and does not extend over adjacent surface burners.
- **Never leave surface burners unattended at high heat settings**—Boilovers cause smoking and greasy spillovers that may ignite, or a pan that has boiled dry may melt.

IMPORTANT SAFETY INSTRUCTIONS

- **Protective liners**—Do not use aluminum foil to line oven bottom or any other part of the appliance. Only use aluminum foil as recommended for baking if used as a cover placed on the food. Any other use of protective liners or aluminum foil may result in a risk of electric shock or fire or short circuit.
- **Glazed cooking utensils**—Only certain types of glass, glass/ceramic, ceramic, earthenware, or other glazed utensils are suitable for rangetop service without breaking due to the sudden change in temperature. Check the manufacturer's recommendations for rangetop use.
- **Do not use decorative surface burner covers.** If a burner is accidentally turned on, the decorative cover will become hot and possibly melt. Burns will occur if the hot covers are touched. Damage may also be done to the cooktop or burners because the covers may cause overheating. Air will be blocked from the burner and cause combustion problems.
- **Placement of ovens racks.** Always place oven racks in desired location while ovens are cool. If rack must be moved while oven is hot use extreme caution. Use potholders and grasp the rack with both hands to reposition. Do not let potholders contact the hot heating elements in the ovens. Remove all utensils from the rack before moving.
- **Do not use the broiler pan without its grid.** The broiler pan and its grid allow dripping fat to drain and be kept away from the high heat of the broiler.
- **Do not cover the broiler grid with aluminum foil.** Exposed fat and grease could ignite.
- **Do not touch a hot light bulb with a damp cloth.** Doing so could cause the bulb to break. Disconnect the appliance or turn off the power to the appliance before removing and replacing light bulb.

FOR GLASS COOKTOPS ONLY

- **Do not clean or operate a broken cooktop**—If cooktop should break, cleaning solutions and spills may penetrate the broken cooktop and create a risk of electric shock. Contact a qualified technician immediately.
- **Clean cooktop glass with caution**—If a wet sponge or cloth is used to wipe spills on a hot cooking area, be careful to avoid a steam burn. Some cleaners can produce harmful fumes if applied to a hot surface.
- **Do not place hot cookware on cold cooktop glass.** This could cause glass to break.
- **Avoid scratching the cooktop glass with sharp objects.**

IMPORTANT INSTRUCTIONS FOR USING YOUR OVEN

- **Use care when opening oven door**—Stand to the side of the range when opening the door of a hot oven. Let hot air or steam escape before you remove or replace food in the oven.
- **Keep ovens vents unobstructed.** Each vent has its own vent located on the top, near each side and towards the back of the cooktop. Touching the surfaces in this area when the oven is operating may cause severe burns. Also, do not place plastic or heat-sensitive items on or near an oven vent. These items could melt or ignite.

IMPORTANT INSTRUCTIONS FOR CLEANING YOUR RANGE

- **Clean the range regularly to keep all parts free of grease that could catch fire.** Exhaust fan ventilation hoods and grease filters should be kept clean. Do not allow grease to accumulate on hood or filter. Greasy deposits in the fan could catch fire. When you are flaming food under the hood, turn the fan on. Refer to the hood manufacturer's instructions for cleaning.
- **Kitchen cleaners and aerosols**—Always follow the manufacturer's recommended directions for use. Be aware that excess residue from cleaners and aerosols may ignite causing damage and injury.

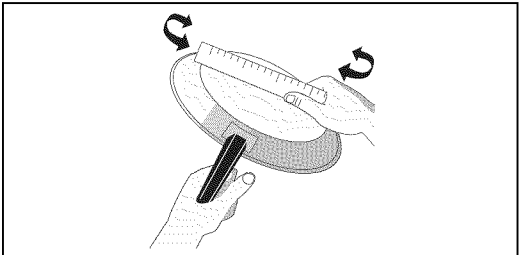
SELF CLEANING OVENS

- **In the self-Cleaning cycle only clean the parts listed in this Use and Care Guide.** Before self cleaning the oven, remove the broiler pan and any utensils or foods from the oven.
- **Do not use oven cleaners**—No commercial oven cleaner or ovens liner protective coating of any kind should be used in or around any part of the oven.
- **Do not clean door gasket**—The door gasket is essential for a good seal. Care should be taken not to rub, damage or move the gasket.
- **Remove oven racks.** Oven racks color will change if left in the oven during a self-cleaning cycle.
- **CAUTION** The health of some birds is extremely sensitive to the fumes given off during the self-cleaning cycle of any range. Move birds to another well ventilated room.

SAVE THESE INSTRUCTIONS

Selecting Surface Cooking Utensils

For best result and energy conservation, choose cooking utensils that have these characteristics:



Pans should have flat bottoms. Check for flatness by rotating a ruler across the bottom. There should be no gap between the pan and ruler.

Note: Always use a utensil for its intended purpose. Follow manufacturer's instructions. Some utensils were not made to be used in the oven or on the cooktop.

CAUTION Do not use griddle over more than one burner because it could damage your cooktop. It can also result in exposure to carbon monoxide levels above allowable current standards and be hazardous to your health.

***GOOD**

- Flat bottom and straight sides.
- Tight fitting lids.
- Weight of handle does not tilt pan. Pan is well balanced.
- Pan sizes match the amount of food to be prepared.
- Made of a material that conducts heat well.
- Easy to clean.

POOR

- Curved and warped pan bottoms.

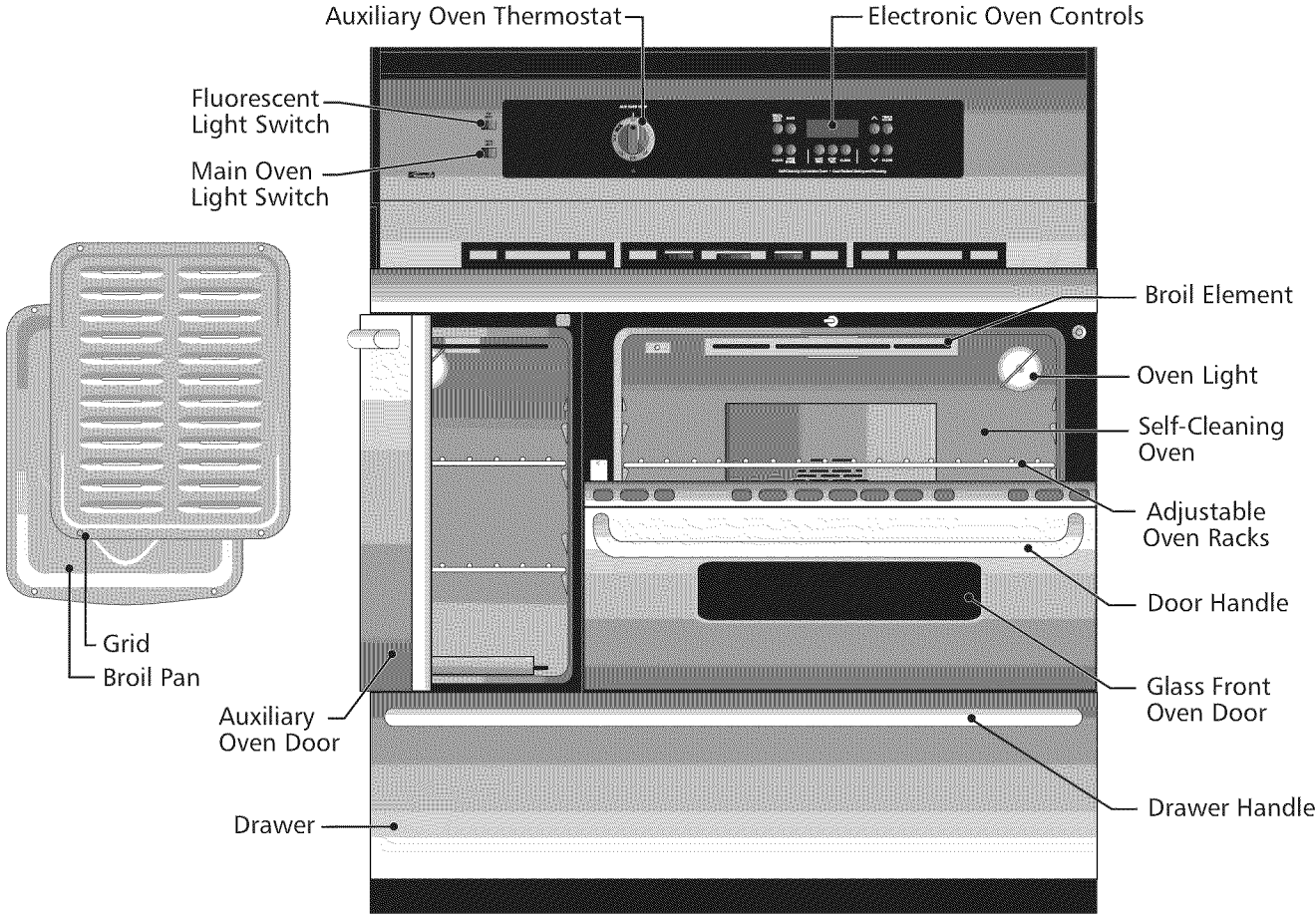
- Pan overhangs unit by more than one inch or 2.5 cm.

- Heavy handle tilts pan.

- Flame extends beyond unit

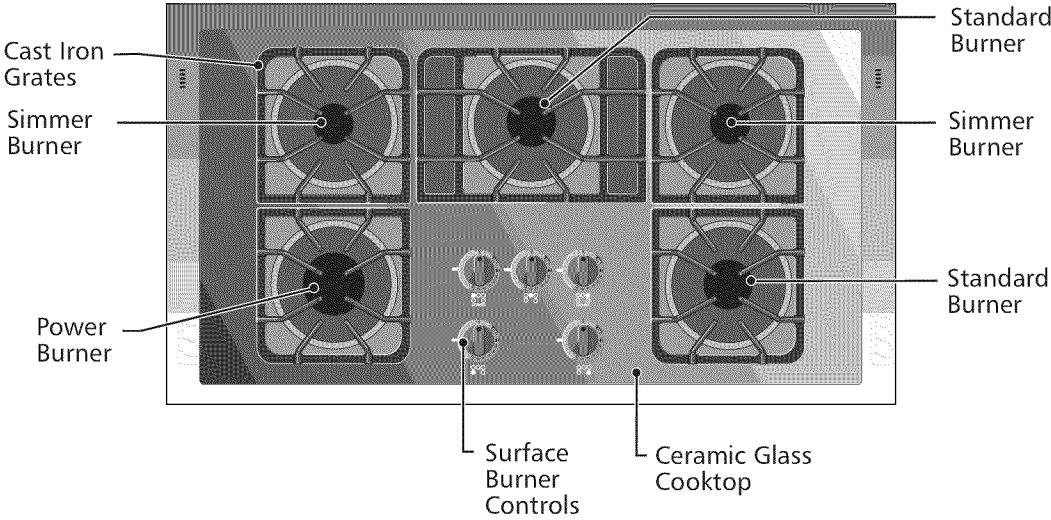
* Specialty pans such as lobster pots, griddles and pressure cookers may be used but must conform to the above recommended cookware requirements.

Range features



ENGLISH

Cooktop



Liquefied Petroleum (Propane) Gas Conversion

This appliance can be used with Natural Gas or Propane Gas. It is shipped from the factory for use with natural gas.

If you wish to convert your range for use with LP/Propane gas, follow instructions and use the fixed orifices you will find in the bag marked "FOR LP/PROPANE GAS CONVERSION".

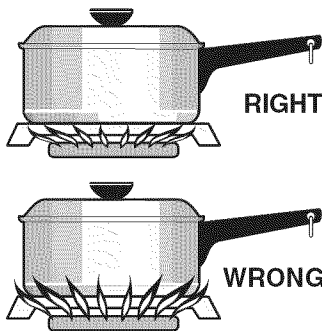
The conversion must be performed by a qualified installer, LP supplier or service technician in accordance with the installation instructions furnished with this range and all codes and requirements of all local codes and requirements. Failure to follow instructions could result in serious injury or property damage. The qualified agency performing this work assumes responsibility for the conversion.

⚠ WARNING Personal injury or death from electrical shock may occur if the range is not installed by a qualified installer or electrician.

⚠ CAUTION Any additions, changes or conversions required in order for this appliance to satisfactorily meet the application needs must be made by an authorized Sears Service Center, Distributor or Qualified Agency.

Surface Cooking FEATURE OVERVIEW

- Flame Size
- Proper Burner Adjustment
- Placement of Burner Bases and Caps



Flame Size

For most cooking, start on the highest control setting and then turn to a lower one to complete the process. Use the table below as a guide for determining proper flame size for various types of cooking. The size and type of utensil used and the amount of food being cooked will influence the setting needed for cooking.

For deep fat frying, use a thermometer and adjust the surface control knob accordingly. If the fat is too cool, the food will absorb the fat and be greasy. If the fat is too hot, the food will brown so quickly that the center will be undercooked. Do not attempt to deep fat fry too much food at once as the food will neither brown nor cook properly.

*Flame Size	Type of Cooking
High Flame	Start most foods; bring water to a boil; pan broiling.
Medium Flame	Maintain a slow boil; thicken sauces, gravies; steam.
Low Flame	Keep foods cooking; poach; stew.

*These settings are based on using medium-weight aluminum pans with lids. Settings may vary when using other types of pans.

Never extend the flame beyond the outer edge of the utensil. A higher flame simply wastes heat and energy, and increases your risk of being burned by the flame.

Proper Burner Adjustments

The color of the flame is the key to proper burner adjustment. A good flame is clear, blue and hardly visible in a well-lighted room. Each cone of flame should be steady and sharply defined. Adjust or clean burner if flame is yellow-orange. To adjust the flame see the **Installation Instructions** and to clean burner, see instructions under **General Cleaning**.

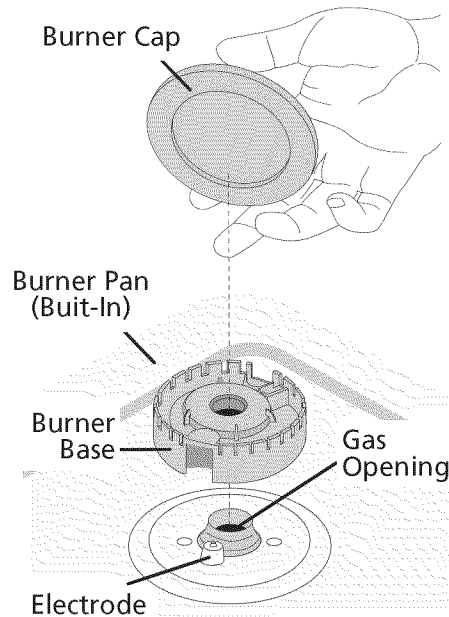
Placement of Burner Bases and Caps

Your Cooktop is equipped with three different sizes of burners: Power Burner, Standard Burner and Simmer Burner.

Place the burner base over each gas opening, matching the burner base size with the gas opening size. Place the burner cap on each burner base, again matching the cap size to the burner base size. The cap for each burner has an inner locating ring which locates the burner cap in the center of the burner.

Make sure each burner cap is properly aligned and level.

Turn the burner on to determine if it will light. If the burner does not light, contact a Sears Service Center. Do not service the sealed burner yourself.

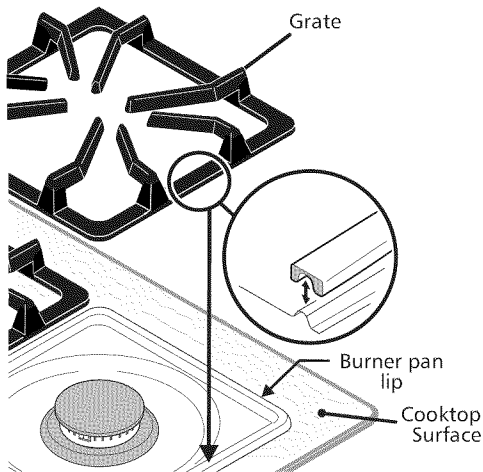


Make sure each burner cap is properly aligned and level. Turn the burner on to determine if it will light. If the burner does not light, contact a Sears Service Center. Do not service the sealed burner yourself.

Surface Cooking

FEATURE OVERVIEW

- Placement of Burner Grates
- Setting Surface Controls



Placement of Burner Grates

Place grate over burner pans. Make sure that the groove under grate fits over the raised lip of the burner pan. The rounded corners of the grates should be placed toward the front of the cooktop for the front burners and the rear of the cooktop for the back burners.

Setting Surface Controls

Your cooktop may be equipped with any combination of the following burners:

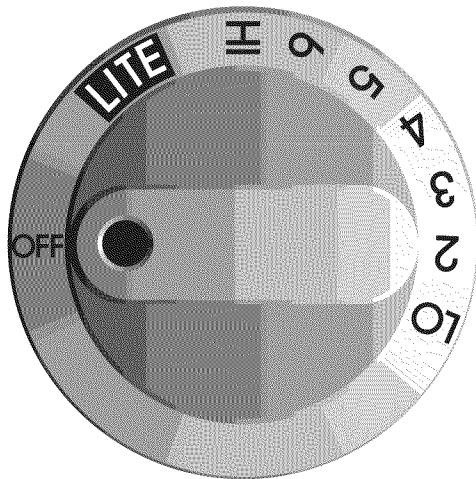
Simmer Burner; this burner is best used for simmering delicate sauces, etc.

Standard Burner; can be used for most all surface cooking needs.

Large Burner; the larger burner is best used when bringing large quantities of liquid to temperature and when preparing larger quantities of food.

Regardless of size, always select a utensil that is suitable for the amount and type of food being prepared. Select a burner and flame size appropriate to the pan. Never allow flames to extend beyond the outer edge of the pan.

CAUTION Do not place plastic items such as salt and pepper shakers, spoon holders or plastic wrappings on top of the cooktop when it is in use. These items could melt or ignite. Potholders, towels or wood spoons could catch fire if placed too close to a flame.



To operate the surface burner:

1. Place cooking utensil on burner.
2. **Push in and turn** the Surface Control knob to **LITE**. **Note:** All electronic ignitors will click at the same time. However, only the burner you are turning on will ignite.
3. Visually check that the burner has lit.
4. **Push in and turn** the Surface Control Knob to the desired flame size. The control knobs do not have to be set at a particular mark. Use the guides and adjust the flame as needed. **DO NOT** cook with the Surface Control knob in the **LITE** position. (The electronic ignitor will continue to click if left in the **LITE** position, causing premature wear.)

In the event of an electrical power outage, the surface burners can be lit manually. To light a surface burner, hold a lit match to the burner head, then slowly turn the Surface Control knob to **LITE**. Use caution when lighting surface burners manually.

Before Setting Oven Controls

Ovens Vents Locations

Each oven has its own vent located on the top, near each side and towards the back of the cooktop. When an oven is on, warm air is released through the vent; this ventilation is necessary for proper air circulation in the oven and good baking results.

Arranging Oven Racks

ALWAYS ARRANGE OVEN RACKS WHEN THE OVEN IS COOL (PRIOR TO OPERATING THE OVEN). Always use oven mitts when using the oven.

To remove an oven rack, pull the rack forward until it stops. Lift up front of rack and slide out.

To replace an oven rack, fit the rack onto the guides on the oven walls. Tilt the front of the rack upward and slide the rack back into place.

Setting Oven Control (Left Oven)

To Bake

1. Arrange oven racks while the oven is still cool. See «Arranging Oven Racks» under **Before Setting Oven Controls**.
2. Turn the Temperature Control knob to the desired oven temperature. When the oven is first turned on, the oven indicator light below the Temperature Control knob will glow.
3. Preheat the oven for 10 to 12 minutes before baking. Preheating is not necessary when roasting, cooking casseroles or broiling most foods. When the desired temperature is reached, the oven indicator light will go out. The light will then go on and off as the element cycles on and off to maintain the desired temperature.
4. When cooking is finished, turn the Temperature Control knob to OFF.

To Broil

1. Arrange oven rack while oven is still cool. For rare meats, position the broiler pan closer to the element (upper position). For well-done foods such as chicken, lobster tails or thick cuts of meat, position the pan further from the element (to a lower position).
2. Turn the Temperature Control knob to BROIL. To sear rare steaks, allow the element to become red-hot—about 2 minutes—before placing food in oven.
3. Place the grid on the left oven broiler pan, and then place the meat on the grid. **DO NOT** use the broiler pan without the grid or cover the grid with aluminum foil. The exposed fat could ignite.
4. Place the left oven broiler pan on the oven rack. **Close the oven door to the Broil Stop position while broiling (door opened about 2 inches).**
5. Broil on one side until food is browned; turn and cook on the second side. Season and serve. **Note:** Always pull the rack out to the stop position before turning or removing food.
6. When broiling is finished, turn the Temperature Control knob to OFF.

CAUTION Should an oven fire occur, close the oven door and turn off the oven. If the fire continues, throw baking soda on the fire or use a fire extinguisher. **DO NOT** put water or flour on the fire. Flour may be explosive.

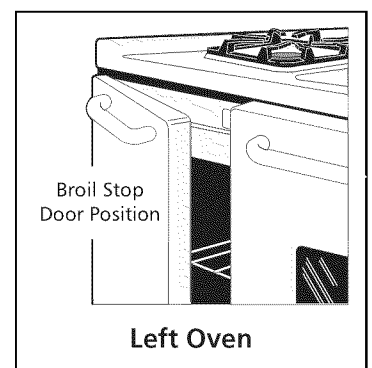
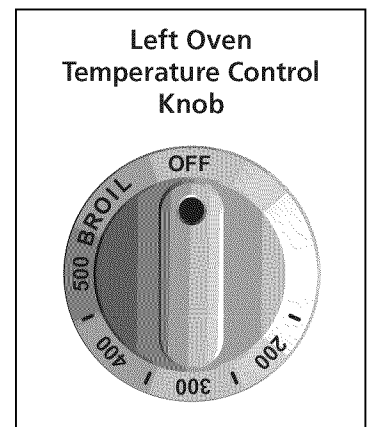
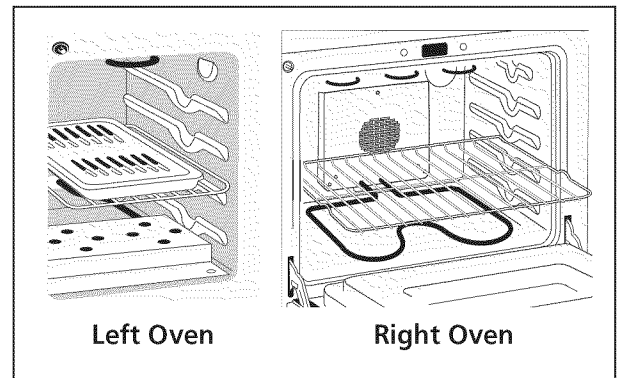
Setting Oven Control (Right Oven)

For right oven settings, refer to the Electronic Oven Control Guide.

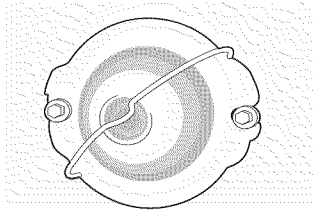
Setting Oven Controls

FEATURE OVERVIEW

- Before Setting Oven Controls
- Setting Oven Controls



Changing Oven and / or Cooktop Lights (if equipped)



CAUTION Be sure the oven is unplugged and all parts are COOL before replacing the oven light bulb. Do not turn the oven light on during a self-cleaning cycle. High temperature will reduce lamp life.

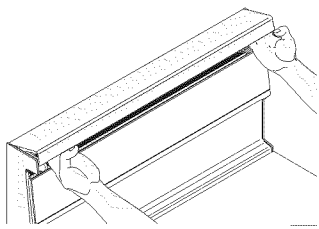
To Change the Oven Light

The oven light automatically turns on when the door is opened (some models). To turn the oven light on and off when the door is closed, use the OVEN LIGHT switch located in the control panel.

1. Turn electrical power off at the main source or unplug the oven.
2. Wear a leather-faced glove for protection against possible broken glass.
3. Press wire holder to one side to release the glass shield.
4. Replace bulb with a new 40 watt appliance bulb.
5. Replace glass shield in socket and snap wire holder into place.
6. Turn power back on again at the main source (or plug the appliance back in).
7. The clock will then need to be reset. To reset, see **Setting the Clock and Minute Timer** in the Electronic Oven Control Guide.

To Change the Cooktop Light (If equipped)

Your model will either have a canopy cover that lifts up or 2 phillips head screws that secure the light cover. BEFORE CHANGING THE COOKTOP LIGHT, BE SURE TO TURN THE POWER OFF AT THE MAIN SOURCE OR UNPLUG THE RANGE.



For models with a canopy cover that lifts up, follow these instructions:

1. Grasp the front edge of the canopy cover as illustrated in the side column. Pull forward and lift the cover up and off toward rear of range.
2. Remove bulb by rolling up and out. Install the new bulb by sliding down into place and rolling toward front of range.
3. Align front edge of light cover with inside lip of end cap. Lower rear of cover into place and snap down.
4. Turn power back on at the main source (or plug the range back in).

Adjusting Right Oven Temperature

To adjust the right oven temperature, refer to the Electronic Oven Control Guide.

NOTE: The convection fan automatically turns off when the oven door is opened while oven is in a convection mode, and resumes when the door is closed again.

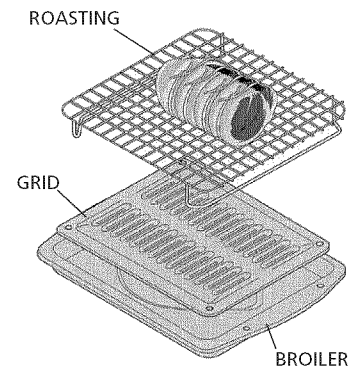
The convection oven uses a fan located in the rear wall oven to circulate heated air around the food to be cooked. The convection mode reduces the cook time. It retains the natural food juice and allows the food items to keep more flavor. This method of cooking enables you obtain the best results when baking, thawing, dehydrating and roasting foods.

Convection Notes:

1. Batch cooking is more convenient and provides better results.
2. Defrosting is quicker in convection mode compared to regular radiant cooking.
3. Remember to use tested recipes with times adjusted for convection baking/roasting when using the convection mode. Times may be reduced by as much as 30% when using the convection feature.
4. For oven temperature and setting, refer to the Electronic Oven Control Guide.

Convection Cooking

(If equipped)



When convection roasting, use the broiler pan and grid, and the roasting rack. The broiler pan will catch grease spills and the grid will help prevent grease spatters. The roasting rack will hold the meat.

1. Place oven rack on bottom or next to bottom rack position.
2. Place the grid in the broiler pan. The roasting rack fits on the grid allowing the heated air to circulate under the food for even cooking and helps to increase browning on the underside. Make sure the roasting rack is securely seated on the grid in the broiler pan. **DO NOT** use broiler pan without the grid. **DO NOT** cover the grid with aluminum foil.
3. For oven temperature and setting, refer to the Electronic Oven Control Guide.

Convection Roasting

(If equipped)

The searing grill provided with your new range allows you to grill food in the oven. **Do not use the searing grill without the broiler pan and insert.** The broiler pan and its insert allow dripping fat to drain and be kept away from high heat of the broiler. **Do not use searing grill on the cooktop.** The searing grill is not designed for use on the cooktop. Doing so may result in a fire.

⚠ CAUTION Should an oven fire occur, leave the oven door closed and turn off the oven. If the fire continues, throw baking soda on the fire or use a fire extinguisher. **DO NOT** put water or flour on the fire. Flour may be explosive.

To Use the Searing Grill

1. Place the insert on the broiler pan. **DO NOT** use the broiler pan without the insert or cover the insert with aluminium foil. The exposed fat could ignite.
2. Place the Searing Grill on top of the insert.
3. Preheat the Searing Grill by placing the stacked parts in the oven and close the door.
4. Set the oven in broil mode as described in the Electronic Oven Control Guide under Broil.
5. Allow the oven to operate for approximately 10 minutes for the Searing Grill to get hot.
6. Pull oven rack out and place food on the Searing Grill.
7. Push the oven rack in and close the oven door.
8. Broil on one side until food is browned; turn and cook on the second side. Season and serve. **NOTE:** Always pull the rack out to the stop position before turning or removing food.
9. Broil mode should be operated as described in your Electronic Oven Control Guide. When broiling is completed, end the broil cycle.

Searing Grill

(If equipped)


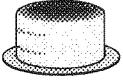
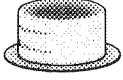
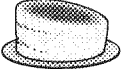
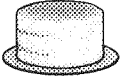
Oven Baking

For best results, preheat the oven before baking cookies, breads, cakes, pies or pastries, etc. There is no need to preheat the oven for roasting meat or baking casseroles.

The cooking times and temperatures needed to bake a product may vary slightly from your previously owned appliance.

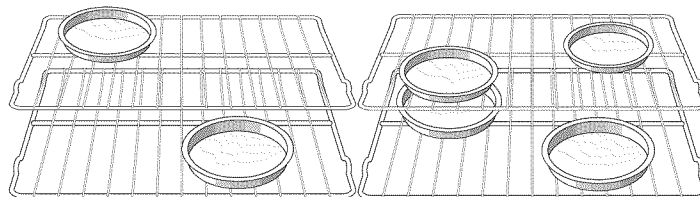
See Oven Control Guide for step-by-step baking instructions for right oven.

Refer to page 11 for step-by-step instructions for left oven.

Baking problems and solutions		
Baking Problems	Causes	Corrections
<p>Cookies and biscuits burn on the bottom.</p> 	<ul style="list-style-type: none"> • Cookies and biscuits put into the oven before the pre-heating time is completed. • Oven rack overcrowded. • Dark pan absorbs heat too fast. 	<ul style="list-style-type: none"> • Allow oven to preheat to the selected temperature before placing food in oven. • Choose pan sizes that will permit 5.1cm to 10.2cm (2" to 4") of air space on all sides when placed in the oven. • Use a medium-weight aluminum baking sheet.
<p>Cakes too dark on top or bottom.</p> 	<ul style="list-style-type: none"> • Cakes put into the oven before preheating time is completed. • Oven rack position too high or low. • Oven too hot. 	<ul style="list-style-type: none"> • Allow oven to preheat to the selected temperature before placing food in the oven. • Use proper rack position for baking needs. • Set oven temperature 25°F/12°C lower than recommended.
<p>Cakes not done in the center.</p> 	<ul style="list-style-type: none"> • Oven too hot. • Incorrect pan size. • Pan not centered in the oven. 	<ul style="list-style-type: none"> • Set oven temperature 25°F/12°C lower than recommended. • Use pan size suggested in recipe. • Use proper rack position and place pan so there is 5.1cm to 10.2cm (2" to 4") of space on all sides of pan.
<p>Cakes not level.</p> 	<ul style="list-style-type: none"> • Range not level. • Pan too close to oven wall or rack overcrowded. • Pan warped. 	<ul style="list-style-type: none"> • Place marked glass measuring cup filled with water on the center of the oven rack. If water level is uneven, refer to the installation instructions for leveling the appliance. • Be sure to allow 5.1cm to 10.2cm (2" to 4") of clearance on all sides of each pan in the oven. • Do not use pans that are dented or warped.
<p>Foods not done when cooking time is up.</p> 	<ul style="list-style-type: none"> • Oven too cool. • Oven overcrowded. • Oven door opened too frequently. 	<ul style="list-style-type: none"> • Set oven temperature 25°F/12°C higher than suggested and bake for the recommended time. • Be sure to remove all pans from the oven except the ones to be used for baking. • Open oven door only after shortest recommended baking time.

Air Circulation in the Oven

If using multiple pans, stagger as shown. If using one pan, place in center of oven.



For best air circulation and baking results, center pans as much as possible. Allow 2"-4" (5-10cm) around the utensil(s) for proper air circulation and be sure pans do not touch each other, the door, sides or back of oven. The hot air must circulate around the pans in the oven for even heat to reach all parts of the oven.

Broiling

Broiling is a method of cooking tender cuts of meat by direct heat from the broil element of the oven. Meats are placed on the broiling rack and then the rack is placed beneath the broiling element.

See Oven Control Guide for step-by-step broiling instructions for right oven.

Refer to page 11 for step-by-step instructions for left oven.

Preheating

Preheating is suggested when searing rare steaks (remove the broiler pan before preheating. Foods will stick if placed on hot metal.) To preheat, set the oven control(s) to BROIL as instructed in the Electronic Oven Control Guide. Wait for the element to become red-hot, usually about 2 minutes. Preheating is not necessary when broiling meats well-done.

To Broil

Broil on one side until the food is browned; turn and cook on the second side. Season and serve. Always pull rack out to the “stop” position before turning or removing food.

Determining Broiling Times

Broiling times vary, so watch the food closely. Time not only depends on the distance from the element, but on the thickness and age of meat, fat content and doneness preferred. The first side usually requires a few minutes longer than the second. Frozen meats also require additional time.

Broiling Tips

The broiler pan and its grid allow dripping grease to drain and be kept away from the high heat of the broiler.

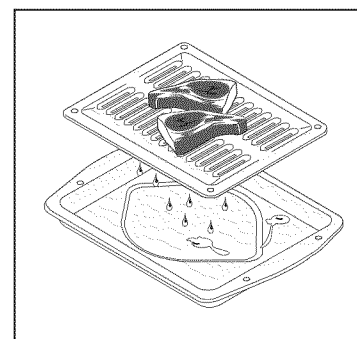
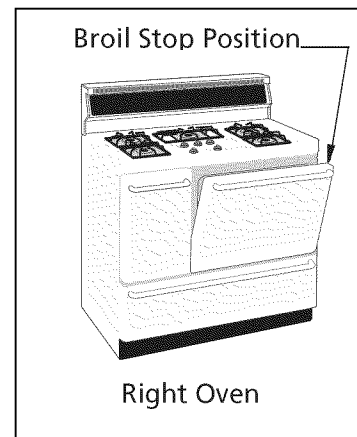
DO NOT use the pan without its grid. **DO NOT** cover the grid with foil. The exposed grease could ignite.

CAUTION Should an oven fire occur, close the oven door and turn off the oven. If the fire continues, throw baking soda on the fire or use a fire extinguisher. **DO NOT** put water or flour on the fire. Flour may be explosive.

Always pull oven rack out to the “stop” position before turning or removing food.

Broiler Clean-Up Tips:

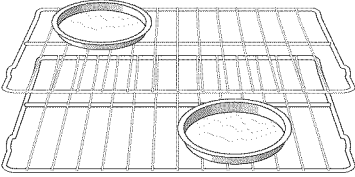
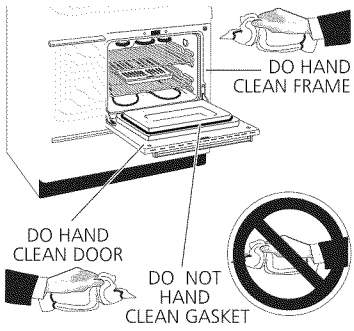
- To make cleaning easier, line bottom of the broiler pan with aluminum foil. **DO NOT** cover the broiler grid with foil.
- To prevent grease from baking on, remove the broiler pan from the oven as soon as cooking is completed. Use hot pads because the broiler pan is extremely hot. Pour off grease. Soak the pan in **HOT**, soapy water.
- Clean the broiler pan as soon as possible after each use. If necessary, use soap-filled steel wool pads. Heavy scouring may scratch the grid.



General Cleaning

Cleaning Various Parts of Your Range

Before cleaning any part of the range, be sure all controls are turned OFF and the range is cool. Remove spillovers and heavy soiling as soon as possible. Regular cleanings will reduce the effort required for major cleanings later.

Surfaces	How to Clean
Vinyl and Aluminum (Trim Pieces)	Use hot, soapy water and a cloth. Dry with a clean cloth.
Control Panel	<i>Before cleaning the control panel</i> , turn all controls to OFF and remove the control knobs. To remove, pull each knob straight off the shaft. Clean using hot, soapy water and a dishcloth. Be sure to squeeze excess water from the cloth before wiping the panel; especially when wiping around the controls. Excess water in or around the controls may cause damage to the appliance. To replace knobs after cleaning, line up the flat sides of both the knob and the shaft; then push the knob into place.
Stainless Steel Control panel, Oven door and Drawer front panel	Cleaners made especially for stainless steel as Stainless Steel Magic, or other similar cleaners are recommended. Always follow the manufacturer's instructions. Be sure to rinse the cleaners as bluish stains may occur during heating and cannot be removed.
Oven Racks 	Remove racks. See «Removing and Replacing Oven Racks» under Before Setting Oven Controls . Use a mild, abrasive cleaner, following manufacturer's instructions. Rinse with clean water and dry. After cleaning the racks, rub the sides of the racks with wax paper or a cloth containing a small amount of baby oil or salad oil (this will make the racks glide easier into the rack positions).
Searing Grill (If equipped)	For general cleaning, put in hot soapy water for approximately 10 minutes. Use a soft cloth to remove difficult soils. Rinse with a damp cloth and dry. DO NOT use abrasive cleaners or pads; they can scratch.
Cooktop, under Cooktop, Broiler Pan and Insert, Door Liner, Small Oven	Gentle scouring with a soapy scouring pad will remove most spots. Rinse with a 1:1 solution of clear water and ammonia. <i>If necessary</i> , cover difficult spots with an ammonia-soaked paper towel for 30 to 40 minutes. Rinse with clean water and a damp cloth and then scrub with a soap-filled scouring pad. Rinse and wipe dry with a clean cloth. Remove all cleaners or the porcelain may become damaged during future heating. DO NOT use spray oven cleaners on the cooktop.
Oven Door 	To clean oven door, wash with hot, soapy water and a clean cloth. DO NOT immerse the door in water. DO NOT clean the oven door gasket. The oven door gasket is made of a woven material which is essential for a good seal. Care should be taken not to rub, damage or remove the gasket.

To Clean the Cooktop Glass

The cooktop is designed to make cleaning easier. Because the burners are sealed, cleanups are easy when spillovers are cleaned up immediately. Remove burner grates before cleaning. To clean the cooktop, wipe with a clean, damp cloth and wipe dry.

Correct and consistent cleaning is essential to maintaining your heat-resistant glass top. Spills and splatters should be wiped up using a clean paper towel and sudsy water. This should be done either as soon as possible after the spill occurs, after cooking is completed, or at the latest, before using the cooktop again. Use caution if the cooktop is hot. For heavy spills, spatter or burned-on materials, use a razor blade scraper. Hold the razor blade scraper at a 30° angle and remove food spills or burned on food residue.

Finish the cleaning process by applying a recommended heat-resistant glass cooktop cleaning cream. Apply cream with clean, damp paper towel. Rinse with a paper towel dampened with clean water and wipe dry. *Always wipe the cooktop thoroughly to avoid heating any cleaning cream residue.*

Apply cleaning cream before first use of the cooktop. The cream provides a protective coating on the glass surface which makes it easier to clean. Use the cream regularly to preserve the appearance of your cooktop.

⚠ WARNING DO NOT use a cooktop cleaner on a hot cooktop. The fumes can be hazardous to your health, and can chemically damage the glass surface. Be sure the controls are turned to **OFF**. Do not use commercial oven cleaners on any part of the cooktop. Damage to the finish or parts could result.

DO NOT use the following on the heat-resistant glass cooktop:

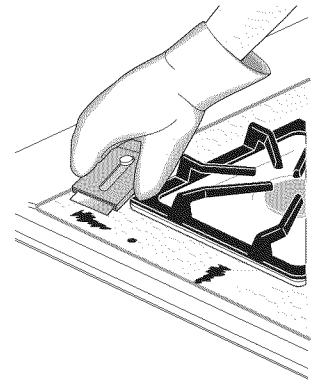
1. Abrasive plastic, nylon, metal scouring or cloth pads. They may scratch the cooktop and make it more difficult to clean later. Always use a new, clean paper towel when cleaning the heat-resistant glass top.
2. Anything that may melt (plastics, aluminum foil, sugar or food with high sugar content).
3. Heavy duty cleaners, rust or stain removers.
4. Chlorine bleach, ammonia, hydrofluoric acid or any other kind of chemical cleaners. They may etch or discolor the cooktop.
5. Sponges, cloths or dish towels. Always use new, clean paper towel when cleaning the cooktop. Lint or soil remaining on the cooktop from a cloth or sponge can burn and cause discoloration.

General Cleaning FEATURE OVERVIEW

- Cooktop Cleaning

THIS COOKTOP IS NOT REMOVABLE. Do not attempt to remove or lift the cooktop.

Heavy burned-on spills can be removed with a razor blade scraper. Use caution to avoid damaging surface.



ENGLISH

General Cleaning

- Cooktop Cleaning

To Clean the Burner Grates, Contoured Burner Pans, Burner Cap, and Burner Base

The burner grates, contoured burner pans, burner cap, and burner base should be routinely cleaned. Keeping the burner ports clean will prevent improper ignition and an uneven flame. Follow instructions below.

To Clean the Contoured Burner Pans

The square burner pans are attached to the cooktop and are not removable. The burner pan forms a recessed well area located around each burner unit. If a spill occurs in one of the four well areas, blot up spill with an absorbent cloth. Rinse with a clean, damp cloth and wipe dry.

To Clean the Grates

The burner grates and wok stand are dishwasher safe. Any remaining soil may be removed by gently scouring with a soapy scouring pad. Rinse with a 1:1 solution of clean water and ammonia. *If necessary*, cover difficult spots with an ammonia-soaked paper towel for 30 to 40 minutes. Rinse with clean water and a damp cloth, then scrub with a soap-filled scouring pad. Rinse and wipe dry with a clean cloth. Remove all cleaners thoroughly or the grate porcelain may become damaged during future heating. **DO NOT** use spray oven cleaners.

To Clean the Burner Cap

Use a soap-filled scouring pad or a mild abrasive cleanser to clean burner caps. If necessary, cover stubborn spots with an ammonia-soaked paper towel for 30 minutes. Rub gently with a soap-filled scouring pad and rinse with a mixture of clean water and vinegar. Wipe dry. Remove all cleaners thoroughly or the burner cap porcelain may become damaged during future heating.

To Clean the Burner Base and Gas Opening

The ports (or slots) around the burner base must be routinely cleaned. Use a small-gauge wire or needle to clean small slots or holes. Use care to prevent damage to the electrode. If a cleaning cloth should catch the electrode, it could break or damage the electrode. If the electrode is damaged or broken, the surface burner will not light because it will not spark. Manual lighting with a match is still possible.

For proper flow of gas and ignition of the burner—**DO NOT ALLOW SPILLS, FOOD, CLEANING AGENTS OR ANY OTHER MATERIAL TO ENTER THE GAS OPENING.** Gas must flow freely through the small hole in the brass orifice for the burners to light properly. If the gas opening orifice becomes soiled or clogged, use a small-gauge wire or needle to clean. **ALWAYS** keep the burner cap assembly and ring in place whenever a surface burner is in use.

After cleaning make sure each burner cap is properly aligned and level. Turn the burner on to determine if it will light. If the burner does not light after cleaning, contact a Sears Service Center. Do not service the sealed burner yourself.

Self-Clean Oven Cycle (Right Oven)

Adhere to the Following Precautions:

- Allow the oven to cool before cleaning.
- Wear rubber gloves when cleaning any exterior parts of the oven manually.

⚠ CAUTION During the self-clean cycle, the outside of the wall can become very hot to touch. DO NOT leave small children unattended near the appliance. A ventilation system starts automatically; it is normal for the hot air to be evacuated through the front of the appliance.

⚠ CAUTION Before cleaning any part of the oven, be sure the electronic oven control is turned off or else push CANCEL pad. Wait until the oven is cool.

⚠ CAUTION The health of some birds is extremely sensitive to the fumes given off during the self-cleaning cycle of any range. Move birds to another well ventilated room.

DO NOT use commercial oven cleaners or oven protective coatings in or around any part of the self-cleaning oven. DO NOT clean the oven door gasket. The gasket on the oven door is essential for a good seal. Care should be taken not to rub, damage or move the gasket. DO NOT use aluminum foil to line the oven bottom. This may affect cooking, or the foil could melt and damage the oven surface.

A self-cleaning oven cleans itself with high temperatures (well above cooking temperatures) which eliminate soil completely or reduce it to a fine powdered ash you can wash away with damp cloth.

Preparing the Oven for Self-Cleaning

1. Remove excess spillovers in the oven cavity before starting the self-clean cycle. To clean, use hot soapy water and a cloth. Large spillovers can cause heavy smoke or fire when subjected to high temperatures. DO NOT allow food spills with a high sugar or acid content (such as tomatoes, sauerkraut, fruit juices or pie filling) to remain on the surface as they may cause a dull spot even after cleaning.
2. Clean all soil from the oven frame and the inner door (see illustration to right). These areas heat sufficiently during self-cleaning cycle to burn soil on. Clean with soap and water. Do not clean door seal because doing so can permanently damage it.
3. Remove the broiler pan and insert all utensils and any foil. These items do not withstand high cleaning temperatures.
4. Oven racks may be left in the oven or may be removed. If they go through the clean cycle, their color will turn slightly dull. After the cycle is completed and the oven has cooled, rub the sides or the racks with wax paper or a cloth containing a small amount of baby oil or salad oil. This will make the racks glide easier.

What to Expect During Cleaning

While the oven self-cleans, it heats to temperatures much higher than those used in normal cooking. Sounds of metal expansion and contraction are normal. Odor is also normal as the food soil is being removed. Smoke may appear through the oven vent, located on the top of the control panel.

If heavy spillovers are not wiped up before cleaning, they may flame and cause more smoke and odor than usual. This is normal and safe and should not cause alarm. If available, use an exhaust fan during the self-cleaning cycle.

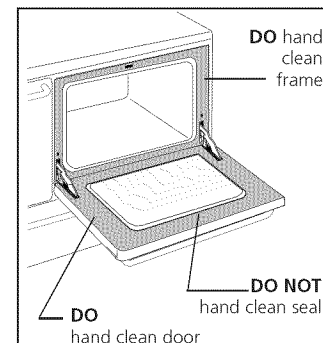
NOTE: A smoke eliminator in the oven vent converts the smoke from the self-cleaning process into a colorless vapor.

Setting the Controls for Clean Cycle

For setting a self-cleaning cycle, refer to the Electronic Oven Control Guide.

General Cleaning FEATURE OVERVIEW

- Cleaning the Self-Clean Oven
- Setting the Controls for Clean Cycle



General Cleaning

FEATURE OVERVIEW

- Oven Cleaning (Left Oven)
- To Remove and Replace Oven Door

Adhere to the following cleaning precautions:

- Allow the oven to cool before cleaning.
- Wear rubber gloves when cleaning the appliance manually.

Remove spillovers and heavy soils as soon as possible. Regular cleanings will reduce the number of future major cleanings.

CAUTION Ammonia must be rinsed before operating the oven. Provide adequate ventilation.

Porcelain Enamel Oven Cleaning (If equipped)

Porcelain has a smooth finish and is a type of glass fused to metal. Oven cleaners can be used on all interior oven surfaces.

General Cleaning

Remove soils using hot, soapy water. Do not allow food spills with a high sugar or acid content (such as milk, tomatoes, sauerkraut, fruit juices or pie filling) to remain on the surface as they may cause a dull spot even after cleaning.

To Remove Heavy Soil

1. Allow a dish of ammonia to sit in the oven overnight or for several hours with the oven door closed. Clean softened spots using hot, soapy water. Rinse well with water and a clean cloth.
2. If soil remains, use a soap-filled scouring pad or a nonabrasive cleaner. If necessary, use an oven cleaner following manufacturer's instructions. **DO NOT** mix ammonia with other cleaners.

Adhere to the following precautions when using oven cleaners:

1. **DO NOT** spray on the electrical controls or switches because it could cause a short circuit and result in sparking or fire.
2. **DO NOT** allow a film from the cleaner to build up on the temperature sensing bulb located at the top left rear corner of the oven; it could cause the oven to heat improperly. Carefully wipe the bulb clean after each oven cleaning, being careful not to move the bulb. A change in its position could affect how the oven bakes. Avoid bending the bulb and capillary tube.
3. **DO NOT** spray any cleaner on the oven door trim or gasket, handles or any exterior surfaces of the range, wood or painted surfaces. The cleaner can damage these surfaces.

To Clean the Oven Bottom

Clean using hot, soapy water, a mild abrasive cleanser, a soap-filled abrasive pad or oven cleaner following oven cleaner manufacturer's instructions.

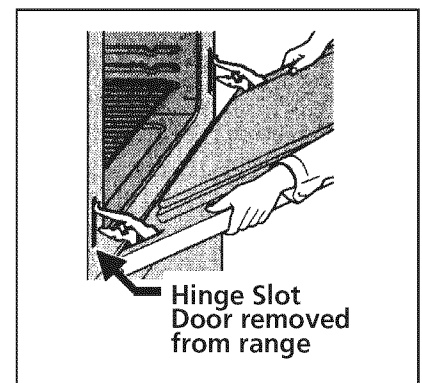
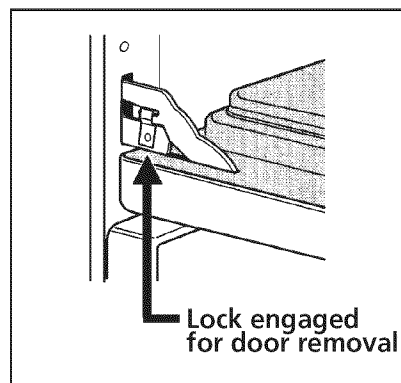
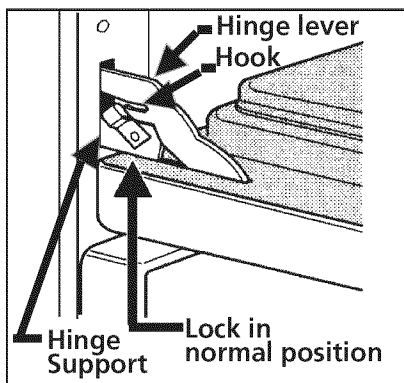
CAUTION **DO NOT** line the oven walls, bottom, racks or any other part of the appliance with aluminum foil. Doing so will destroy heat distribution, produce poor baking results and cause permanent damage to the oven interior (aluminum foil will melt to the interior surface of the oven).

Door removal

CAUTION The door is heavy. After removing door, lay it flat on the floor with its inside facing down.

To Remove and Replace Right Oven Door

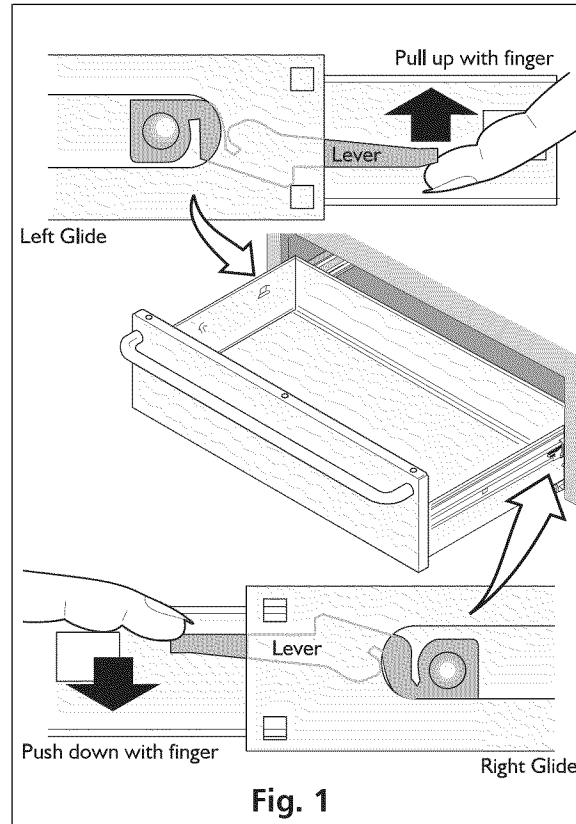
1. Open the door to the fully opened position.
2. Pull up the lock located on both hinge supports and engage it in the hinge levers. You may have to apply a little downward pressure on the door to pull the locks fully over the hooks.
3. Grab the door by the sides, pull the bottom of the door up and toward you to disengage the hinge supports. Keep pulling the bottom of the door toward you while rotating the top of the door toward the range to completely disengage the hinge levers.
4. To replace the door, reverse the door removal steps. Make sure the hinge supports are fully engaged before unlocking the hinge levers.



To Remove and Replace Storage Drawer

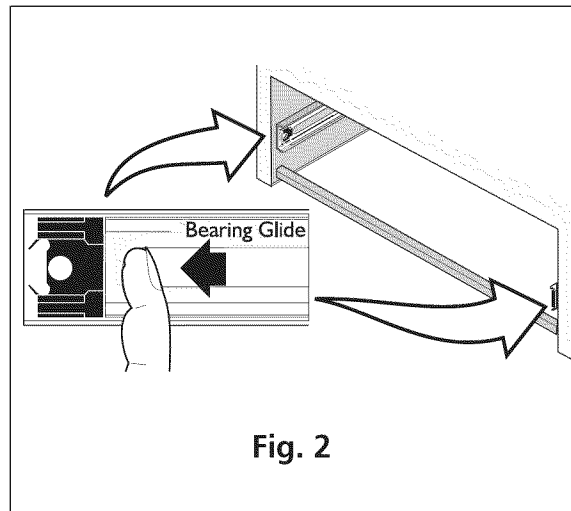
To Remove Storage Drawer:

1. Open the drawer to the fully opened position.
2. Locate the glide lever on each side of drawer; pull up on the left glide lever and push down on the right glide lever (see figure 1).
3. Pull the drawer away from the range.



To Replace Storage Drawer:

1. Pull the bearing glides to the front of the range (see figure 2).
2. Align the drawer glides with the slots on the bearing glides.
3. Push the drawer into the range until the glides levers "click" (approx. 2 in.). Pull the drawer open again to seat it into position.
4. If you do not hear the glide levers "click" or if the drawer does not feel seated, remove it and repeat steps 1 thru 3. Doing so will minimize damage to the bearing glides. Do not try to force the drawer into place.



General Cleaning FEATURE OVERVIEW

- To Remove and Replace Storage Drawer

Avoid Service Checklist

You may save the cost and inconvenience of an unnecessary service call by first reviewing this Checklist of commonly encountered problem situations.

You will be charged for a service call while the appliance is in warranty if the problem is not caused by defective product workmanship or materials.

Your new appliance is a carefully engineered product. Many times, what appears to be a reason to call service requires nothing more than a simple adjustment you can easily make in your own home.

OCCURRENCE

POSSIBLE CAUSE/SOLUTION

Range is not level.

Poor installation. To level range, refer to Leveling Guide, page 8 in the Installation Instructions. When range is level, cooktop may appear out of alignment if countertop is not level.

Weak, unstable floor. Be sure floor is level and can adequately support range. Contact a carpenter to correct sagging or sloping floor.

Kitchen cabinet misalignment may make range appear to be unlevel. Be sure cabinets are square and have sufficient room for range clearance.

Cannot move appliance easily. Appliance must be accessible for service.

Cabinets not square or are built in too tight. Contact a cabinet maker to correct the problem.

Contact builder or installer to make appliance accessible.

Carpeting interferes with range. Provide sufficient space so range can be lifted over carpet.

Entire range or oven does not operate.

Make sure cord/plug is tightly into outlet.

Service wiring is not complete. Contact your dealer, installing agent or authorized servicer.

Power outage. Check house lights to be sure. Call your local electric company for service.

*Oven control beeps and displays F1, F3 or F9.

Electronic control has detected a fault condition. Push **CLEAR** to clear the display and stop beeping. Program oven again. If fault recurs, record fault number. Push **CLEAR** and contact an authorized servicer.

Oven and/or cooktop lights does not work.

Replace or tighten bulb. See "Changing Oven Light" in this owner's Guide for instructions.

Surface unit does not heat.

No power to the appliance. Check steps under "Entire Range or Oven Does Not Operate" in this Avoid Service Checklist.

Incorrect control setting. Make sure the correct control is on for the surface unit to be used.

Surface burners do not light.

Surface control knob has not been completely turned to LITE. Push in and turn the surface control knob to LITE (until burner ignites) and then turn the surface control knob to the desired flame size.

Burner ports are clogged. Clean burners. See "To Clean Burner Grates, Contoured Burner Pans, Burner Cap and Burner Base" under General Cleaning. With the burner off, use small-gauge wire or needle to clean ports or slots.

Gas supply is turned off. Turn gas supply on.

Surface burner flame burns half way around.

Burner ports or slots are clogged. With the burner off, clean by using a small-gauge wire or needle to lean prots or slots.

Moisture is present after cleaning . Lightly fan the flame and allow the burner to operate until flame is full. Dry the burners thoroughly following instructions under General Cleaning.

<p>Surface burner flame is orange.</p>	<p>Dust particles in main line. Allow the burner to operate a few minutes until flame turns blue.</p> <hr/> <p>Salt air in coastal areas. A slightly orange flame is unavoidable.</p>
<p>Poor baking results.</p>	<p>Many factors affect baking results. Make sure the proper rack position is used. Center food in the oven and space pans to allow air to circulate. Allow the oven to preheat to the set temperature before placing food in the oven. Try adjusting the recipes' recommended temperature or baking time. If you feel the oven is too hot or cool, see "Adjusting Oven Temperature" in this owner's guide.</p>
<p>Flames inside oven or smoking from vent.</p>	<p>Excessive spillovers in oven. Set self-clean cycle for a longer cleaning time.</p> <hr/> <p>Excessive spillovers in oven. This is normal, especially for pie spillovers or large amounts of grease on the oven bottom. Wipe up excessive spillovers before starting the self-clean cycle. If flames or excessive smoke are present, stop the self-clean cycle and follow the steps under «Stopping or Interrupting the Self-Cleaning Cycle» in the Electronic Oven Control Guide.</p>
<p>Oven smokes excessively during broiling.</p>	<p>Control(s) not set properly. Follow instructions under Setting Oven Controls in the Electronic Oven Control Guide.</p> <hr/> <p>Make sure oven is opened to Broil Stop Position.</p> <hr/> <p>Meat too close to the element. Reposition the rack to provide proper clearance between the meat and the element. Preheat broil element. Preheat broil element for searing.</p> <hr/> <p>Grid on broiler pan wrong side up and grease not draining. Always place grid on the broiler pan with ribs up and slots down to allow grease to drip into pan.</p> <hr/> <p>Grease has built up on oven surfaces. Regular cleaning is necessary when broiling frequently. Old grease or food spatters cause excessive smoking.</p>
<p>Self-cleaning cycle does not work.</p>	<p>Control(s) not set properly. Follow instructions under Oven Cleaning in the Electronic Oven Control Guide.</p> <hr/> <p>Self-cleaning cycle was interrupted. Stop time must be 3 to 4 hours past the start time. Follow steps under «Stopping or Interrupting the Self-Cleaning Cycle» in the Electronic Oven Control Guide.</p>
<p>Soil not completely removed after self-cleaning cycle.</p>	<p>Failure to clean bottom, front top or oven, frame or door area outside oven seal. These areas are not in the self-cleaning area, but get hot enough to burn on residue. Clean these areas before the self-cleaning cycle is started. Burned-on residue can be cleaned with a stiff nylon brush and water or nylon scrubber. Be careful not to damage the oven seal.</p>

Notes

Tabla de materias

Registro del producto	25
Garantía de la estufa deslizable	25
IMPORTANTES INSTRUCCIONES DE SEGURIDAD	26-28
Selección de los utensilios de cocina	29
Características de la estufa.....	30
Conversión al gas propano/licuado.....	31
Cocción a la superficie	31-33
• Tamaño de llama	31
• Ajuste correcto del quemador	31
• Colocación de las basas y las tapas del quemador	32
• Colocación de las rejillas del quemador	32
• Programación de los controles de superficie	33
Antes de programar los controles del horno.....	34
Ajuste del control del horno izquierdo	34
Ajuste del control del horno derecho.....	34
Para remplazar la bombilla del horno	35
Para ajustar la temperatura del horno derecho	35

Ajustado la temperatura de la gaveta de entibiar (si equipada)	35
Cocción de convección.....	36
Rostizados de convección.....	36
Horneado.....	37
Circulación de aire en el horno	37
Rostizado	38
Limpieza general.....	39-45
• Limpieza de diferentes partes de su estufa	39
• Para limpiar la plancha de cocinar	40-41
• Limpiando el horno auto-limpiable	42
• Ajuste de los controles para el ciclo de limpieza ...	42
• Para retirar y remplazar la puerta del horno.....	43
• Limpieza del horno de esmalte de porcelana.....	43
• Para retirar y remplazar la gaveta de entibiar	44
Lista de verificación	45-46
Notas.....	47
Servicio Sears	cubierta trasera

Registro del producto

En éste espacio, inscriba la fecha de compra, modelo y número de serie de su producto. Ud. encontrará el modelo y el número de serie en una placa de identificación. La placa está localizada al lado izquierdo de la estufa y es visible cuando la puerta del horno esta abierta o en el interior de la gaveta en la parte lateral de la estufa.

Modelo No **790**..... Fecha de compra.....

No de serie Guarde estas instrucciones y su boleta de pago para consultación futura.

Garantía de la estufa deslizable

UN AÑO COMPLETO DE GARANTÍA SOBRE TODOS LOS COMPONENTES.

Si, dentro del año a partir de la fecha de instalación, cualquier componente de este producto deja de funcionar debido a algún defecto del material o de la fabricación, Sears lo reparará o lo remplazará, según su criterio, sin costo alguno.

LOS SERVICIOS DE GARANTÍA SON DISPONIBLES CONTACTANDO AL CENTRO DE SERVICIO MAS CERCANO EN LOS ESTADOS UNIDOS.

Esta garantía le otorga derechos legales específicos, y Ud puede tener otros derechos que puedan varias de un estado a otro.

Sears Roebuck and Co. Dept. 817 WA Hoffman Estates, IL 60179

Para aumentar el valor de su alcance , compre un Acuerdo de Mantenimiento SEARS.

“Mantenemos lo que vendemos” es nuestra garantía para que Ud. pueda depender del servicio Sears. Su electrodoméstico Kenmore ha aumentado de valor cuando Ud considera que Sears posee unidades de servicio a través de todo el país con personal capacitado en la reparación de todo electrodoméstico vendido por Sears. Ellos poseen el conocimiento y las habilidades, las herramientas, componentes y el material para asegurar nuestra prenda: “Mantenemos lo que vendemos”.

Mantenga el valor de su compra con un Acuerdo de Mantenimiento Sears. Los aparatos Kenmore son diseñados, fabricados y verificados para obtener años de operaciones. El Acuerdo de Mantenimiento Sears le ofrece un excelente programa de servicio para su producto.

El Acuerdo de Mantenimiento SEARS:


- Es su manera de comprar los servicios del mañana a los precios de hoy .
- Elimina las facturas por reparación que resultan del uso normal.
- Permite las llamadas de servicio que necesite.
- Le ofrece una Verificación Annual Preventiva cuando lo desee para mantener su aparato Kenmore en las mejores condiciones.

Para más información, llamar al 1-800-827-6655

IMPORTANTES INSTRUCCIONES DE SEGURIDAD

Lea todas las instrucciones antes de utilizar el aparato
Guarde estas instrucciones para futura consultación

Este manual contiene importantes mensajes de seguridad. Siempre lea y obedezca todo mensaje de seguridad.

Este es el símbolo  de alerta de seguridad. Le advierte sobre mensajes de seguridad que le informan de los peligros que pueden herir o matar a Ud y a otros, o ocasionar daño al producto.

⚠️ ADVERTENCIA Indica una situación muy peligrosa, la cual de no ser evitada puede ocasionar graves heridas y hasta la muerte.

⚠️ AVISO Indica una situación de peligro inminente, la cual de no ser evitada puede ocasionar heridas leves o daños al producto solamente.

Todos los mensajes de seguridad identificarán el peligro, le dirán como reducir el riesgo de herida y además le dirán lo que puede ocurrir si no sigue las instrucciones.

⚠️ ADVERTENCIA Si todas las instrucciones de éste manual no son observadas a la letra, se puede ocurrir incendios o explosiones que pueden causar daños materiales, lesiones o la muerte.

PARA SU SEGURIDAD:

- No almacene o utilice gasolina u otros vapores y líquidos inflamables cerca de éste o cualquier otro artefacto.
- **QUE HACER SI HAY FUGAS DE GASÆ:**
 - No intente de encender ningún artefacto
 - No toque ningún interruptor eléctrico; no utilice ningún aparato telefónico en su edificio.
 - Llame inmediatamente el abastecedor de gas desde el teléfono de un vecino. Siga las instrucciones del abastecedor de gas.
 - En caso que no puede contactar el abastecedor de gas llame al departamento de bomberos.
- La instalación y el servicio deben ser realizados por un instalador calificado, por un servicio técnico certificado o por el abastecedor de gas.



- Toda estufa puede inclinarse.
- Heridas a las personas pueden ocurrir.
- Instale la fijación que viene con la estufa.
- Vea las instrucciones de instalación.



Para reducir el riesgo de inclinación, la estufa debe ser asegurada con la instalación de las fijaciones que vienen con la estufa. Para verificar si las fijaciones han sido instaladas correctamente, retire el panel inferior o gaveta de almacenamiento y verifique que las fijaciones estén bien colocadas. Consulte las instrucciones de instalación para una buena instalación.

- Retire toda cinta adhesiva y empaquetado antes de usar la estufa. Destruya el cartón y las bolsas de plástico después de haber desenvuelto la estufa. No permita que los niños jueguen con el material de empaquetado.
- **Instalación correcta - Asegúrese que su artefacto está correctamente instalado y puesto a tierra por un electricista calificado, en conformidad con el National Fuel Gas Code ANSI Z223.1 - última edición y con el National Electrical Code ANSI/NFPA No. 70 - última edición y requerimientos de códigos locales.** Instale solamente en conformidad con las instrucciones de instalación provistas en el paquete de literatura que viene con esta estufa.

Solicite de su distribuidor de recomendarle a un técnico calificado y una agencia de reparación autorizada. Asegúrese de saber como desconectar el corriente a la estufa al cortacircuitos o la caja de fusibles, y el suministro de gas a la válvula de cierre principal en caso de emergencia. Retire el cajón para acceder a la válvula.

- **Servicio al usuario- No repare o reemplace ninguna pieza de su aparato a menos que se lo recomiende los manuales específicamente.** Cualquier tipo de servicio debe ser hecho por un técnico calificado. Esto reducirá el riesgo de heridas personales o de daños al aparato.
- **Nunca modifique o altere la constitución de una estufa moviendo la patas niveladoras, ni el alambrado, ni las fijaciones de anti-inclinación u otra parte del aparato.**

⚠️ ADVERTENCIA El apoyarse, pisar o sentarse en la puerta o en la gaveta de esta estufa puede ocasionar graves heridas y también daños al aparato. No permita que los niños jueguen o se suban sobre la estufa. El peso de un niño sobre la puerta abierta puede hacer que ésta se incline, causando graves quemaduras u otro tipo de heridas.

⚠️ ADVERTENCIA No use el horno para almacenamiento.

⚠️ AVISO No almacene objetos de interés para los niños en los armarios que están sobre la cocina. El niño que trata de subir sobre la estufa para alcanzarlos podría lastimarse.

⚠️ ADVERTENCIA Nunca utilice su aparato para calentara o entibiar la pieza.

- **Almacenamiento sobre o dentro del aparato- Los materiales inflamables no deberían ser almacenados ni en un horno, ni sobre la unidad, ni en las gavetas (si equipada).** Esto incluye el papel, el plástico y la ropa como: libros de cocina, recipientes de plástico o toallas, así como líquidos inflamables. No almacene explosivos como latas de aerosol sobre o dentro del aparato. Los materiales inflamables pueden explotar y ocasionar fuego o daños a la propiedad.

IMPORTANTES INSTRUCCIONES DE SEGURIDAD

- **No deje a los niños solos-** Los niños no deben ser dejados solos o sin atención donde el aparato esté funcionando. No les permita sentarse o pararse sobre ninguna parte del aparato.

- **NO TOQUE A LA SUPERFICIE DE LOS QUEMADORES, ÁREAS CERCA DE ESTOS QUEMADORES, ELEMENTOS CALIENTES DEL HORNO O LA SUPERFICIE AL INTERIOR DEL HORNO.**

La superficie de los quemadores y los elementos del horno pueden estar calientes aún cuando están de color moreno. Áreas cerca de la superficie de los quemadores pueden estar suficientemente calientes para causar quemaduras. Durante y después uso, no toque y no deje ropa o otro material inflamable entrar en contacto con estas áreas antes de dejarles enfriarse. Entre estas áreas son la plancha de cocinar y la superficie en frente de la plancha de cocinar, las aberturas de ventilación del horno y la superficie cerca de estas aberturas, la puerta del horno y la ventana.

- **Use una vestimenta apropiada-** No use ropa que es suelta u holgada cuando utilice el aparato. No ponga la ropa u otros materiales inflamables en contacto con las áreas calientes.
- **No utilice agua o harina para apagar un fuego-** Apague el fuego con la tapa de una sartén o use soda cáustica, un químico seco o un extinguidor en aerosol.
- **Cuando caliente sustancias grasosas, tenga cuidado.** Puede ocasionar un fuego si es calentado por mucho tiempo.

⚠ ADVERTENCIA En caso de incendio o fugas de gas, asegúrese de cerrar la válvula de cierre principal.

- **Utilice únicamente los soportes para recipientes que estén secos-** Los soportes que estén húmedos o mojados pueden ocasionar quemaduras a causa del vapor. No permita que los soportes estén en contacto con las superficies calientes. No utilice una toalla o un papel para remplazar al soporte.
- **No caliente recipientes de comida que están cerrados-** La presión al interior de estos puede hacerlos explotar y ocasionar heridas.
- **Retire la puerta del horno de toda estufa inutilizada si esta va ser almacenada o destruida.**

IMPORTANTE- No trate de utilizar el horno durante un corte de electricidad. Si no hay electricidad, apaga su estufa. Si no apaga el horno y que la electricidad es restablecida, el horno puede seguir funcionando. La comida que deja sin cuidado puede quemarse o deteriorarse.

⚠ ADVERTENCIA Use un tamaño de caldera adecuada - Gradue el tamaño de la llama de modo que no sobrepase el borde del utensilio de cocina. El uso de utensilio de tamaño menor que lo normal expondrá directamente una parte de la llama del quemador y puede causar a la ropa de encenderse. El tamaño de utensilio apropiado a la llama mejorará también la eficacia.

⚠ ADVERTENCIA No use parrillas de horno superiores sobre las depresiones de los quemadores sellados a gas - Si use una parrilla de horno superior sobre un quemador a gas sellado, va a ocurrir una combustión incompleta, y puede generar niveles de monóxido de carbono superiores a los estándares permitidos. Esto puede ser perjudicial para la salud.

⚠ ADVERTENCIA Los controles eléctricos pueden ser dañados con frías temperaturas. Cuando utilice su estufa por la primera vez, o si no ha sido utilizada por mucho tiempo asegúrese que no haya sido expuestas a temperaturas más altas que 0°C/32°F por más de 3 horas antes de conectar su estufa al suministro eléctrico.

INSTRUCCIONES IMPORTANTES PARA UTILIZAR SU PLANCHA DE COCINAR

- **Asegúrese de saber cual botón enciende cada unidad de superficie.** Use siempre la posición de ENCENDIDO (Lite) para prender los quemadores. Asegúrese de que el quemador halla encendido. Entonces ajuste la llama de manera que no sobrepase el borde del utensilio de cocina.
- **Utilice una sartén de tamaño apropiado.** Este aparato está equipado con quemadores de diferentes tamaños. Elija utensilios con las bases aplanadas y lo suficientemente grandes para cubrir todo el área del quemador. Utilizar utensilios más pequeños puede exponer parte del quemador y ocasionar quemaduras de las prendas que lleva puesta.
- **Los mangos de los utensilios deben ser colocados hacia el interior y no sobre otras unidades de superficie-** Para reducir el riesgo de quemaduras, el encendido de materiales inflamables y los derrames ocasionados de casualidad. El mango del utensilio debe ser colocado hacia el interior y no sobre otras unidades de superficie.
- **Nunca deje los quemadores con alta temperatura sin cuidado-** Los derrames ocasionan humo y derrames grasosos que pueden encenderse, o una sartén que ha calentado por mucho tiempo puede derretirse.
- **Delineadores protectores-** No utilice película de aluminio a la base del horno u otra parte del aparato. Sólo utilícela para cubrir la comida cuando esté cociéndola. Cualquier otra utilización puede ocasionar un incendio, una electrocución o un cortocircuito.
- **Utensilios de cocina envidriados-** Sólo algunos tipos de utensilios de vidrio, de vidrio/cerámica, de cerámica pueden resistir la temperatura del quemador de su plancha de cocinar. Verifique las recomendaciones del fabricante sobre el uso con las planchas de cocinar.
- **No use cubiertas decorativas de superficie de quemador.** Si un quemador se enciende accidentalmente, la cubierta decorativa va a calentarse y posiblemente fundirse. Se puede ocurrir quemaduras si toque a las cubiertas calientes. Esto puede también dañar la plancha de cocinar o los quemadores porque las cubiertas pueden causar sobrecalentamiento. El aire va a bloquear desde el quemador y causar problemas de combustión.

IMPORTANTES INSTRUCCIONES DE SEGURIDAD

PARA PLANCHAS DE COCINAR SOLAMENTE

- No limpie o utilice una plancha de cocinar que está rota
- Limpie el vidrio de la plancha de cocinar con cuidado No coloque recipientes de cocina calientes sobre el vidrio de la plancha de cocinar-Evite de raspar el vidrio de la plancha de cocinar con objetos muy filados.

INSTRUCCIONES IMPORTANTES PARA UTILIZAR SU HORNO.

- **Tenga cuidado cuando abra la puerta del horno.** Párese al lado de la estufa cuando abra la puerta de un horno caliente. Permita que el humo y el vapor se escapen antes de retirar o de colocar comida en el horno/gaveta de entibiar.
- **Mantenga el conducto de ventilación del horno sin obstrucción.**
- **Colocación de las rejillas del horno.**
- **No utilice la cubeta parrillera sin su accesorio**
- **No cubra el accesorio de la parrilla con película de aluminio.**
- **No toque la bombilla de luz caliente con una tela mojada**

IMPORTANTES INSTRUCCIONES PARA LIMPIAR SU COCINA.

- **Limpie la estufa regularmente para mantener todas las partes sin grasa que puede encenderse y causar un incendio.** La cubierta del escape de ventilación y los filtros de grasa deben estar limpios. No permita que la grasa se acumule en la cubierta o en el filtro. Los depósitos grasosos pueden encenderse y causar un incendio. Cuando caliente comida bajo la cubierta, encienda el ventilador. Consulte las instrucciones del fabricante para la limpieza.

- **Limpiadores de estufa y aerosoles**

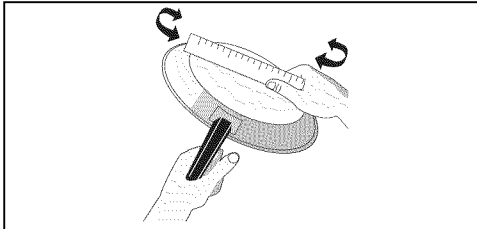
HORNO CON AUTO-LIMPIEZA

- **Limpie en el ciclo de auto-limpieza únicamente las partes que están en la lista del "Manual del usuario".** Antes de auto-limpiar el horno, retire la cubeta parrilla y cualquier otro utensilio o comida del horno.
- **No utilice limpiadores de horno.**
- **No limpie las empaquetadoras del horno.**
- **Retire las rejillas del horno**

GUARDE ESTAS INSTRUCCIONES

Para mejores resultados y conservación de la energía, seleccione utensilios de cocina con las características siguientes:

Selección de los utensilios de cocina

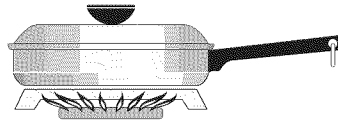


Los sartenes deben de tener las partes de debajo planas. Asegúrese que la parte está plana girando una regla de un lado a otro de la parte de debajo. No debe tener ningún boquete entre el sartén y la regla.

Nota: Siempre use utensilios según sus usos propuestos. Siga las instrucciones que sean recomendados por el fabricante. Algunos utensilios no han sido diseñados para ser utilizados en el horno o sobre la plancha de cocinar.

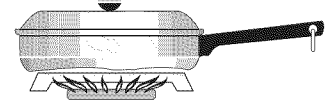
AVISO No use encimeras sobre más de un quemador. Pueden dañar a su plancha de cocinar y generar niveles de monóxido de carbono superiores a los estándares permitidos, que serían perjudiciales para la salud.

*BUENO

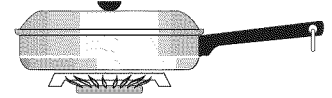


- Parte de debajo plana y lados rectos.
- Tapa bien cerrada.
- Peso de la asa no incline a la sartén. El sartén está bien balanceado.
- El tamaño del sartén iguale a la cantidad de comida a cocinar.
- Fabricado con materiales buenos conductores de calor.
- Fácil a limpiar.

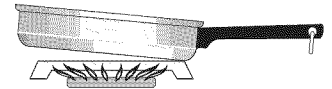
POBRE



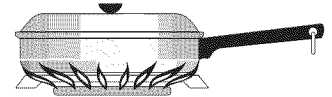
- Debajo de sartén torcidos y alabeados



- Sartén sobresale una unidad de más que una pulgada o 2,5 cm (1").



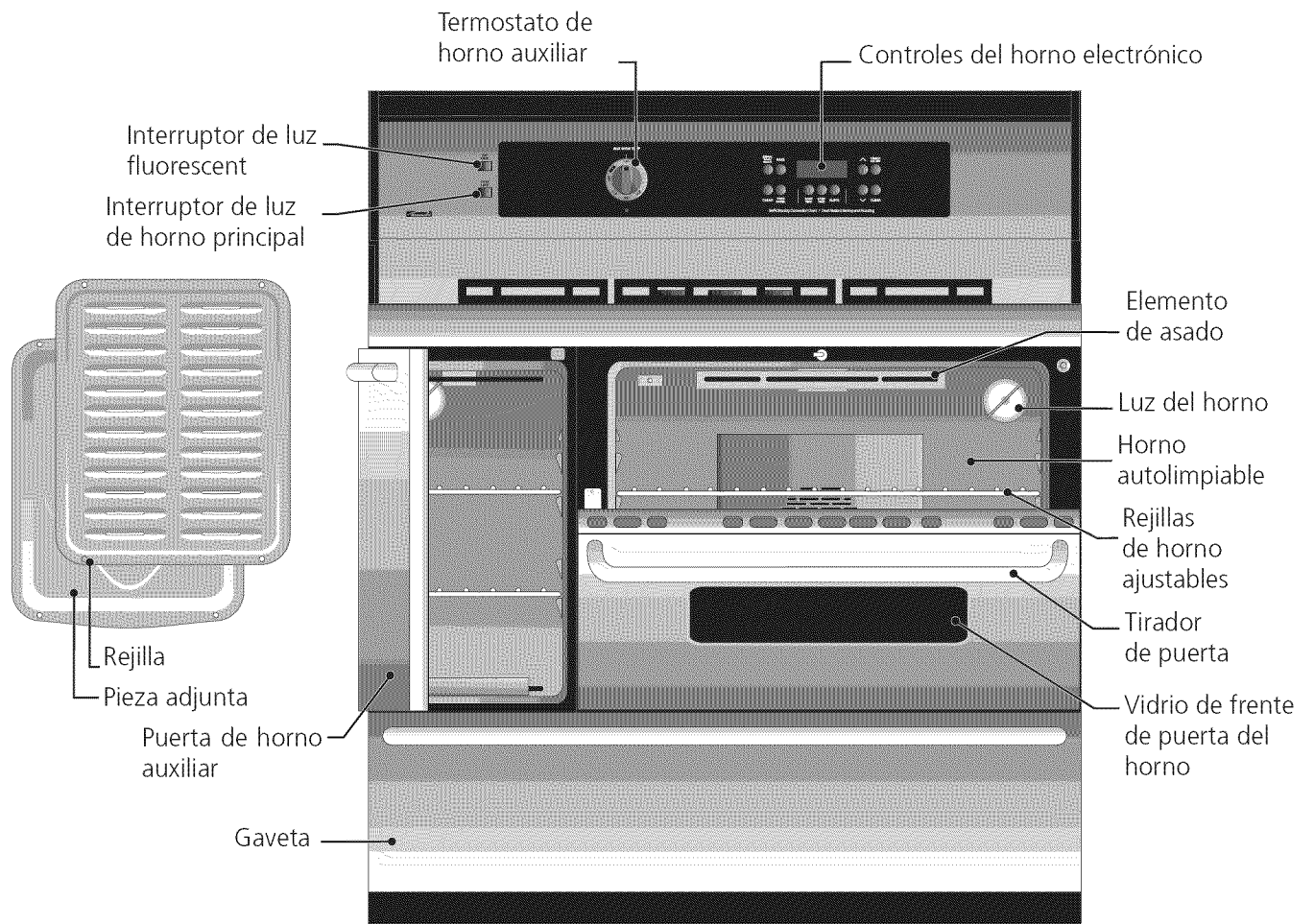
- Peso de la asa incline al sartén.



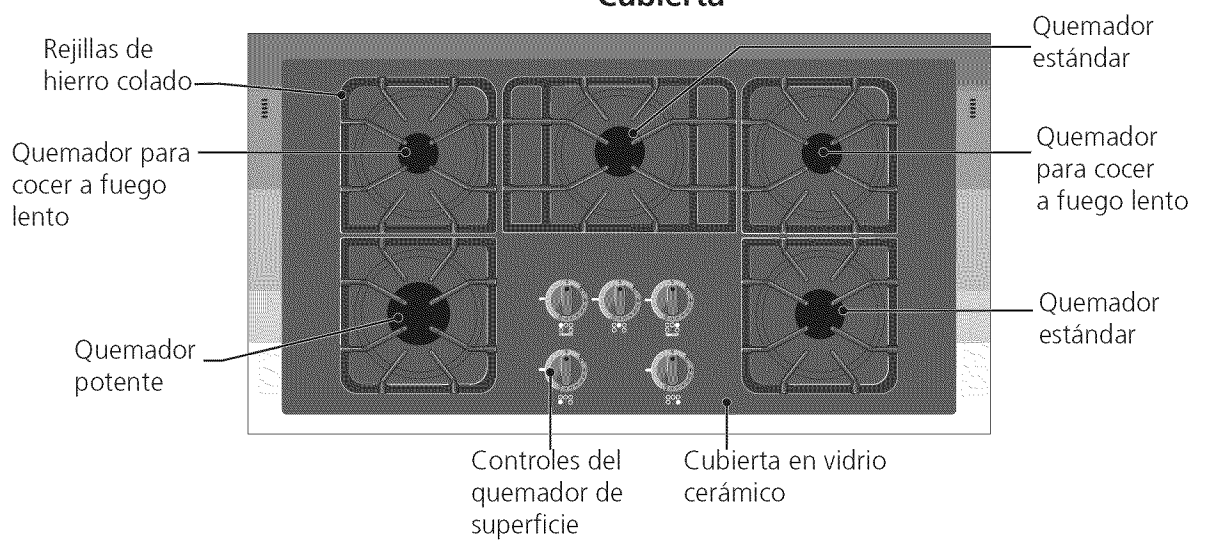
- Llama sobresale la unidad.

* Los sartenes con cualidad distintiva, como marmitas para cocer a langostas, placas y cocedores a presión pueden estar utilizados, pero deben cumplir con los requerimientos recomendados más arriba.

Características de la estufa



Cubierta



Esta estufa ha sido diseñada para utilizar gas natural o gas propano. Ha sido fijada en la fábrica para utilizarse con gas natural.

Si desea hacer la conversión para utilizar el gas propano, use las instrucciones en el paquete escrito "PARA LA CONVERSIÓN EN GAS PROPANO".

Para hacer la conversión del gas natural al gas propano, es necesario utilizar el servicio de un técnico calificado, in acuerdo con las instrucciones del fabricante y todos los códigos y reglamentos reguladores. Si todas las instrucciones no son observadas, se puede ocurrir severos lesiones o daños materiales. La agencia calificada que hace el trabajo asuma la responsabilidad para la conversión.

⚠️ ADVERTENCIA Se puede ocurrir severos choques eléctricos o daños a la plancha de cocinar si no está instalada por un instalador o electricista calificado.

⚠️ AVISO Todos los cambios o conversiones requisitos para que este aparato funciona correctamente deben de ser realizados por un centro de servicio autorizado Sears, un distribuidor autorizado o una agencia calificada.

Conversión al gas propano/licuado

Tamaño de llama

Para la mayoría de las comidas, empieza con el más alto ajuste de control, y después gire al ajuste más bajo para terminar el proceso. Utilice las informaciones en la tabla a continuación como una guía para determinar el tamaño de llama adecuada para diferentes tipos de comidas. El tamaño y tipo de utensilio utilizado y la cantidad de comida para cocer van a determinar el ajuste necesario para la cocción.

Para grandes frituras, use un termómetro y ajuste el control de la superficie de la perilla en consecuencia. Si la grasa está demasiada enfriada, la comida va a absorber la grasa y estar aceitosa. Si la grasa está demasiada caliente, la comida va a dorarse demasiada rápidamente y el centro estará insuficientemente cocinada. No trate de hacer demasiada frituras a la vez, la comida estará ni dorada ni suficientemente cocinada.

*Tamaño de llama	Tipo de cocción
Alta llama	Para empezar la mayoría de las comidas; llevar agua a ebullición; asar a cacerola
Media llama	Guardar a fuego lento; espesar jugo de carne, salsas; cocinar al vapor
Baja llama	Guardar comidas cociniendas; escalfar; ragús

* Estos ajustes están basados sobre el uso de sartenes y tapas con medio-peso de aluminio. Los ajustes pueden variar con otros tipos de sartenes.

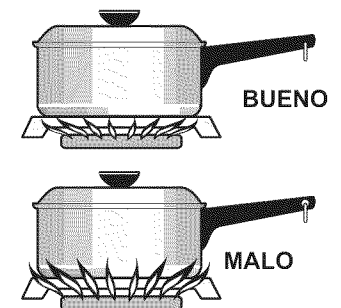
Nunca deje la llama sobrepasar el borde del utensilio de cocina. Una llama elevada va solamente a despilfarrar calor y energía, y aumentar el riesgo de quemarse.

Cocción a la superficie

CARACTERÍSTICAS

BREVES

- Tamaño de llama
- Ajuste correcto del quemador
- Colocación de las basa y las tapas del quemador



ESPAÑOL

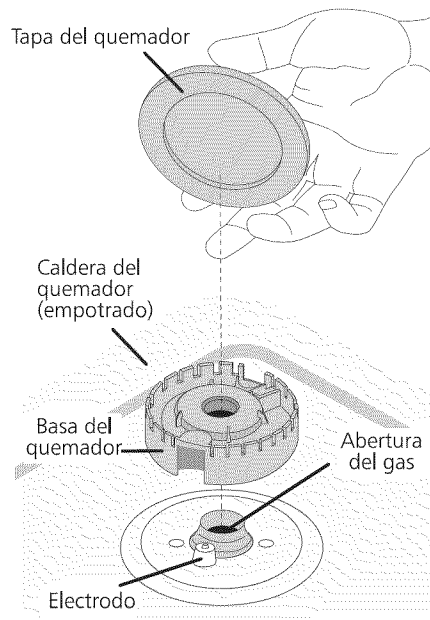
Ajuste correcto del quemador

El color de la llama señale el ajuste correcto del quemador. Una llama correcta está clara, azul y apenas visible en una habitación bien alumbrada. Cada cono de llama debería ser firme y afilado. Ajuste o limpie al quemador si la llama está amarilla-anaranjada. Para limpiar el quemador, vea las instrucciones en la parte titulada Limpieza general.

Colocación de las basas y las tapas del quemador

Su plancha de cocinar viene equipada con tres diferentes tamaños de quemadores: quemador de fuerza, quemador estándar y quemador para hervir.

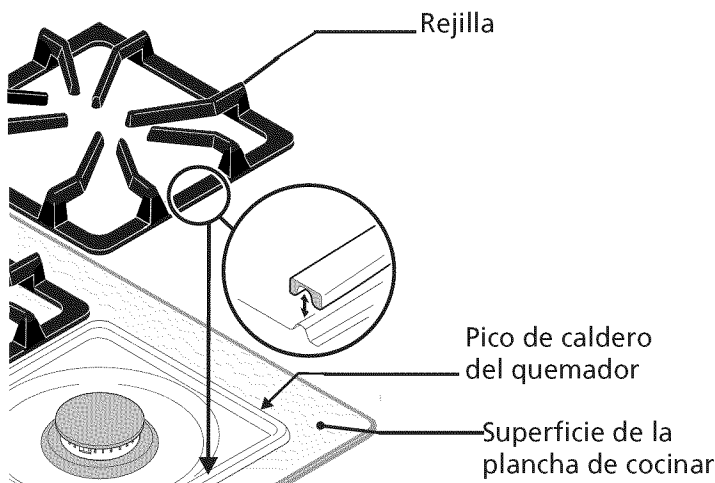
Coloque la tapa del quemador sobre cada abertura de gas, apareando el tamaño de la basa del quemador con el tamaño de la abertura del gas. Coloque la tapa del quemador sobre cada basa de quemador, apareando otra vez el tamaño de la tapa al tamaño de la basa del quemador. La tapa de cada quemador tiene un anillo interior que coloque la tapa del quemador en el centro del quemador.



Asegúrese que cada tapa de quemador está correctamente alineada y nivelada. Abierta el quemador para verificar si va a encender. Si el quemador no enciende, póngase en contacto con un centro de servicio autorizado. No debe realizar a usted la reparación del quemador sellado.

Colocación de las rejillas del quemador

Coloque la rejilla sobre las calderas del quemador. Asegúrese que la ranura por debajo de la rejilla se ajusta sobre el pico levantado del caldero del quemador. Las esquinas redondas de las rejillas deberían estar ubicadas en la parte de adelante de la plancha de cocinar para los quemadores delanteros, y la parte posterior de la plancha de cocinara para los quemadores traseros.



Cocción de superficie

CARACTERÍSTICAS

BREVES

- Colocación de las rejillas del quemador
- Programación de los controles de superficie

Programación de los controles de superficie

Su plancha de cocinar puede ser equipada con cualquier combinación de los quemadores a continuación:

Quemador para hervir, la utilización de este quemador es mejor para hervir salsas delicadas, etc.

Quemador estándar, el quemador estándar puede estar utilizado para la mayoría de cocciones sobre la superficie de la plancha de cocinar.

Quemador grande, la utilización del más grande quemador es mejor para llevar grande cantidad de líquidos a temperatura, y para preparar grandes cantidades de cocina.

Poco importa la cantidad, seleccione siempre a un utensilio apropiado a la cantidad y tipo de comida que usted está preparando. Seleccione un quemador y un tamaño de llama apropiado a la caldera. No permite nunca que las llamas sobrepasen el borde de la caldera.

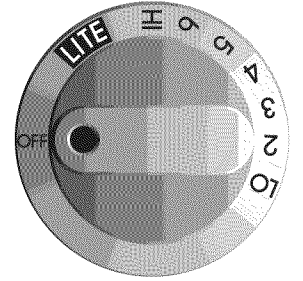
Su plancha de cocinar viene también equipada con válvulas rotativas de 270. Estos válvulas proveen mejor control de la llama del quemador. Cada quemador se enciende automáticamente desde un dispositivo de encendido cada vez que el botón de control esta girando a la posición LITE (encendido).

⚠ AVISO No ponga artículos de plástico, como agitadores de sal o de pimienta, soportes de cucharas o cubiertas de plástico sobre la plancha de cocinar. Podrían fundirse o encenderse. Cogeollas secos, toallas o cucharas de madera pueden encenderse si están muy cerca de la llama.

Para hacer funcionar el quemador de superficie:

1. Coloque el utensilio de cocina sobre el quemador.
2. **Presioné y gire** el botón de control de superficie hasta LITE (Encendido). Nota: Todos los dispositivos eléctricos van a emitir golpecidos secos como un clic al mismo tiempo. Sin embargo, solamente el quemador que está girando va a encenderse.
3. Asegúrese que el quemador halla encendido.
4. **Presioné y gire** el botón de control al tamaño de la llama deseada. No es necesario ajustar los controles en una marca determinada. Use las marcas como una guía y ajuste la llama según se desea. No debe cocinar con el botón de control de superficie en la posición LITE (El dispositivo de encendido eléctrico continuará con el golpecito de un clic si está dejado en la posición de LITE (encendido) y va a causar un deterioro prematuro).

Los quemadores de superficie pueden encenderse manualmente durante una interrupción del suministro eléctrico. Para encender un quemador, mantenga un fósforo encendido en el extremo del quemador, luego gire suavemente la perilla hasta LITE (encendido). Tener cuidado al encender los quemadores en forma manual.

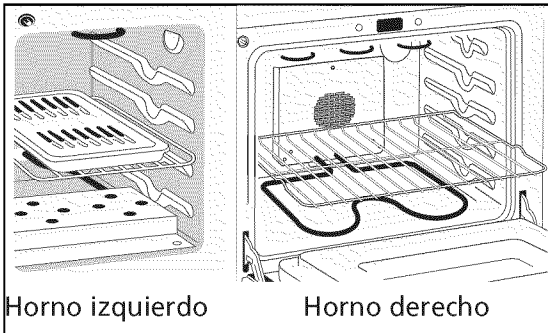


Nota: Es posible que el vidrio blanco parezca verde cuando está caliente, esto es normal, y el vidrio volverá blanco cuando se enfría.

Programando los controles del horno

CARACTERÍSTICAS BREVES

- Antes de programar los controles del horno
- Ajuste de los controles del horno



Antes de programar los controles del horno

Localización de la rejilla de ventilación del horno

El horno está ventilado detrás de la plancha de cocinar. Cuando el horno está encendido, aire tibio sale por las rejillas. Este ventilado es necesario para una buena circulación de aire en el horno y para obtener buenos resultados con el horneado. NO obstruya las rejillas. Si hace esto, puede ocasionar problemas de cocción, un fuego o daños a su aparato.

Para fijar las rejillas del horno

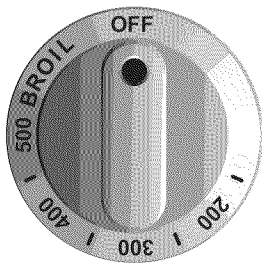
SIEMPRE FIJE LAS REJILLAS DEL HORNO CUANDO EL HORNO SE ENFRIE (ANTES DE PONER EL HORNO EN FUNCIONAMIENTO).

Siempre use guantes cuando el horno está en funcionamiento.

Para retirar una rejilla del horno, tire la rejilla hacia afuera hasta que se detenga. Levante hacia arriba y tire hacia afuera.

Para reemplazar una rejilla, ponga la rejilla sobre los rieles de la pared del horno. Incline la parte delantera de la rejilla hacia adelante y deslízale hasta el fondo.

Control de la temperatura
Horno izquierdo



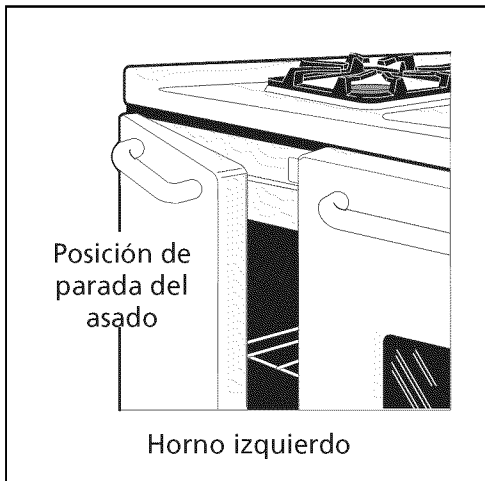
Ajuste del control de horno izquierdo

Para hornear

1. Coloque las rejillas del horno mientras que el horno está todavía frío. vea "Colocando las rejillas del horno" en la sección Antes de ajustar los controles del horno.
2. Gire la perilla de control de la temperatura hasta la temperatura del horno deseada. Cuando el horno es encendido, la luz indicadora debajo de la Perilla de control del horno se encenderá.
3. Precaliente el horno por 10-12 minutos antes de hornear. El precalentamiento no es necesario para hornear, preparar cacerolas o para rostizar la mayoría de las comidas. Cuando alcance la temperatura que desea, la luz indicadora del horno se apagará. La luz luego se encenderá y se apagará al mismo ritmo que los ciclos del elemento para mantener la misma temperatura.
4. Cuando termine de cocer, gire la perilla de control de la temperatura a OFF (apagado).

Para rostizar

1. Coloque las rejillas del horno mientras que el horno está todavía frío. Para carnes raras, coloque la parrilla cerca del elemento (posición superior). Para las comidas bien cocidas como el pollo, las colas langostas o gruesos pedazos de carne, coloque la parrilla lejos del elemento (a una posición mas baja).
2. Gire la parrilla del control de la temperatura a BROIL (rostizar). Para archirrar raros biftecs, deje que el elemento se ponga de un rojo incandescente -unos 2 minutos- antes de colocar la comida en el horno.
3. Coloque la rejilla en la parrilla izquierda del horno y luego coloque la carne sobre la rejilla. NO USE la parrilla sin la rejilla o cura la rejilla con una película de aluminio. La grasa que queda al descubierto puede encenderse.
4. Coloque la parrilla izquierda sobre el carril del horno. Cierre la puerta del horno a la posición de pare del rostizado para rostizar (abierto a unas 2 pulgadas).
5. Rostice de un lado hasta que la comida este dorada, voltee la y cosa del otro lado. Sazone y sirva. Nota: Siempre tire el carril hasta la posición de pare antes de voltear o de retirar la comida.
6. Cuando el rostizado halla terminado, gire la perilla del control de la temperatura a la posición OFF.



AVISO Si un incendio ocurra, deje la puerta del horno cerrada y apáguelo. Si el fuego persiste, aplique soda cáustica sobre el fuego o use un extinguidor. NO eche agua ni harina sobre el fuego. La harina puede ser explosiva.

Ajuste del control de horno derecho

Para los ajustes del horno derecho, consulte la Guía de control del horno electrónico.

⚠ AVISO Asegúrese que el horno esté desconectando y que todas las partes estén FRÍAS antes de reemplazar la bombilla de la luz. No encienda la luz del horno durante un ciclo de auto-limpieza. Las altas temperaturas disminuirán la duración de la bombilla.

Para reemplazar la bombilla del horno

En algunos modelos, una luz interna se encenderá cuando la puerta del horno se abre. Puede encender la luz del horno aún cuando la puerta está cerrada usando el interruptor localizado en el control del horno electrónico.

1. Corte el suministro eléctrico a la fuente principal o desconecte el horno.
2. Utilice guantes de cuero para su protección por si el vidrio se rompe.
3. Presione el sujetador del alambre hacia un lado para liberar la pantalla de vidrio.
4. Reemplace la bombilla con una nueva de 40W..
5. Coloque la pantalla de vidrio en el soquete y ajuste el sujetador del cable en su lugar.
6. Restablezca el suministro eléctrico a la fuente principal (o vuelva a conectar el aparato).
7. El reloj tendrá que ser re-ajustado. Para ajustarlo, vea **Ajustar el reloj y el contador de tiempo** en la Guía del control eléctrico.

Para reemplazar la bombilla de la plancha de cocinar (si equipada)

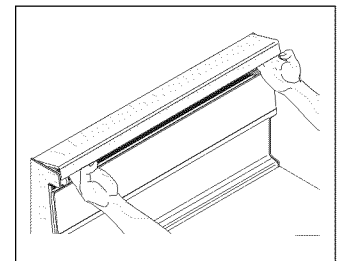
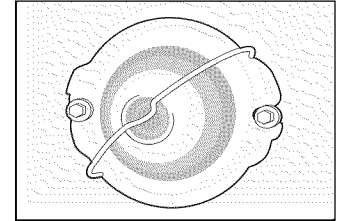
Su modelo tiene una cubierta de campana que se levanta o dos tornillos Phillips que aseguran la cubierta de la luz. ANTES DE REPLAZAR LA LUZ DE LA PLANCHA DE COCINAR, ASEGÚRESE DE CORTAR EL SUMINISTRO ELÉCTRICO A LA FUENTE PRINCIPAL O DE DESCONECTAR LA COCINA.

Para los modelos con una cubierta de campana que se levanta, siga estas instrucciones:

1. Sostenga el borde frontal de la cubierta de campana como ilustrado en la columna de a lado. Tire hacia adelante y levante la cubierta hacia la parte trasera de la cocina.
2. Retire la bombilla rotandola de su eje hacia afuera. Instale la nueva bombilla colocándola en su lugar y rodando hacia la parte delantera de la cocina.
3. Alinee el borde delantero de la cubierta de la luz con la extremidad de la cubierta. Baje la parte trasera de la cubierta en su lugar y ajustela hacia abajo.
4. Restablezca el suministro eléctrico a la fuente principal (o vuelva a conectar la cocina).

Para ajustar la temperatura del horno derecho, consulte la Guía de control del horno eléctrico.

Para reemplazar la bombilla del horno y/o la bombilla de la plancha de cocinar (si equipado)



Para ajustar la temperatura del horno derecho.

Cocción de convección

(algunos modelos)

NOTA: El ventilador de convección se apaga automáticamente cuando la puerta del horno se abre mientras que el horno está en el modo de convección y se termina cuando la puerta se halla cerrado de nuevo.

El horno de convección utiliza un ventilador y un elemento de convección en algunos modelos localizado en la parte de trasera del horno para que el aire caliente pueda circular alrededor de la comida que está siendo cocida. El modo de convección disminuye el tiempo de cocción. Permite que los alimentos guarden sus jugos y sabores naturales. Este método le permite de obtener los mejores resultados al hornear, descongelar, deshidratar y al rostizar las comidas.

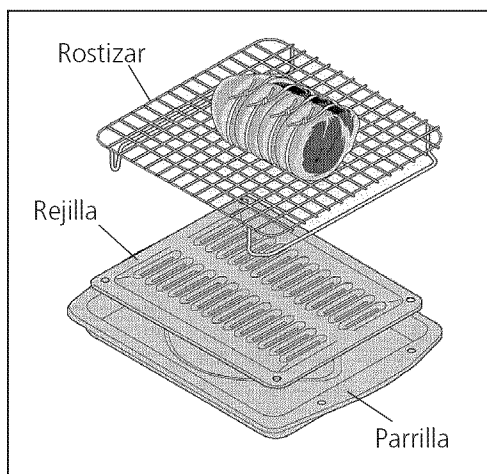
Notas sobre la convección:

1. Cocinar en grande cantidad es más conveniente y da mejores resultados.
2. Descongelar es más rápido en el modo de convección que comparado al cocido regular irradiante.
3. Recuerde de usar recetas con los tiempos ajustados para la convección hornear/rostizar. El tiempo de preparado deberá ser disminuido hasta de 30% cuando utilice este modo.
4. Para la temperatura y los ajustes, consulte la Guía de control del horno eléctrico.

Rostizados de convección

(algunos modelos)

Cuando rostice con la convección, utilice la parrilla y la rejilla y, el estante de rostizar. La parrilla recogerá la grasa que se derrame y la rejilla evitará las manchaste grasa. El estante de rostizar sostener la carne.


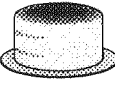
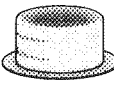
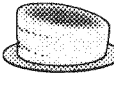
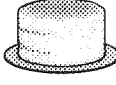


1. Coloque el estante del horno en la posición de abajo.
2. Coloque la rejilla en la parrilla. El estante de rostizar cabe en la rejilla y así permite que el aire caliente circule debajo de la comida para un cocido uniforme y aumenta el dorado de la parte inferior de la carne. Asegúrese que el estante de rostizar halla sido bien ajustado a la rejilla de la parrilla. NO utilice la parrilla sin la rejilla o sino cubra la rejilla con película de aluminio.
3. Para los ajustes de temperatura, consulte la Guía de control del horno eléctrico.

Para mejores resultados, caliente el horno antes de hornear galletas, panes, tortas, pasteles o dulces, etc. No necesita precalentar el horno para rostizar la carne o para cocer cacerolas.

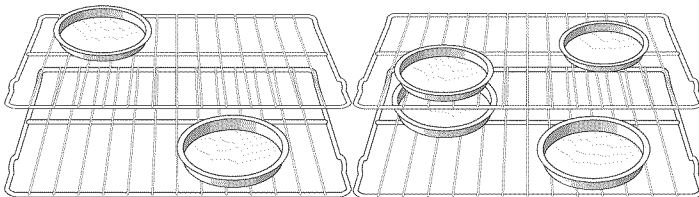
Horneado

Los tiempos de cocido y las temperaturas que se necesitan para hornear un producto pueden variar ligeramente de sus aparatos antiguos.

Problemas de horneado y tabla de soluciones		
Problemas	Causas	Corrección
<p>Las galletas se queman por encima</p> 	<ul style="list-style-type: none"> Las galletas han sido puestas en el horno antes que halla precalentado completamente. Muchas galletas en la rejilla del horno. El recipiente oscuro absorbe el calor muy rápido. 	<ul style="list-style-type: none"> Permita que el horno precaliente antes de colocar la comida. Elija sartenes que permitan 5.1cm a 10.2 cm (2"-4") de espacio por todos lados. Utilice una película de aluminio lijera.
<p>Los pasteles están muy negros por encima o debajo.</p> 	<ul style="list-style-type: none"> Los pasteles han sido puestas en el horno antes que halla precalentado completamente. La rejilla del horno está muy baja o muy alta. El horno muy caliente. 	<ul style="list-style-type: none"> Permita que el horno precaliente antes de colocar la comida. Posicione bien la rejilla del horno. Ajuste la temperatura a 25°F/12°C menos que lo recomendado.
<p>Los pasteles no están bien horneados en el centro.</p> 	<ul style="list-style-type: none"> El horno muy caliente. Recipiente de talla incorrecta. Recipiente no está en el centro del horno. 	<ul style="list-style-type: none"> Ajuste la temperatura a 25°F/12°C menos que lo recomendado. Use la talla del recipiente recomendada en la receta. Posicione bien la rejilla del horno y coloque el recipiente de tal manera que halla 5.1cm a 10.2 cm (2"-4") de espacio por todos lados.
<p>Los pasteles no están nivelados.</p> 	<ul style="list-style-type: none"> La estufa está desnivelada. El recipiente está muy cerca a la pared del horno o la rejilla muy llena. La rejilla está desnivelada. 	<ul style="list-style-type: none"> Coloque un vaso con agua en el centro del horno. Si el nivel del agua está desigual, consulte las instrucciones para nivelar el aparato. Asegúrese que halla 5.1cm a 10.2 cm (2"-4") de espacio por todos lados. No use recipientes que están desnivelados o endentados.
<p>La comida no está lista cuando el tiempo de cocción se termina.</p> 	<ul style="list-style-type: none"> El horno está muy frío. El horno está muy lleno. El horno se abre constantemente. 	<ul style="list-style-type: none"> Ajuste la temperatura a 25°F/12°C más que lo recomendado. Asegúrese de retirar todas las rejillas excepto las que va usar. Abra el horno solo después que el tiempo de cocción más corto halla terminado.

ESPAÑOL

Si usa múltiples recipientes, colóquelos como en la figura. Si usa un sólo recipiente, colóquelo en el centro del horno.



Circulación de aire en el horno

Para una mejor circulación de aire y mejores resultados al hornear, centre los recipientes lo más que pueda. Permita de 2" a 4" pulgadas (5-10cm) alrededor de los recipientes y asegúrese que estos no se toquen uno al otro, a la puerta, a los lados o a la parte trasera del horno. El aire caliente debe circular alrededor de los recipientes para que el calor se reparta uniformemente en todo el horno.

Rostizado

El rostizado es un método para cocer cortes finos de carne aplicando el calor directo debajo del elemento rostizador del horno.

Pre calentamiento

El pre calentamiento es sugerido cuando grilla pedazos de biftec (retire la parrilla antes de precalentar. La comida puede adherirse si es colocada en el metal caliente). Para precalentar, ajuste los controles del horno en BROIL como indica en la minutereros o en la guía electrónica de controles. Espere hasta que el elemento se ponga rojo, usualmente esto toma hasta 2 minutos. El pre calentamiento no es necesario para bien rostizar las carnes.



Para rostizar

Rostice por un lado hasta que la comida halla dorado; voltee y cosa la segunda parte. Sazone y sirva. Siempre tire la rejilla hacia afuera a la posición "parada" hasta el borde antes de voltear o de retirar la comida.

Para calcular el tiempo de rostizado

El tiempo de rostizado puede variar, verifique constantemente la comida. El tiempo no solo depende de la distancia a la cual se encuentra del elemento pero también del grosor y del corte de la carne, del contenido en grasa y de cuán cocida desee su carne. El primer lado necesita siempre unos minutos más que el otro lado. Las carnes congeladas también necesitan mucho más tiempo.

Trucos para rostizar

La parrilla y su rejilla permiten que la grasa gotee y esté lejos del calor intenso del rostizador.

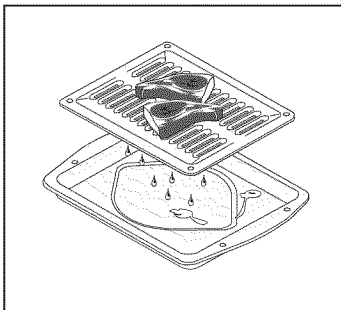
NO USE la parrilla sin su rejilla. **NO CUBRA** la rejilla de película de aluminio. La grasa que se queda puede encenderse.

AVISO Si un incendio ocurra, deje la puerta del horno cerrada y apáguelo. Si el fuego persiste, aplique soda cáustica sobre el fuego o use un extinguidor. **NO** eche agua ni harina sobre el fuego. La harina puede encenderse.

Siempre tire la rejilla hasta el borde antes de voltear o de retirar comida.

Trucos para la limpieza del rostizador:

- Para hacer la limpieza más fácil, cubra la parte de abajo de la parrilla de película de aluminio. **NO** cubra la rejilla de la parrilla con aluminio.
- Para evitar que la grasa se grille, retire la parrilla del horno tan pronto como termine de coser. Use guantes porque la parrilla está sumamente caliente. Deseche la grasa. Remoje el recipiente en agua caliente jabonosa.
- Limpie la parrilla tan pronto como termine de usarla. Si es necesario, use esponjas de metal. Si frota muy fuerte puede dañar la rejilla.

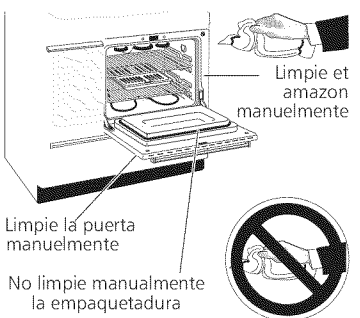
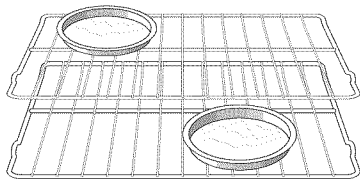


Limpieza de diferentes partes de su estufa

Antes de limpiar cualquier parte de la estufa, asegúrese que todos los controles están apagados y que la estufa está fría. Retire los derrames y las manchas difíciles tan pronto como pueda. La limpieza constante disminuirá el esfuerzo de una limpieza a fondo.

Limpieza general

Superficies	Como limpiarlas
Piezas de aluminio & vinílico	Use agua jabonosa y caliente con un paño. Seque con un paño limpio.
Panel de control	Antes de limpiar el panel de control, apague todos los controles y retire las perillas de control. Para retirarlas, tire la perilla de su eje. Limpie con agua caliente y jabonosa con un paño de vajilla. Asegúrese de escurrir toda el agua del paño antes de frotar el panel, sobre todo alrededor de los controles. Demasiada agua alrededor de los controles puede dañar el electrodoméstico. Para volver a colocar las perillas después de la limpieza, trate de alinear los lados planos de la perilla y del eje, luego empuje la perilla hasta su lugar.
Acero inoxidable (algunos modelos) Puerta del horno y panel frontal de la gaveta	Los limpiadores hechos exclusivamente para acero inoxidable como Stainless Steel Magic u otros son recomendados. Siempre siga las instrucciones del fabricante. Asegúrese de remojar los limpiadores puesto que hay manchas debidas al calor que no pueden ser retiradas.
Rejillas del horno	Retire las rejillas del horno. Vea "Retirando y volviendo a colocar las rejillas del horno" en Antes de ajustar los controles del horno . Use limpiadores abrasivos suaves según las instrucciones del fabricante. Enjuague con un paño mojado y deje secar. Después de limpiar las rejillas, frote los lados de las rejillas con papel encerado o un paño con un poco de aceite de bebé o para ensaladas (esto hace que las rejillas se deslicen mejor sobre los estantes).
Grilla incandescente (algunos modelos)	Para limpieza general, ponga en agua caliente y jabonosa por unos 10 minutos. Use un paño suave para retirar las manchas difíciles. Enjuague con un paño remojado y seco. NO use limpiadores abrasivos o esponjas de metal. Estos pueden raspar la estufa.
Plancha de cocinar en esmalte de porcelana, Debajo de plancha de cocinar, Parrilla y Pieza adjunta, Borde de la puerta, Pequeño horno	Rasque delicadamente con una esponja retirará la mayoría de las manchas. Enjuague con una mezcla de agua y amoníaco (1:1). Si es necesario, cubra las manchas con una toalla remojada de amoníaco por unos 30-40 minutos. Enjuague con agua y un paño mojado y luego frote con una esponja jabonosa. Enjuague y seque con un paño limpio. Retire todo limpiador o sino la porcelana puede dañarse cuando vuelva a calentar la estufa en el futuro. NO use los limpiadores con vaporizador sobre la plancha de cocinar.
Puerta del horno	Para limpiar la puerta del horno, use agua jabonosa caliente y un paño limpio. No sumerja la puerta en el agua. No limpie la empaquetadura de la puerta del horno. La empaquetadura del horno está fabricada con un material trenzado importante para un buen sellado. Tenga cuidado de no frotar, dañar o desplazar la empaquetadura.



ESPAÑOL

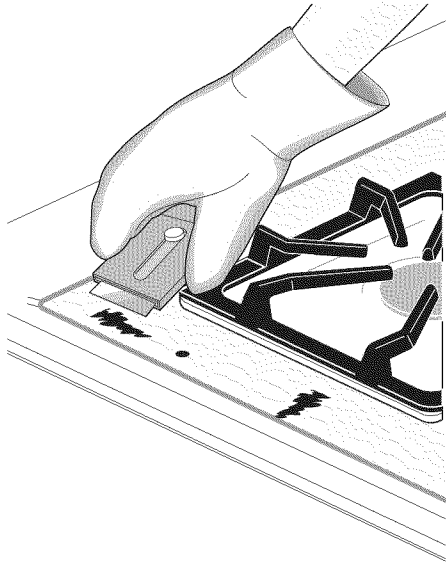
Limpieza general

CARACTERÍSTICAS BREVES

- Limpieza de la plancha de cocinar

ESTA PLANCHA DE COCINAR NO SE PUEDE RETIRAR. No intente retirar o levantar la plancha de cocinar.

Los grandes derrames quemados pueden ser retirados con un raspador. Hágalo con cuidado para no maltratar la superficie.



Para limpiar la plancha de cocinar

La estufa está diseñada de tal manera que es fácil limpiarla. Como los quemadores están sellados, es fácil limpiarlos cuando ocurran derramamientos que se limpian de inmediato. Para limpiar, use un paño limpio, húmedo y frote hasta que quede seco.

La limpieza adecuada y consistente es esencial para el mantenimiento de la cubierta de vidrio resistente al calor. Hay que limpiar tanto derramamientos como salpicadura con una toalla de papel limpia y agua jabonosa. Hay que hacer esto tan pronto como haya ocurrido el derramamiento, después de que se haya terminado de cocinar, o al menos antes de usar la estufa de nuevo. Sea precavido ya que la estufa está caliente. En el caso de derramamientos persistentes, material salpicado o que se ha quemado hasta secarse, use un raspador de navaja. Sostenga el raspador a un ángulo de 30° y quite la salpicadura de comida o los residuos de comida quemada.

Termine el procedimiento de limpieza aplicado una crema recomendada para limpiar estufas de vidrio resistentes al calor. Aplique este limpiador con una toalla de papel limpia y humedecida. Enjuáguela con una toalla de papel humedecida con agua limpia y después séquela. Tenga cuidado de frotar la estufa completamente para que después no se vaya a calentar ningún residuo del limpiador.

⚠ ADVERTENCIA NO utilice el limpiador cuando la superficie de la plancha de cocinar está caliente. Las emanaciones pueden ser peligrosas para su salud, y además pueden dañar la superficie del aparato. Asegúrese que los controles están en la posición **OFF** (apagado). No utilice limpiadores de horno de marca comercial en ninguna parte de su plancha de cocinar. Su aparato podría resultar dañado.

NO USE ninguno de los productos siguientes en la cubierta de vidrio resistente al calor:

1. Almohadillas de limpiar abrasivas hechas de plástico, nilón, o de metal. Podrían rayar la superficie de la estufa y dificultar después su limpieza. Siempre use una toalla de papel nueva y limpia, cuando limpie la cubierta de vidrio resistente al calor.
2. Ninguna cosa que se pueda derretir (objetos de plástico, hojas de aluminio, azúcar o comida que tenga un alto contenido de azúcar).
3. Limpiadores fuertes, o productos para quitar la oxidación o las manchas.
4. Blanqueadores a base de cloro, amoníaco, ácido hidrofúrico o cualquier otro tipo de limpiadores químicos. Estos productos podrían rayar o descolorar la estufa.
5. Esponjas, paños o toallas para secar losa. Siempre use una toalla de papel limpia y nueva cuando limpie la estufa. Tanto la pelusa o la suciedad que queden sobre la cubierta después de haber pasado un paño o una esponja sobre ella podría quemarse y provocar decoloración.

Para limpiar las parrillas, las calderas contorneadas, las tapas y la basa del quemador.

Las parrillas, las calderas contorneadas, la tapa y la basa del quemador deben ser limpiadas continuamente. Manteniendo los orificios del quemador previene un encendido inadecuado y una llama desigual.

Siga las instrucciones siguientes.

Para limpiar las calderas contorneadas del quemador.

Las calderas del quemador están unidas a la plancha de cocinar y son fijas. La caldera del quemador forma una depresión alrededor de cada quemador. Si un derrame ocurre en una de estas áreas, secar con un paño absorbente. Enjuague con un paño remojado, limpio y seque completamente.

Para limpiar las parrillas.

Asegúrese que los quemadores y las parrillas estén enfriados antes de colocar su mano, un soporte, paños de limpieza u otro material sobre ellos. Las calderas de fierro pueden ser lavadas en una lavadora de vajilla o en agua caliente jabonosa. Enjuague a fondo y seque las parrillas con un paño. No las coloque sobre la plancha de cocinar mientras que estén mojadas. Asegúrese que las parrillas estén en buena posición sobre los quemadores.

Para retirar comida quemada, coloque las parrillas en un recipiente con tapa o en una bolsa plástica. Añada 1/4 de taza de amoníaco y remoje por 30 minutos. Lave, enjuague bien y seque. Un limpiador con poder abrasivo puede ser utilizado para las manchas difíciles.

Para limpiar la tapa del quemador

Retire la tapa del quemador. Utilice un tampon refregado con jabón o un abrasivo ligero para limpiar las tapas del quemador. Si es necesario, recubra las manchas difíciles con una toalla de papel remojada con amoníaco por 30 minutos. Frote delicadamente con un tampon refregado en jabón y enjuague con una mezcla de agua y vinagre. Seque completamente. Retire todo limpiador o la porcelana podría ser dañada cuando vuelva a ser calentada.

Para limpiar la base amovible del quemador y la apertura de gas.

Los orificios alrededor de la base del quemador deben ser limpiados continuamente. Utilice una esponja de alambres o una aguja para limpiar pequeñas ranuras o agujeros. Tenga cuidado de no dañar el electrodo. Si un paño de limpieza llega a tocar el electrodo, éste se puede romper o dañar. Si el electrodo es dañado o roto, el quemador no podrá ser encendido porque no habrá chispa. El encendido manual con un cerillo puede ser posible.

Para un flujo de gas y un encendido adecuados - NO PERMITA QUE DERRAMES DE LIQUIDOS, COMIDA, LIMPIADORES O CUALQUIER OTRO MATERIAL ENTREN EN LA APERTURA DEL GAS. El gas debe pasar libremente a través del pequeño orificio de los quemadores para poder encenderlos. Si el orificio del gas se obstruye, utilice una pequeña esponja de alambres o una aguja para limpiarlo. SIEMPRE tenga la tapa del quemador en su lugar cuando utilice cualquiera de los quemadores.

Limpieza general

CARACTERÍSTICAS BREVES

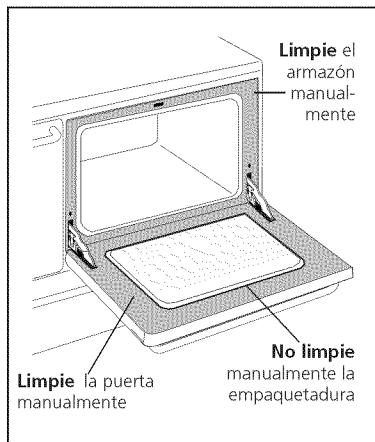
- Limpieza de la plancha de cocinar

Limpieza general

CARACTERÍSTICAS

BREVES

- Limpiando el horno auto-limpiable
- Ajuste de los controles para el ciclo de auto-limpieza



Limpiando el horno auto-limpiable

Tenga las siguientes precauciones:

- Deje enfriar el horno antes de limpiarlo.
- Use guantes cuando limpie toda parte externa del horno manualmente.

⚠ AVISO Durante el ciclo de auto-limpieza, la parte exterior de la pared puede estar muy caliente. NO deje a los niños cerca del aparato. Un dispositivo de ventilación se pone en marcha automáticamente. Es normal que el aire caliente se salga por la parte delantera del aparato.

⚠ AVISO Antes de limpiar cualquier parte del horno, asegúrese que el horno esté apagado o sino pulse el botón CANCELAR. Espere hasta que el horno se enfríe.

⚠ AVISO La salud de algunos pájaros está muy sensitiva a los humos que proveen del ciclo de auto-limpieza de cualquier cocina. Desplace los pájaros en otra habitación bien ventilada.

NO use ningún tipo de limpiador comercial o de capas protectoras para hornos, dentro o en alguna parte del horno auto-limpiable. NO limpie la empaquetadora de la puerta del horno. Ésta es muy importante para que la puerta cierre adecuadamente. Tenga cuidado de no frotar, dañar o mover la empaquetadora. NO use película de aluminio para cubrir la base del horno. Esto puede afectar la cocción o la película podría derretirse y dañar la superficie del horno.

Un horno auto-limpiable se limpia solo a altas temperaturas (más altas que las temperaturas de cocción normales), lo cual elimina las manchas y las convierte en polvo que Ud. puede limpiar con un paño mojado.

Preparando el horno para la auto-limpieza.

1. Retire cualquier derrame antes de comenzar el ciclo de auto-limpieza. Para limpiar, utilice agua caliente jabonosa y un paño. Los derrames grandes pueden ocasionar mucho vapor o un incendio al hacer contacto con altas temperaturas. NO permita que los derrames de azúcar o de ácidos (como tomates, jugos de frutas o los rellenos de pasteles) se queden en la superficie puesto que dejan una mancha aunque se halla limpiado.
2. Limpie todo polvo del borde del horno o de la puerta (vea la ilustración). Estas áreas se calientan lo suficiente para producir un polvillo. Limpie con agua y jabón.
3. Retire la parrilla y la pieza adjunta, todos los recipientes y toda película. Estos objetos no resisten las altas temperaturas.
4. Las rejillas del horno deben dejarse dentro del horno o pueden ser retiradas. Si se dejan durante el ciclo de auto-limpieza, su color se opacará un poco. Después que el ciclo se halla terminado y que el horno halla enfriado, frote los lados o las rejillas con papel encerado o un paño con aceite de bebé o para ensalada. Esto hará que la rejilla se deslice más fácilmente.

Que esperar durante la limpieza

Mientras que el horno está en operación, el horno se calienta a temperaturas más altas que las temperaturas de cocción normales. Los sonidos de contracción y de expansión del metal son normales. Los olores son también normales puesto que las manchas están siendo retiradas. Un poco de vapor puede observarse por el conducto de aire que se encuentra encima del panel de control.

Si las manchas causadas por derrames mayores no están frotadas antes de la limpieza, estos pueden encenderse y producir más vapor y olor que lo normal. Esto es normal y no debe causar pánico. Si es necesario, utilice un ventilador durante el ciclo de auto.limpieza.

NOTA: Un eliminador de vapor en el horno convierte la mayoría de las manchas en un vapor incoloro.

Ajuste de los controles para el ciclo de auto-limpieza

Para ajustar los controles para el ciclo de auto-limpieza, consulte la Guía de control del horno eléctrico.

Limpeza del horno de esmalte de porcelana (si equipado).

La porcelana tiene un terminado muy delicado y es un tipo de vidrio mezclado con metal. Los limpiadores de horno pueden ser utilizados en todas las partes interiores del horno.

Limpeza general.

Retire las manchas usando agua caliente y jabonosa. No permita que derrames de comidas con alto contenido en azúcar o en ácido (como leche, tomates, chucruta, jugos de fruta o rellenos de pastel) queden en la superficie pues estos pueden causar manchas oscuras aún después de la limpeza.

Para retirar manchas difíciles.

1. Deje un plato con amoníaco dentro del horno toda la noche o por unas horas con la puerta del horno cerrada. Limpie manchas más fáciles con agua caliente y jabonosa. Enjuague bien con agua y un paño limpio.
2. Si las manchas perduran, utilice una esponja o un limpiador no abrasivo. Si es necesario, use un limpiador de horno de acuerdo a las instrucciones del fabricante. **NO** mezcle el amoníaco con otros productos de limpeza.

Tenga en cuenta las siguientes instrucciones cuando utilice los limpiadores de horno.

1. **NO** pulverice sobre los controles eléctricos o interruptores porque esto podría causar un corto-circuito y producir chispas o un fuego.
2. **NO** permita que una película de limpiador se forme sobre la bombilla sensor de temperatura, esto puede hacer que el horno se caliente de manera inapropiada. (La bombilla se encuentra en la parte trasera del horno). Limpie cuidadosamente todo residuo sobre la bombilla después de cada limpeza, asegurándose de no mover la bombilla). Si mueve la bombilla, el horneado podría estar afectado. Evite de doblar la bombilla o el capilar.
3. **NO** pulverice ningún tipo de limpiador en el borde de la puerta o en la empaquetadora, en los tiradores o en cualquier otra area externa de la cocina, en la madera o areas pintadas. El limpiador puede dañar estas areas.

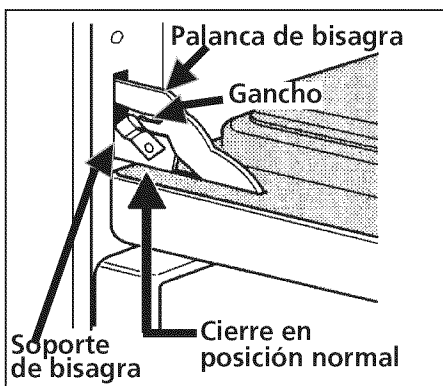
Para limpiar la base del horno.

Limpie con agua caliente y jabonosa, un limpiador poco abrasivo, un paño abrasivo jabonoso o limpiador de horno de acuerdo a las instrucciones del fabricante.

⚠ AVISO **NO** forre las paredes del horno, la base, los carriles u cualquiera otra parte del aparato con película de aluminio. El hacer esto puede destruir la distribución de calor, producir pobres resultados al hornear y causar un daño permanente al interior del horno (la película de aluminio se derretirá al contacto con las areas internas del horno).

Para retirar y reemplazar la puerta del horno

1. Abra la puerta del horno completamente.
2. Tire hacia arriba del tope situado en cada soporte de la bisagra y enganchelo en el gancho de las palancas de la bisagra. Es posible que tenga que hacer un poco de presión hacia abajo sobre la puerta, para sacar los topes totalmente fuera de los ganchos.
3. Agarre la puerta por ambos lados, tire la parte de abajo de la puerta hacia arriba y hacia usted, para desenganchar los soportes de las bisagras. Continúe a tirar la parte de abajo de la puerta hacia usted, girando la parte superior de la puerta hacia la cocina para desenganchar completamente las palancas de la bisagra .
4. Vuelva a empezar las etapas precedentes en el sentido inverso para reponer la puerta.



Limpeza general CARACTERISTICAS BREVES

- Limpeza del horno (Horno izquierdo)
- Para retirar y reemplazar la puerta del horno

Siga las siguientes precauciones de limpeza

- Permita que el horno enfrie antes de limpiarlo.
- Use guantes de caucho cuando limpie el aparato manualmente.

RETIRE LOS DERRAMES Y LAS MANCHAS DIFÍCILES LO MÁS PRONTO POSIBLE. LA LIMPEZA REGULAR DISMINUIRÁ LA NECESIDAD DE LIMPEZAS A FONDO MÁS ADELANTE DESPUÉS.

⚠ AVISO El amoníaco debe ser retirado antes de empezar a utilizar el horno. Trate ventilar adecuadamente.

Para retirar la puerta

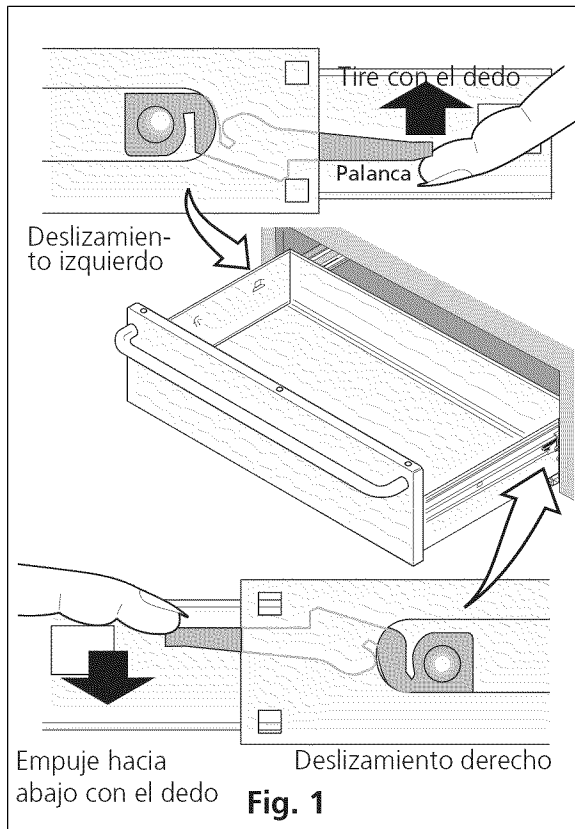
⚠ AVISO La puerta está pesada. Para seguro, temporal almacenamiento, ponga la puerta sobre una superficie plana con la parte interior de la puerta sobre la superficie.

Limpieza general

CARACTERÍSTICAS

BREVES

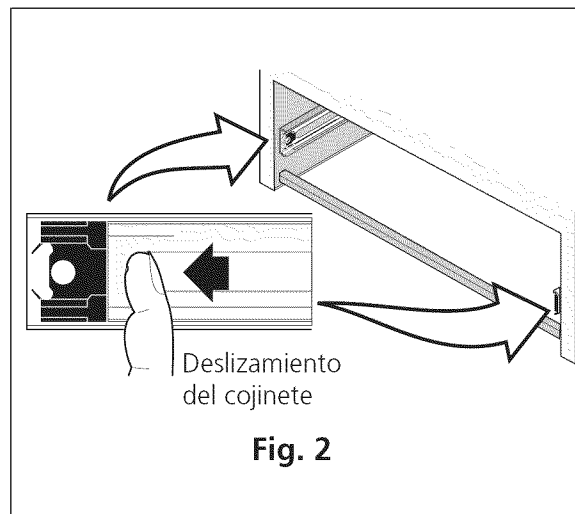
- Para retirar y remplazar la gaveta de entibiar



Para retirar y remplazar la gaveta de entibiar

Para retirar la gaveta de entibiar:

1. Abra la gaveta completamente.
2. Coloque la palanca del deslizamiento en cada lado de la gaveta; tire hacia arriba sobre la palanca del deslizamiento izquierdo y empuje hacia abajo sobre la palanca del deslizamiento derecho (ver figura 1).
3. Tire la gaveta hacia afuera de la estufa.



Para remplazar la gaveta de almacenamiento:

1. Tire los deslizamientos del cojinete hacia la parte delantera de la estufa (ver figura 2).
 2. Alinee los deslizamientos de la gaveta con las ranuras sobre los deslizamientos del cojinete.
 3. Deslice la gaveta en la estufa hasta que escuchará el sonido de un "click" de las palancas de los deslizamientos (aproximadamente 2 pulgadas). Vuelva a tirar la gaveta para abrirla y apoyarla en su sitio.
- Si no escucha al "click" de la palanca de los deslizamientos o si la gaveta no se apoya firmemente, remuevala y vuelva a empezar las etapas 1 a 3. De esta manera reducirá al mínimo los daños a los deslizamientos del cojinete. No use fuerza para colocar la gaveta en su sitio.

Usted puede evitarse el inconveniente y los gastos de una llamada innecesaria al servicio revisando esta lista de verificación. Ésta lista muestra los problemas más frecuentes que no son la causa de un fabricado defectuoso de las piezas.

Usted será facturado por la llamada de servicio, durante el tiempo que cubre la garantía, si el problema no es la causa del fabricado defectuoso de una pieza.

Su nuevo aparato ha sido diseñado cuidadosamente. Muchas veces, lo que parece necesitar una llamada al Centro de servicio se puede arreglar con algunos ajustes que Ud mismo puede hacer en su domicilio o son características normales de funcionamiento de su aparato en ciertas condiciones.

Lista de verificación para evitar llamadas

SITUACIÓN

POSIBLE CAUSA/SOLUCIÓN

La estufa está desnivelada.

Instalación inadecuada. Coloque la rejilla en el centro del horno. Coloque un nivel sobre la rejilla. Ajuste las patas niveladoras en la base de la estufa hasta que la rejilla se nivele. Cuando la estufa está nivelada, la plancha de cocinar puede aparecer desnivelada si la plancha de cocinar no está nivelada.

Piso no sólido, inestable. Asegúrese que el piso está nivelado y que puede soportar la cocina. Llame a su carpintero para corregir un piso inclinado.

El desnivel del armario de la estufa puede hacer aparecer la estufa desnivelada. Asegúrese que los armarios están cuadrados y tienen suficiente espacio para la cocina.

No puede mover el aparato fácilmente. El aparato no puede ser accesible fácilmente.

Los armarios no son cuadrados o son fabricados muy angostos. Consulte a un carpintero para corregir el problema.

Consulte a un carpintero para hacer el aparato más accesible.

Las alfombras interfieren con la cocina. Deje suficientemente de espacio para que la estufa pueda ser levantada sobre la alfombrar.

La estufa completa o el horno no funcionan.

Asegúrese que el cable este bien ajustado en el enchufe.

El alambreado no ha sido terminado. Consulte con su agente de servicio, agente de instalación o servicio autorizado.

Corte de electricidad. Verifique las luces de la casa para asegurarse. Llame a su compañía de electricidad local para el servicio.

***El control del horno suena y en la pantalla aparece F1, F3 o F9.**

El control electrónico ha detectado una anomalía. Pulse CLEAR para borrar la pantalla y parar el sonido. Re programe el horno. Si la anomalía se repite, tome nota del número de anomalía. Pulse CLEAR y consulte un servicio autorizado.

La luz del horno no funciona.

Coloque o ajuste la bombilla. Vea "Cambio de la luz del horno" en el Manual del usuario para las instrucciones.

La unidad de superficie no calienta.

No hay suministro eléctrico al aparato. Verifique las etapas en "La estufa completa o el horno no funcionan" que se encuentra en esta lista.

Programado de los controles inadecuado. Asegúrese que el control adecuado este encendido para que pueda usar la unidad de superficie.

Los quemadores no encienden.

La perilla de superficie no ha sido completamente encendida hacia LITE. Presión y gire la perilla de superficie hasta LITE (hasta que el quemador se encienda) y luego gire hasta obtener la talla de la llama que desea.

Los orificios del quemador están obstruidos. Limpie los quemadores. Vea "Para limpiar las depresiones, la tapa, la caldera y la base del quemador" en Limpieza General. Con el quemador apagado, limpie los orificios con una esponja de alambros o una aguja.

El suministro de gas está cerrado. Abierta al suministro de gas.

El quemador tiene la mitad de la llama.	<p>Los orificios del quemador están obstruidos. Con el quemador apagado, limpie los orificios utilizando una esponja de alambres o una aguja.</p> <hr/> <p>La humedad está presente después de la limpieza. Sople la llama lentamente y permita que el quemador funcione hasta que la llama esté completa. Seque los quemadores a fondo de acuerdo a las instrucciones de la sección "Limpieza General".</p>
La llama del quemador es anaranjada.	<p>Partículas de polvo en la línea principal. Permita que el quemador funcione por unos minutos hasta que la llama se ponga azul.</p> <hr/> <p>Aire salado en las zonas de la costa. Una ligera llama anaranjada es inevitable.</p>
Malos resultados al hornear.	<p>Muchos factores afectan el horneado. Asegúrese que la rejilla está en buen lugar. Centre la comida y deje espacio para permitir al aire de circular. Precaliente el horno a la temperatura deseada antes de colocar la comida. Trate de ajustar las temperaturas recomendadas y el tiempo de horneado de sus recetas. Si cree que el horno está muy caliente o muy frío, vea "Ajuste de la temperatura del horno" en el Manual del usuario.</p>
Llamas desde el interior del horno o vapor de la rejilla de ventilación.	<p>Derrames excesivos dentro del horno. Ajuste el ciclo de auto limpieza por un tiempo más largo.</p> <hr/> <p>Derrames excesivos dentro del horno. Esto es normal, especialmente para los pasteles o grasas en la base del horno. Limpie los derrames excesivos antes de comenzar la auto-limpieza. Si observa llamas o vapor, pare el ciclo de autolimpieza y siga las etapas en "Para parar o interrumpir el ciclo de auto-limpieza" en Guía de control del horno electrónico</p>
El horno produce demasiado vapor al asar.	<p>Los controles no están programados adecuadamente. Siga las instrucciones en "Ajuste de los controles del horno" en "Guía de control del horno electrónico".</p> <hr/> <p>Asegúrese que el horno está abierto a la Posición de parar el asado.</p> <hr/> <p>Las carnes están muy cerca del elemento del asador. Vuelva a colocar la rejilla para obtener un espacio suficiente entre las carnes y el elemento. Precaliente el elemento del asador para cocinar con la grilla incandescente.</p> <hr/> <p>La rejilla en la parrilla tiene el lado incorrecto hacia arriba y la grasa no está goteando. Siempre coloque la rejilla sobre la parrilla con las varillas hacia arriba y las ranuras hacia abajo para que la grasa gotee en el recipiente.</p> <hr/> <p>Grasa se ha acumulado sobre la superficie del horno. La limpieza frecuente es necesaria cuando asa constantemente. Grasa que se queda impregnada o manchas de comida pueden causar vapor excesivo.</p>
El ciclo de auto-limpieza no funciona.	<p>Los controles no están programados adecuadamente. Siga las instrucciones en "Limpieza del horno" en "Guía de control del horno electrónico".</p> <hr/> <p>El ciclo de limpieza fue interrumpido. El tiempo de termino debe ser de 3 a 4 horas después de haber comenzado. Siga las etapas en "Para parar o interrumpir el ciclo de auto-limpieza" en "Guía de control del horno electrónico".</p>
Las manchas no han sido retiradas después del ciclo de auto-limpieza.	<p>No ha limpiado la base, la parte superior, el cadre o la puerta al exterior de la empaquetadora del horno. Estas áreas no son limpiadas por el ciclo de auto-limpieza, pero se calientan lo suficiente para crear residuos. Limpie estas partes antes de comenzar un nuevo ciclo de auto-limpieza. Los residuos pueden ser limpiados con un paño de nylon y agua o con una esponja de nylon. Tenga cuidado de no dañar la empaquetadora del horno.</p>

