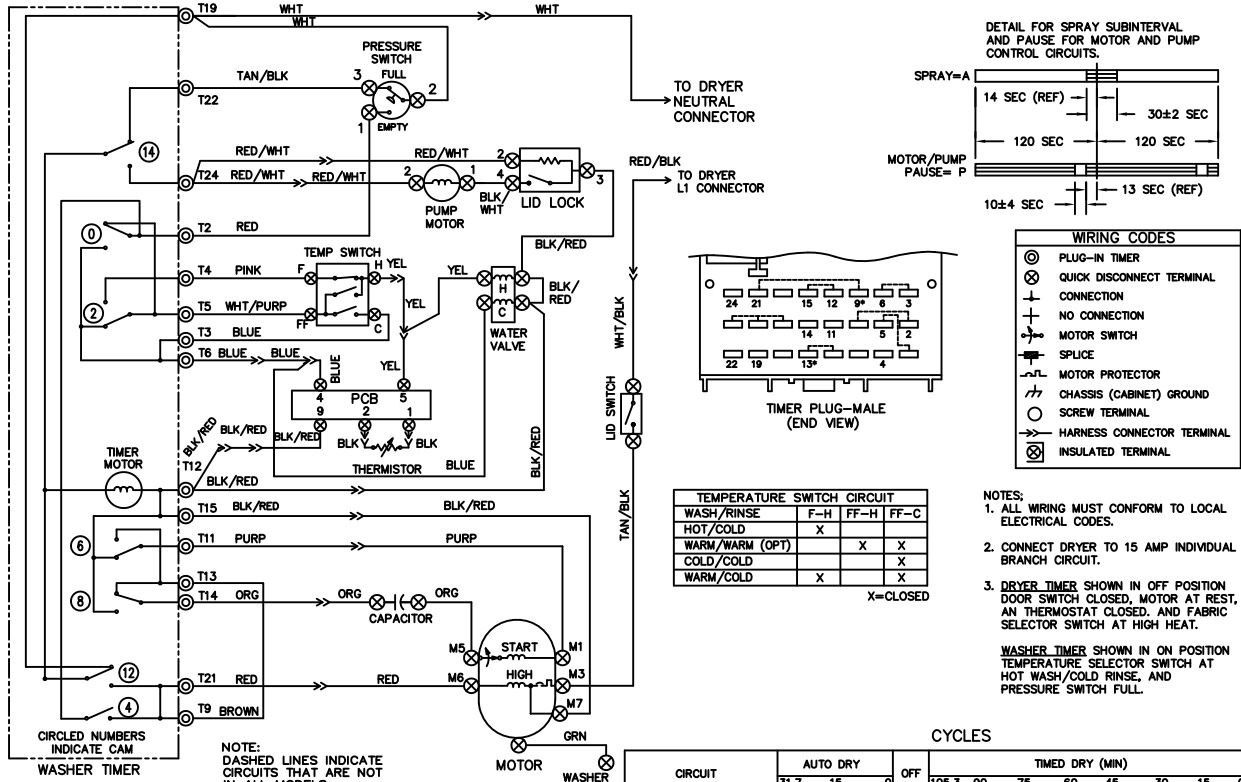
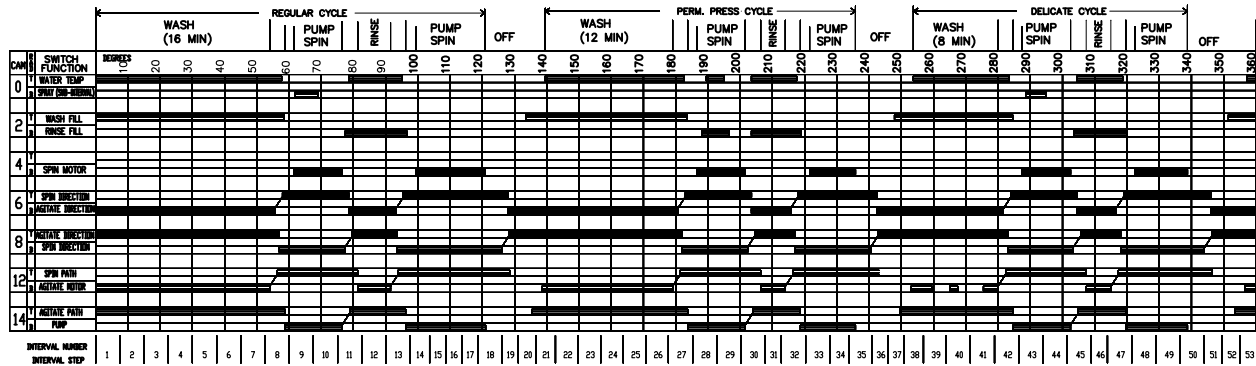
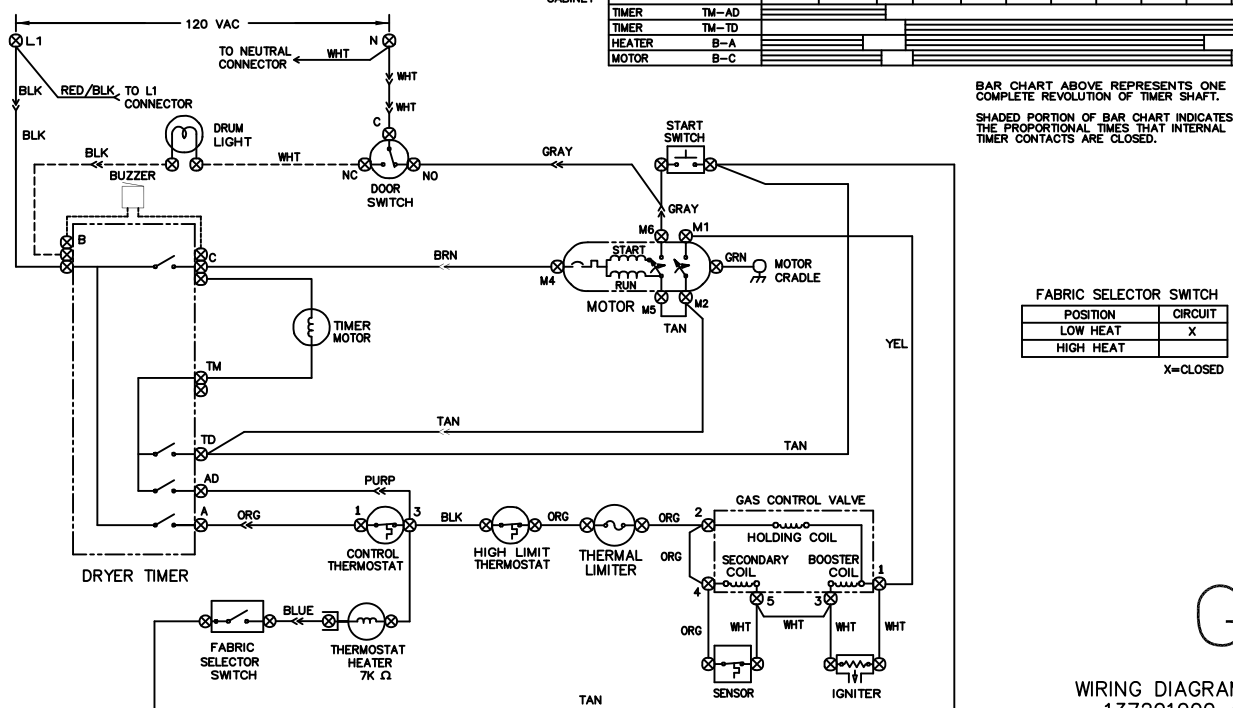


CAUTION: DISCONNECT ELECTRIC CURRENT BEFORE SERVICING. LABEL ALL WIRES PRIOR TO DISCONNECTION WHEN SERVICING CONTROLS. WIRING ERRORS CAN CAUSE IMPROPER AND DANGEROUS OPERATION. VERIFY PROPER OPERATION AFTER SERVICING.



CYCLES

CIRCUIT	AUTO DRY			TIMED DRY (MIN)						OFF	
	31.7	15	0	105.3	90	75	60	45	30		15
TIMER	TM-AD										
TIMER	TM-TD										
HEATER	B-A										
MOTOR	B-C										



BAR CHART ABOVE REPRESENTS ONE COMPLETE REVOLUTION OF TIMER SHAFT. SHADED PORTION OF BAR CHART INDICATES THE PROPORTIONAL TIMES THAT INTERNAL TIMER CONTACTS ARE CLOSED.